



US00D865452S

(12) **United States Design Patent** (10) **Patent No.:** **US D865,452 S**
Hertaus et al. (45) **Date of Patent:** **** Nov. 5, 2019**

(54) **COUNTERTOP APPLIANCE ROLLING TRAY**

(71) Applicant: **Nifty Home Products Inc.**, Madison Lake, MN (US)

(72) Inventors: **Todd Hertaus**, New Market, MN (US);
Nick Teigland, Mankato, MN (US);
Pamela M. Jagdfeld, Madison Lake, MN (US)

(73) Assignee: **Nifty Home Products Inc.**, Madison Lake, MN (US)

(**) Term: **15 Years**

(21) Appl. No.: **29/630,371**

(22) Filed: **Dec. 20, 2017**

(51) **LOC (12) Cl.** **07-01**

(52) **U.S. Cl.**
USPC **D7/554.3**

(58) **Field of Classification Search**
USPC D7/550.1, 554.3, 554.4, 560, 601-602,
D7/354-355, 367, 409
CPC A47G 23/04; B65D 23/00; B65D 25/00;
A47J 33/00; A47J 36/26; A47J 37/06;
A47J 43/18; A47J 47/14
See application file for complete search history.

(56) **References Cited**

U.S. PATENT DOCUMENTS

D382,445 S	*	8/1997	Indekeu	D7/545
D405,646 S	*	2/1999	Indekeu	D28/73
D434,606 S	*	12/2000	Reames	D7/552.1
D480,814 S	*	10/2003	Lafferty	D24/216
D503,066 S	*	3/2005	Militi	D7/359

D548,004 S	*	8/2007	Orr, Jr.	D7/390
D548,357 S	*	8/2007	Barbera-Guillem	D24/216
D696,541 S	*	12/2013	Puksta	D6/706
D706,447 S	*	6/2014	Brossette	D24/227
D800,577 S	*	10/2017	Matos Rodriguez	D9/762
D805,399 S	*	12/2017	Torchin	D9/737
D833,201 S	*	11/2018	Lee	D7/352
D836,989 S	*	1/2019	Tang	D7/553.2
D841,401 S	*	2/2019	Jones	D7/554.3
2019/0075947 A1	*	3/2019	Bushue	A47G 1/1653

* cited by examiner

Primary Examiner — Kelley A Donnelly

(74) *Attorney, Agent, or Firm* — Moss & Barnett;
Michael A. Bondi

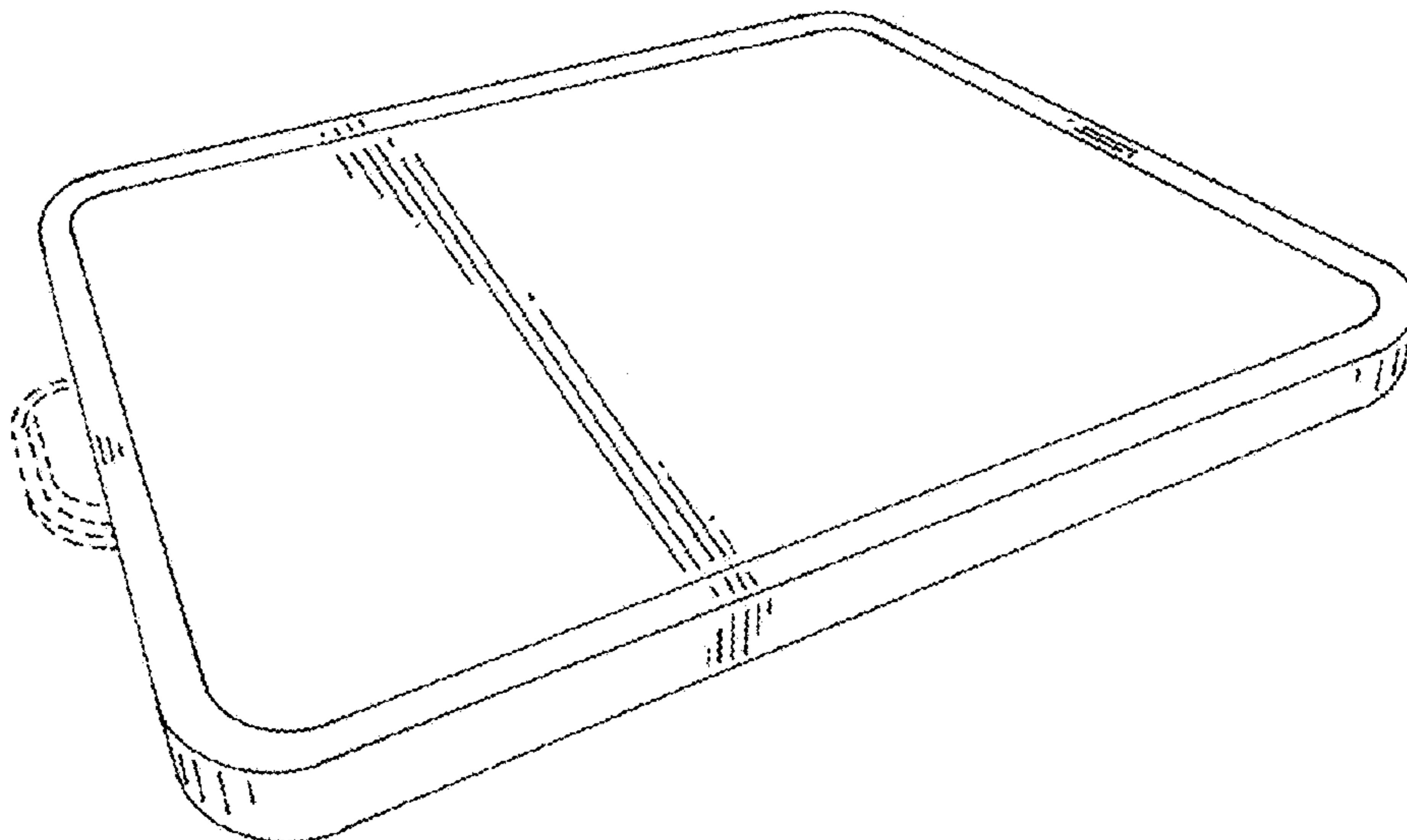
(57) **CLAIM**

The ornamental design for a countertop appliance rolling tray, as shown and described.

DESCRIPTION

FIG. 1 is a perspective view of the countertop appliance rolling tray;
 FIG. 2 is a top view of the countertop appliance rolling tray;
 FIG. 3 is a bottom view of the countertop appliance rolling tray;
 FIG. 4 is a front view of the countertop appliance rolling tray;
 FIG. 5 is a back view of the countertop appliance rolling tray;
 FIG. 6 is a first side view of the countertop appliance rolling tray; and,
 FIG. 7 is a second side view of the countertop appliance rolling tray.

1 Claim, 4 Drawing Sheets



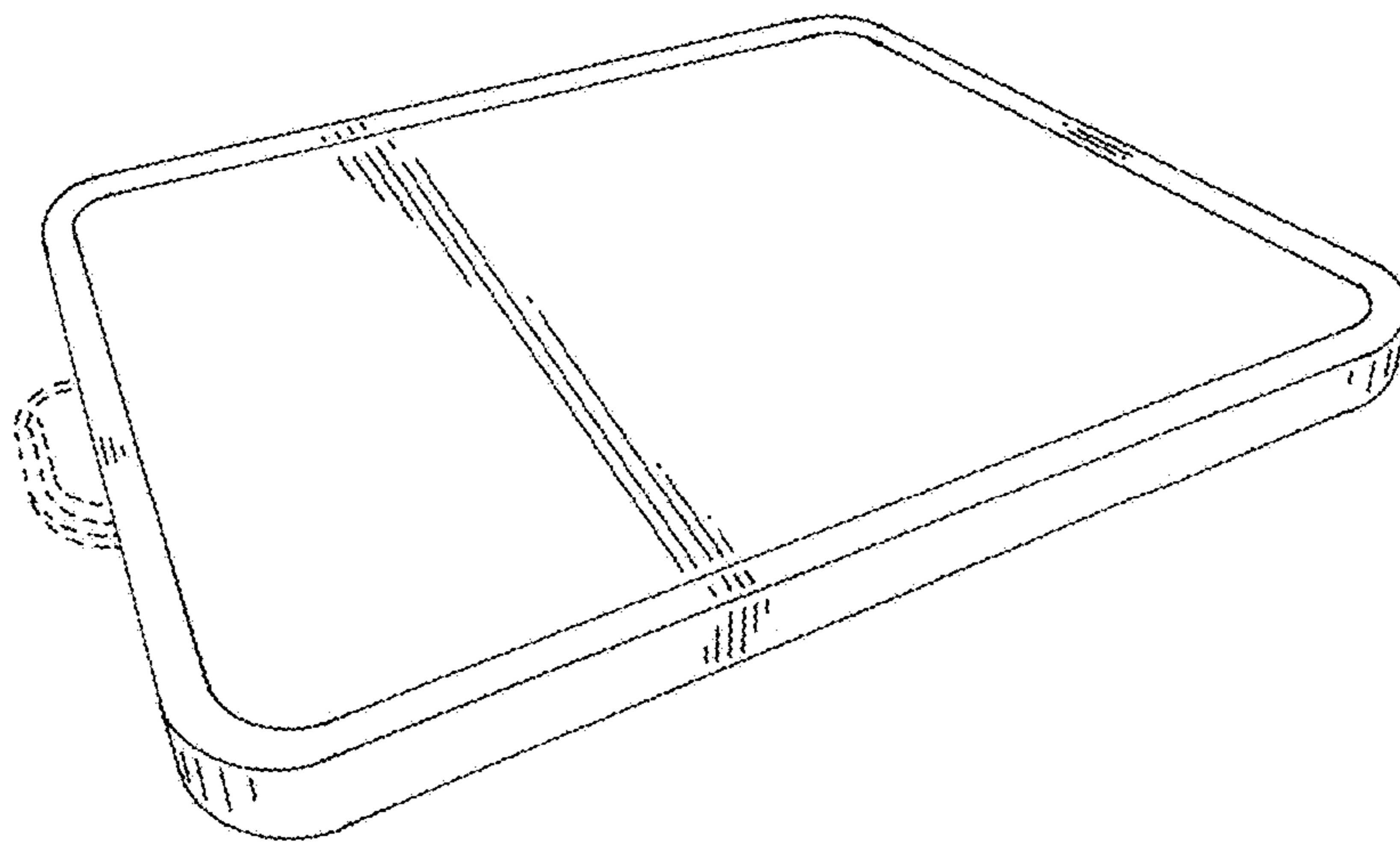


FIG. 1

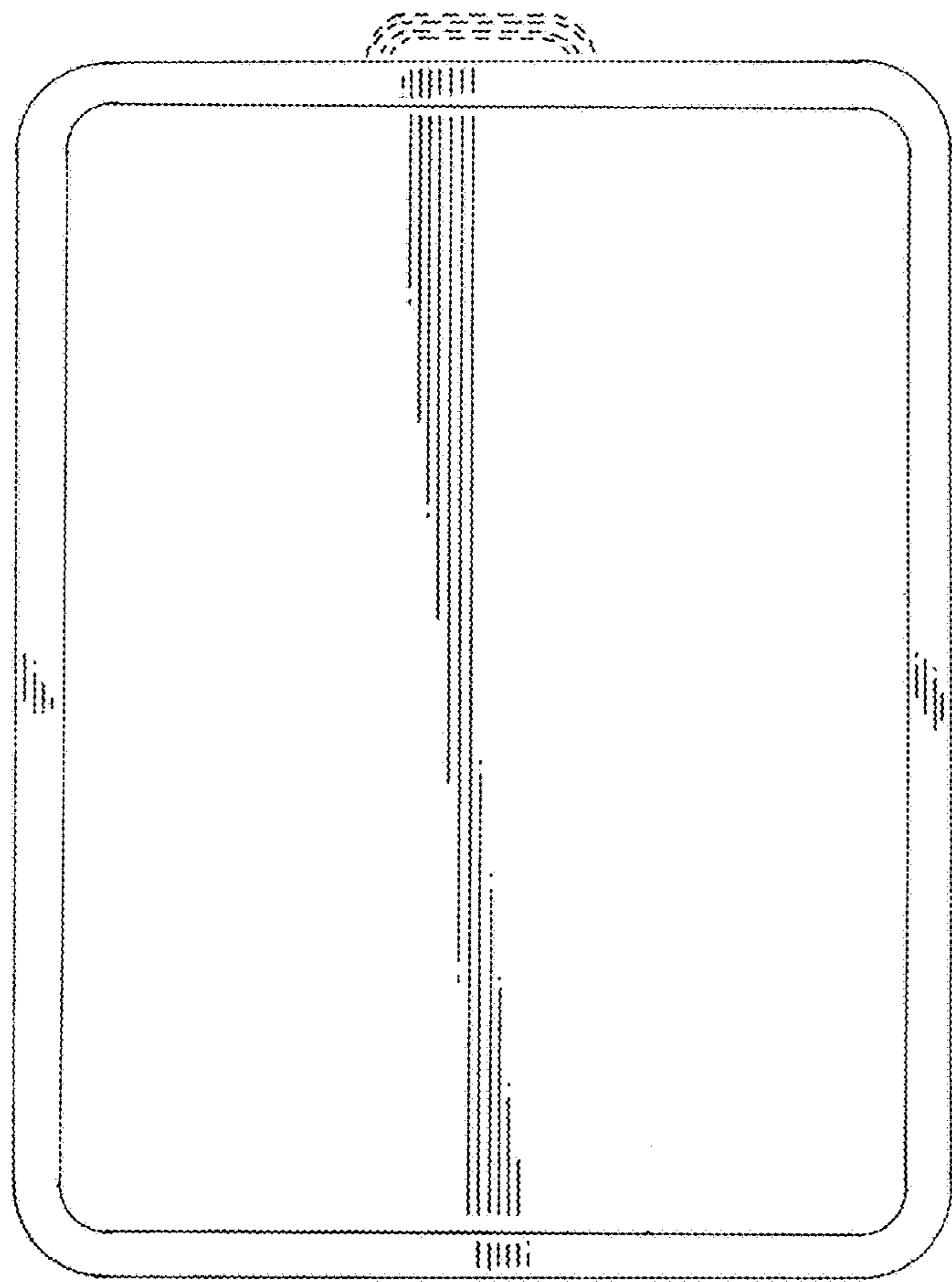


FIG. 2

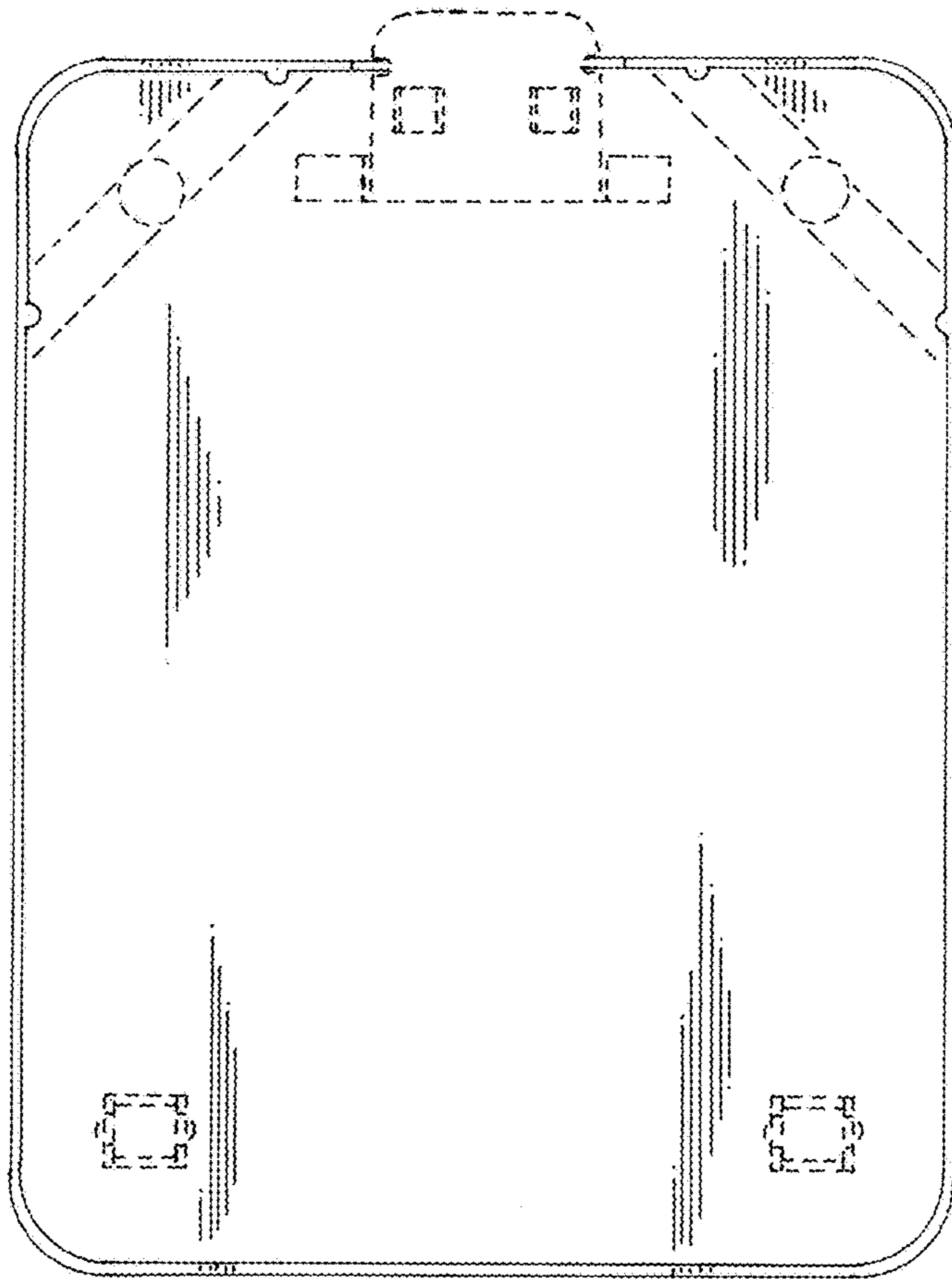


FIG. 3

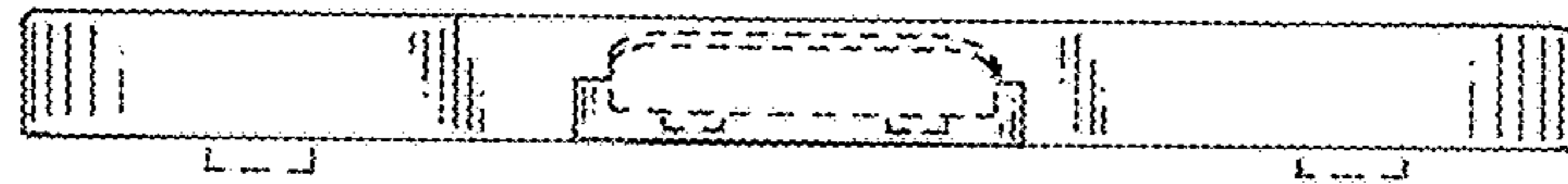


FIG. 4

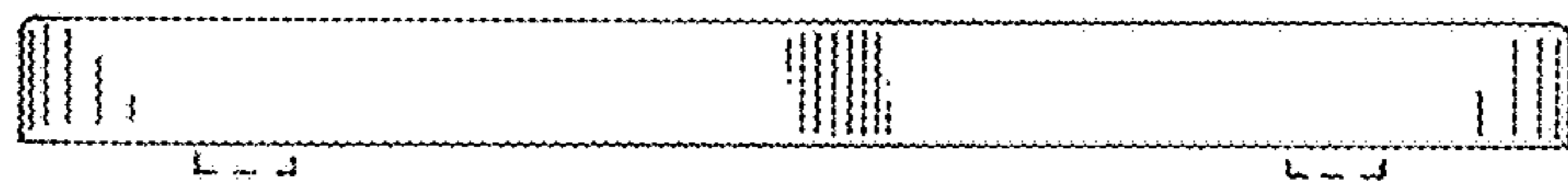


FIG. 5

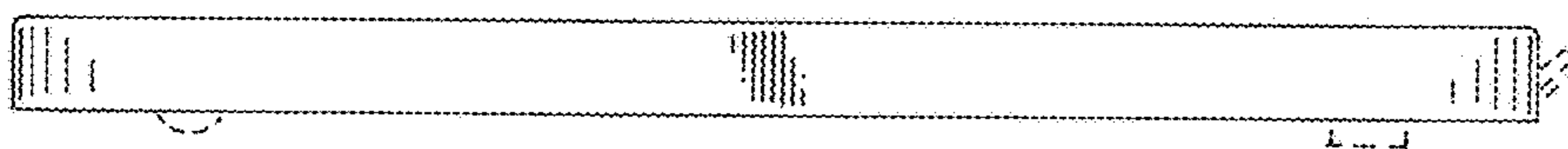


FIG. 6

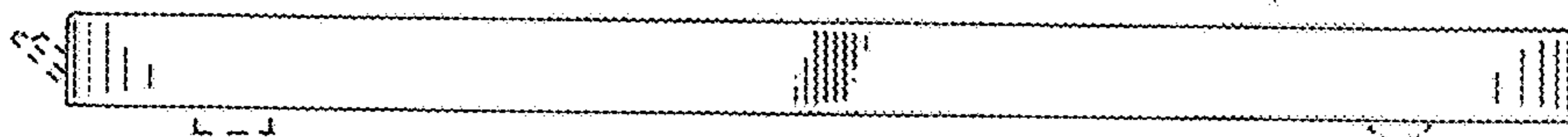


FIG. 7