



US00D865451S

(12) **United States Design Patent**
Thompson

(10) **Patent No.:** **US D865,451 S**

(45) **Date of Patent:** **** Nov. 5, 2019**

(54) **BEVERAGE CONTAINER CARRYING TRAY**

(71) Applicant: **THOMPSON MUG COMPANY, LLC**, Tampa, FL (US)

(72) Inventor: **Randall B Thompson**, St. Petersburg, FL (US)

(73) Assignee: **Thompson Mug Company LLC**, Winter Haven, FL (US)

(**) Term: **15 Years**

(21) Appl. No.: **29/634,213**

(22) Filed: **Jan. 19, 2018**

(51) **LOC (12) Cl.** **07-99**

(52) **U.S. Cl.**
USPC **D7/551.1; D7/702**

(58) **Field of Classification Search**
USPC D7/701-708, 550.1, 551.1; D21/386, 780
CPC B60N 3/102; A47G 23/03; A47G 23/0625;
A47G 23/0641; A47J 47/005; A47B
73/00; A47B 73/006; A47B 73/008
See application file for complete search history.

(56) **References Cited**

U.S. PATENT DOCUMENTS

D257,310 S * 10/1980 Cosmopulos D7/587
D476,865 S * 7/2003 Zudal D21/386

D505,600 S * 5/2005 Woody D7/707
D534,232 S * 12/2006 Rathbun D21/780
D623,478 S * 9/2010 Hayashi D7/551.1
D678,728 S * 3/2013 Stevens D7/551.1
D755,573 S * 5/2016 Consolatore D7/551.1
D766,665 S * 9/2016 Shames D7/554.2
D807,678 S * 1/2018 Mark D7/354
2007/0170629 A1 * 7/2007 Goldman A47J 47/005
269/289 R

* cited by examiner

Primary Examiner — Terry A Wallace

(74) *Attorney, Agent, or Firm* — Maxey-Fisher, PLLC;
Brittany J. Maxey-Fisher

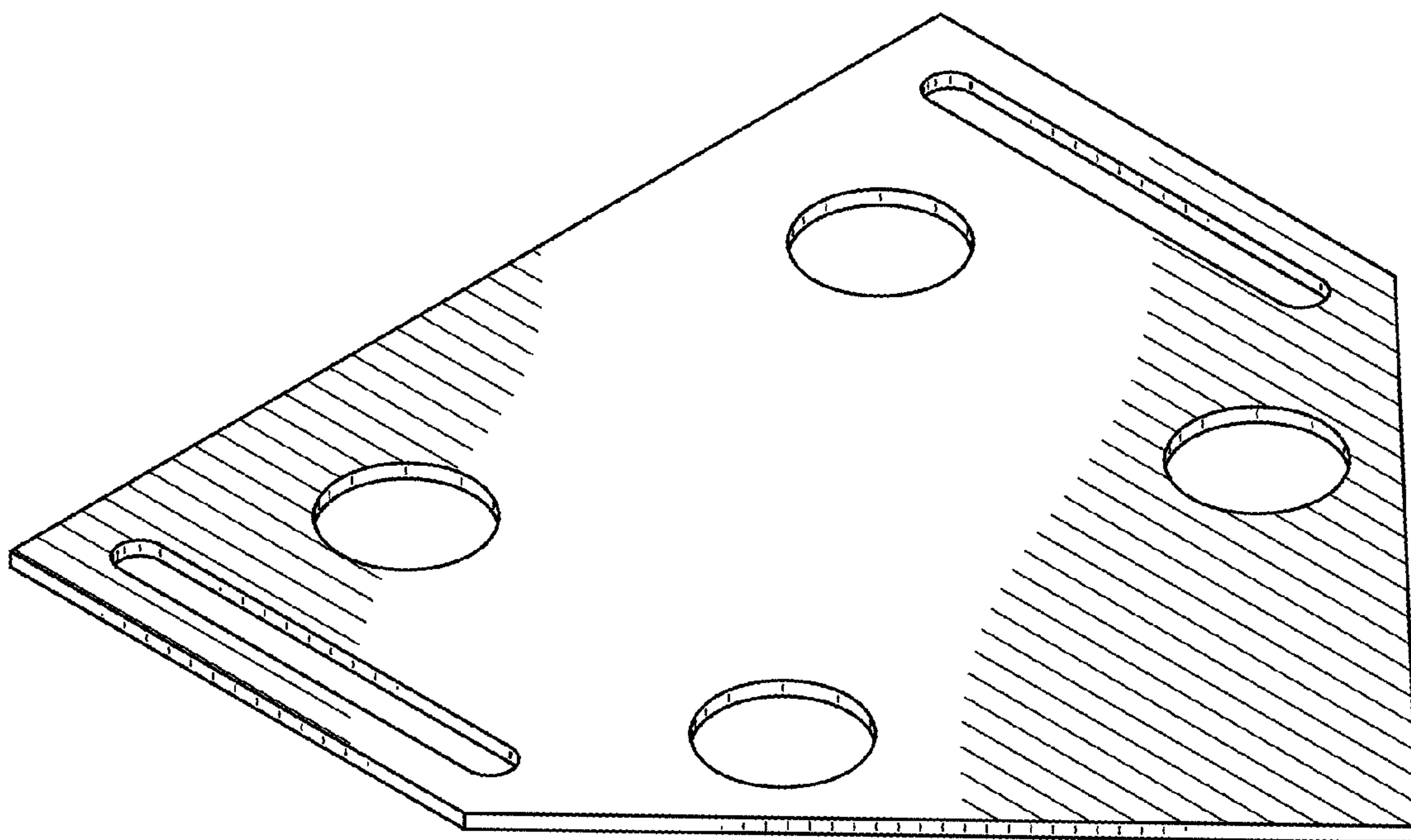
(57) **CLAIM**

The ornamental design for a beverage container carrying tray, as shown and described.

DESCRIPTION

FIG. 1 is a top perspective view of a beverage container carrying tray showing my new design;
FIG. 2 is a bottom perspective view thereof;
FIG. 3 is a top plan view thereof, the bottom plan view being a mirror image;
FIG. 4 is a side elevation view thereof, the opposite side being a mirror image;
FIG. 5 is a back elevation view thereof; and,
FIG. 6 is a front elevation view thereof.

1 Claim, 3 Drawing Sheets



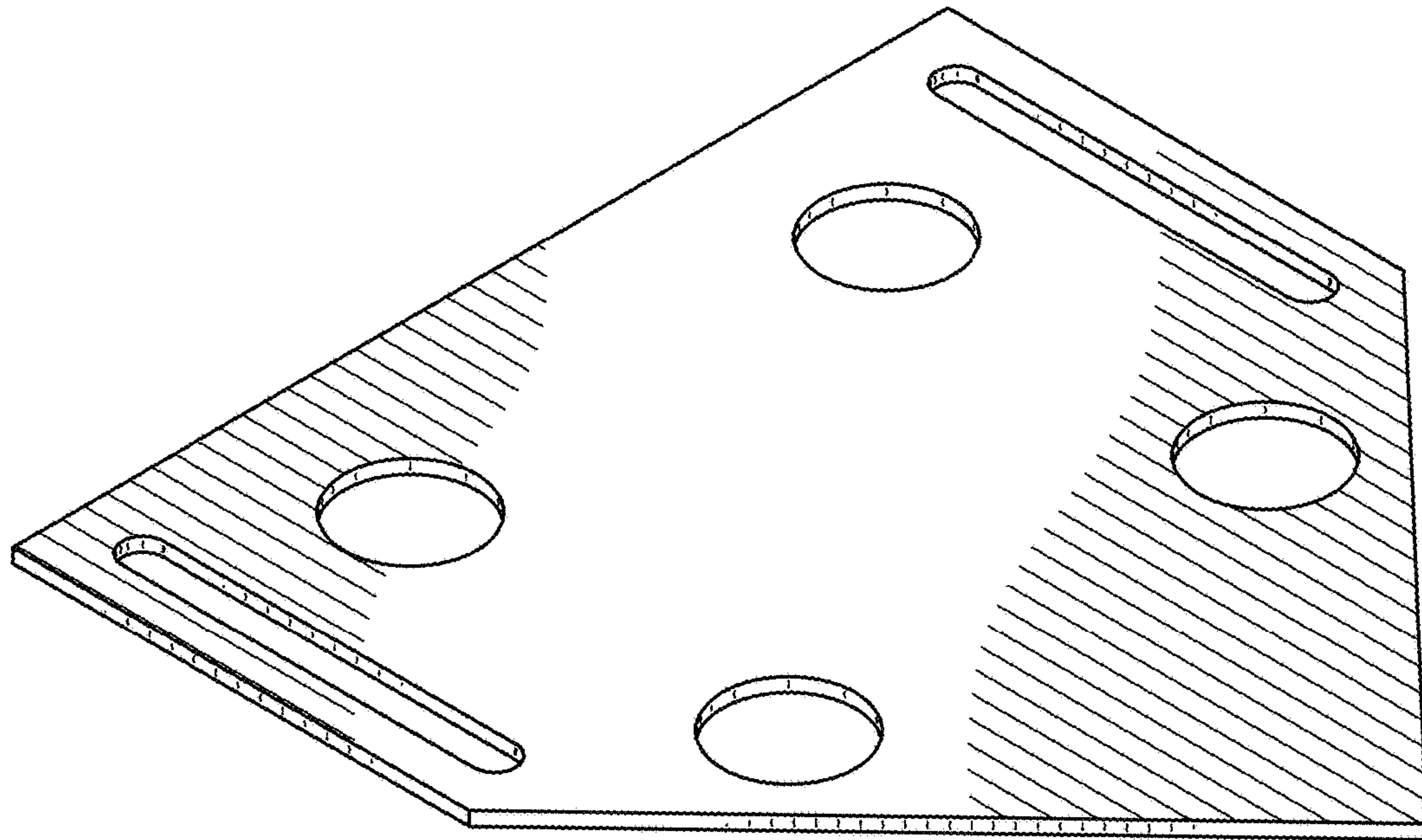


FIG. 1

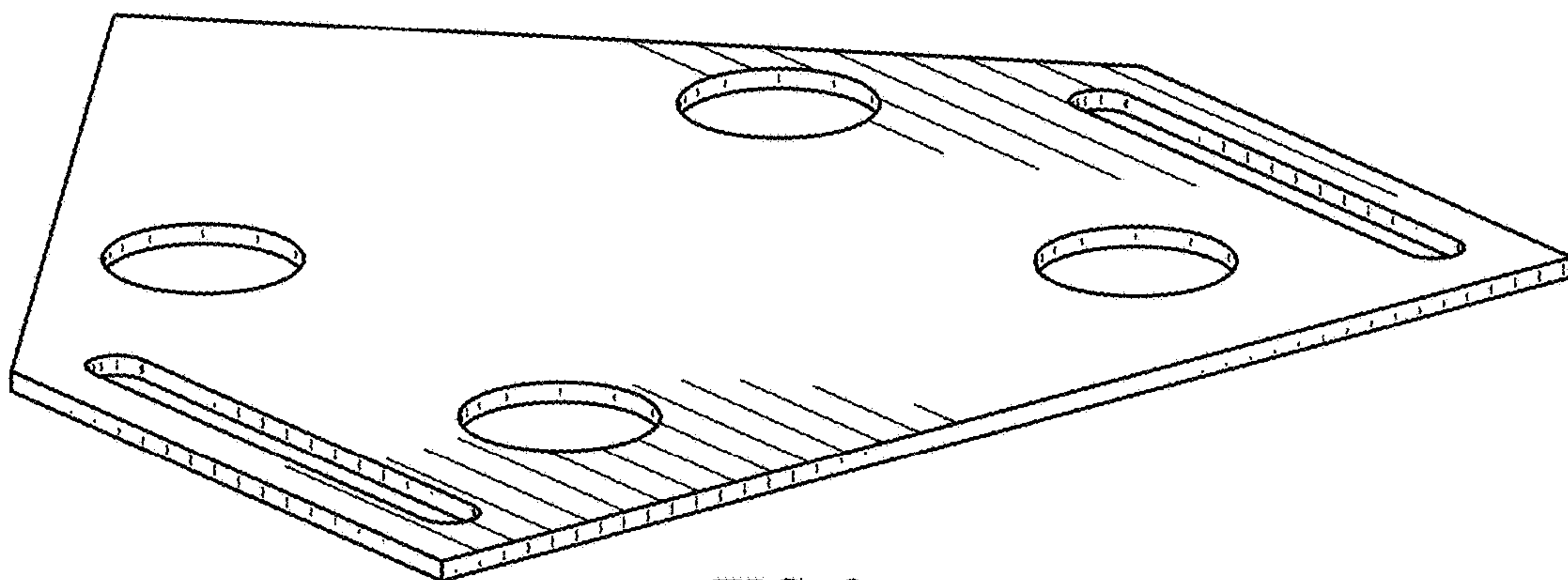


FIG. 2

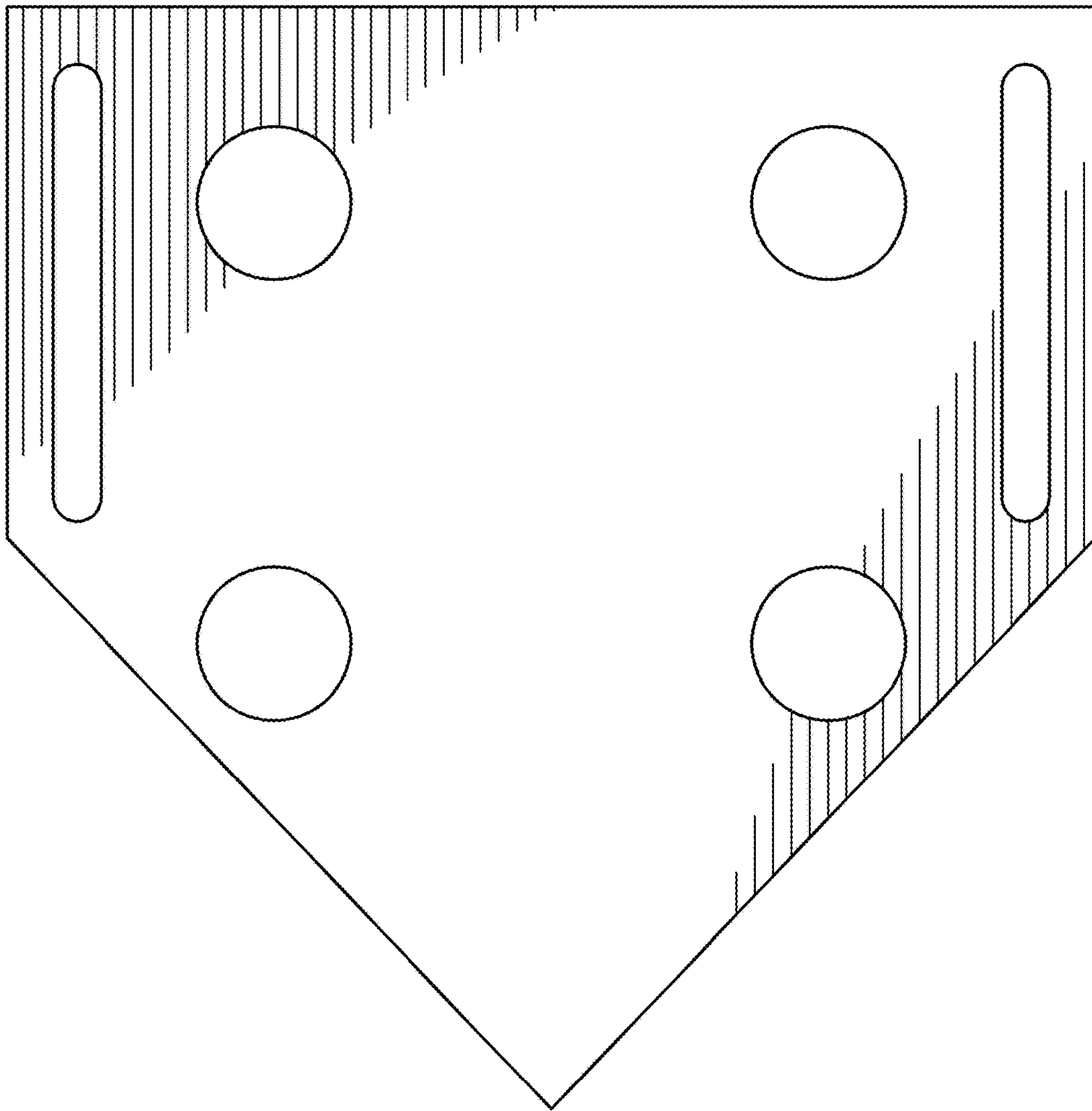


FIG. 3

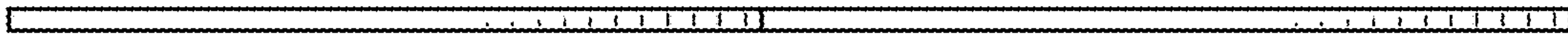


FIG. 4

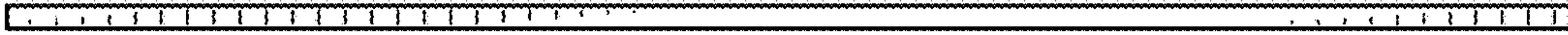


FIG. 5



FIG. 6