



US00D865445S

(12) **United States Design Patent**
Lin

(10) **Patent No.:** **US D865,445 S**
(45) **Date of Patent:** **** Nov. 5, 2019**

- (54) **STAINLESS STEEL STEAM BASKET**
- (71) Applicants: **Shenzhen Wan Si Tuo Trading Co., Ltd., Shenzhen (CN); Wenjie Lin, Jieyang (CN)**
- (72) Inventor: **Wenjie Lin, Jieyang (CN)**
- (**) Term: **15 Years**
- (21) Appl. No.: **29/698,578**
- (22) Filed: **Jul. 18, 2019**
- (51) **LOC (12) Cl.** **07-02**
- (52) **U.S. Cl.**
USPC **D7/409; D7/354; D7/356**
- (58) **Field of Classification Search**
USPC D7/323, 332, 335-337, 354-357, D7/359-364, 387-388, 402, 407-409, 667
CPC A21B 2/00; A21B 3/00; A21B 3/13; A21B 3/15; A21B 5/00; A21B 5/02; A23N 12/06; A23N 12/08; A23N 12/10; A47J 27/04; A47J 27/08; A47J 36/08; A47J 37/00; A47J 37/04; A47J 37/041; A47J 37/042; A47J 37/06; A47J 37/0688; A47J 37/0694; A47J 37/07; A47J 37/0704; A47J 37/10; A47J 37/1209; A47J 43/24; A47J 47/20; A47J 2037/00; A47J 2037/06; A47J 2037/0611; A47J 2037/07; A47J 2037/0786; A47J 2037/0795; F24C 15/10; F24C 15/12; F24C 15/14; F24C 15/16; F24C 15/164; F24C 15/18
See application file for complete search history.

- 5,853,581 A * 12/1998 Rayborn A47J 43/24
210/241
- 6,103,291 A * 8/2000 Fernandez Tapia A47J 27/04
426/523
- 6,269,737 B1 * 8/2001 Rigney A47J 27/04
126/369
- 6,711,992 B1 * 3/2004 McLemore A47J 27/04
99/339
- 6,941,857 B2 * 9/2005 McLemore A47J 37/1209
99/403
- D547,602 S 7/2007 Yamasaki
- 7,481,154 B2 1/2009 Murat
- 8,067,716 B1 * 11/2011 Lloyd A47J 37/1209
219/433
- D653,074 S * 1/2012 Difante D7/354
- D734,103 S * 7/2015 Kin D7/667
- D771,997 S * 11/2016 Affatato A47J 37/1209
D7/354
- D796,895 S 9/2017 Blaise
- D850,200 S * 6/2019 Jiang A47J 27/04
D7/409
- 2005/0092762 A1 * 5/2005 Murat A47J 27/08
220/759

* cited by examiner

Primary Examiner — Ricky Pham

(57) **CLAIM**

The ornamental design for a stainless steel steam basket, as shown and described.

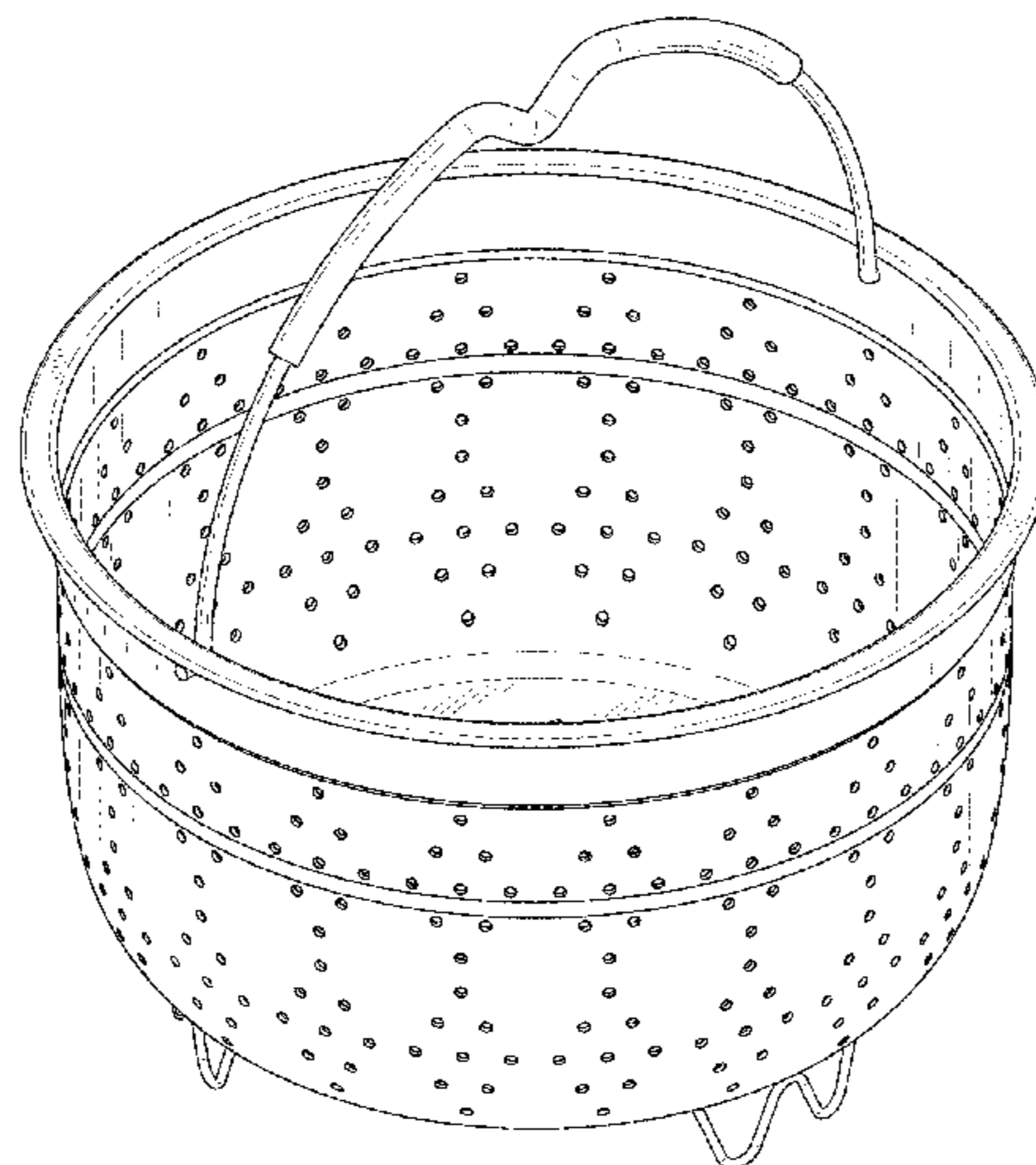
DESCRIPTION

FIG. 1 is a first perspective view of a stainless steel steam basket showing my design;
 FIG. 2 is a second perspective view thereof;
 FIG. 3 is a front view thereof;
 FIG. 4 is a back view thereof;
 FIG. 5 is a left side view thereof;
 FIG. 6 is a right side view thereof;
 FIG. 7 is a top view thereof; and,
 FIG. 8 is a bottom view thereof.

1 Claim, 8 Drawing Sheets

(56) **References Cited**
U.S. PATENT DOCUMENTS

- 4,626,352 A * 12/1986 Massey A47J 36/08
210/469
- D296,287 S * 6/1988 Mueller D7/356
- D347,354 S 5/1994 Naft



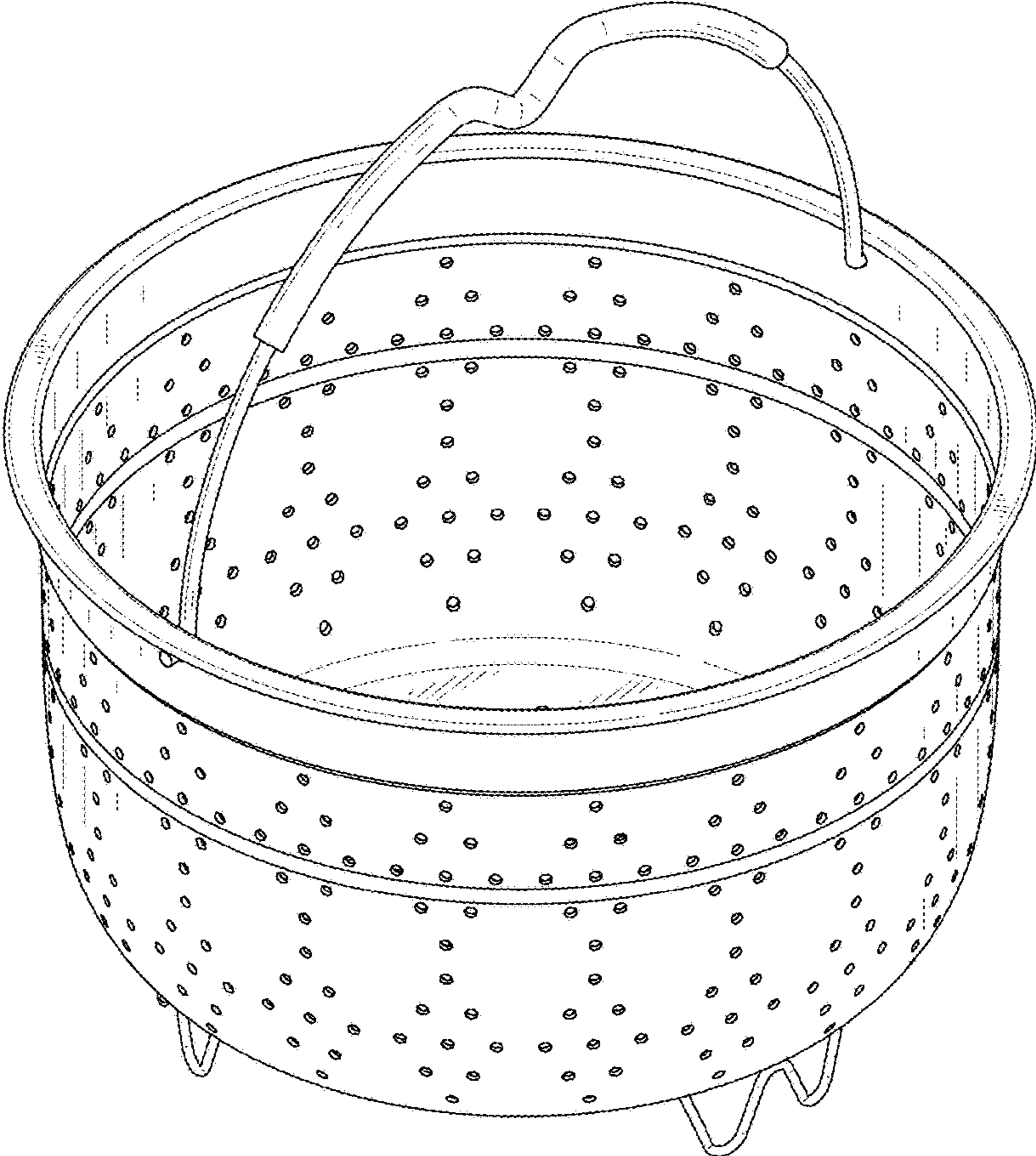


FIG. 1

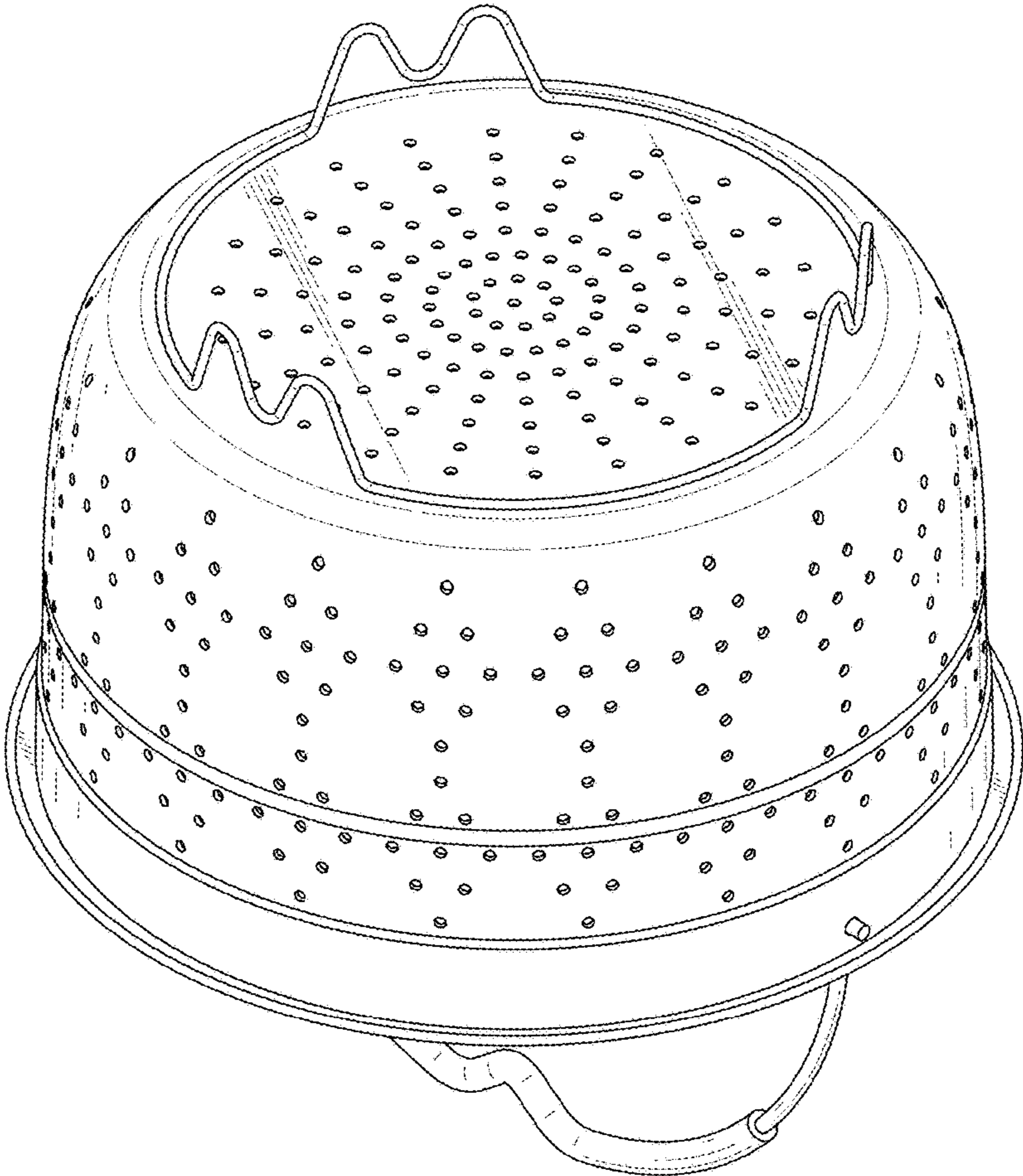


FIG. 2

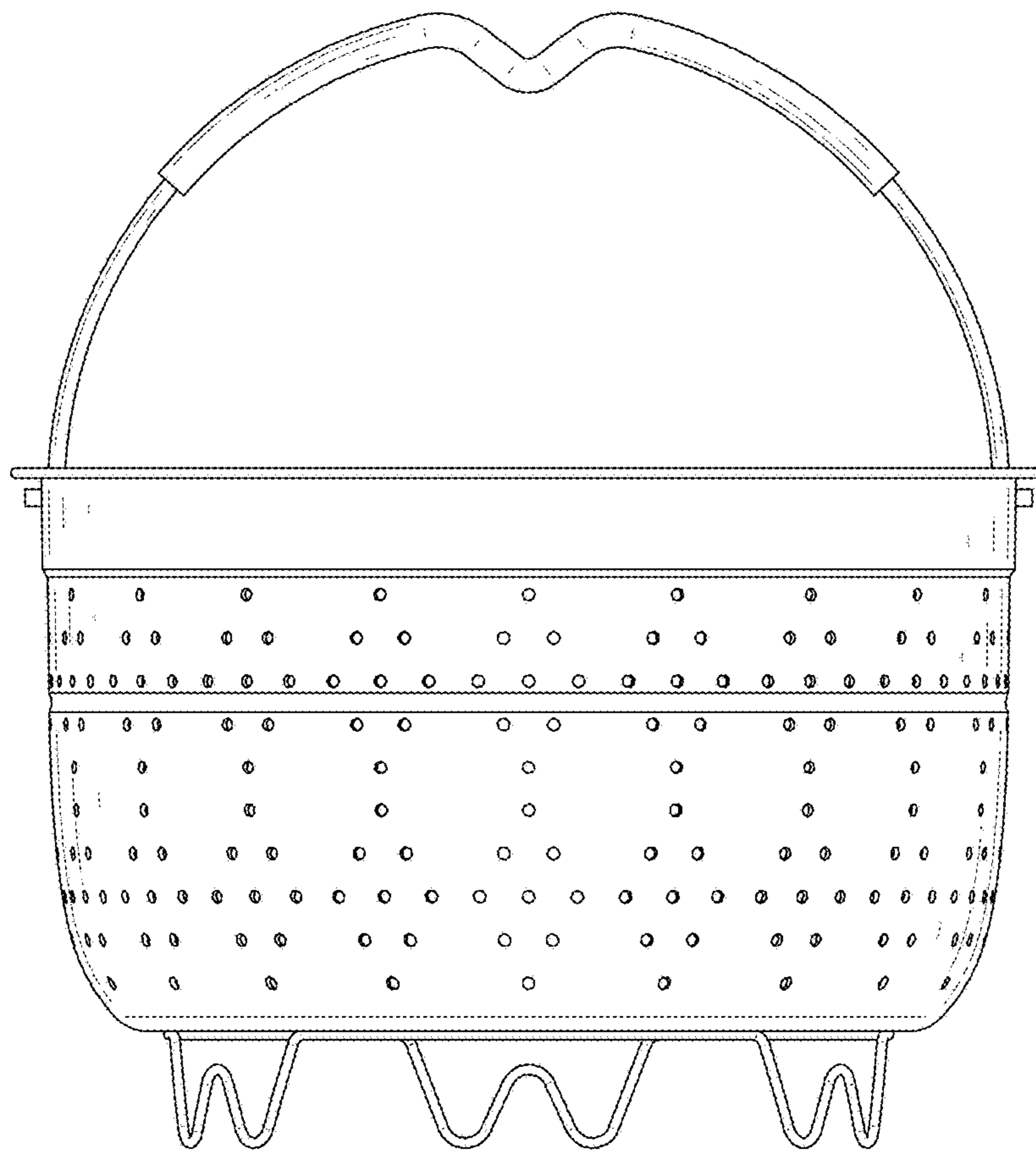


FIG. 3

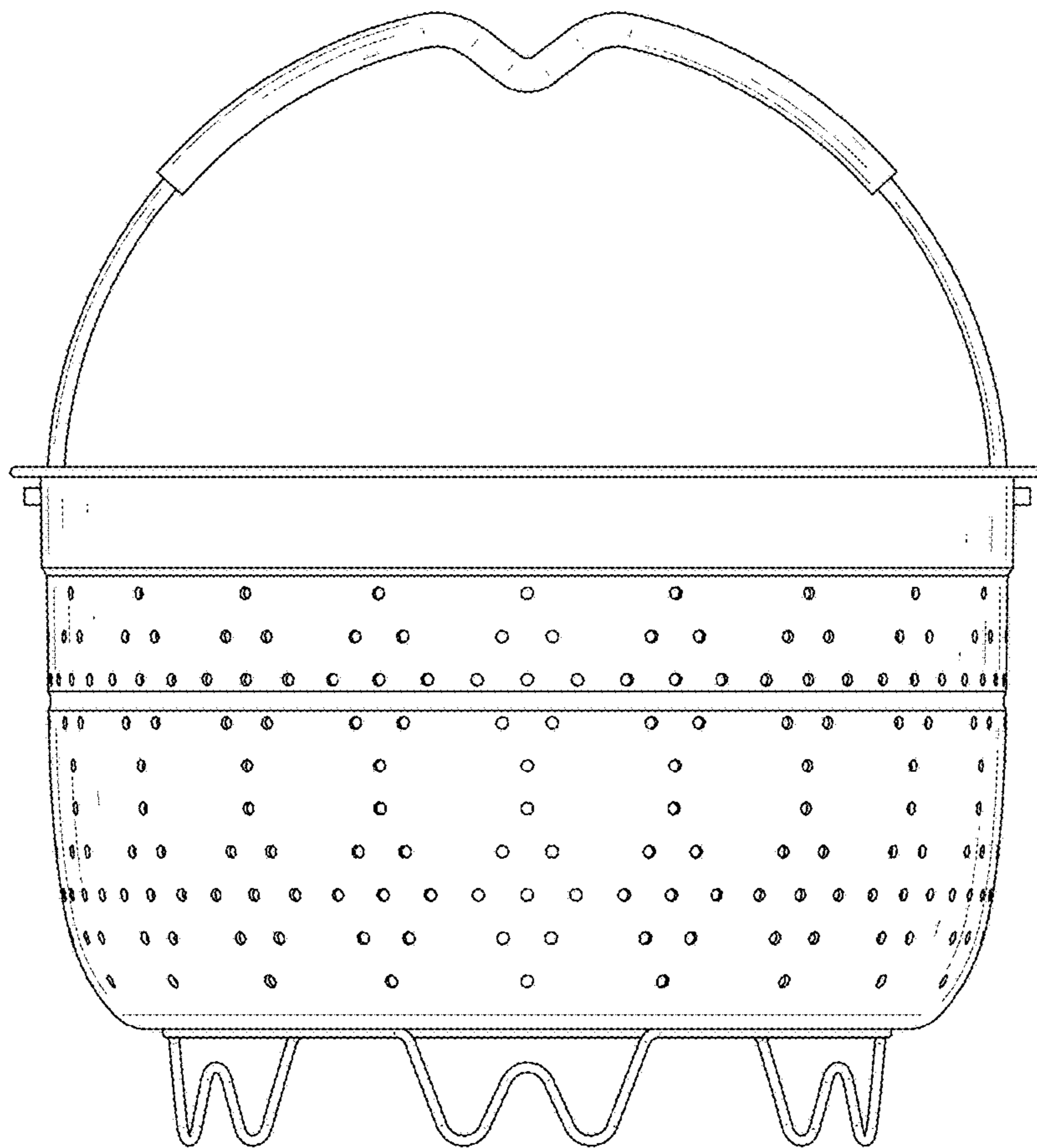


FIG. 4

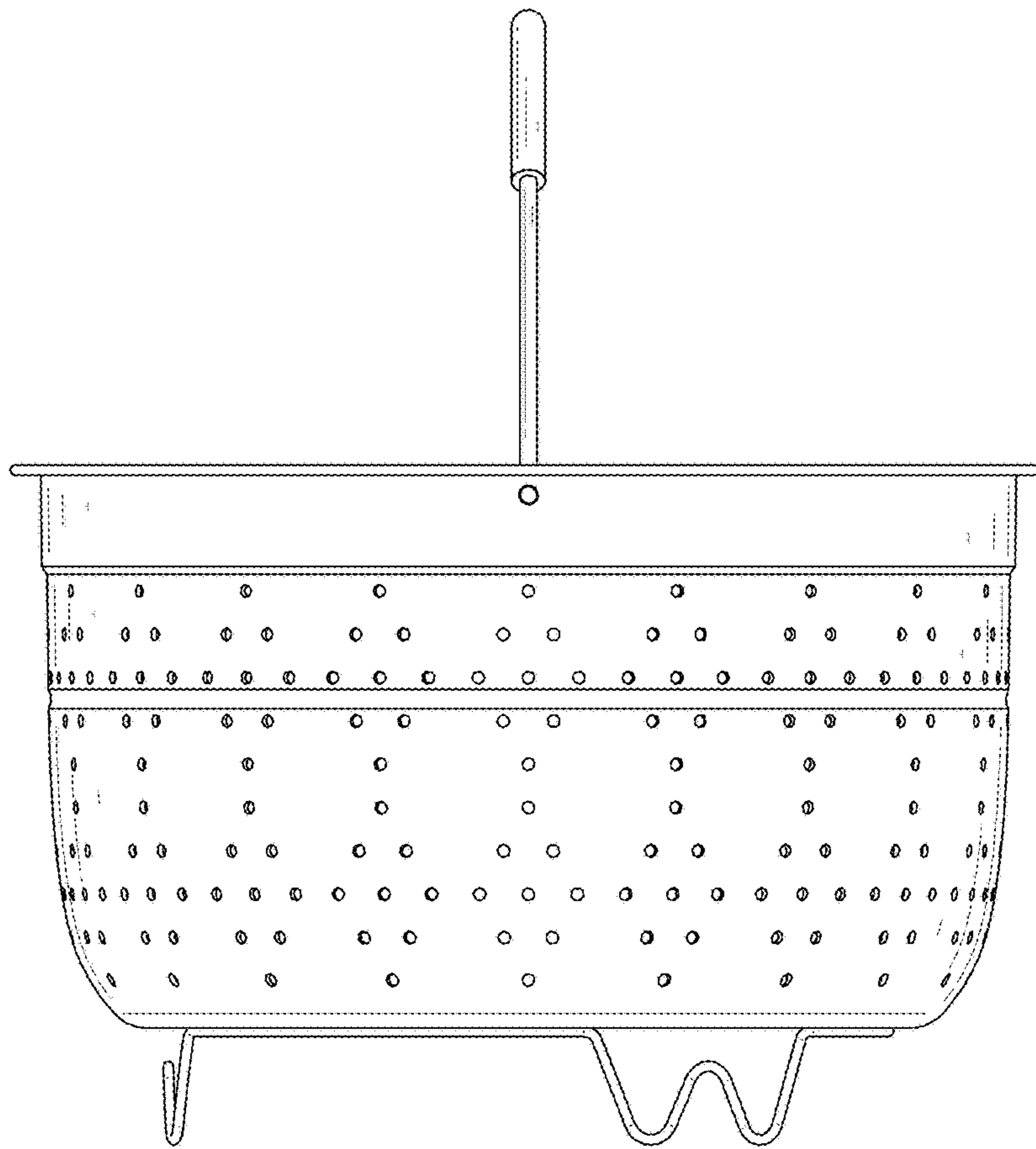


FIG. 5

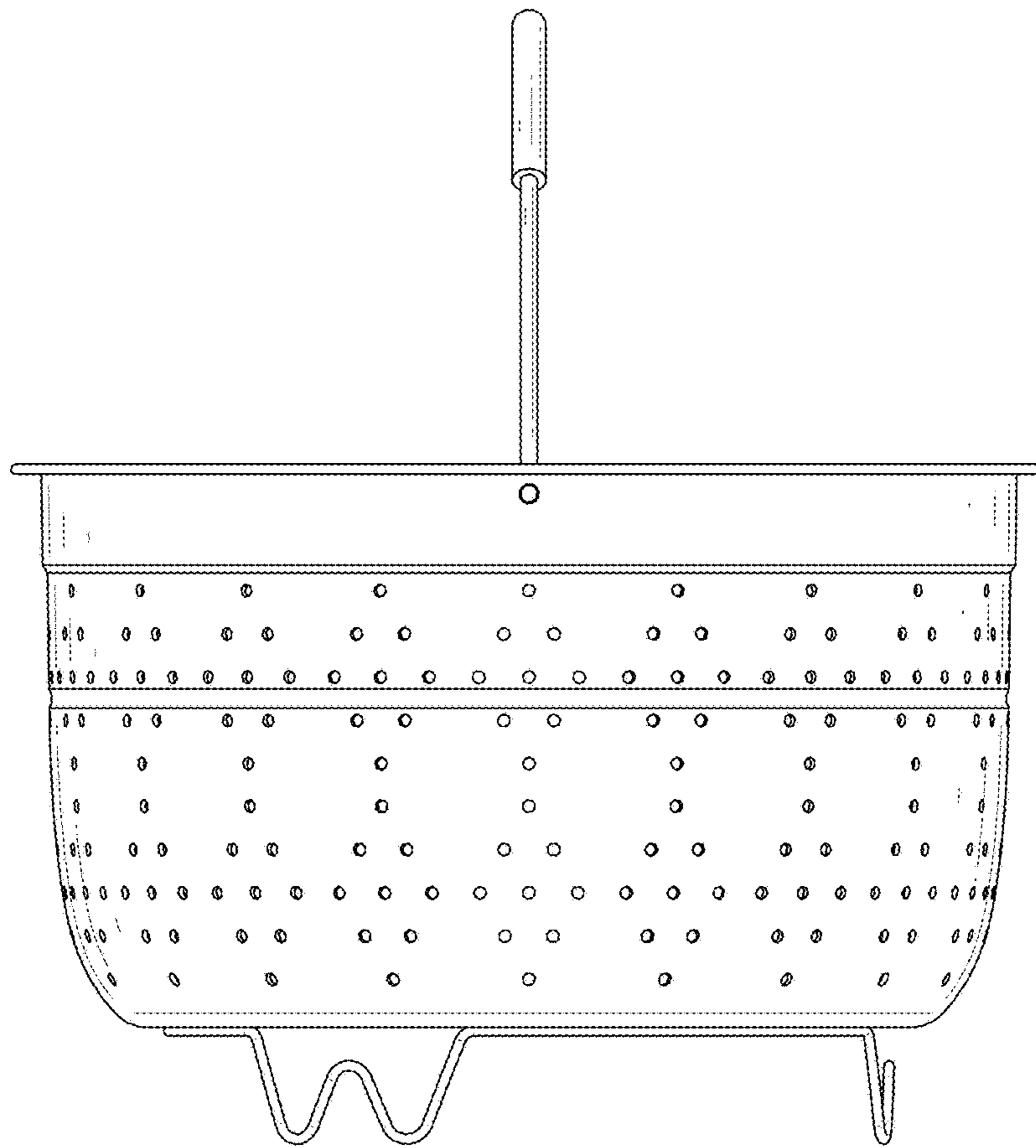


FIG. 6

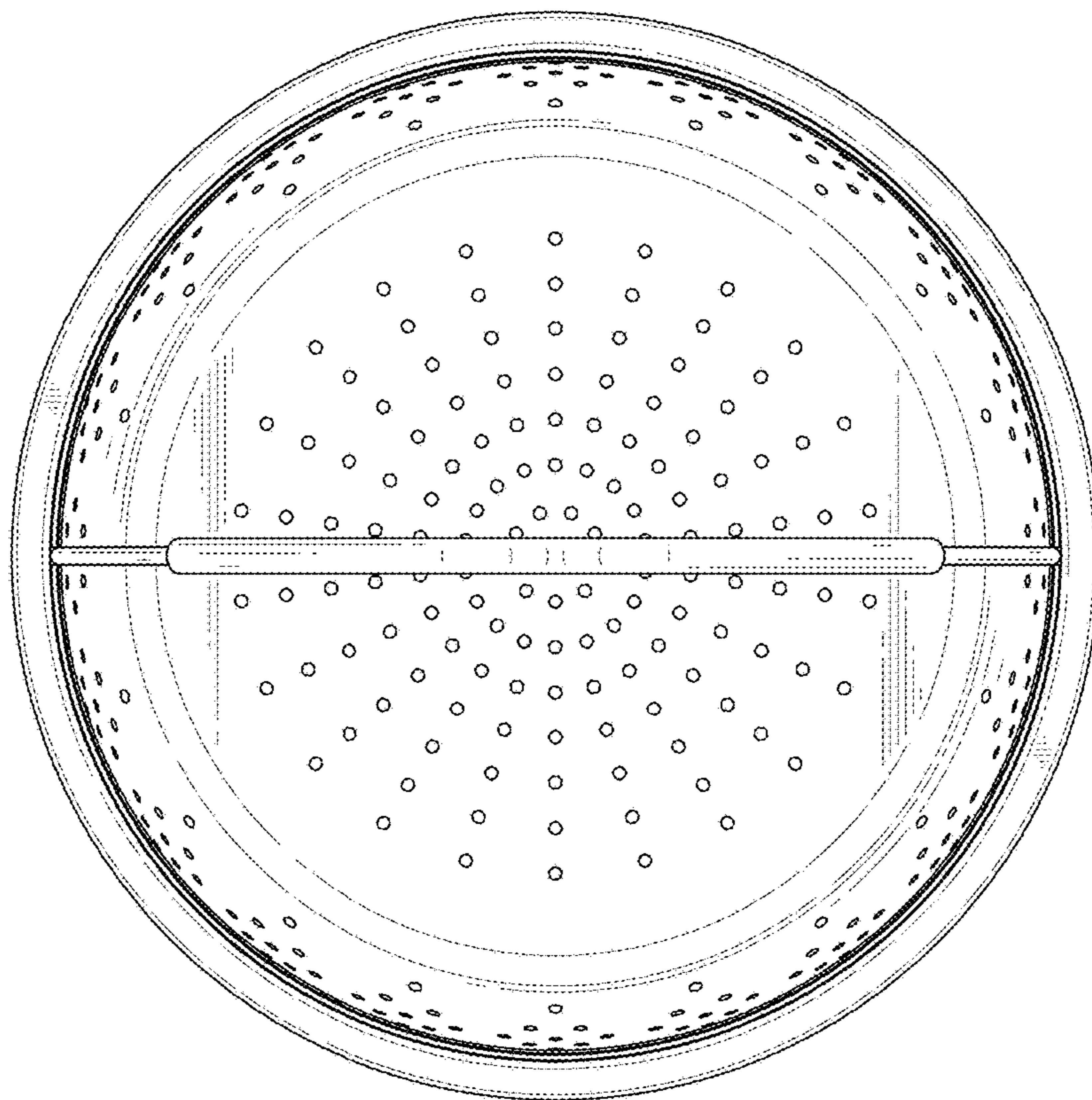


FIG. 7

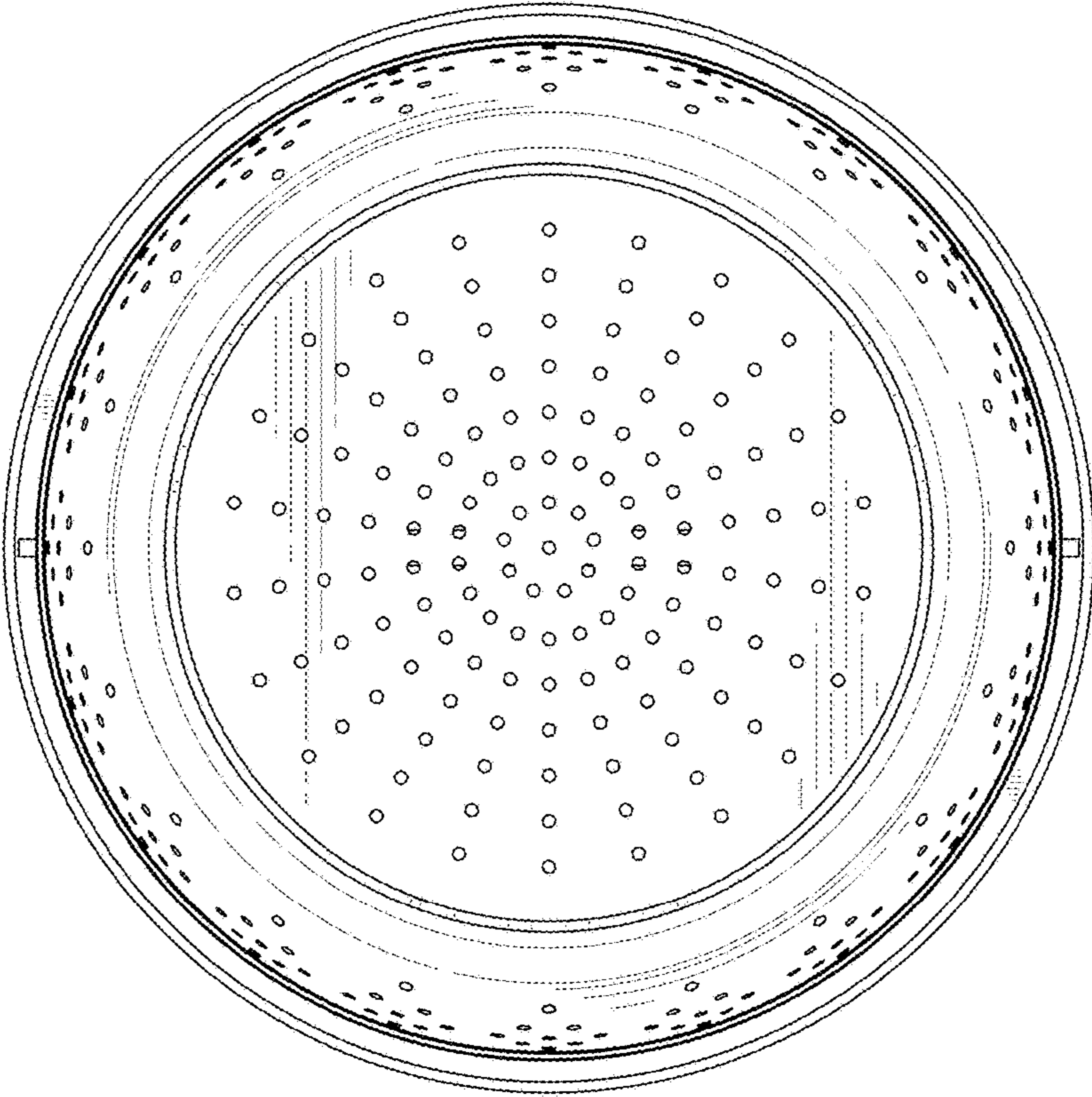


FIG. 8