



US00D865444S

(12) **United States Design Patent** (10) **Patent No.:** **US D865,444 S**  
**Young** (45) **Date of Patent:** **\*\* Nov. 5, 2019**

(54) **OIL PAN FOR CAMPING GRILL**  
(71) Applicant: **Lon G Young**, St. George, UT (US)  
(72) Inventor: **Lon G Young**, St. George, UT (US)  
(\*\*) Term: **15 Years**  
(21) Appl. No.: **29/619,198**  
(22) Filed: **Sep. 27, 2017**  
(51) **LOC (12) Cl.** ..... **07-02**  
(52) **U.S. Cl.**  
USPC ..... **D7/402; D7/360**  
(58) **Field of Classification Search**  
USPC ..... D7/402-409, 332, 337, 339-341,  
D7/346-349, 350.1-351, 362-363, 323,  
D7/550.1, 552.1, 554.3, 554.4, 354, 360;  
D3/304, 307  
CPC ..... A47J 37/0786; F24C 15/16; F24C 3/082;  
F24C 3/085; F24C 7/083  
See application file for complete search history.

D372,636 S \* 8/1996 Neff ..... 126/211  
D380,347 S \* 7/1997 Norton ..... D7/409  
D395,548 S \* 6/1998 Morissette ..... D3/304  
D414,654 S \* 10/1999 Epps ..... D7/402  
D679,130 S \* 4/2013 Cloutier ..... D7/354

\* cited by examiner

*Primary Examiner* — Sheryl Lane  
*Assistant Examiner* — Nicole C Shiflet  
(74) *Attorney, Agent, or Firm* — Gurr Brande &  
Spendlove, PLLC; Robert A. Gurr

(57) **CLAIM**

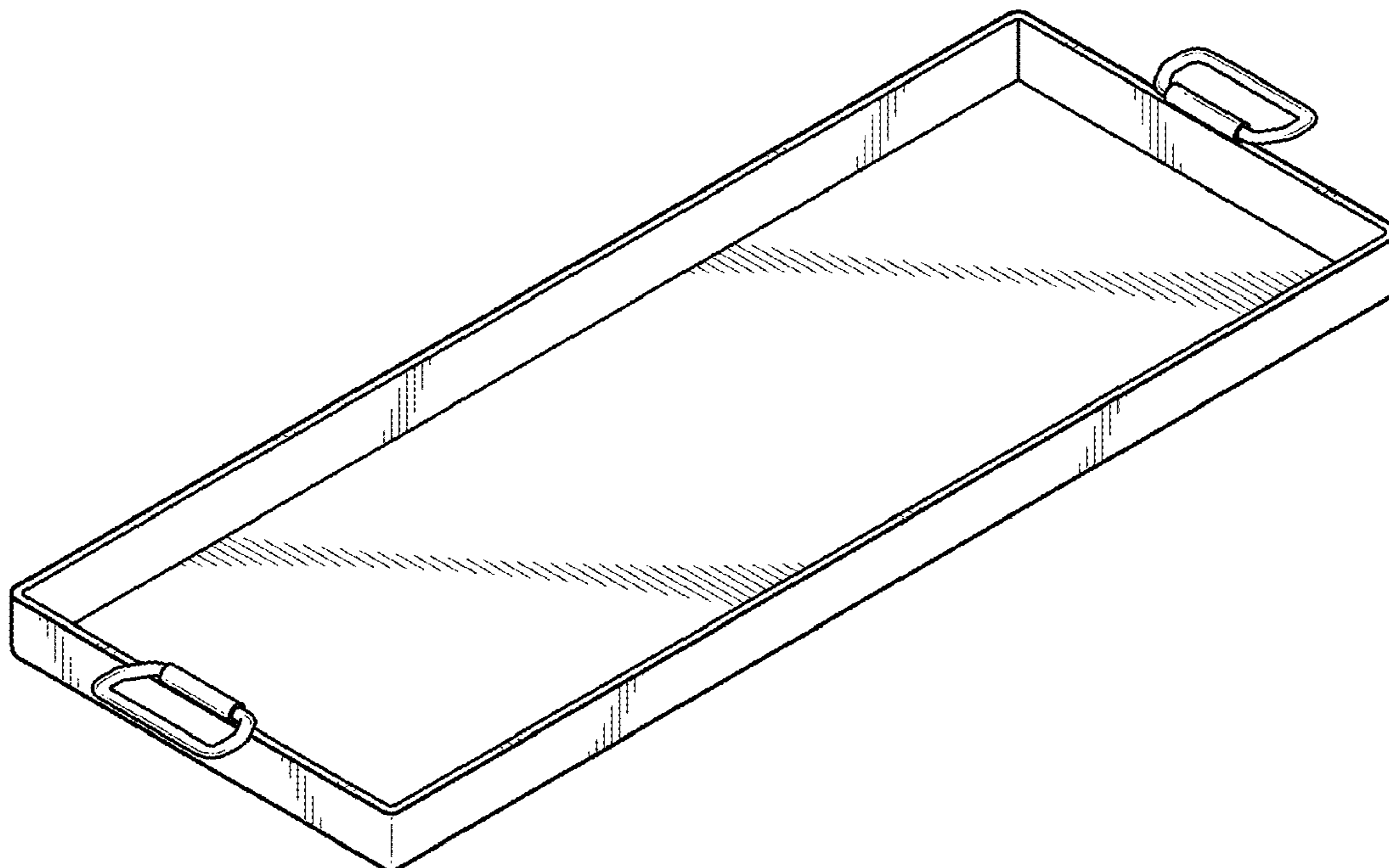
The ornamental design for an oil pan for camping grill, as shown and described.

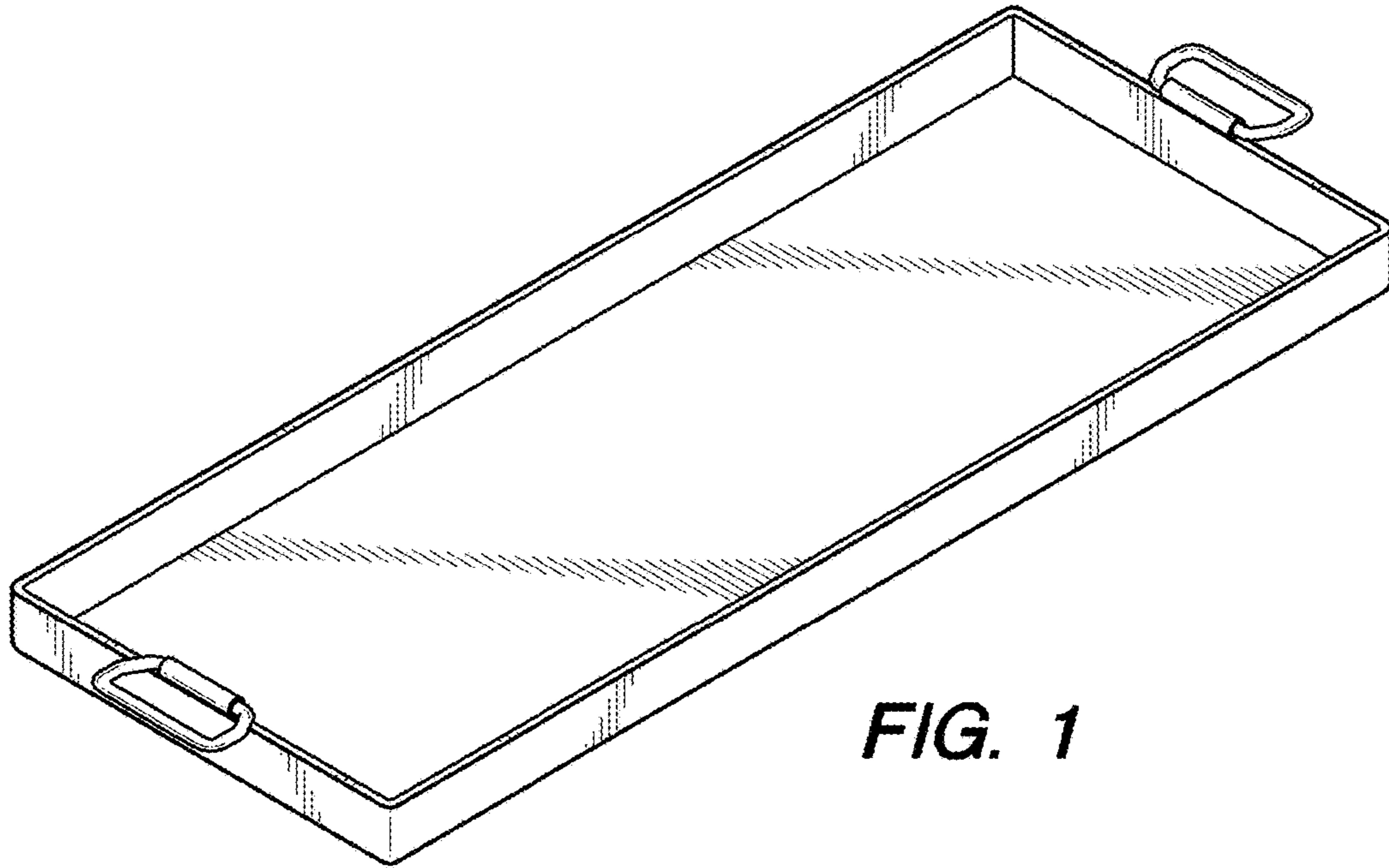
**DESCRIPTION**

FIG. 1 is a top perspective view of the oil pan for camping grill;  
FIG. 2 is a bottom perspective view of the oil pan for camping grill;  
FIG. 3 is a left side elevation view of the oil pan for camping grill;  
FIG. 4 is a top plan view of the oil pan for camping grill;  
FIG. 5 is a right side elevation view of the oil pan for camping grill;  
FIG. 6 is a front elevation view of the oil pan for camping grill;  
FIG. 7 is a back elevation view of the oil pan for camping grill; and,  
FIG. 8 is a bottom plan view of the oil pan for camping grill.  
The broken lines shown in the drawings are portions of the article that form no part of the claimed design.

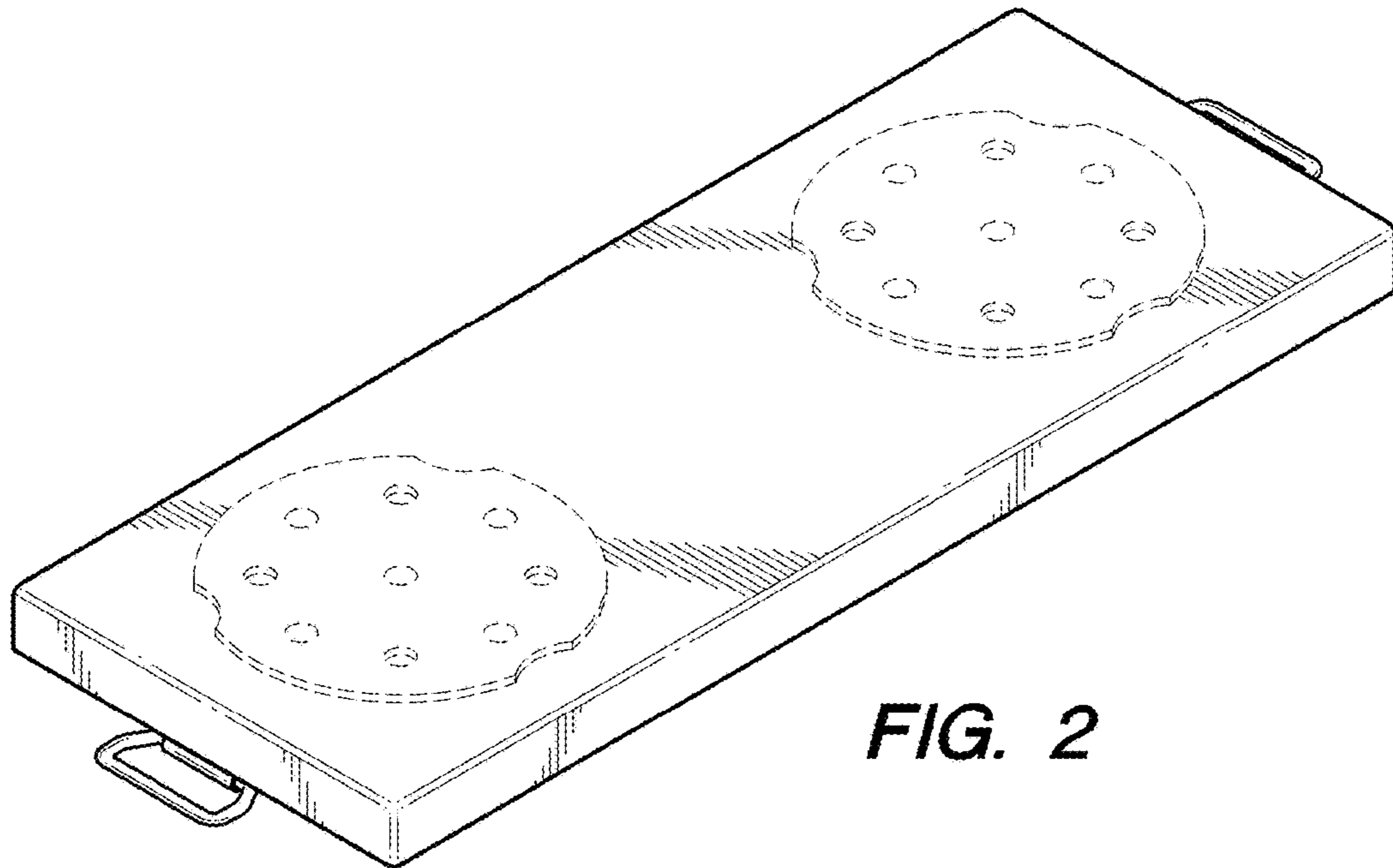
**1 Claim, 4 Drawing Sheets**

(56) **References Cited**  
U.S. PATENT DOCUMENTS  
162,617 A \* 4/1875 Brightman ..... B65D 25/32  
220/756  
2,046,973 A \* 7/1936 Schroeder ..... A47J 37/0676  
126/24  
D252,007 S \* 6/1979 Morgan ..... D7/332  
D298,406 S \* 11/1988 Stephen ..... D7/402  
5,029,721 A \* 7/1991 Timpe ..... A47J 36/022  
220/573.1  
D323,599 S \* 2/1992 Griffard ..... D7/408  
D337,477 S \* 7/1993 Garza ..... D7/332

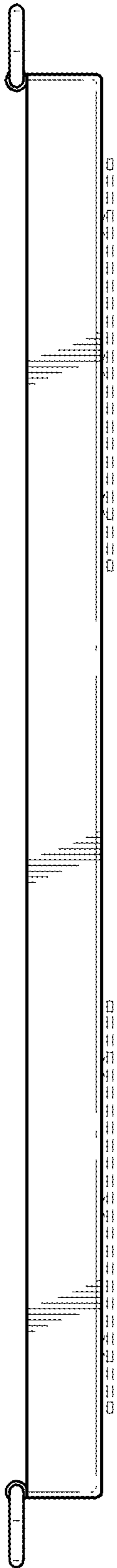




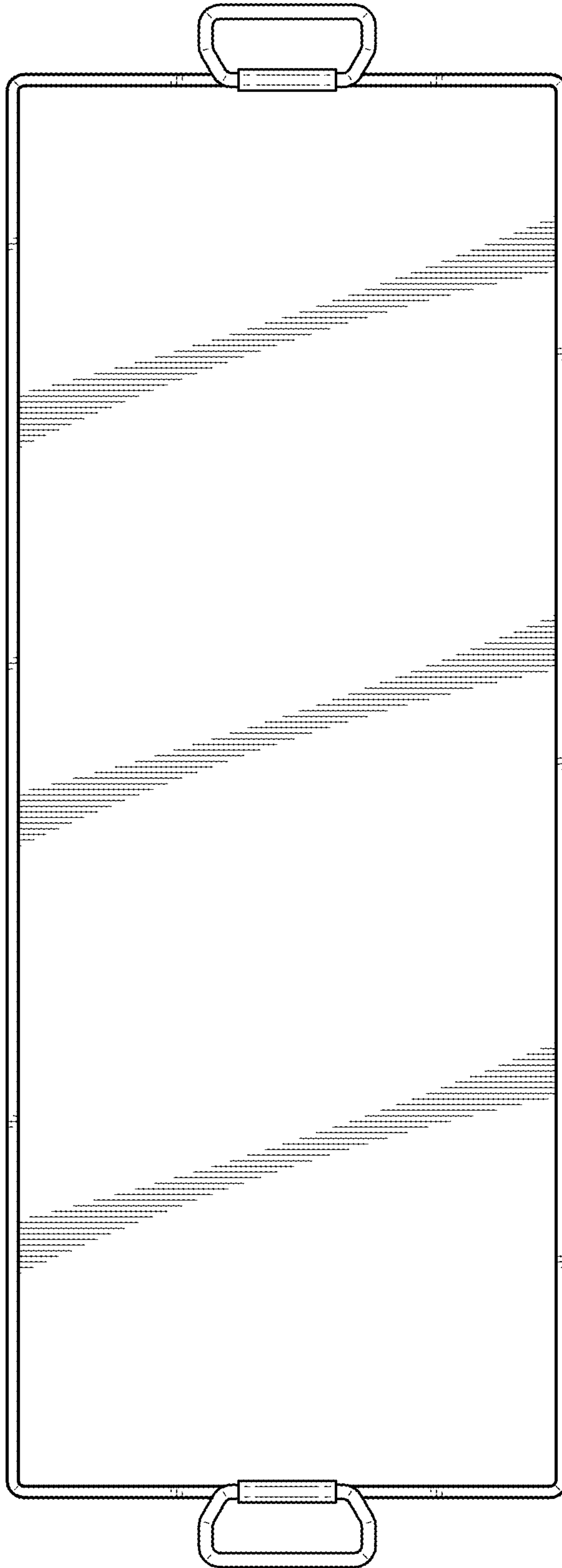
**FIG. 1**



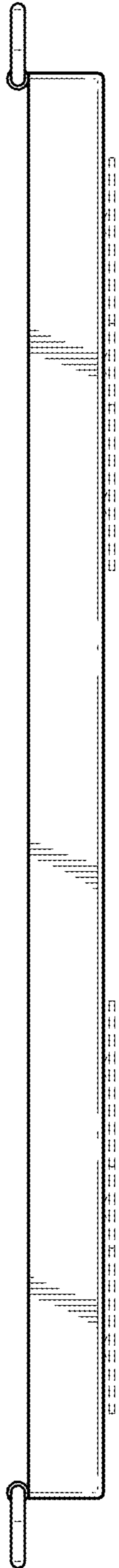
**FIG. 2**



**FIG. 3**



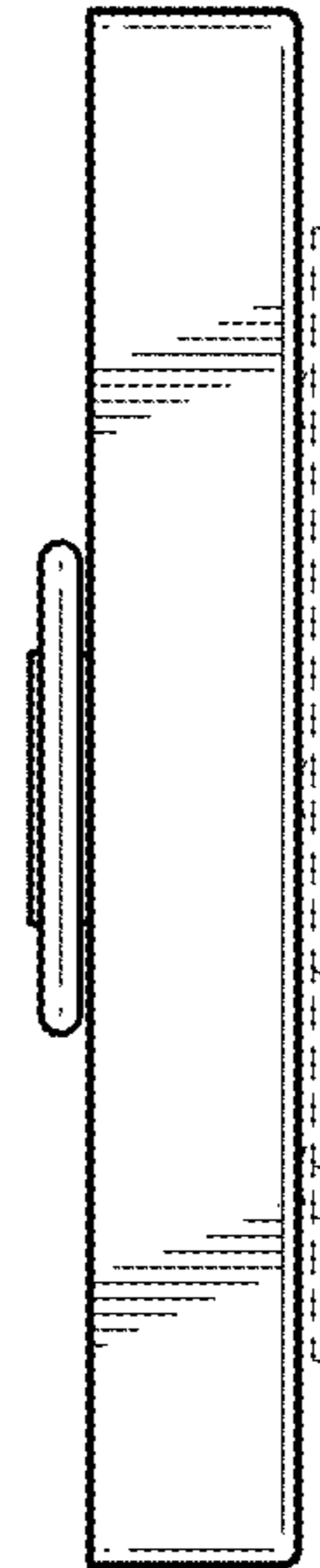
**FIG. 4**



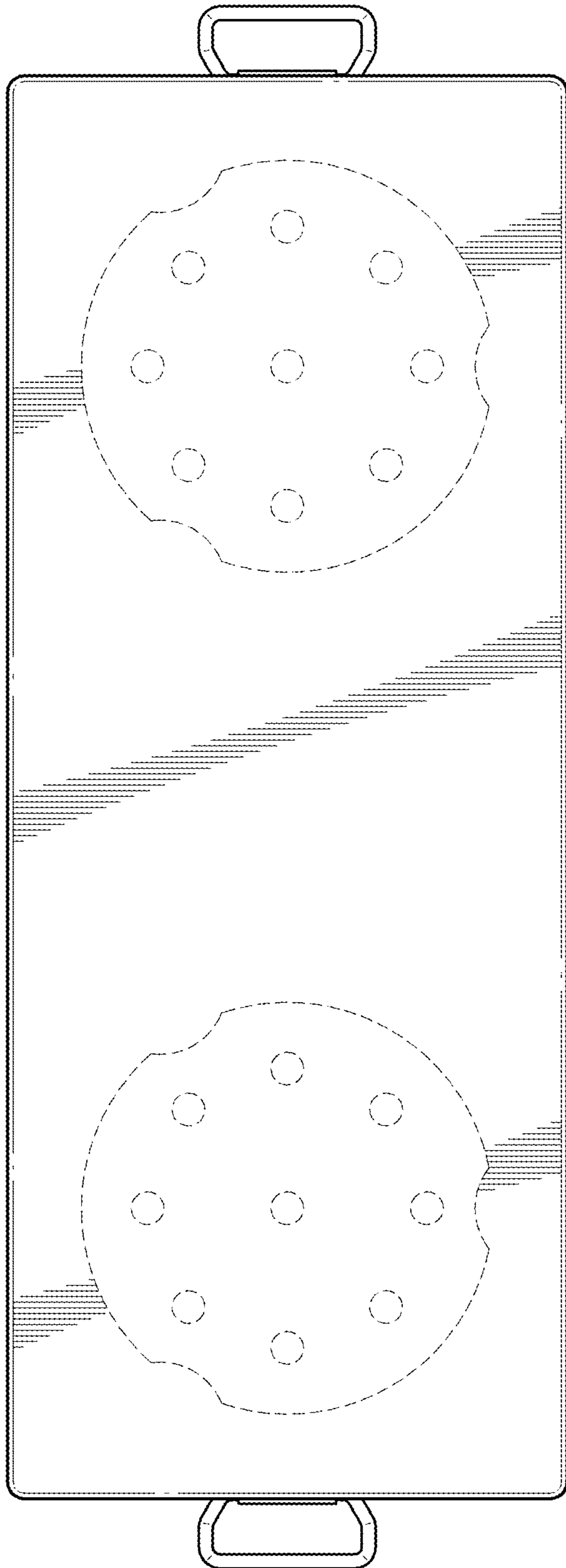
**FIG. 5**



**FIG. 6**



**FIG. 7**



**FIG. 8**