



US00D865441S

(12) **United States Design Patent** (10) **Patent No.:** **US D865,441 S**  
**Lowette** (45) **Date of Patent:** **\*\* Nov. 5, 2019**

(54) **BOTTLE LID**  
 (71) Applicant: **BIBO BRANDS BVBA**, Hasselt (BE)  
 (72) Inventor: **Stijn Lowette**, Hasselt (BE)  
 (73) Assignee: **Bibo Brands BVBA**, Hasselt (BE)  
 (\*\*) Term: **15 Years**  
 (21) Appl. No.: **29/650,887**  
 (22) Filed: **Jun. 11, 2018**

(30) **Foreign Application Priority Data**  
 Dec. 12, 2017 (EM) ..... 004544450-0002  
 (51) **LOC (12) Cl.** ..... **07-99**  
 (52) **U.S. Cl.**  
 USPC ..... **D7/392**  
 (58) **Field of Classification Search**  
 USPC ..... D7/391, 392, 392.1, 509, 510, 511, 533,  
 D7/536, 538, 548, 300, 302, 303, 316,  
 D7/317, 318, 320, 321, 322, 619.1;  
 D9/435, 447, 449, 452, 453, 454, 780,  
 D9/434, 440, 529, 549, 564  
 CPC ..... A47G 19/2272  
 See application file for complete search history.

(56) **References Cited**  
 U.S. PATENT DOCUMENTS  
 D677,121 S \* 3/2013 Meyers ..... D7/510  
 D696,551 S \* 12/2013 Meyers ..... D7/392.1  
 D720,218 S \* 12/2014 Hutson ..... D9/443  
 D742,230 S \* 11/2015 Charles ..... D7/396.2

D745,827 S \* 12/2015 Sorensen ..... D7/392.1  
 D748,478 S \* 2/2016 Sorensen ..... D9/443  
 D756,702 S \* 5/2016 Joseph ..... D7/392.1  
 D812,419 S \* 3/2018 Yao ..... D7/392.1  
 D814,855 S \* 4/2018 Hammer ..... D7/392.1  
 2014/0360908 A1\* 12/2014 Sorensen ..... B65D 21/0228  
 206/501  
 2015/0201773 A1\* 7/2015 Sorensen ..... A47J 43/27  
 220/254.5  
 2016/0264320 A1\* 9/2016 Meyers ..... B65D 47/0866  
 2017/0144809 A1\* 5/2017 Sorensen ..... A47G 19/00  
 2017/0225850 A1\* 8/2017 Sorensen ..... B65D 47/0895

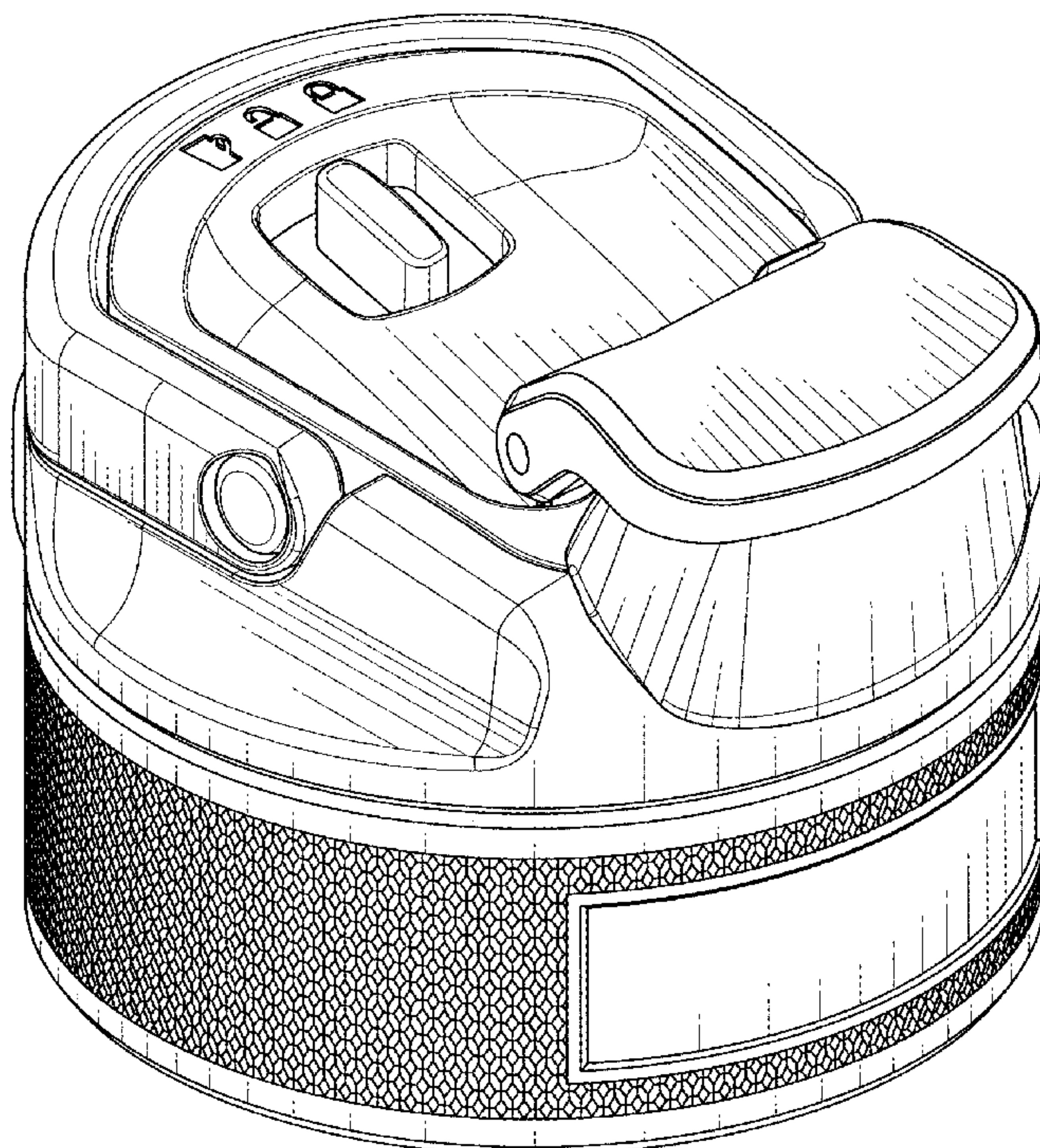
\* cited by examiner

*Primary Examiner* — Karen S Acker  
*Assistant Examiner* — Steven B Reinholdt, Jr.  
 (74) *Attorney, Agent, or Firm* — Kirschstein, Israel,  
 Schiffmiller & Pieroni, P.C.

(57) **CLAIM**  
 The ornamental design for a bottle lid, as shown and  
 described.

**DESCRIPTION**  
 FIG. 1 is a top, front, and left perspective view of a bottle  
 lid according to my new design.  
 FIG. 2 is a front elevation view thereof.  
 FIG. 3 is a rear elevation view thereof.  
 FIG. 4 is a right side elevation view thereof.  
 FIG. 5 is a left side elevation view thereof.  
 FIG. 6 is a bottom plan view thereof; and,  
 FIG. 7 is a top plan view thereof.  
 The broken lines and the areas within them depict portions  
 of the bottle lid that form no part of the claim.

**1 Claim, 5 Drawing Sheets**





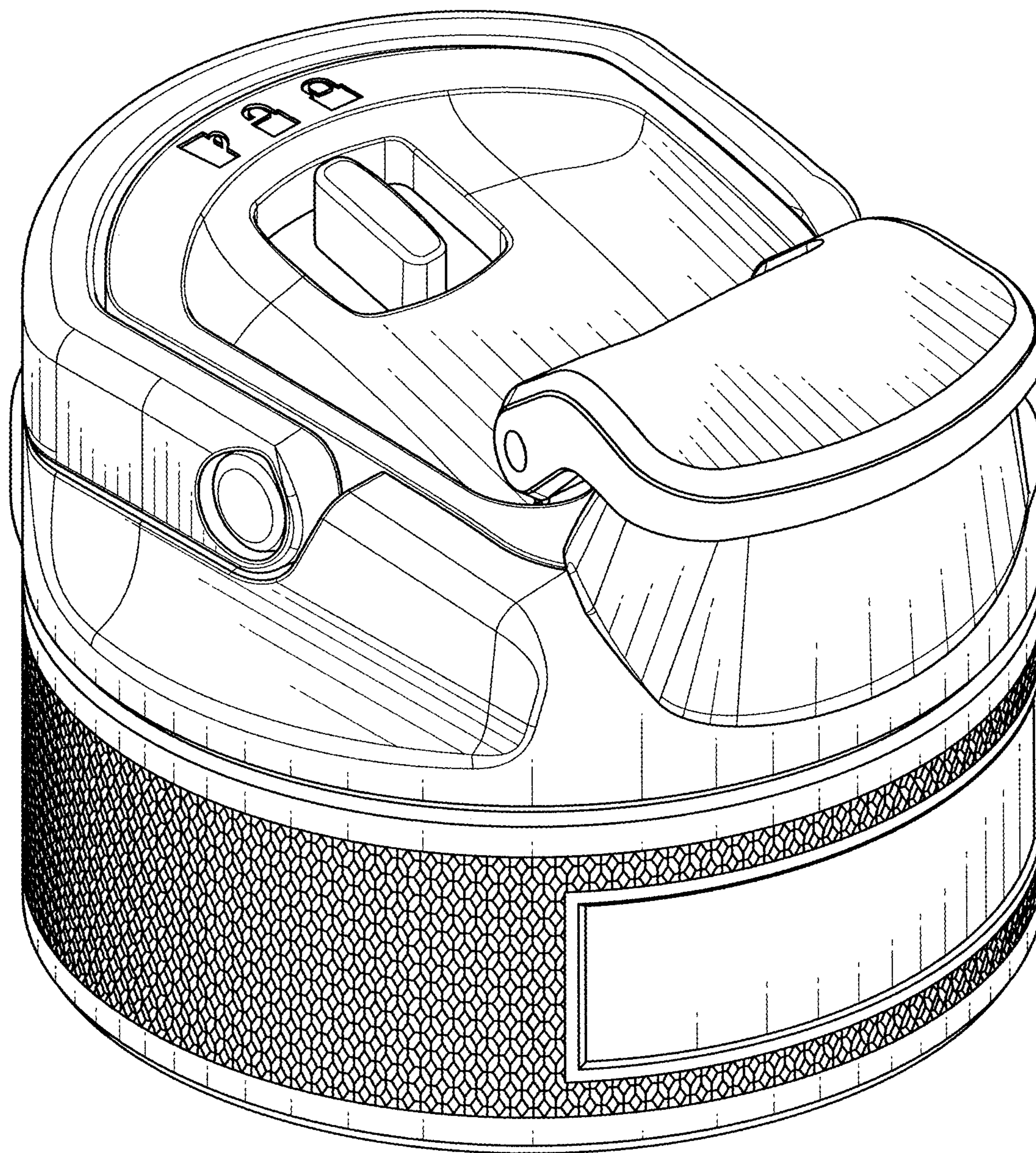


FIG. 1



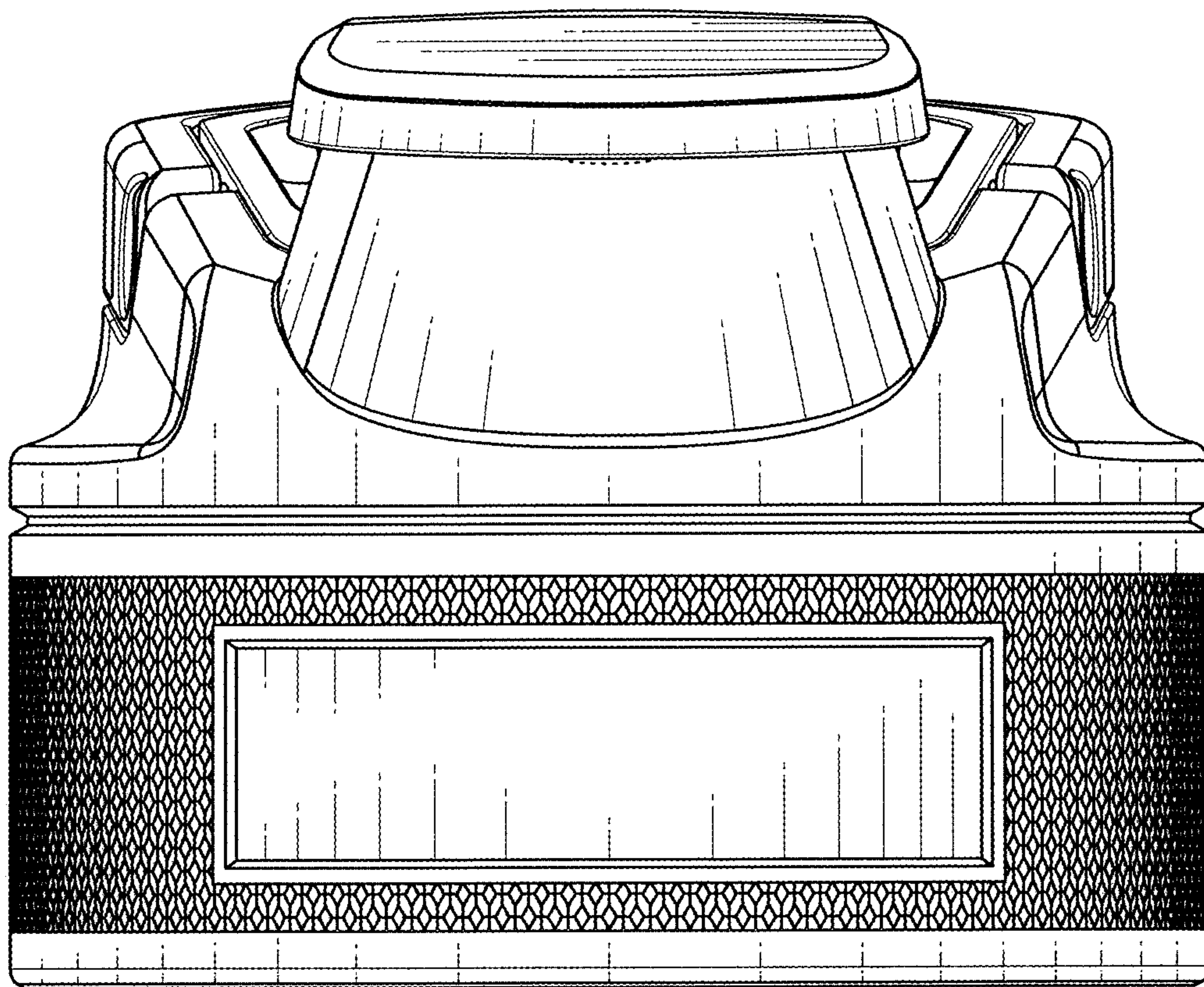


FIG. 2

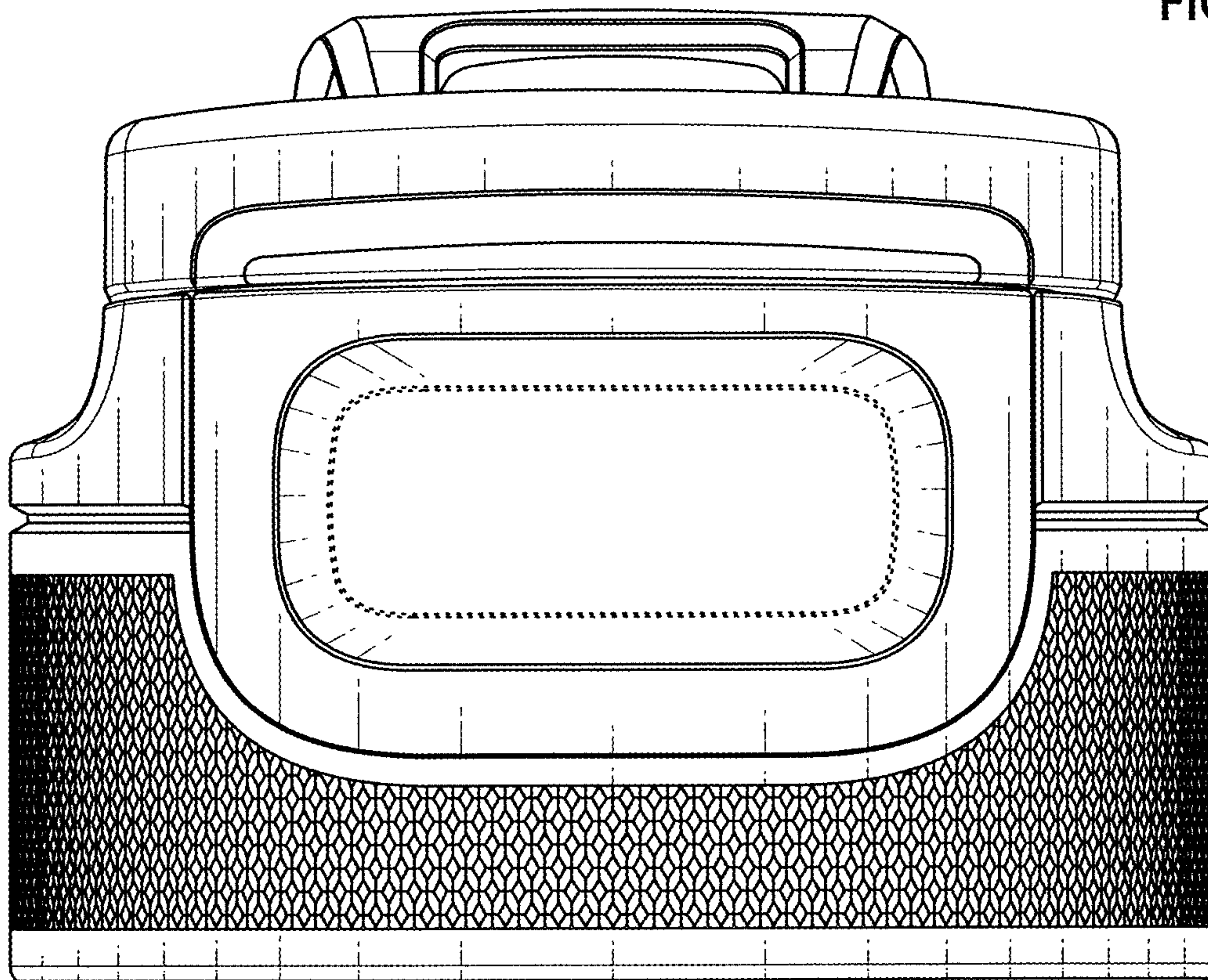


FIG. 3



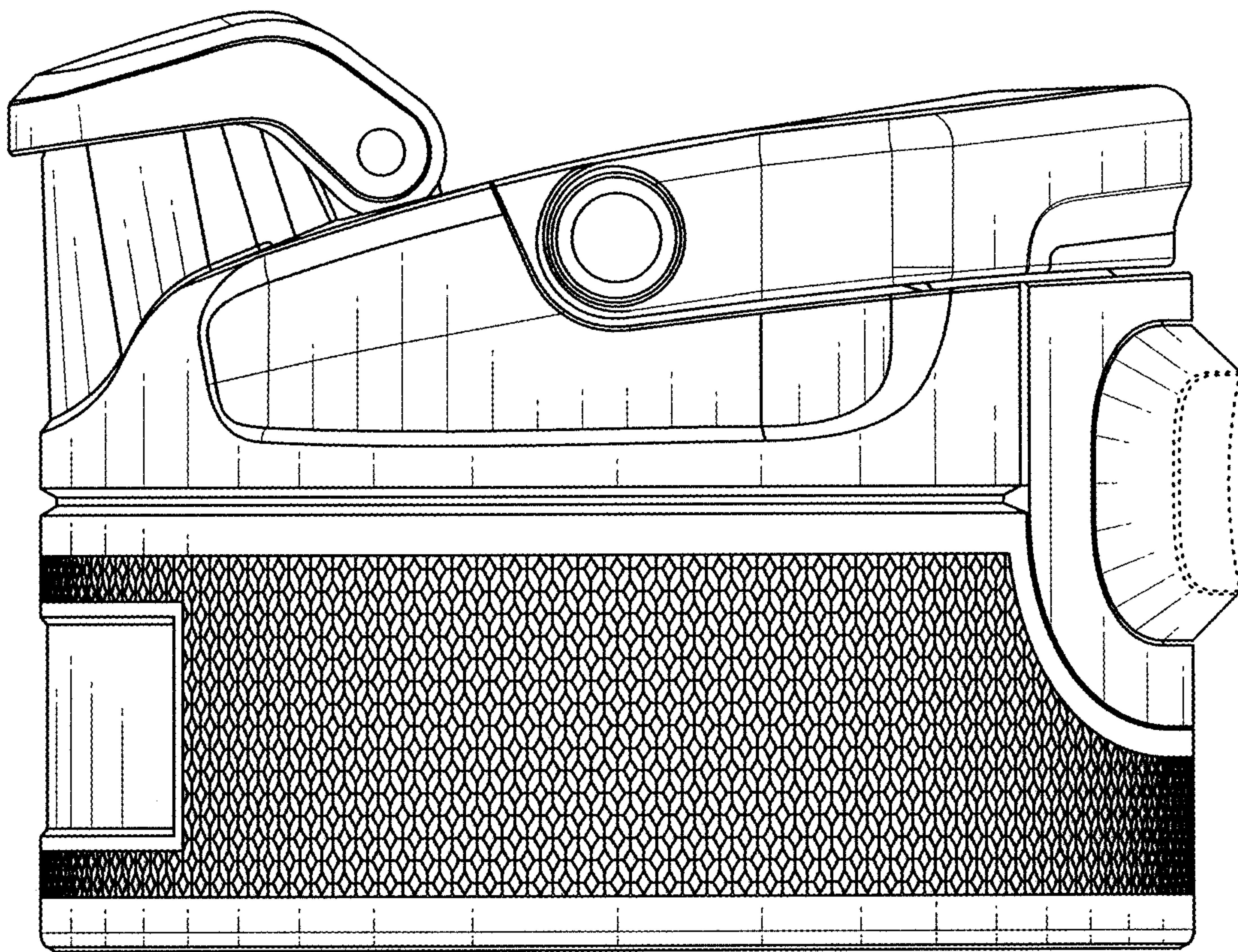


FIG. 4

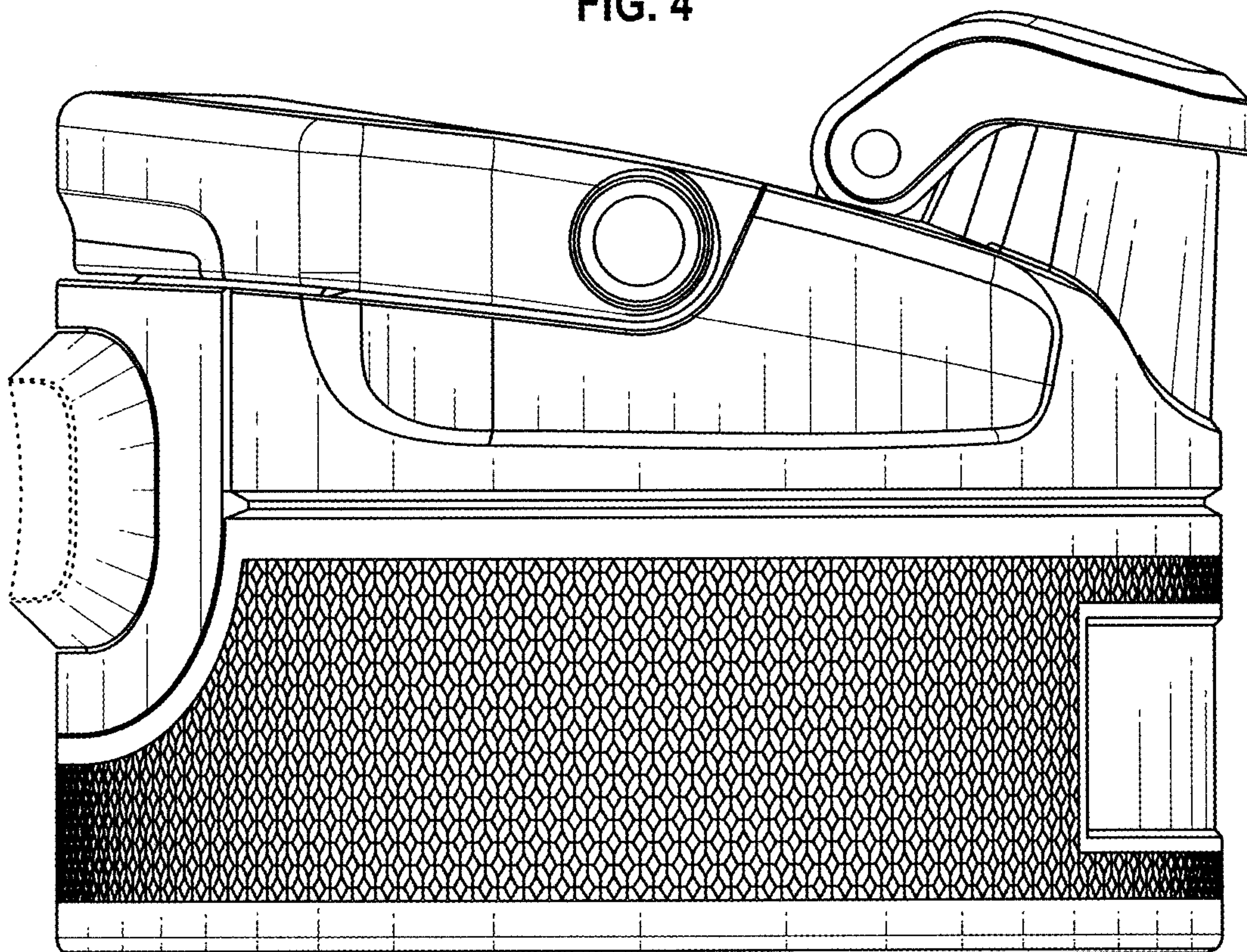


FIG. 5

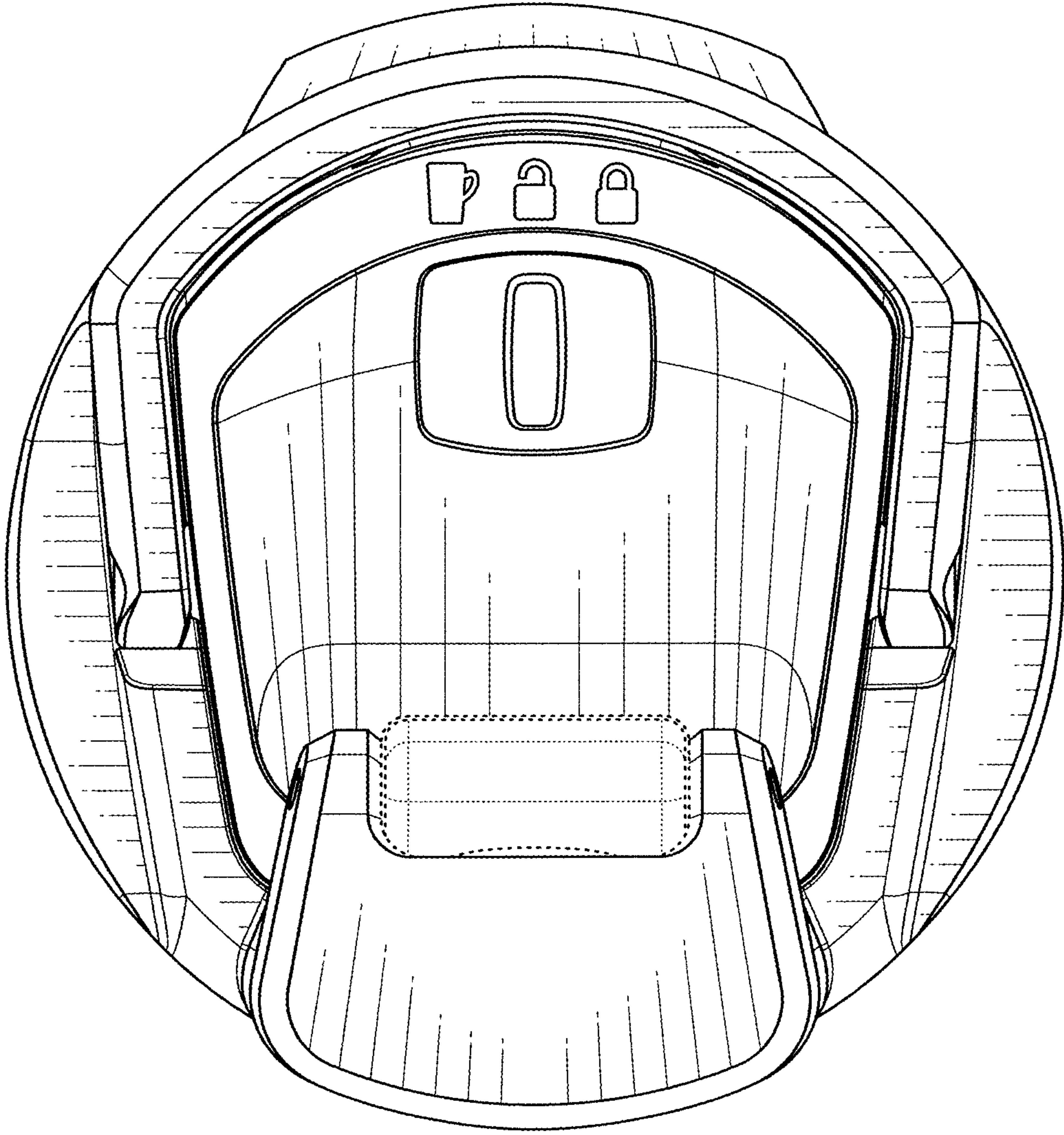


FIG. 6



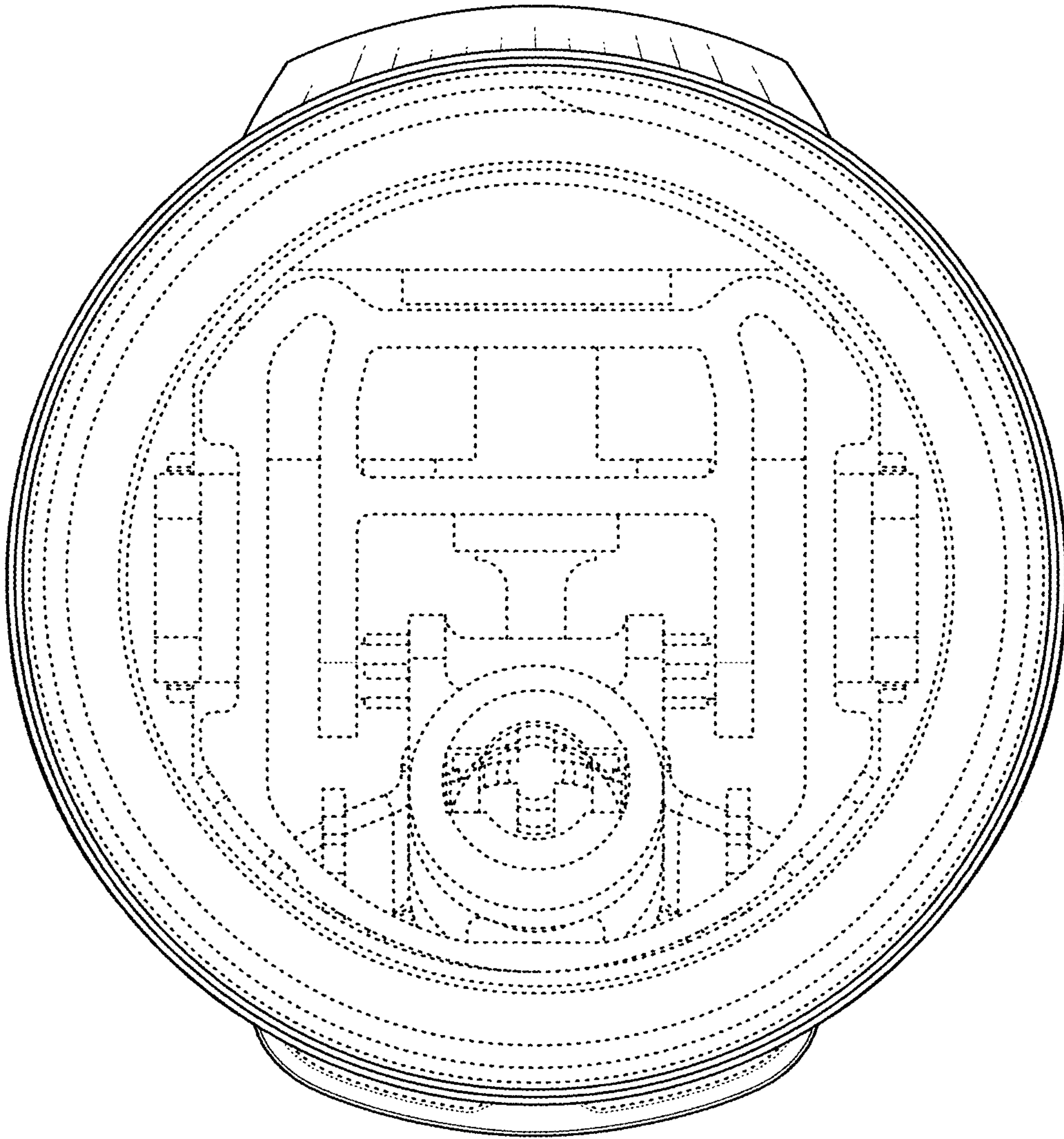


FIG. 7