



US00D865440S

(12) **United States Design Patent** (10) **Patent No.:** **US D865,440 S**  
**Lowette** (45) **Date of Patent:** **\*\* Nov. 5, 2019**

(54) **BOTTLE LID**  
(71) Applicant: **BIBO BRANDS BVBA**, Hasselt (BE)  
(72) Inventor: **Stijn Lowette**, Hasselt (BE)  
(73) Assignee: **Bibo Brands BVBA**, Hasselt (BE)  
(\*\*) Term: **15 Years**  
(21) Appl. No.: **29/650,836**  
(22) Filed: **Jun. 11, 2018**

(30) **Foreign Application Priority Data**

Dec. 12, 2017 (EM) ..... 004544450-0001

(51) **LOC (12) Cl.** ..... **07-99**

(52) **U.S. Cl.**  
USPC ..... **D7/392; D7/392.1**

(58) **Field of Classification Search**  
USPC ..... D7/391, 392, 392.1, 509, 510, 511, 533,  
D7/536, 538, 548, 300, 302, 303, 316,  
D7/317, 318, 320, 321, 322, 619.1;  
D9/435, 447, 449, 452, 453, 454, 780,  
D9/434, 440, 529, 549, 564

CPC ..... A47G 19/2272

See application file for complete search history.

(56) **References Cited**

**U.S. PATENT DOCUMENTS**

3,815,736 A \* 6/1974 Sedlak ..... A47G 19/26  
206/501  
D284,119 S \* 6/1986 Holloway ..... D28/89  
D458,081 S \* 6/2002 Bodum ..... D7/316  
D480,919 S \* 10/2003 Bin ..... D7/510  
D495,186 S \* 8/2004 Poupel ..... D7/300.1  
D503,069 S \* 3/2005 Dilollo ..... D7/392  
D510,678 S \* 10/2005 Krasne ..... D7/376  
D534,762 S \* 1/2007 Gluck ..... D7/392.1  
D548,524 S \* 8/2007 Meehan ..... D7/507

D587,060 S \* 2/2009 Tong Chi Chung ..... D7/317  
D592,054 S \* 5/2009 Floyd ..... D9/435  
D612,197 S \* 3/2010 Chan ..... D7/392.1  
D614,955 S \* 5/2010 Cresswell ..... D9/447  
D614,961 S \* 5/2010 Thomas ..... D9/435  
D625,146 S \* 10/2010 George ..... D7/392  
D655,967 S \* 3/2012 Bodum ..... D7/300.1  
D658,006 S \* 4/2012 Yao ..... D7/505  
D676,324 S \* 2/2013 DeMarco ..... D9/503  
D691,889 S \* 10/2013 Mettler ..... D9/454  
D726,498 S \* 4/2015 Bukhari ..... D7/510  
D728,372 S \* 5/2015 Behar ..... D9/454  
D729,067 S \* 5/2015 Behar ..... D9/454  
D751,331 S \* 3/2016 Rashid ..... D7/316  
D758,792 S \* 6/2016 Karussi ..... D7/392.1  
D766,085 S \* 9/2016 Smith ..... D9/449  
D770,853 S \* 11/2016 Gschwandt ..... D7/510  
D787,270 S \* 5/2017 Mishan ..... D7/536  
D790,278 S \* 6/2017 Szymanski ..... D7/510

(Continued)

*Primary Examiner* — Karen S Acker

*Assistant Examiner* — Steven B Reinholdt, Jr.

(74) *Attorney, Agent, or Firm* — Kirschstein, Israel,  
Schiffmiller & Pieroni, P.C.

(57) **CLAIM**

The ornamental design for a bottle lid, as shown and described.

**DESCRIPTION**

FIG. 1 is a top, front, and left perspective view of a bottle lid according to my new design.

FIG. 2 is a rear elevation view thereof.

FIG. 3 is a front elevation view thereof.

FIG. 4 is a right side elevation view thereof.

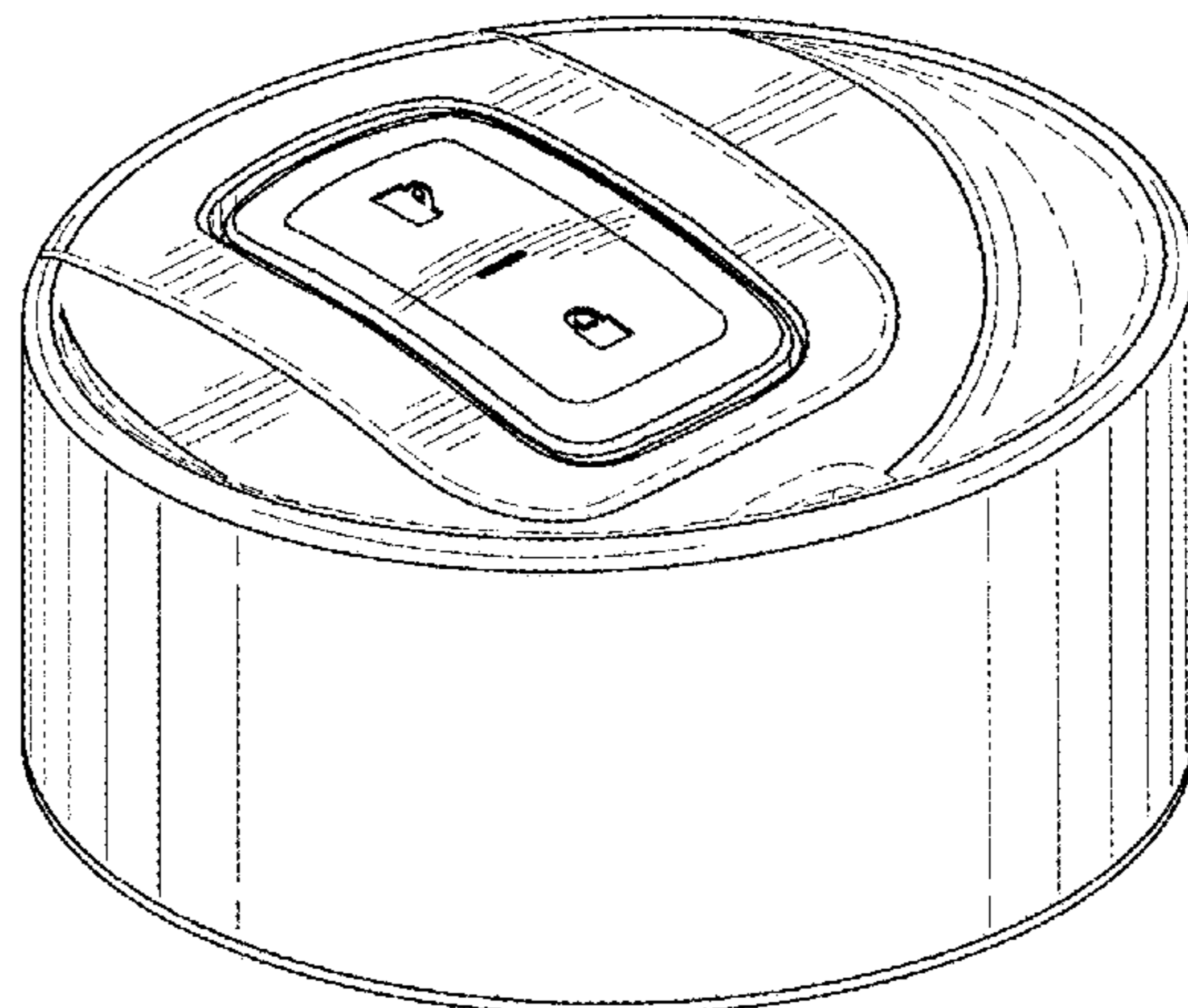
FIG. 5 is a left side elevation view thereof.

FIG. 6 is a bottom plan view thereof; and,

FIG. 7 is a top plan view thereof.

The broken lines in the drawings illustrate portions of the bottle lid that form no part of the claimed design.

**1 Claim, 7 Drawing Sheets**



(56)

**References Cited**

U.S. PATENT DOCUMENTS

D799,963 S \* 10/2017 Akiyama ..... D9/454  
D803,619 S \* 11/2017 Seiders ..... D7/392.1  
D818,312 S \* 5/2018 Burns ..... D7/396.2  
D833,807 S \* 11/2018 Mebberson ..... D7/392.1  
D834,938 S \* 12/2018 Barnes ..... D9/435  
2016/0270572 A1\* 9/2016 Karussi ..... A47G 19/2272

\* cited by examiner

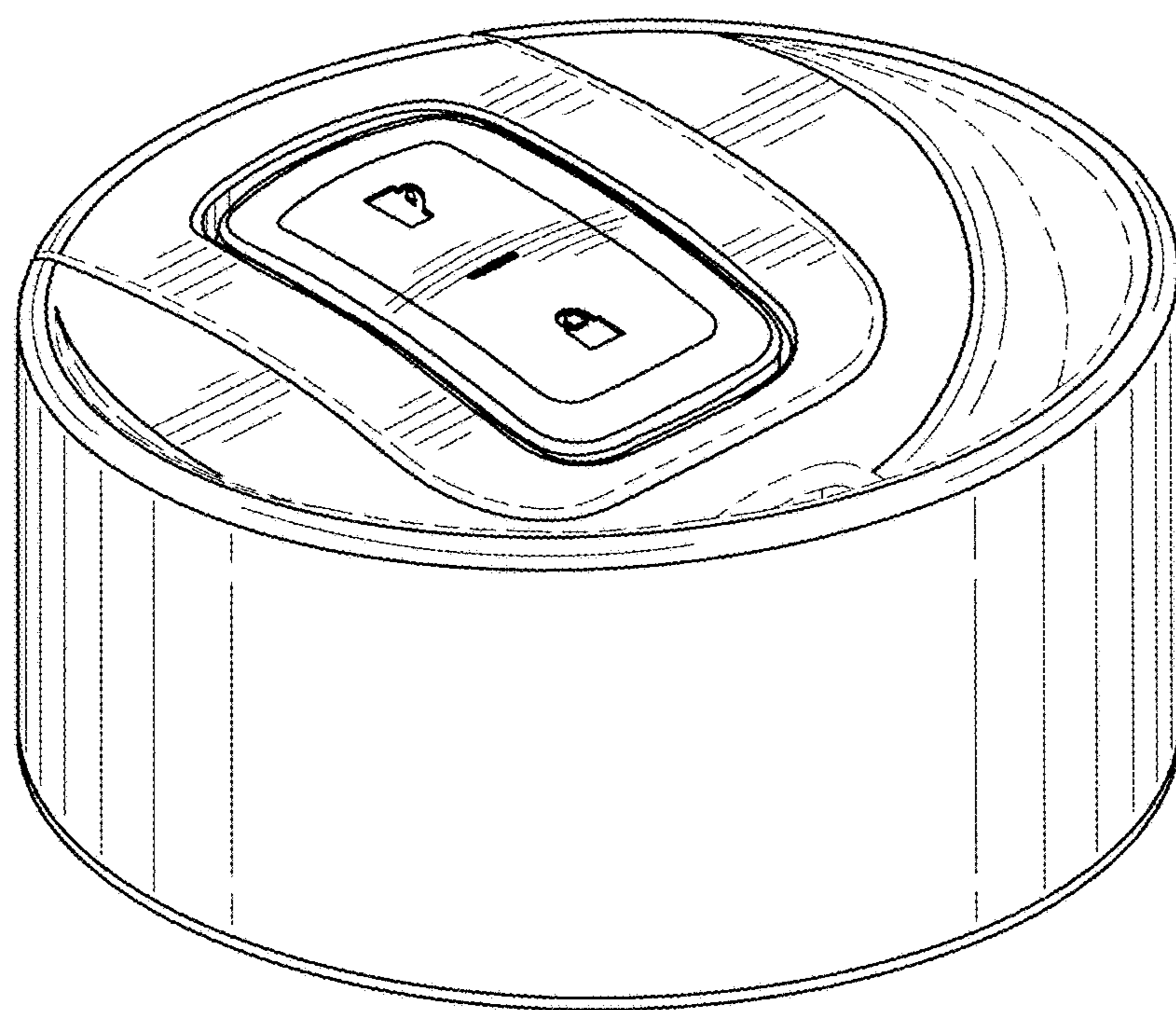


FIG. 1

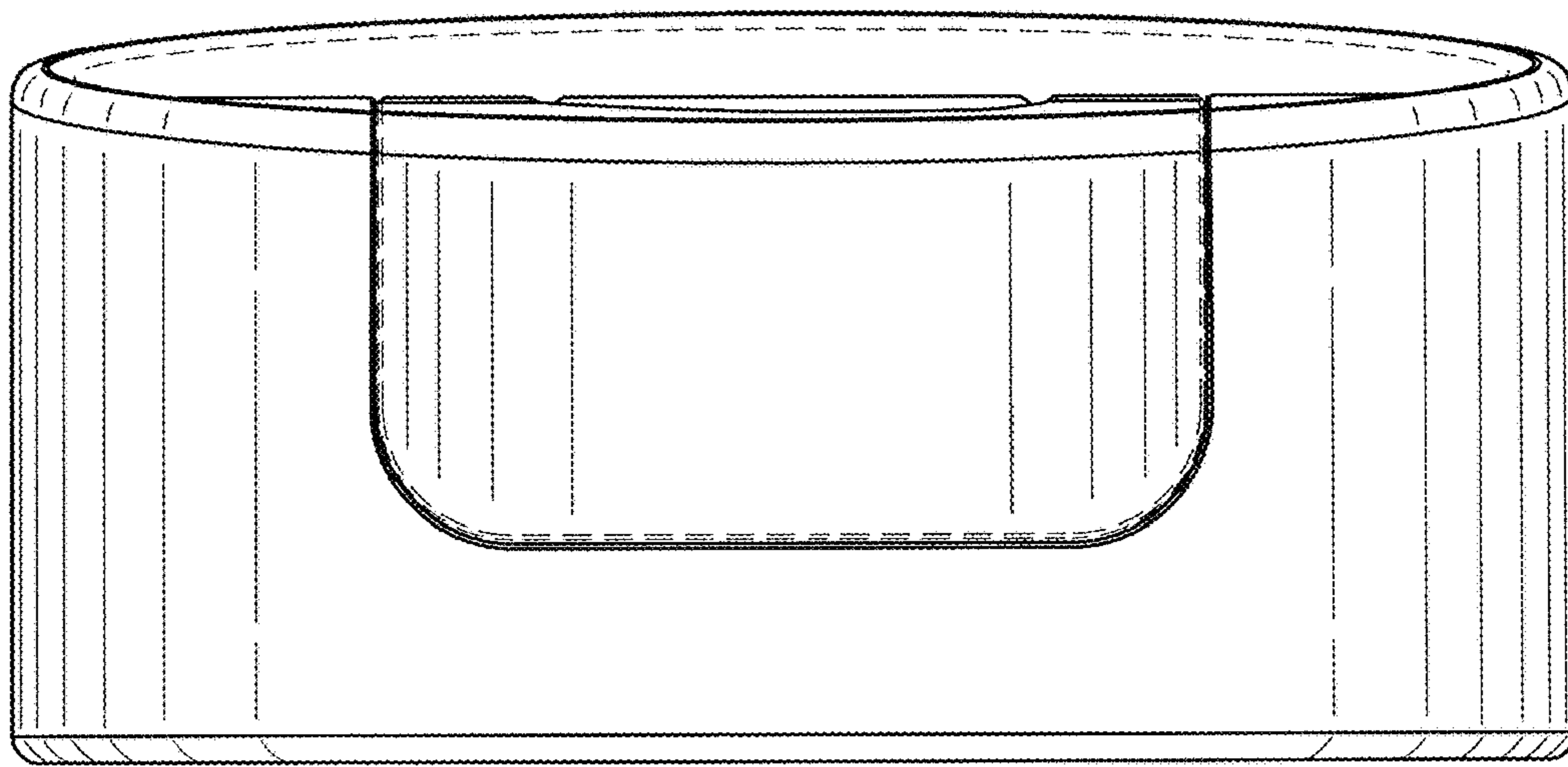


FIG. 2

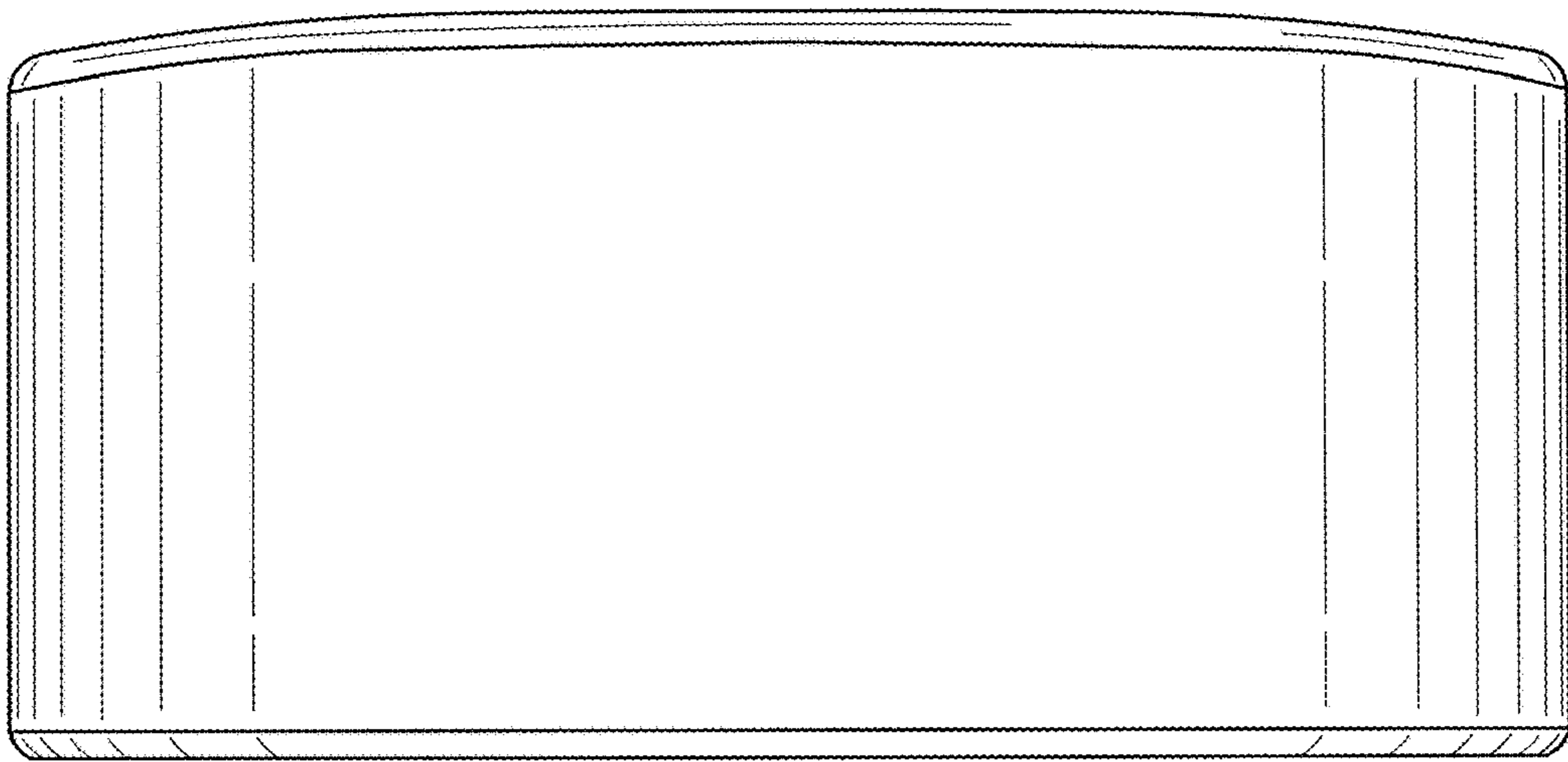


FIG. 3

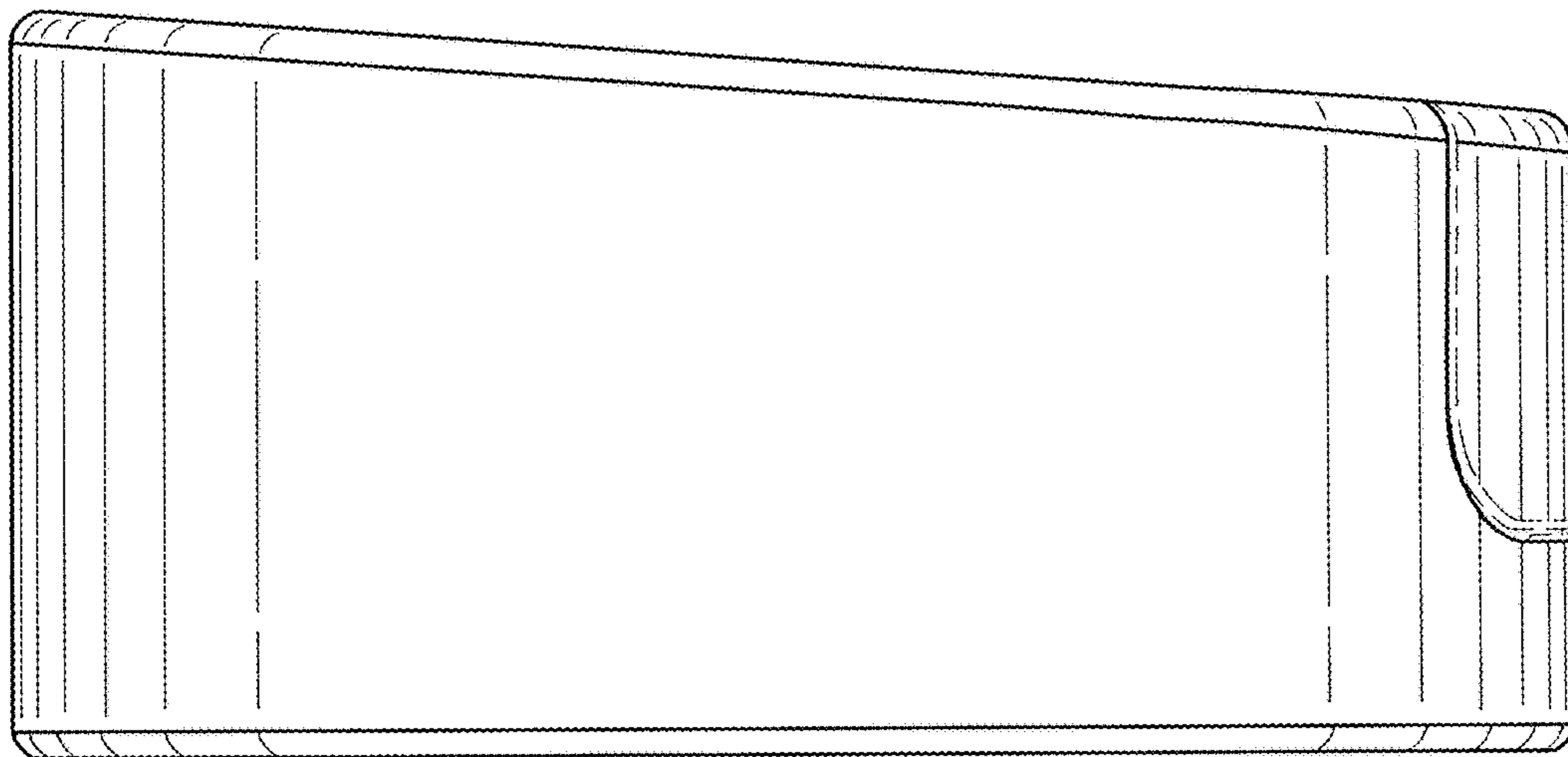


FIG. 4

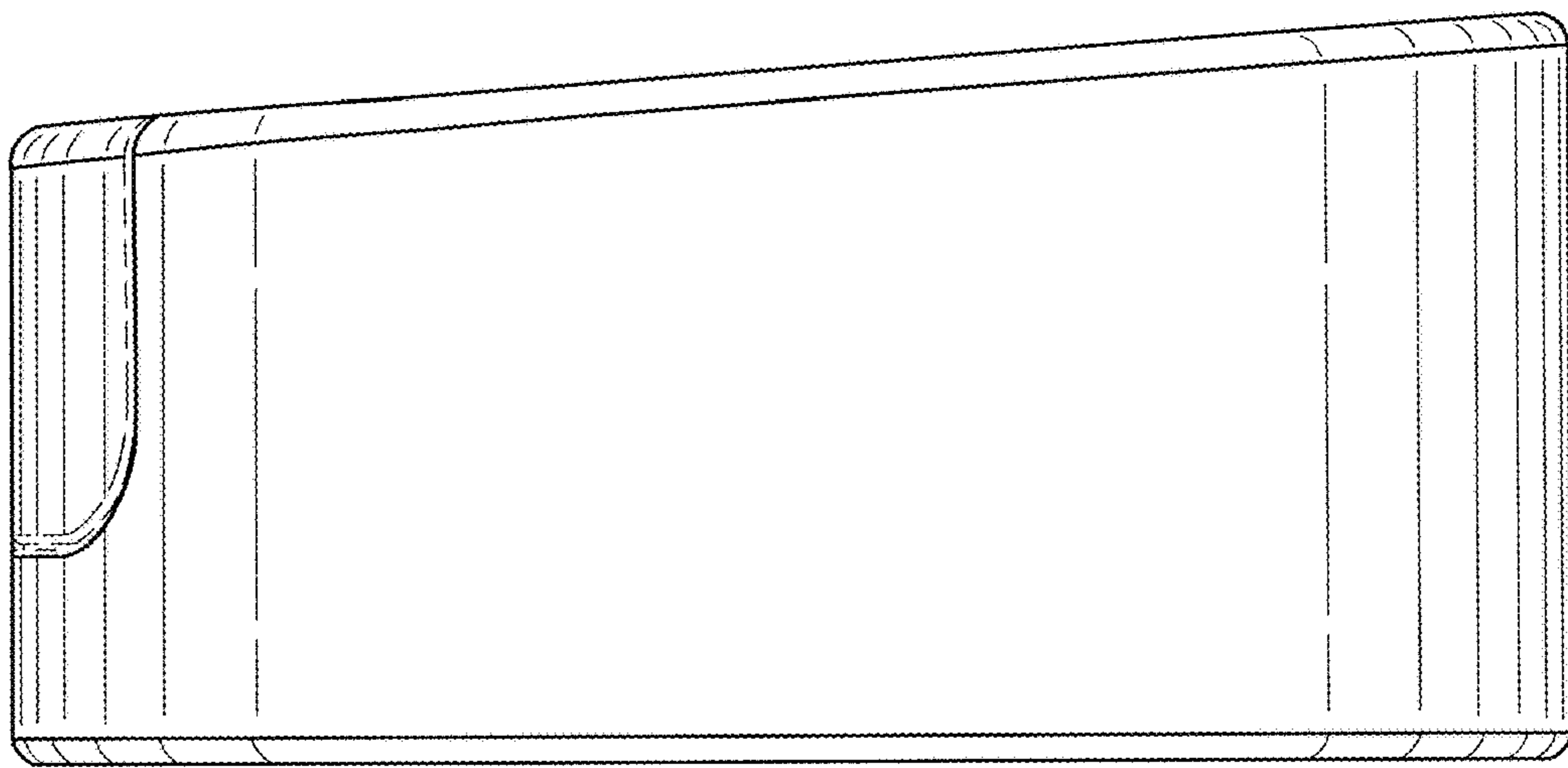


FIG. 5

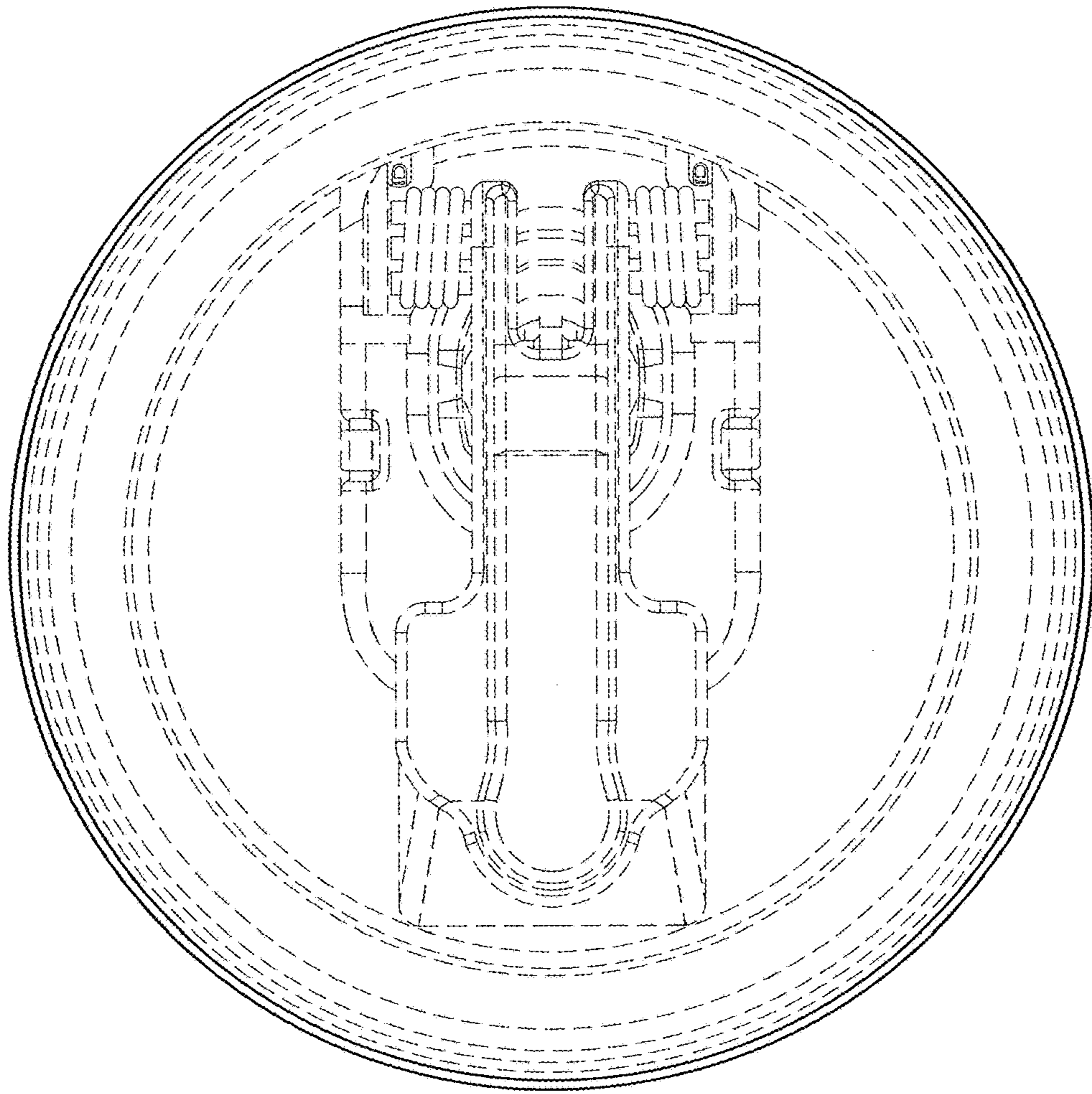


FIG. 6



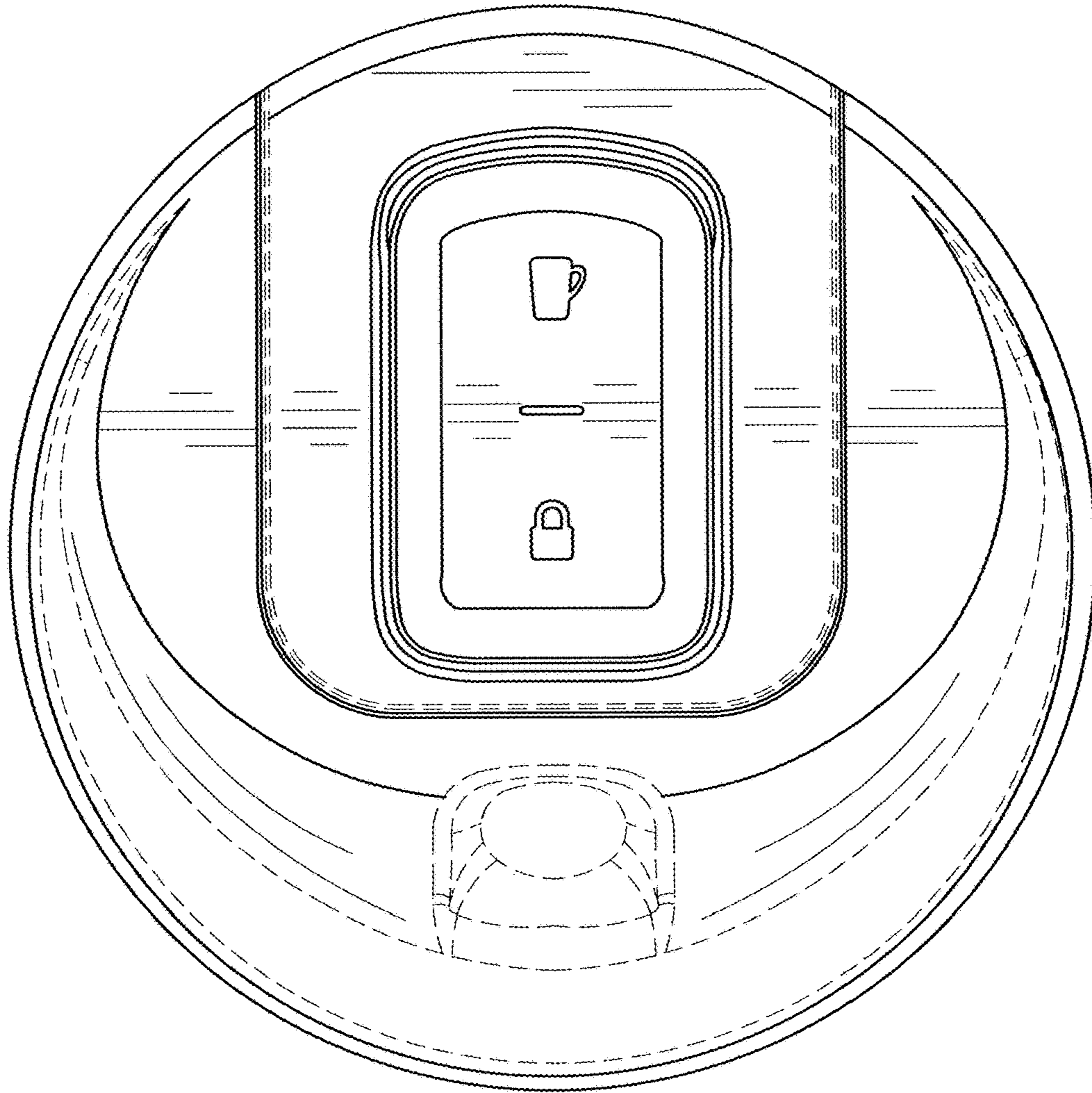


FIG. 7