



US00D865439S

(12) **United States Design Patent** (10) **Patent No.:** **US D865,439 S**
Matsumoto et al. (45) **Date of Patent:** **** Nov. 5, 2019**

(54) **SUGAR STORAGE DEVICE**

(71) Applicants: **Tamotsu Matsumoto**, Chiba (JP);
Makiko Kida, Ichikawa (JP); **Taiki Nosaka**, Funabashi (JP)

(72) Inventors: **Tamotsu Matsumoto**, Chiba (JP);
Makiko Kida, Ichikawa (JP); **Taiki Nosaka**, Funabashi (JP)

(73) Assignee: **HELEN OF TROY LIMITED**, St. Michael (BB)

(**) Term: **15 Years**

(21) Appl. No.: **29/630,114**

(22) Filed: **Dec. 19, 2017**

(51) **LOC (12) Cl.** **07-02**

(52) **U.S. Cl.**
USPC **D7/391**

(58) **Field of Classification Search**
USPC D7/391, 392, 392.1, 393, 397, 601–602,
D7/629–630, 538–542; D9/414,
D9/424–432, 435, 451–454, 499;
D14/205, 217
CPC A47J 36/027; A47J 36/06; A47J 37/10;
A47J 37/101; B65D 1/22; B65D 21/0209;
B65D 43/00; B65D 43/02; B65D
43/0206; B65D 43/022; B65D 43/161;
B65D 43/162; B65D 45/00; B65D 45/16;
B65D 45/18; B65D 45/32; B65D 51/16;
B65D 51/1683; B65D 51/1688; B65D
51/1694; B65D 2251/00; B65F 1/1615

See application file for complete search history.

(56) **References Cited**

U.S. PATENT DOCUMENTS

4,307,817 A *	12/1981	Cotroneo	B65D 1/22 215/DIG. 1
4,369,892 A *	1/1983	Uhlig	B65D 45/32 220/320
D286,026 S *	10/1986	Rayner	D9/435
D445,687 S *	7/2001	Gilbertson	D7/392.1
D495,600 S *	9/2004	Kouri	D9/435
D526,564 S *	8/2006	Slavin	D9/454
D528,359 S *	9/2006	Laib	D7/392.1
D562,684 S *	2/2008	Brashear	D9/454
D632,959 S *	2/2011	Peters	D9/454
D637,997 S *	5/2011	Peller	D14/205
D665,491 S *	8/2012	Goel	D15/144
D718,136 S *	11/2014	Harrity	D9/499
D827,612 S *	9/2018	Srouf	D14/217

* cited by examiner

Primary Examiner — Ricky Pham

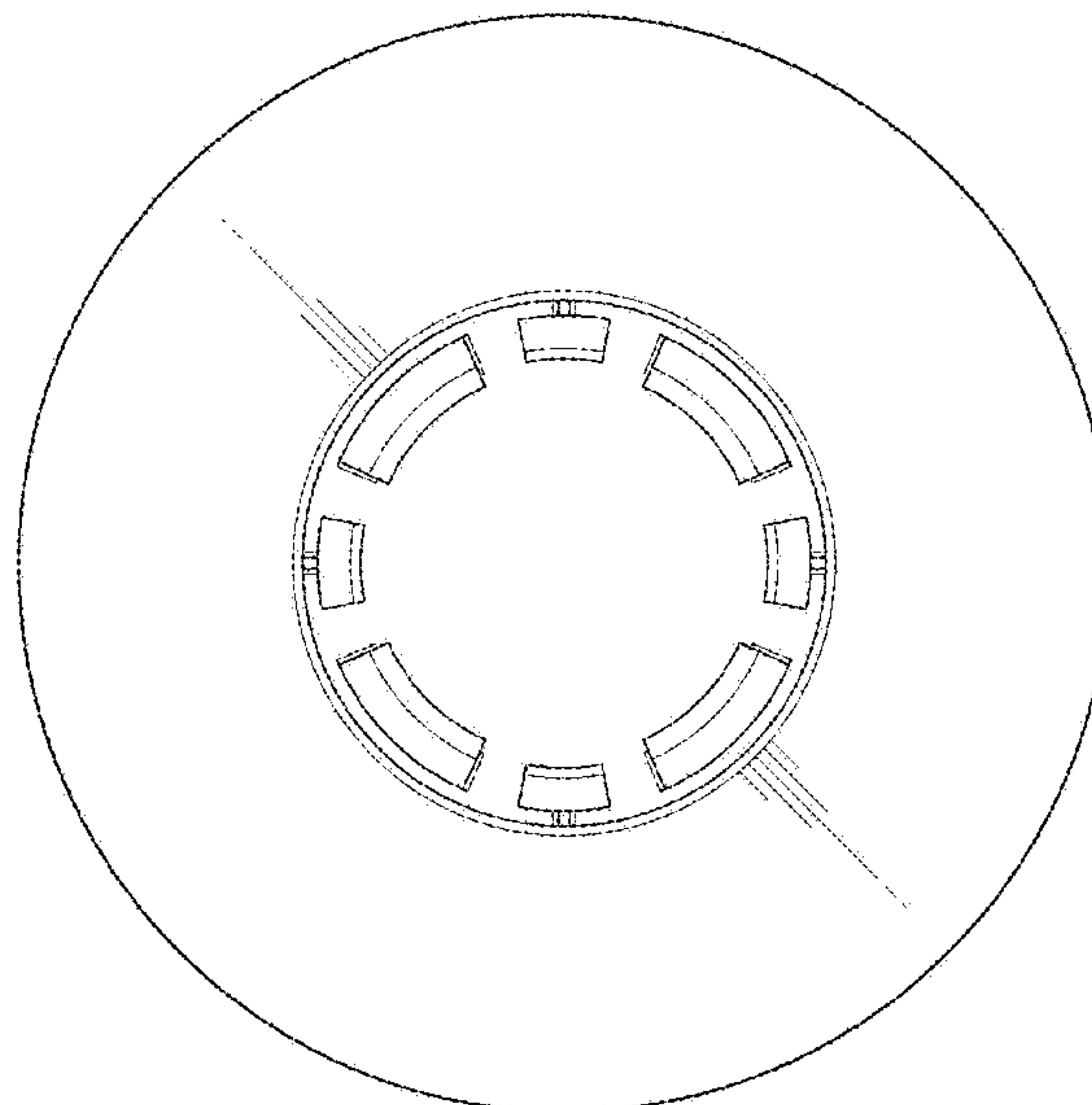
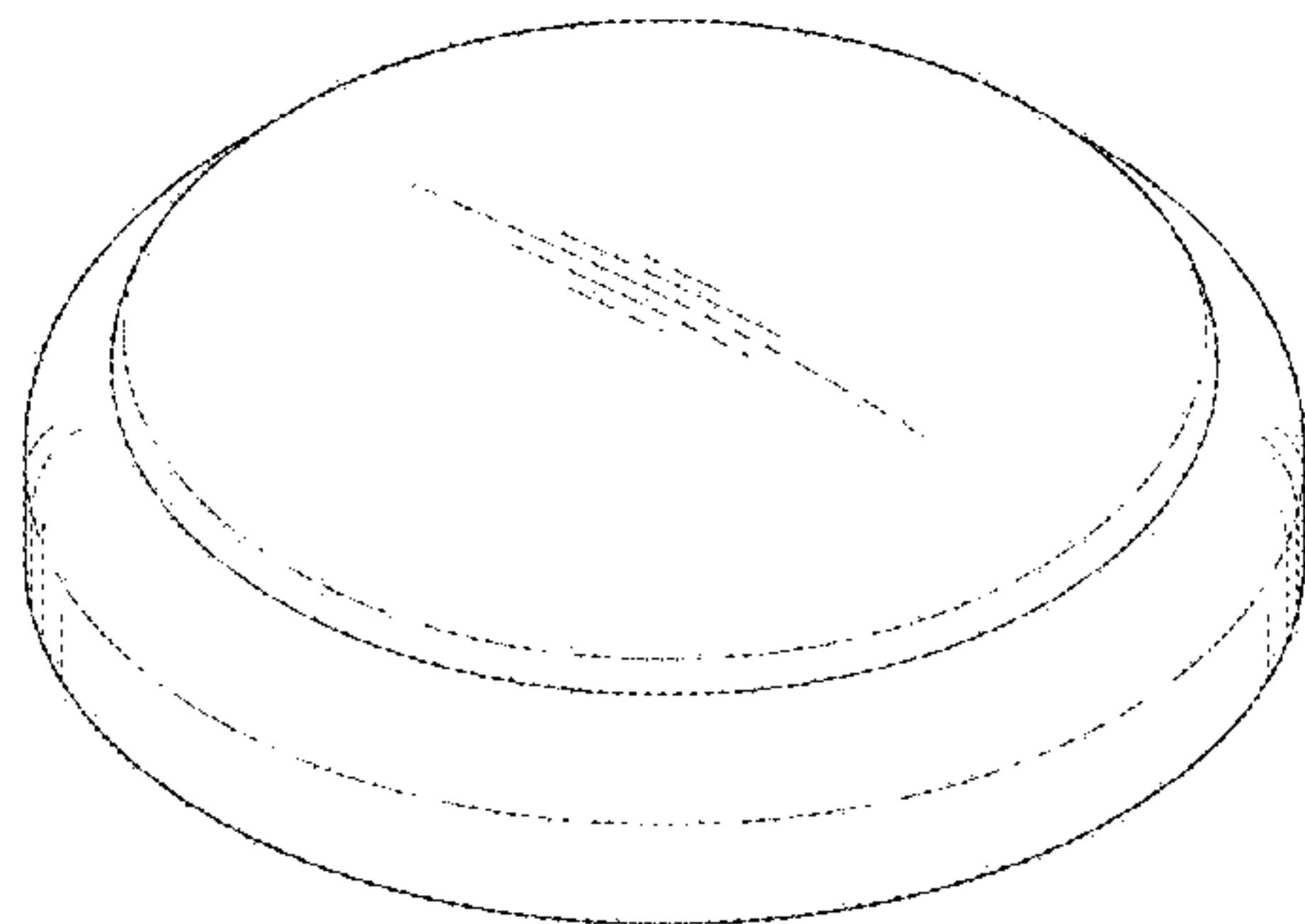
(57) **CLAIM**

The ornamental designs for a sugar storage device, as shown, and described.

DESCRIPTION

FIG. 1 is a perspective view of a sugar storage device; FIG. 2 is a right elevation view thereof (with the left a mirror image thereof); FIG. 3 is a front elevation view thereof (with the rear a mirror image thereof); FIG. 4 is a top view thereof; and, FIG. 5 is a bottom view thereof.

1 Claim, 5 Drawing Sheets



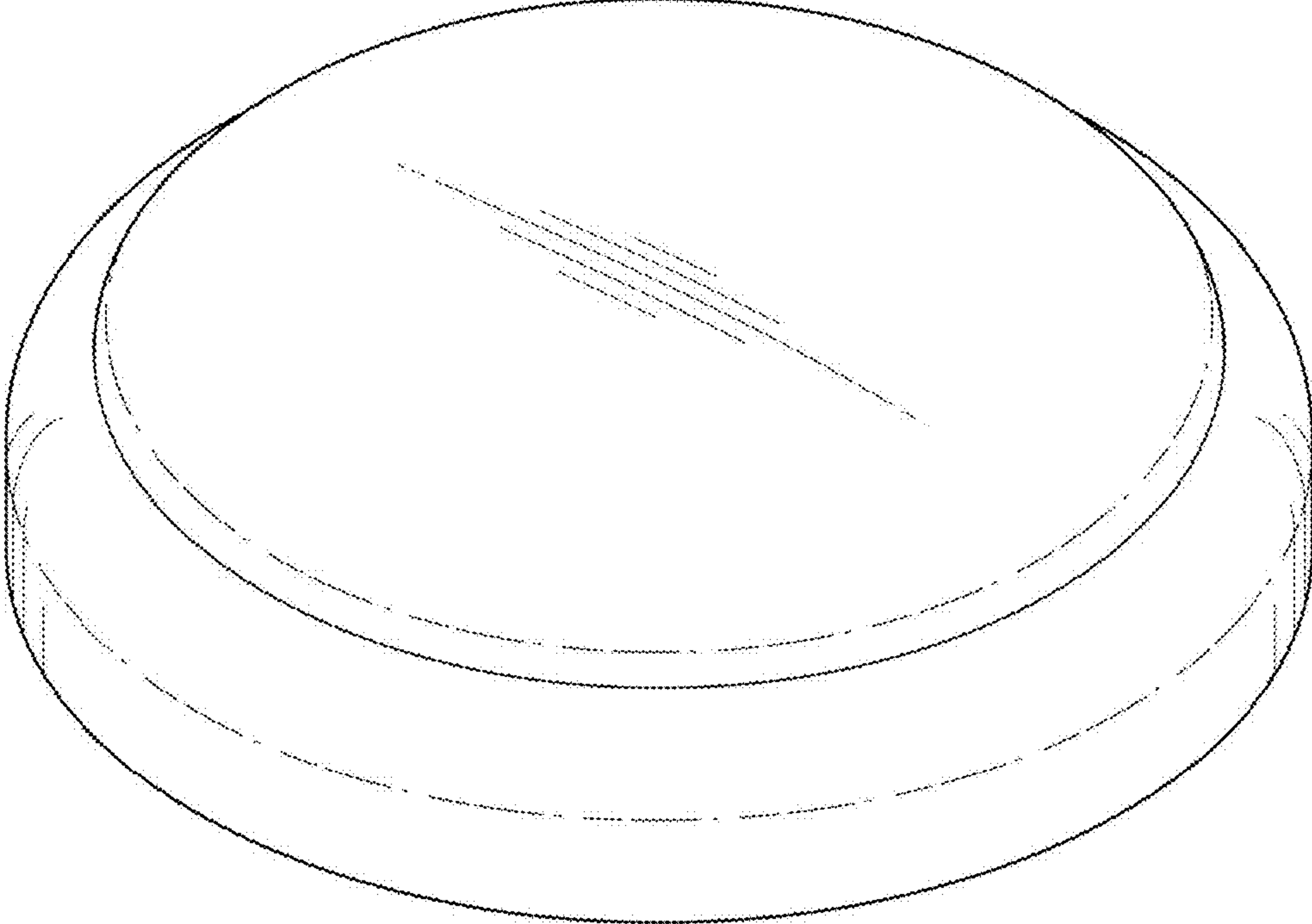


FIG. 1

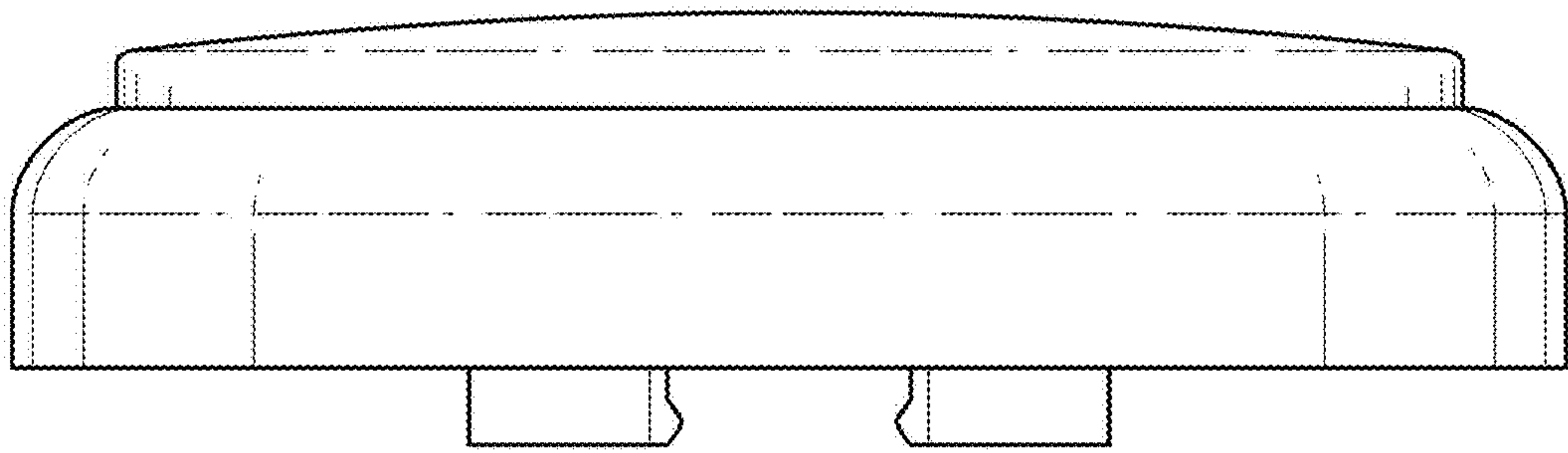


FIG. 2

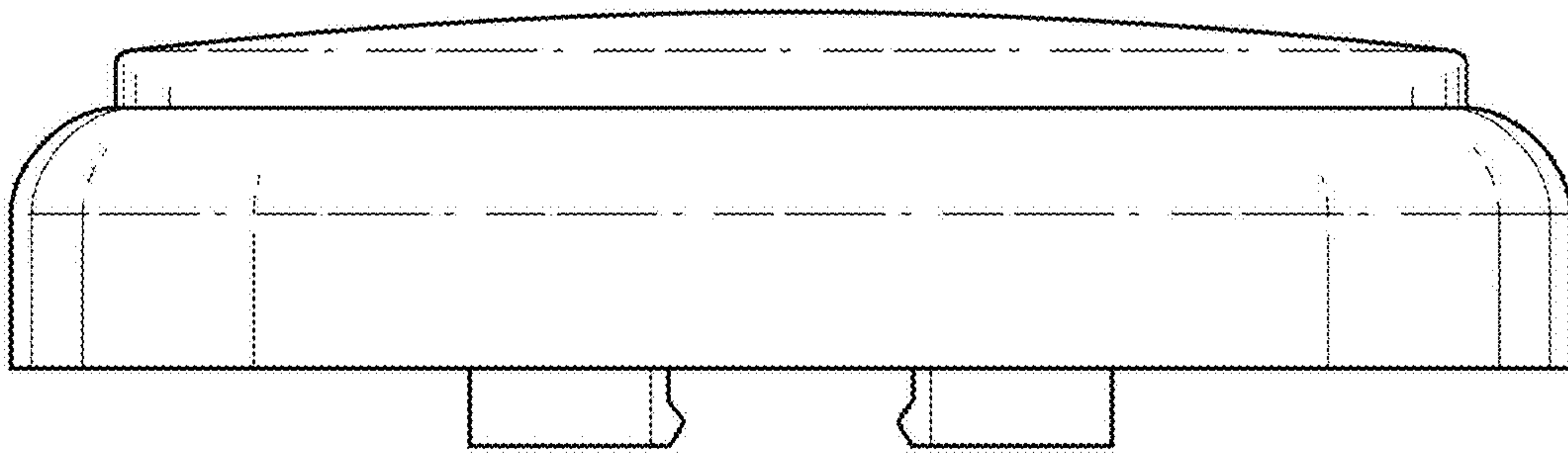


FIG. 3

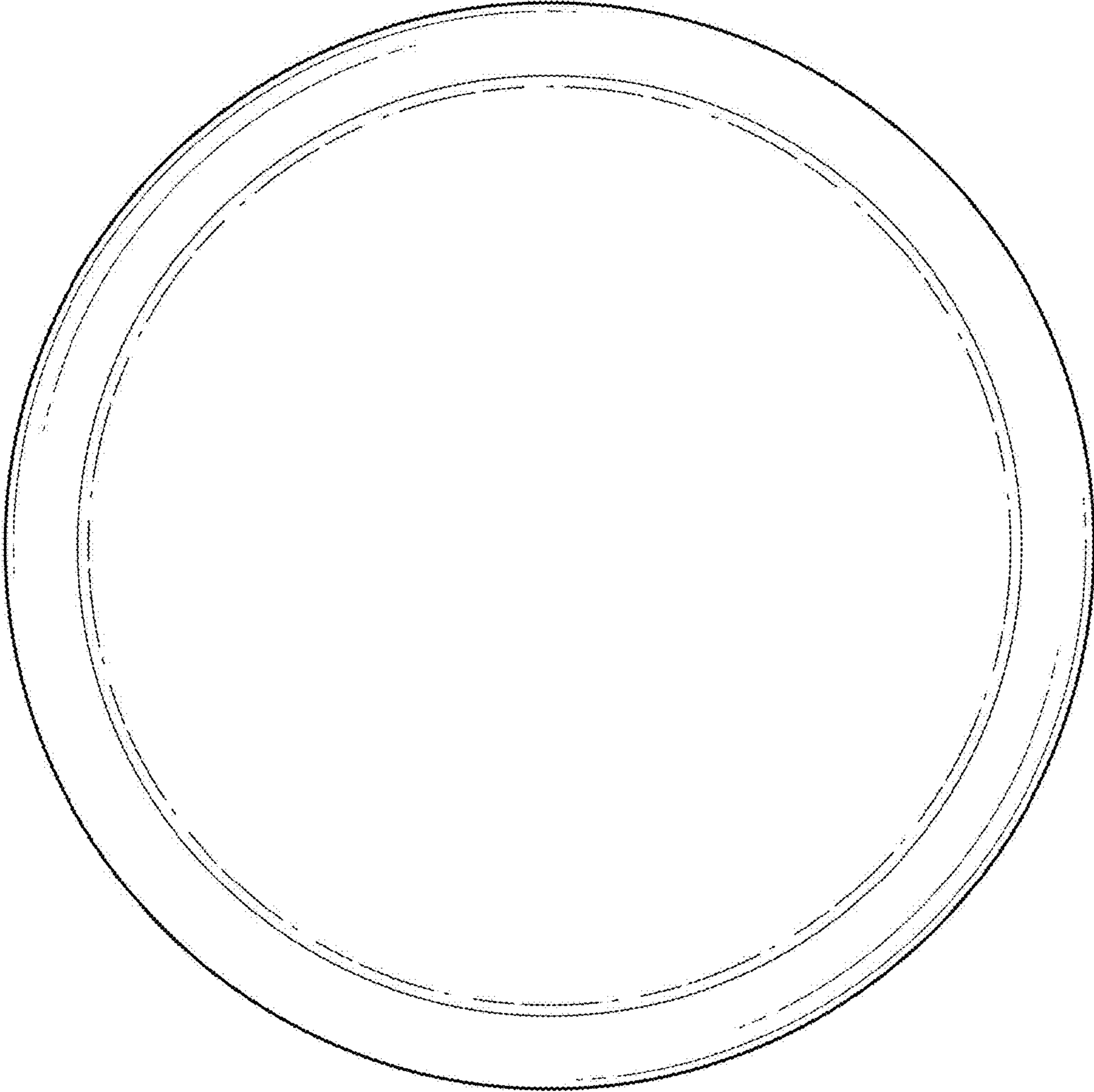


FIG. 4

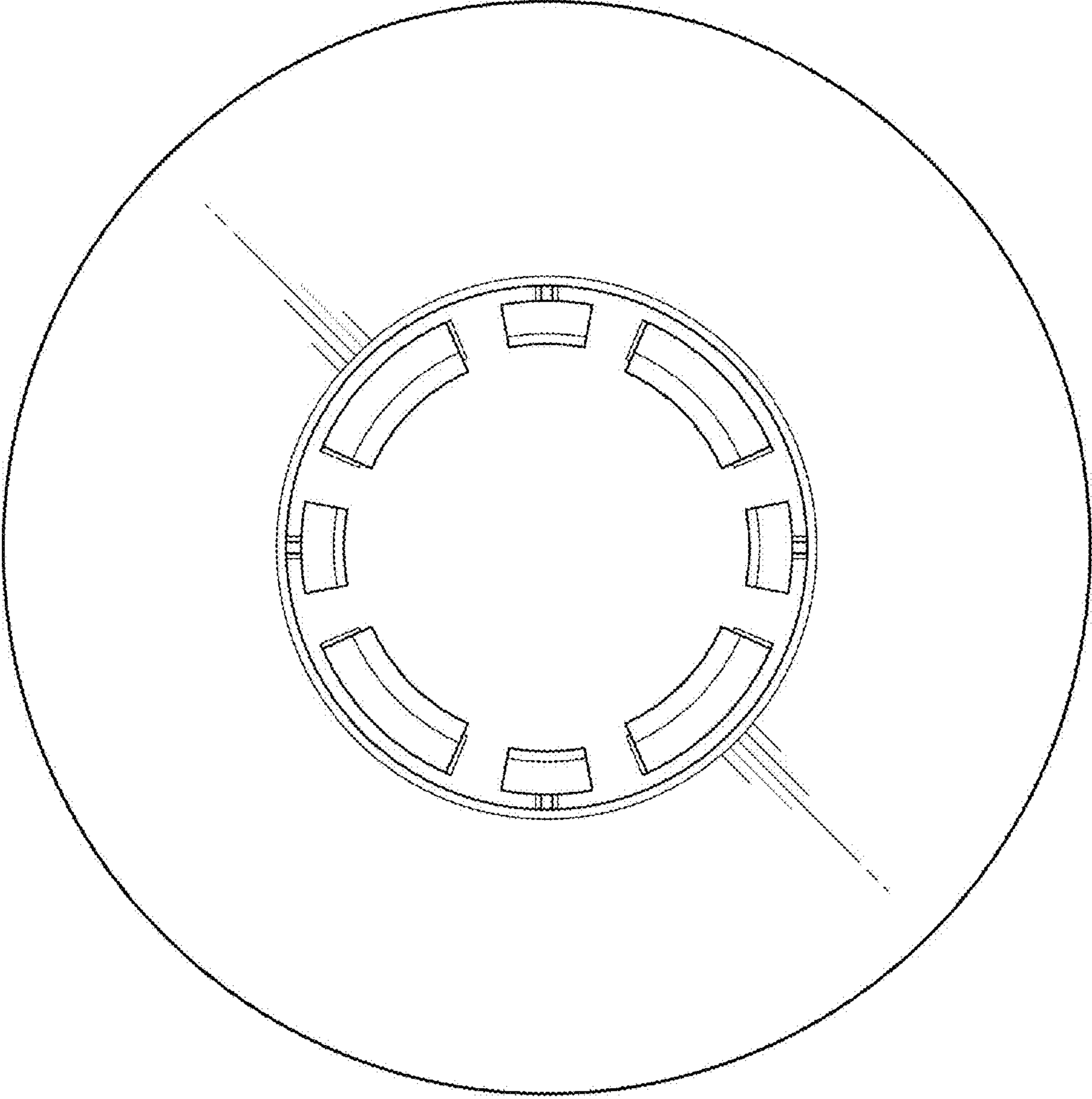


FIG. 5