



US00D865437S

(12) **United States Design Patent** (10) **Patent No.:** **US D865,437 S**
Steiner et al. (45) **Date of Patent:** **** Nov. 5, 2019**

(54) **MIXER BOWL** 2,677,947 A * 5/1954 Van Guilder A47J 45/077
16/443

(71) Applicant: **Hamilton Beach Brands, Inc.**, Glen Allen, VA (US) D448,966 S 10/2001 Hsieh
D450,530 S * 11/2001 Mauch D7/384
6,367,963 B2 4/2002 Sanpei et al.

(72) Inventors: **Mark C Steiner**, Midlothian, VA (US);
Koen Aidan Ambrose, Glen Allen, VA (US) 6,410,068 B2 6/2002 Goldston
6,470,793 B1 10/2002 Vogt
6,668,704 B1 12/2003 Lassota
D499,604 S * 12/2004 Hooper D7/376
7,014,354 B2 3/2006 Donthnier et al.

(73) Assignee: **Hamilton Beach Brands, Inc.**, Glen Allen, VA (US) 7,175,338 B2 2/2007 Hooper et al.
D616,699 S * 6/2010 Hoare D7/376
7,950,843 B2 5/2011 Blackburn et al.
D654,304 S * 2/2012 Bodum D7/376
8,251,567 B2 8/2012 Brunswick et al.

(**) Term: **15 Years** D668,915 S * 10/2012 Drees D7/543
8,438,968 B2 5/2013 Warner
D701,078 S * 3/2014 Gonzalez D7/376

(21) Appl. No.: **29/655,296**

(22) Filed: **Jul. 2, 2018**

(51) **LOC (12) Cl.** **31-00**

(52) **U.S. Cl.**
USPC **D7/379; D7/376; D7/384**

(58) **Field of Classification Search**
USPC D7/372, 376-386, 412-413, 548, 586,
D7/602, 629, 665-666, 669, 679,
D7/693-694
CPC A21C 1/02; A21C 1/04; A23N 1/00; A23N
1/02; A47J 43/04; A47J 43/25; A47J
43/27; A47J 43/042; A47J 43/044; A47J
43/046; A47J 43/075; A47J 43/0711;
A47J 43/0722; A47J 43/0727; A47J
45/077; B01F 3/00; B01F 3/0807; B01F
3/0853; B01F 13/0059; B01F 13/0064;
B02C 1/08; B02C 2/04; B02C 4/42;
B02C 4/142; B02C 4/143; B02C 4/423;
B02C 13/1835; B28C 5/10; B28C 5/12;
B28C 5/14; B28C 5/16

See application file for complete search history.

(Continued)

FOREIGN PATENT DOCUMENTS

WO WO9319606 8/1993
Primary Examiner — Ricky Pham
(74) *Attorney, Agent, or Firm* — Alexander D. Raring

(57) **CLAIM**

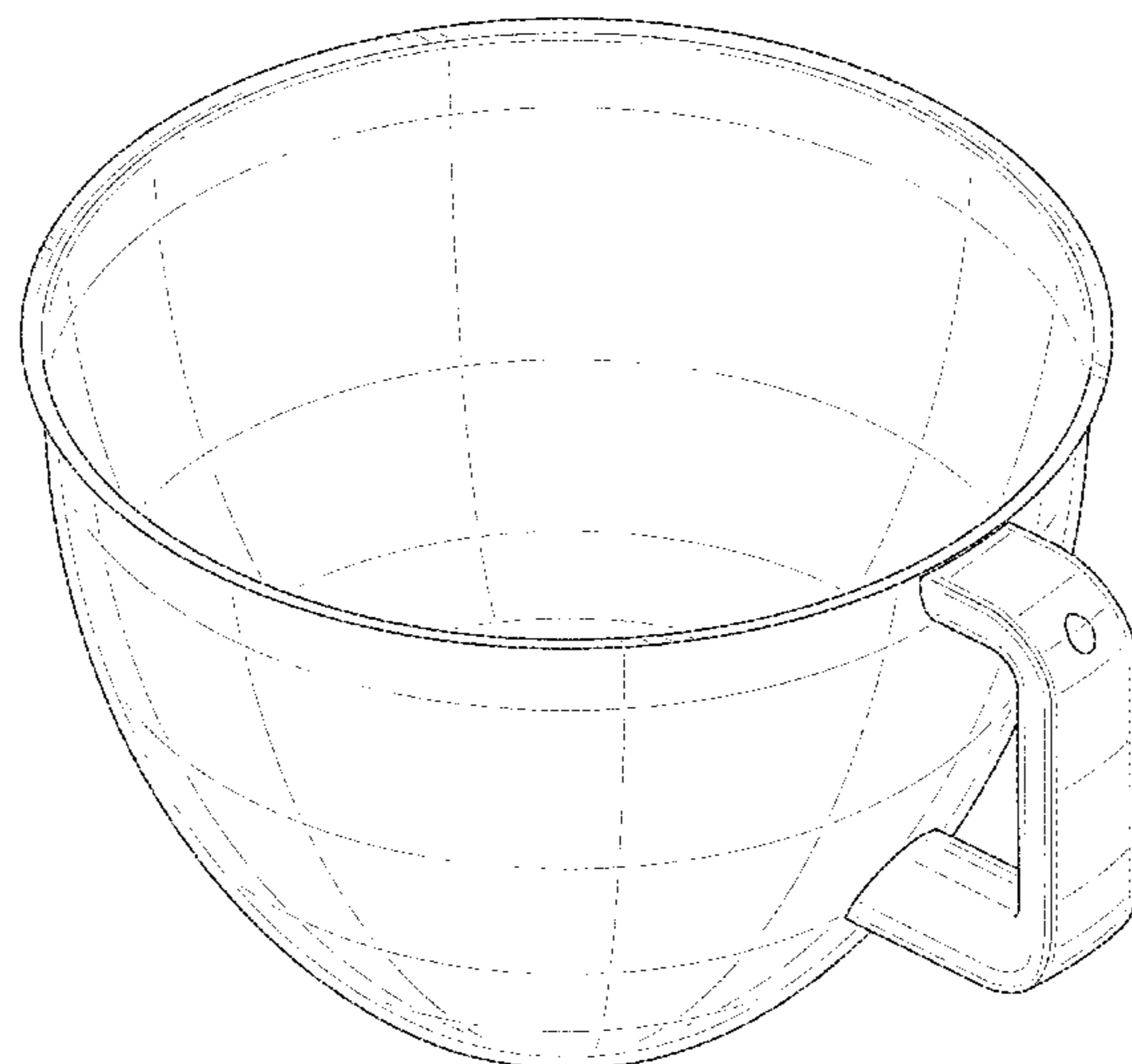
The ornamental design for a mixer bowl, as shown and described.

DESCRIPTION

FIG. 1 is a perspective view as seen from the top, right and rear sides of a standmixer bowl showing the new design; FIG. 2 is a right side view thereof; FIG. 3 is a left side view thereof; FIG. 4 is a front view thereof; FIG. 5 is a rear view thereof; FIG. 6 is a top view thereof; FIG. 7 is a bottom view thereof; and, FIG. 8 is a cutaway view there of illustrating the interior contour of the standmixer bowl.

1 Claim, 8 Drawing Sheets

(56) **References Cited**
U.S. PATENT DOCUMENTS
1,761,237 A 6/1930 Schiff
2,137,547 A 11/1938 Snow



(56)

References Cited

U.S. PATENT DOCUMENTS

D702,487 S * 4/2014 Gillette D7/376
D717,118 S * 11/2014 Frerichs A47J 45/077
D7/548
D748,428 S * 2/2016 Yuan A47J 43/0711
D7/376
D753,434 S * 4/2016 Bazzicalupo D7/376
D772,643 S * 11/2016 Bazzicalupo D7/376
2008/0291777 A1 11/2008 Schnipke et al.
2012/0081992 A1* 4/2012 Annis A47J 43/0711
366/309

* cited by examiner

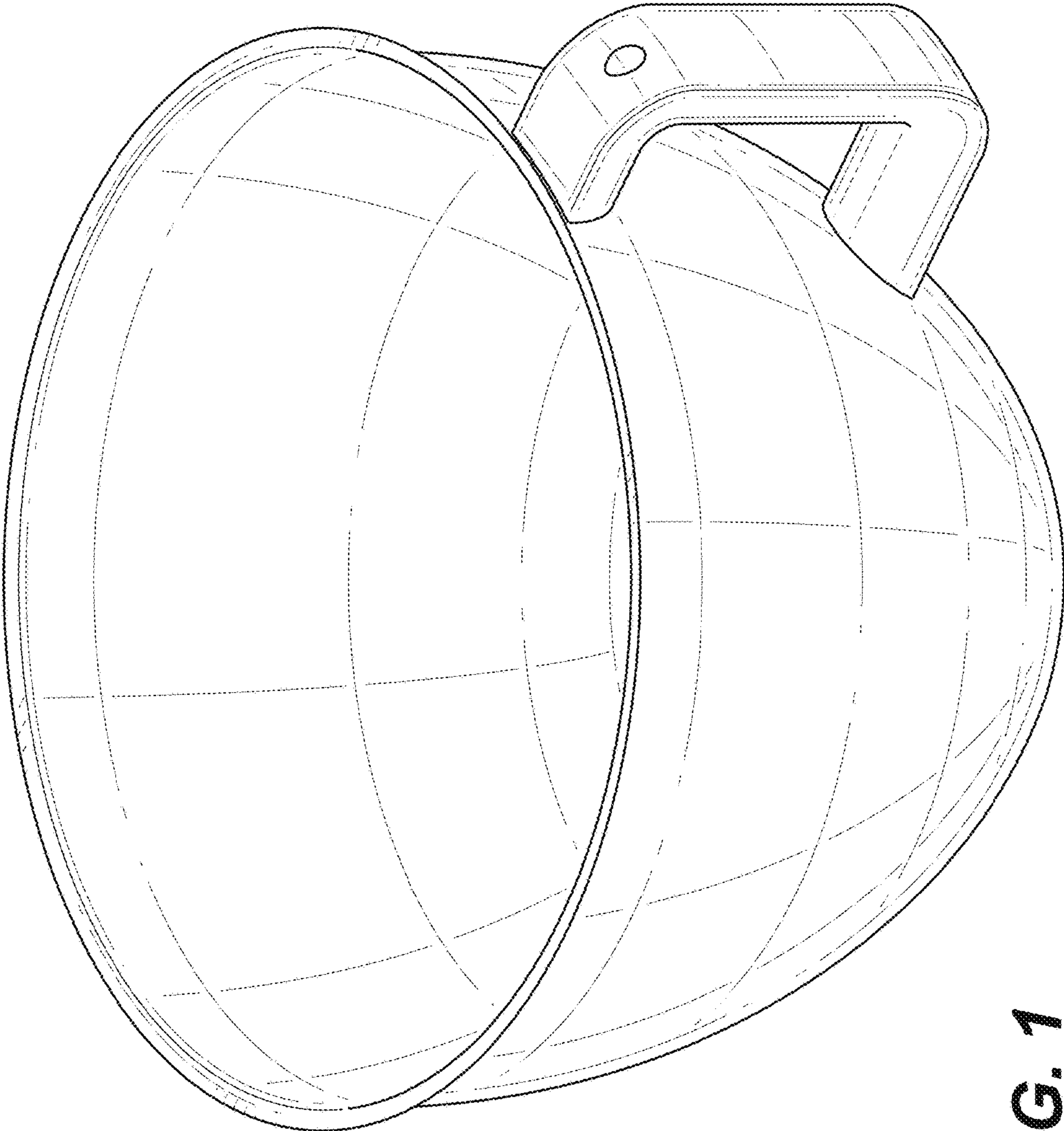


FIG. 1

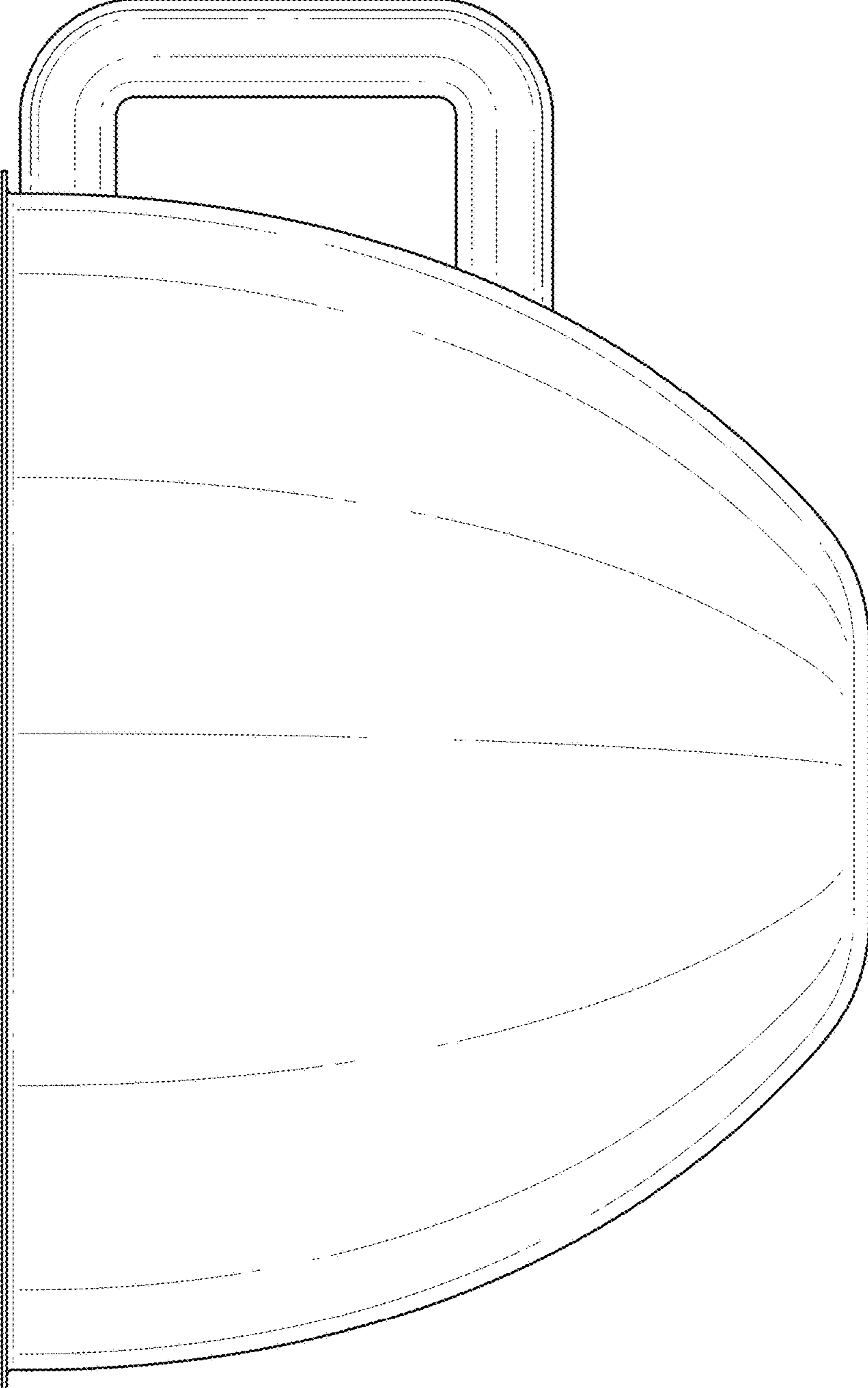


FIG. 2

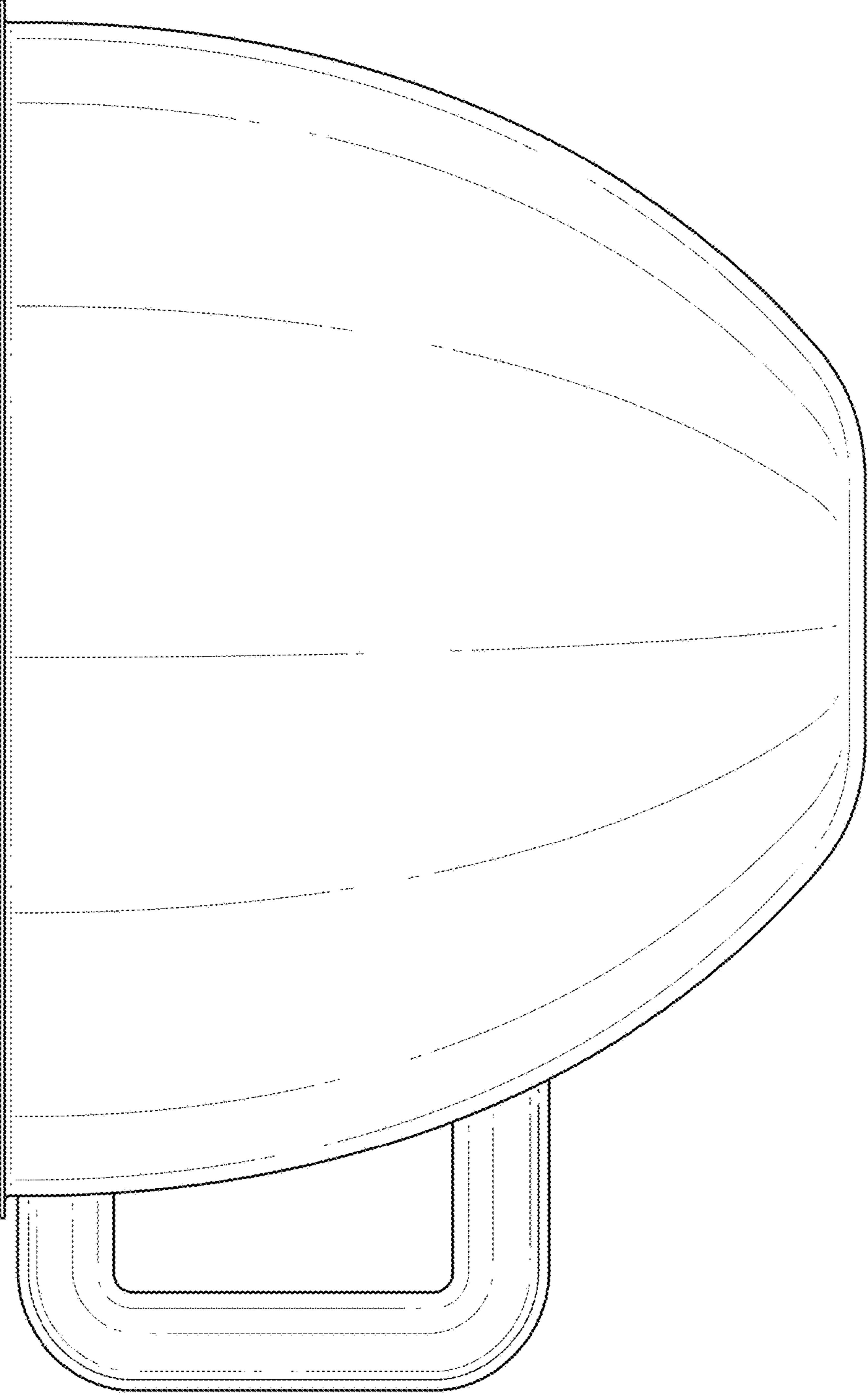


FIG. 3

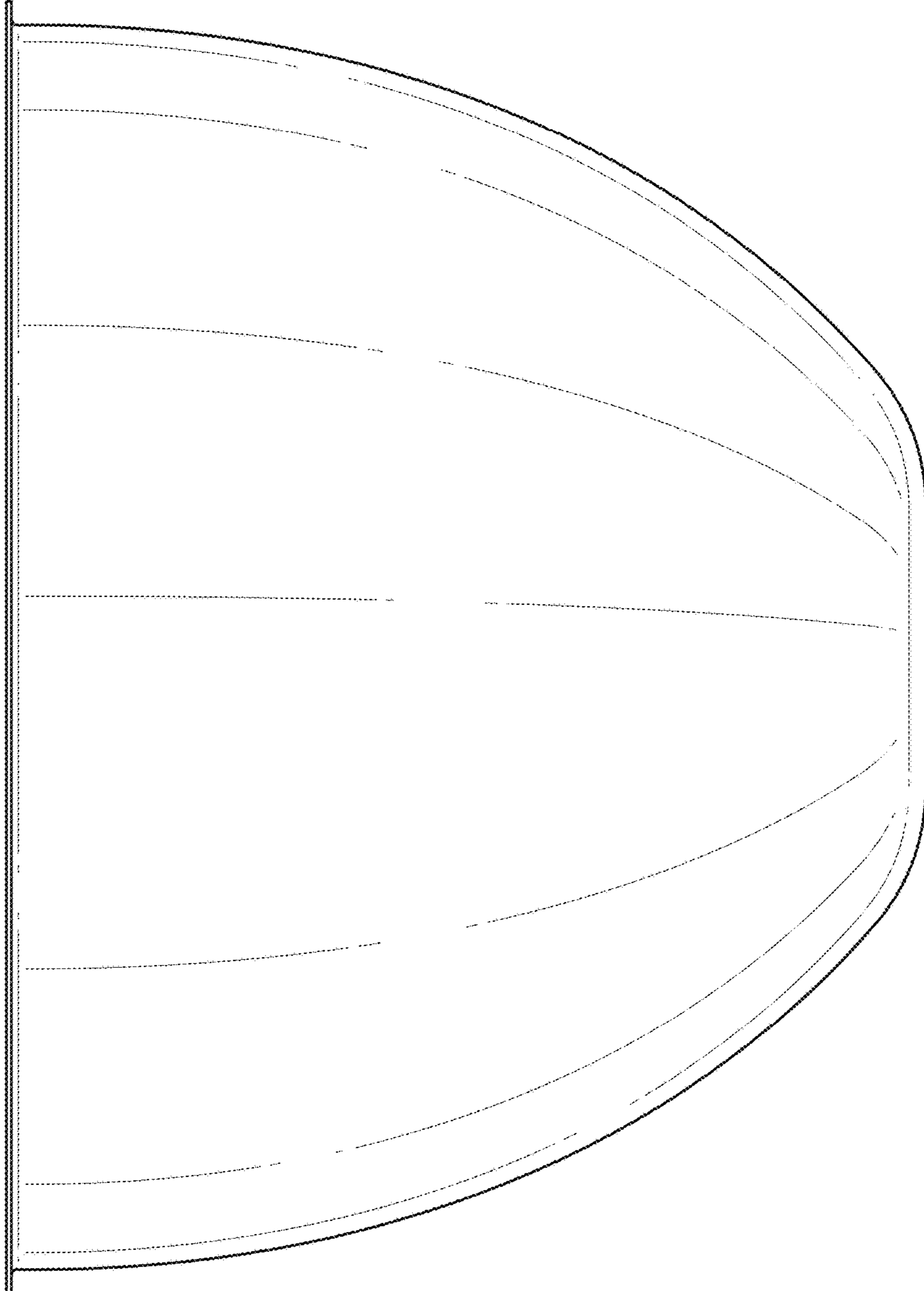


FIG. 4

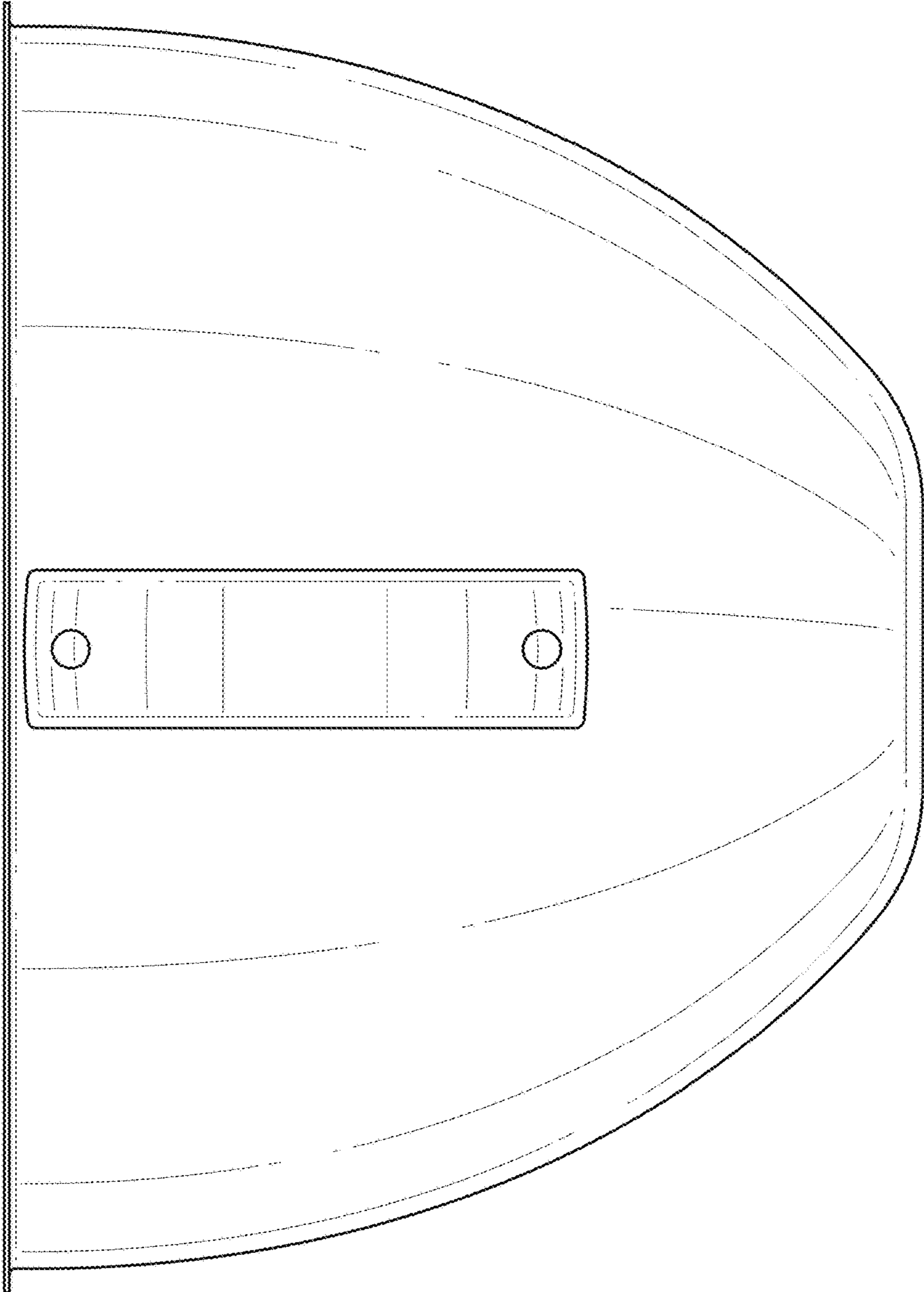


FIG. 5

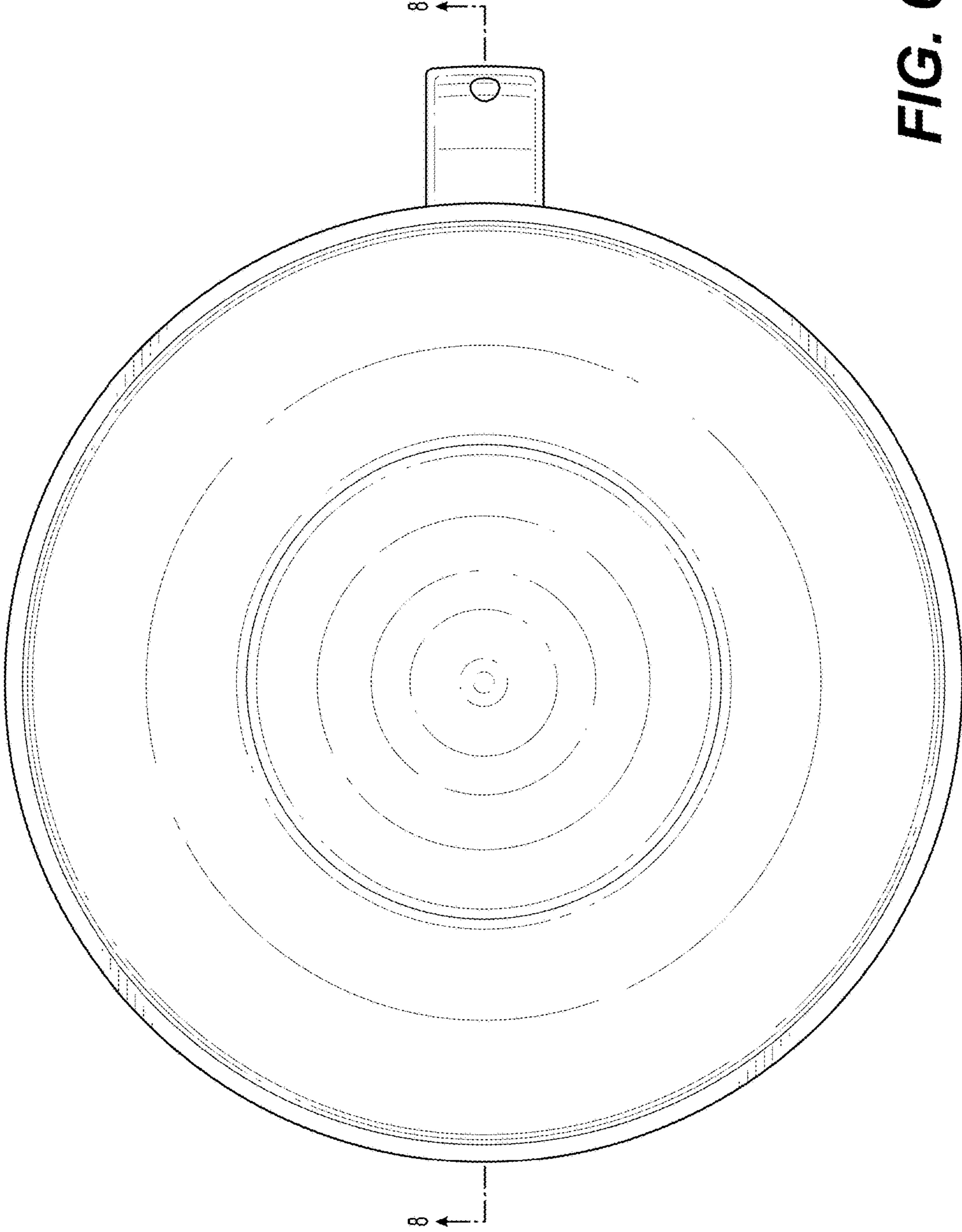


FIG. 6

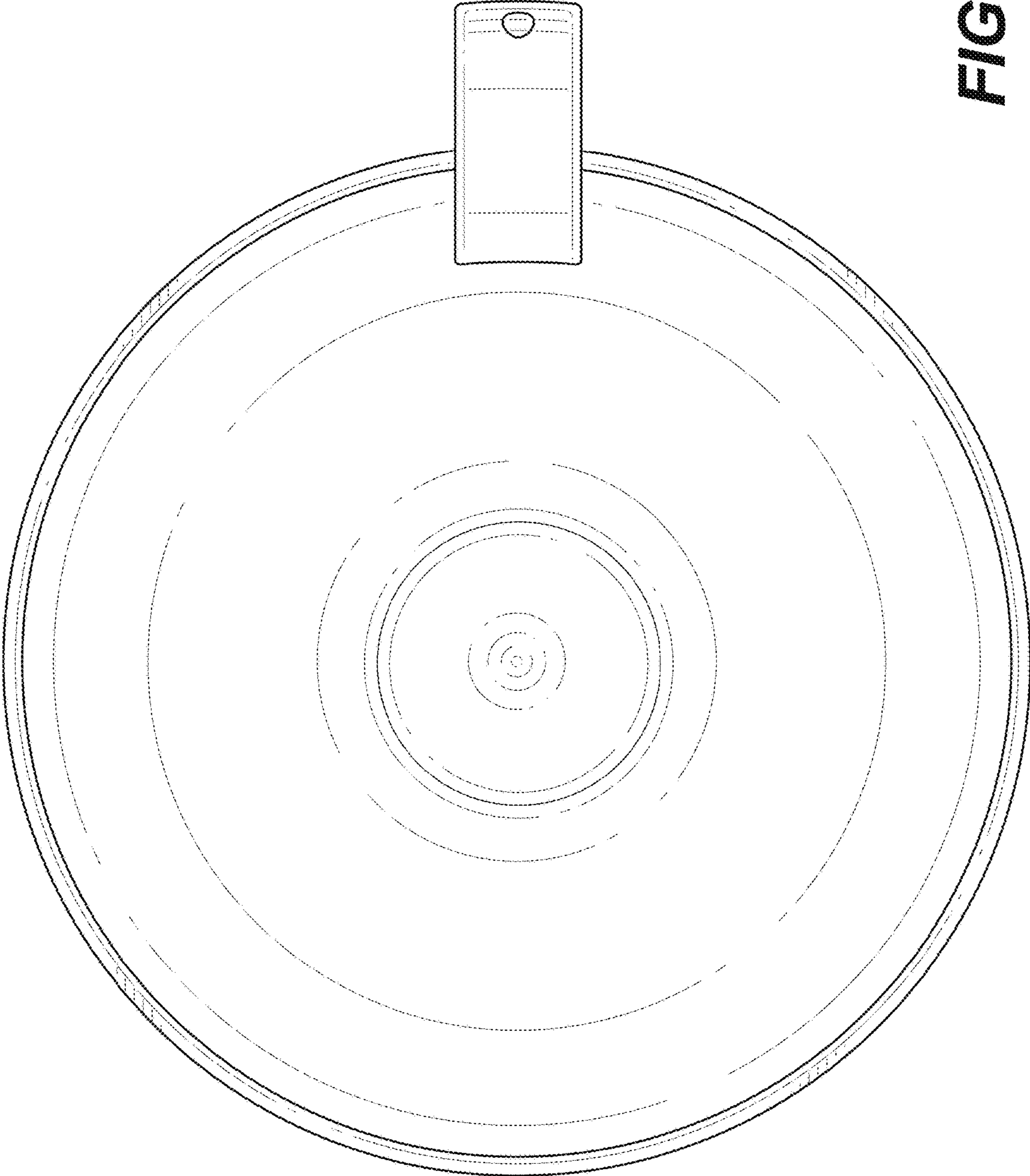


FIG. 7

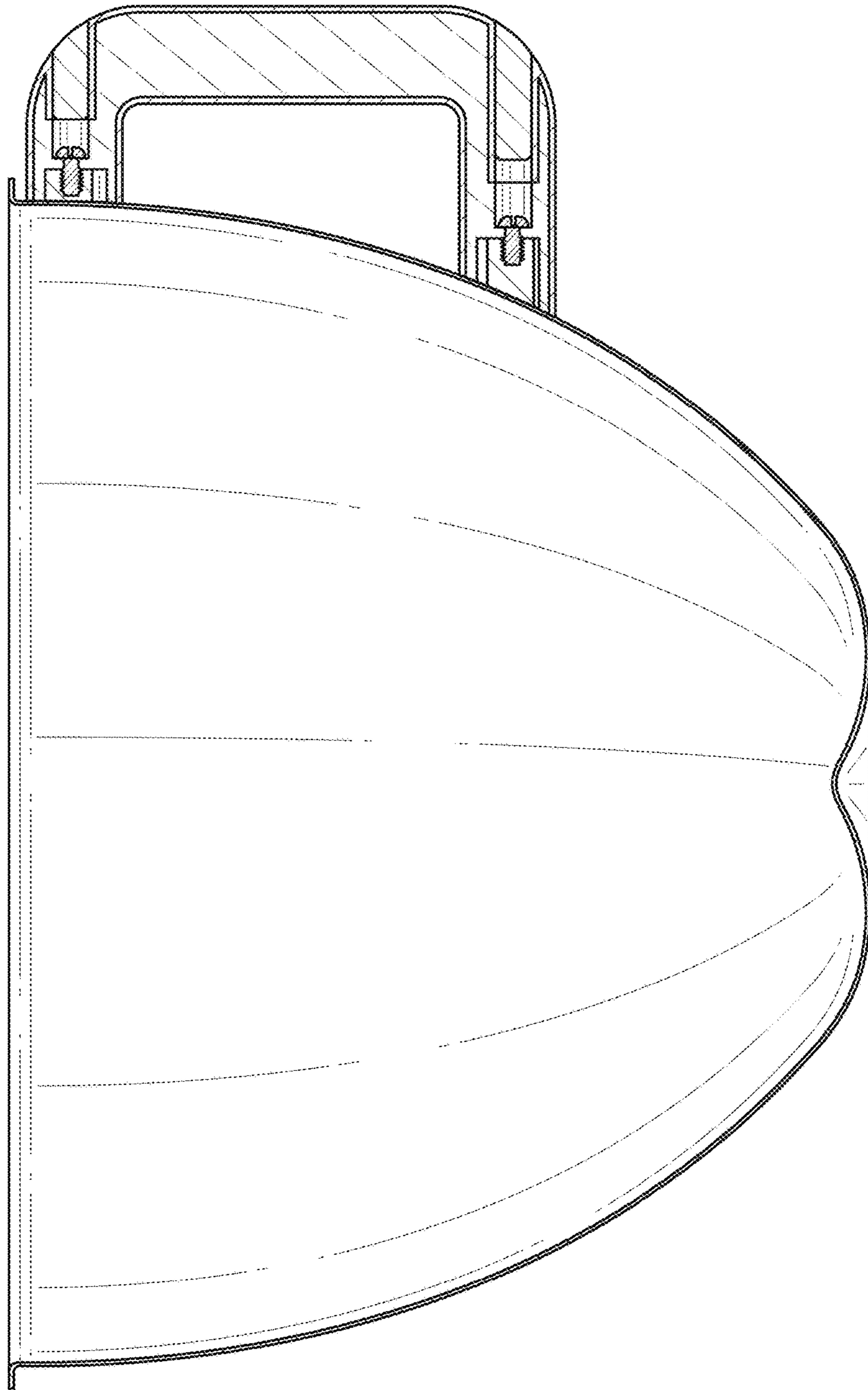


FIG. 8