



US00D865436S

(12) **United States Design Patent**
Xiong

(10) **Patent No.:** **US D865,436 S**

(45) **Date of Patent:** **** Nov. 5, 2019**

(54) **ELECTRIC BAKING PAN**

(71) Applicant: **NINGBO TIANXIANG ELECTRICAL APPLIANCES CO., LTD.**, Ningbo, Zhejiang Province (CN)

(72) Inventor: **Baikang Xiong**, Ningbo (CN)

(73) Assignee: **NINGBO TIANXIANG ELECTRICAL APPLIANCES CO., LTD.**, Ningbo (CN)

(**) Term: **15 Years**

(21) Appl. No.: **29/586,257**

(22) Filed: **Dec. 1, 2016**

(30) **Foreign Application Priority Data**

Oct. 20, 2016 (CN) 2016 3 0511607

(51) **LOC (12) Cl.** **07-02**

(52) **U.S. Cl.**
USPC **D7/367**

(58) **Field of Classification Search**
USPC D7/323, 332, 337, 352-367, 402, 409, D7/643, 644, 645, 538, 602
CPC A47G 19/12; A47G 19/127; A47G 2019/122; A47G 2019/125; A47J 27/00; A47J 27/002; A47J 27/004; A47J 27/006; A47J 27/02; A47J 27/022; A47J 27/04; A47J 27/024; A47J 27/043; A47J 27/05; A47J 27/14; A47J 27/21008; A47J 36/06; A47J 36/025; A47J 36/08; A47J 37/10
See application file for complete search history.

(56) **References Cited**

U.S. PATENT DOCUMENTS

2,744,995 A * 5/1956 Jepson A47J 37/105
126/275 E
D190,212 S * 4/1961 Ernest D7/363

3,089,943 A * 5/1963 Serio A47J 37/105
219/429
3,177,319 A * 4/1965 Tatsuro A47J 27/004
219/385
3,547,307 A * 12/1970 Radcliffe A47J 37/10
220/630
D230,461 S * 2/1974 Gulotta D7/360
3,831,002 A * 8/1974 Mysicka A47J 37/10
126/390.1
3,902,044 A * 8/1975 Doyle A47G 21/16
126/369
D250,448 S * 12/1978 Boldt D7/360
D321,625 S * 11/1991 Dobson D7/360

(Continued)

FOREIGN PATENT DOCUMENTS

JP 2001252196 A * 9/2001
JP 2001252197 A * 9/2001
JP 2006288904 A * 10/2006

Primary Examiner — Barbara Fox

Assistant Examiner — Messina L Smith

(74) *Attorney, Agent, or Firm* — Jiwen Chen

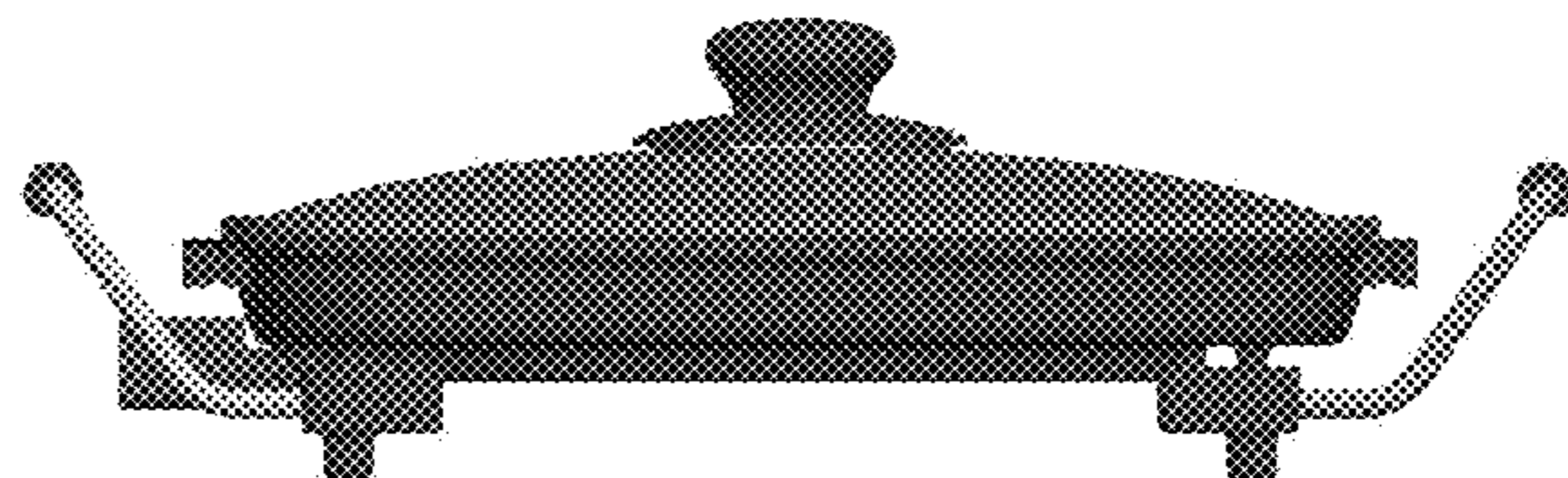
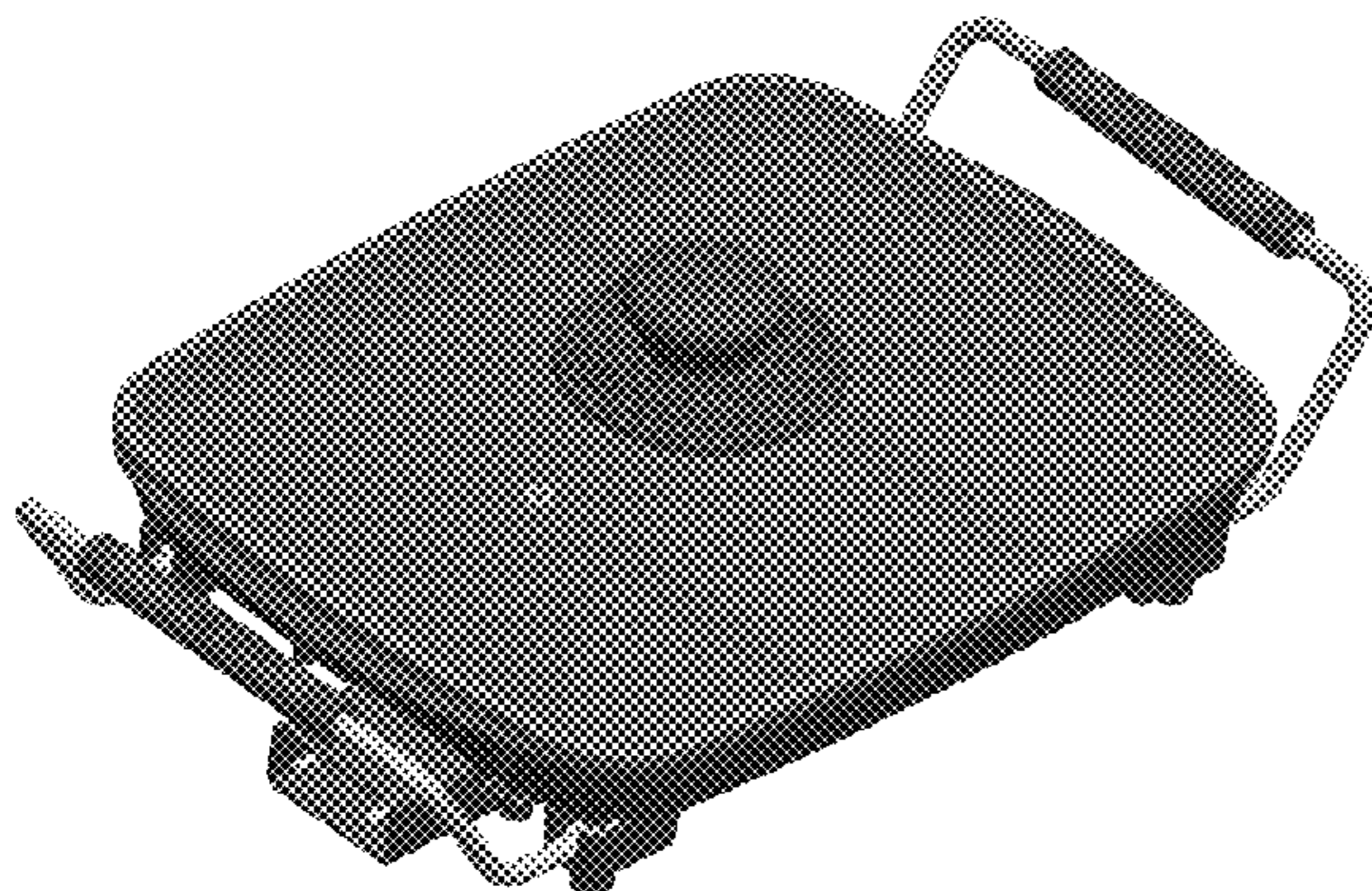
(57) **CLAIM**

The ornamental design for an electric baking pan, as shown and described.

DESCRIPTION

FIG. 1 is a perspective view an electric baking pan showing the design;
FIG. 2 is a top plan view thereof;
FIG. 3 is a bottom plan view thereof;
FIG. 4 is a front elevational view thereof
FIG. 5 is a rear elevational view thereof;
FIG. 6 is a left side view thereof; and,
FIG. 7 is a right side view thereof.
The broken lines in FIG. 3 and FIG. 6 and lower opacity area within the broken lines show portions of the electric baking pan that form no part of the claimed design.

1 Claim, 7 Drawing Sheets



(56)

References Cited

U.S. PATENT DOCUMENTS

5,467,696	A	*	11/1995	Everhart	A47J 37/10
						99/375
D437,182	S	*	2/2001	Choi	D7/360
D515,350	S	*	2/2006	Anderson	D7/363
D591,553	S	*	5/2009	Garman	D7/363
D642,423	S	*	8/2011	Seymour	D7/354
D643,675	S	*	8/2011	Seymour	D7/354
D664,802	S	*	8/2012	Upston	D7/354
D672,190	S	*	12/2012	Upston	D7/354
D746,628	S	*	1/2016	Nagrani	D7/354
D763,034	S	*	8/2016	Berge	D7/354
D796,895	S	*	9/2017	Blaise	D7/354
D804,238	S	*	12/2017	Xiong	D7/359

* cited by examiner



Fig. 1



Fig. 2



Fig. 3

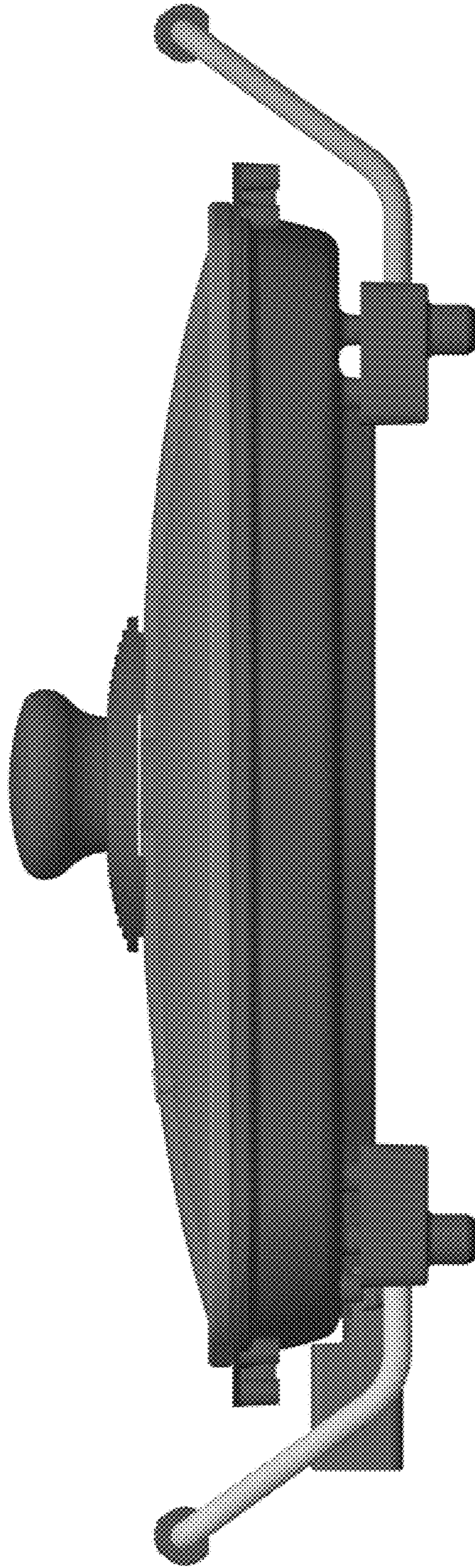


Fig. 4

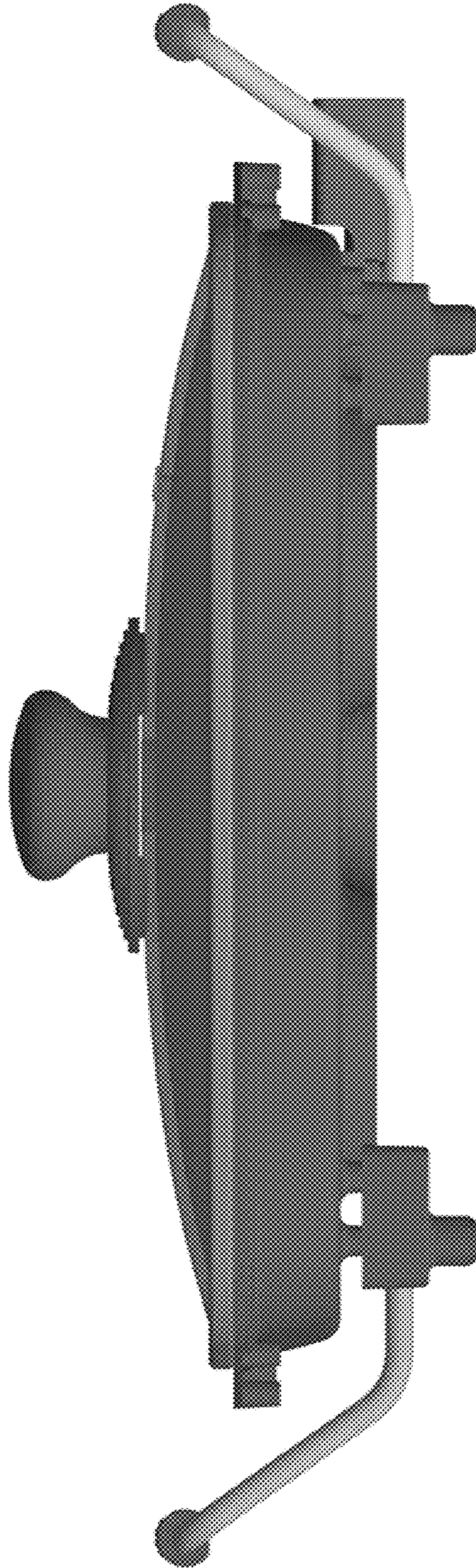


Fig. 5

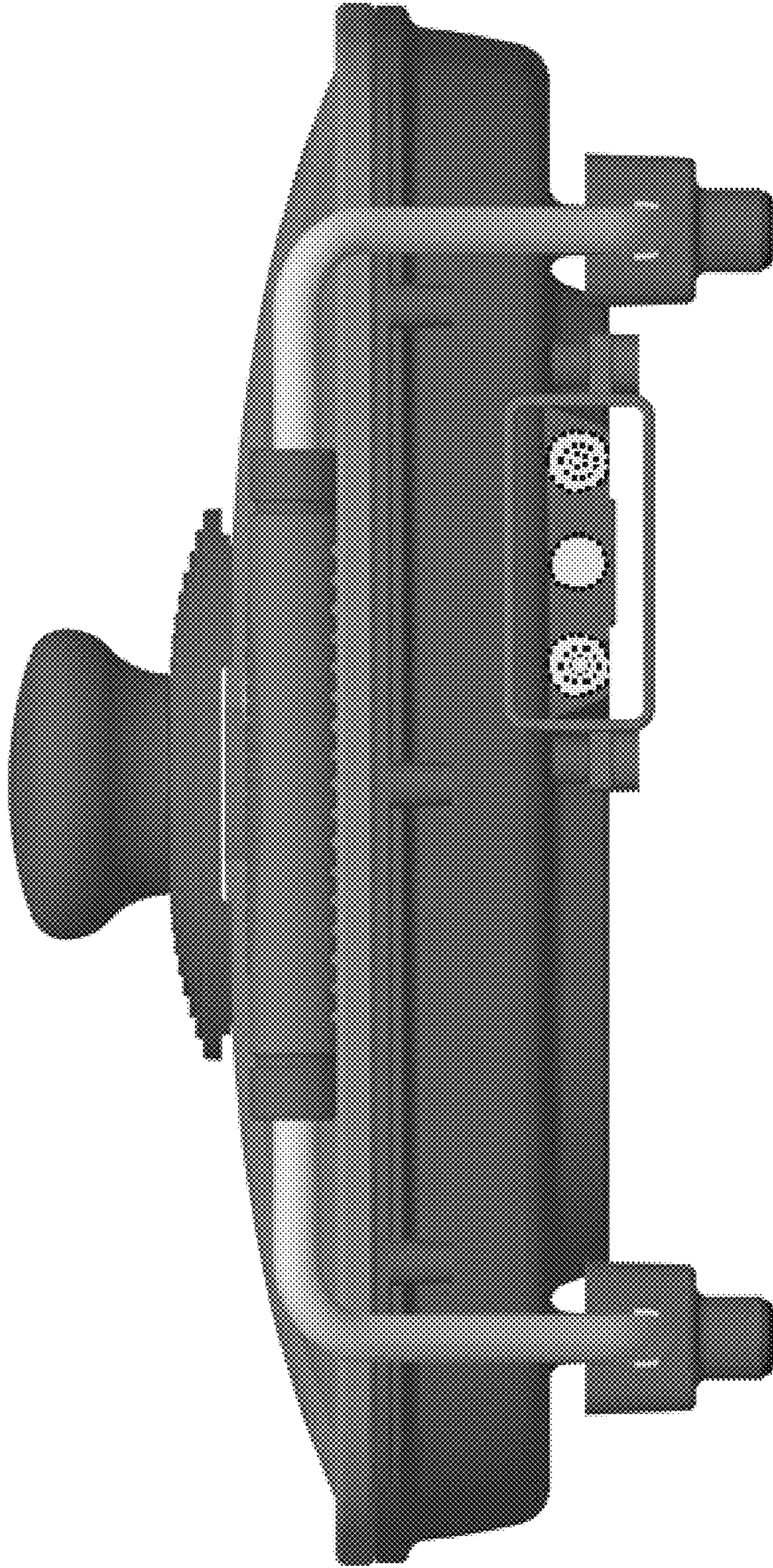


Fig. 6

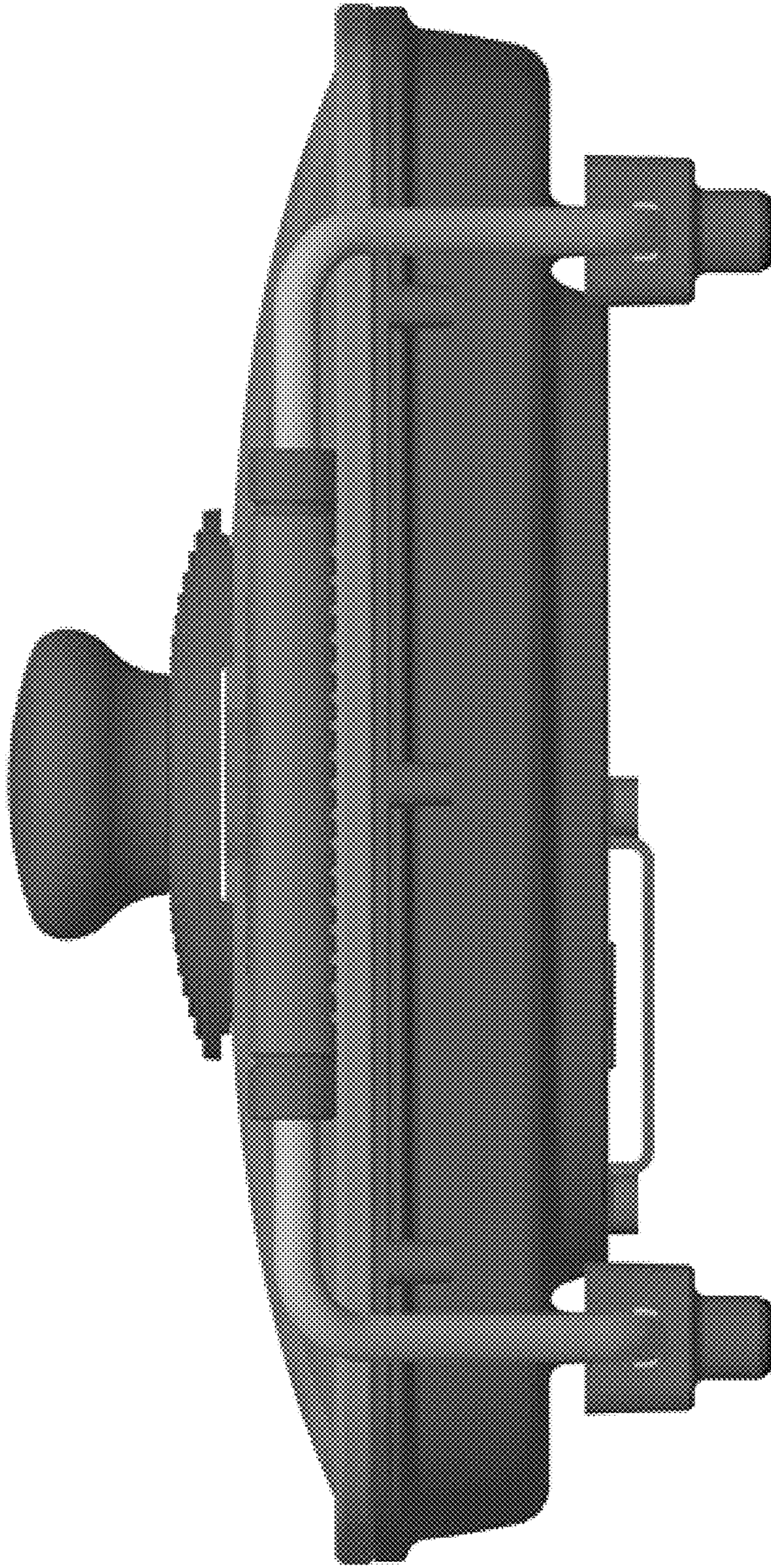


Fig. 7