



US00D865434S

(12) **United States Design Patent**
Li et al.

(10) **Patent No.:** **US D865,434 S**

(45) **Date of Patent:** **** Nov. 5, 2019**

- (54) **DOMED ROASTING OVEN**
- (71) Applicant: **LAM & SONS LLC**, Cheyenne, WY (US)
- (72) Inventors: **George T. C. Li**, Reno, NV (US); **Eric Li**, Martinsville, CA (US)
- (73) Assignee: **LAM & SONS, LLC**, Cheyenne, WY (US)
- (**) Term: **15 Years**
- (21) Appl. No.: **29/587,488**
- (22) Filed: **Dec. 13, 2016**
- (51) **LOC (12) Cl.** **07-02**
- (52) **U.S. Cl.**
USPC **D7/362**
- (58) **Field of Classification Search**
USPC D7/323, 337, 339-341, 352, 354-358, D7/360-367, 393, 402-403, 407-411, D7/601, 605, 629, 701, 703; D9/761
CPC A21B 1/06; A21B 1/50; A21B 1/52; A47J 37/04; A47J 37/06; A47J 37/015; A47J 37/067; A47J 37/0611; A47J 37/0629; A47J 37/0676; A47J 37/108; F24C 7/06; F24C 7/083; F24C 15/02; F24C 15/66; H05B 3/20; H05B 3/40
See application file for complete search history.

- 3,088,393 A * 5/1963 Huckabee A47J 37/06
126/25 A
- D288,767 S * 3/1987 Minuti D7/542
- 5,189,947 A * 3/1993 Yim A47J 27/04
126/369

(Continued)

OTHER PUBLICATIONS

Karsen Dome Oven, Reviewd Nov. 16, 2016 [Online], Retrieved Feb. 14, 2018, Retrieved From Internet, <<https://www.amazon.com/Karsen-KBR-016R-featuring-Captive-Technology/dp/B01LXAHHUY>>.*

(Continued)

Primary Examiner — Barbara Fox
Assistant Examiner — Messina L Smith
(74) *Attorney, Agent, or Firm* — Donn K. Harms

(57) **CLAIM**

We claim the ornamental design for a domed roasting oven, as shown and described.

DESCRIPTION

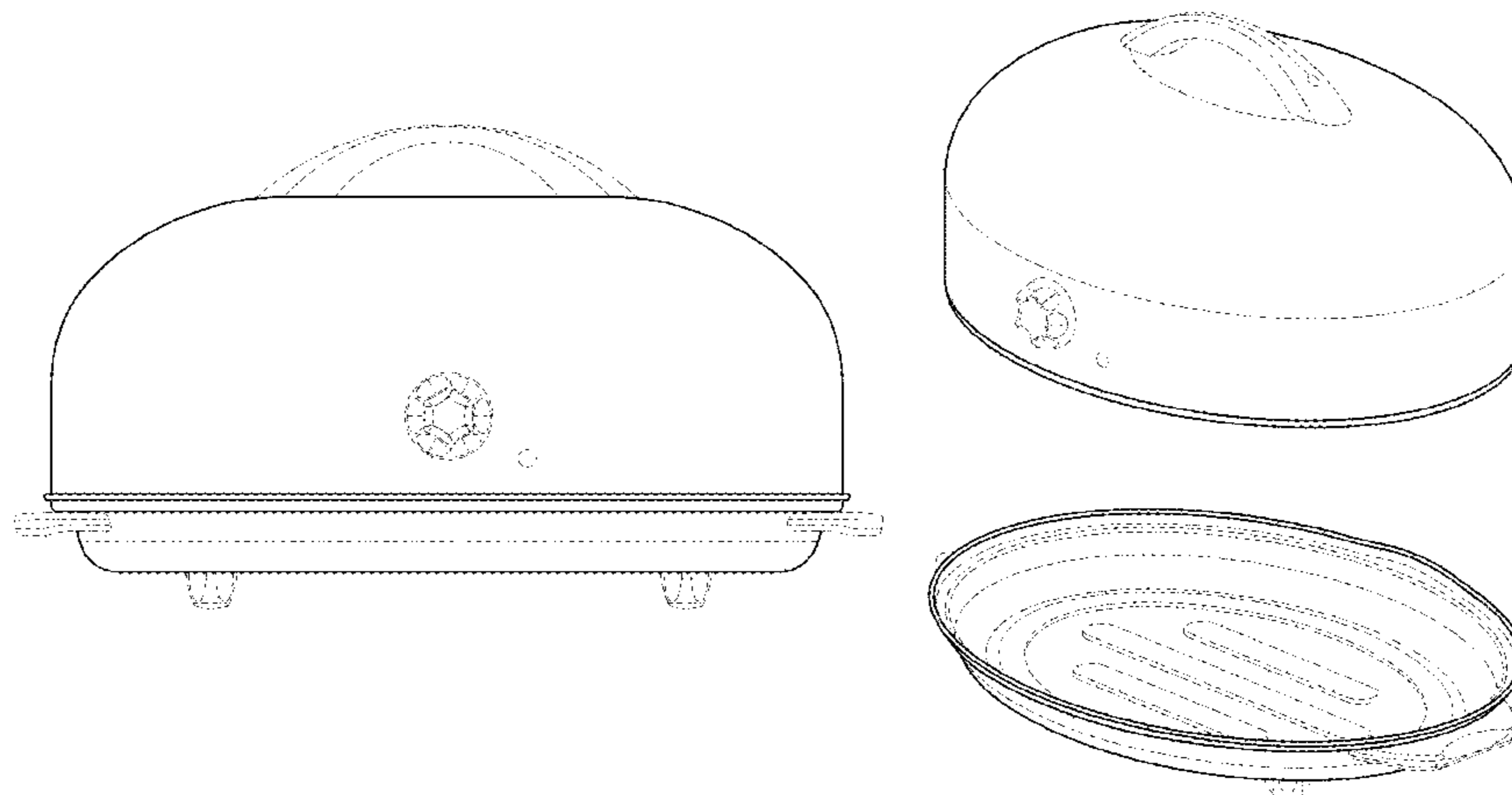
FIG. 1 is an isometric view of a domed roasting oven, showing my new design
FIG. 2 is a front elevation view thereof;
FIG. 3 is a top view thereof;
FIG. 4 is a left elevation view thereof
FIG. 5 is a back view thereof;
FIG. 6 is a bottom view thereof;
FIG. 7 is an isometric view of the domed roasting oven, in which the domed lid is separated from the pan;
FIG. 8 is an isometric view of an interior of the domed lid and the pan, which form the domed roasting oven; and,
FIG. 9 is a cross-sectional side elevation view taken in the direction of the line 9-9 in FIG. 3.
The broken lines in the drawings depict portions of the domed roasting oven that form no part of the claimed design.

1 Claim, 9 Drawing Sheets

(56) **References Cited**

U.S. PATENT DOCUMENTS

- 1,415,784 A * 5/1922 Brock A61F 7/007
392/395
- 1,614,661 A * 1/1927 Detwiler A47J 37/0676
99/446
- 1,685,829 A * 10/1928 Sauvage A47J 37/067
126/275 R
- 2,188,757 A * 1/1940 Moon A47J 37/0623
219/450.1
- 2,328,833 A * 9/1943 Moon A47J 37/015
220/264



(56)

References Cited

U.S. PATENT DOCUMENTS

D469,651	S *	2/2003	Samaras	D7/337
D484,007	S *	12/2003	Levien	D7/629
D510,836	S *	10/2005	Pai	D7/337
D577,261	S *	9/2008	Wang	D7/629
D658,948	S *	5/2012	Zorovich	D7/629
D683,596	S *	6/2013	Ellerstorfer	D7/629
9,655,378	B2 *	5/2017	Rooney	A23L 7/187
D807,709	S *	1/2018	Radhakrishnan	D7/605
2001/0025843	A1 *	10/2001	McClellan	A47J 37/0676
					219/432
2010/0288749	A1 *	11/2010	Wu	A47J 27/04
					219/450.1
2013/0247779	A1 *	9/2013	Hong	A47J 37/0629
					99/343
2017/0251872	A1 *	9/2017	Li	A47J 37/0629
2017/0251873	A1 *	9/2017	Li	A47J 37/0629
2017/0295993	A1 *	10/2017	Li	A47J 37/0664

OTHER PUBLICATIONS

Original Dome Oven & Roaster, Reviewed Nov. 20, 2016 [Online], Retrieved Feb. 14, 2018, Retrieved From Internet, <<https://www.karsenproducts.com/products/black-br-2>>.*
 Karsen Dome Oven with Captive Heat Technology, posted Dec. 2, 2016 [online], retrieved Feb. 20, 2018, retrieved from internet, <<https://www.amazon.com/Karsen-KBR-016R-featuring-Captive-Technology/dp/B01LXAHHUY>>.*

* cited by examiner

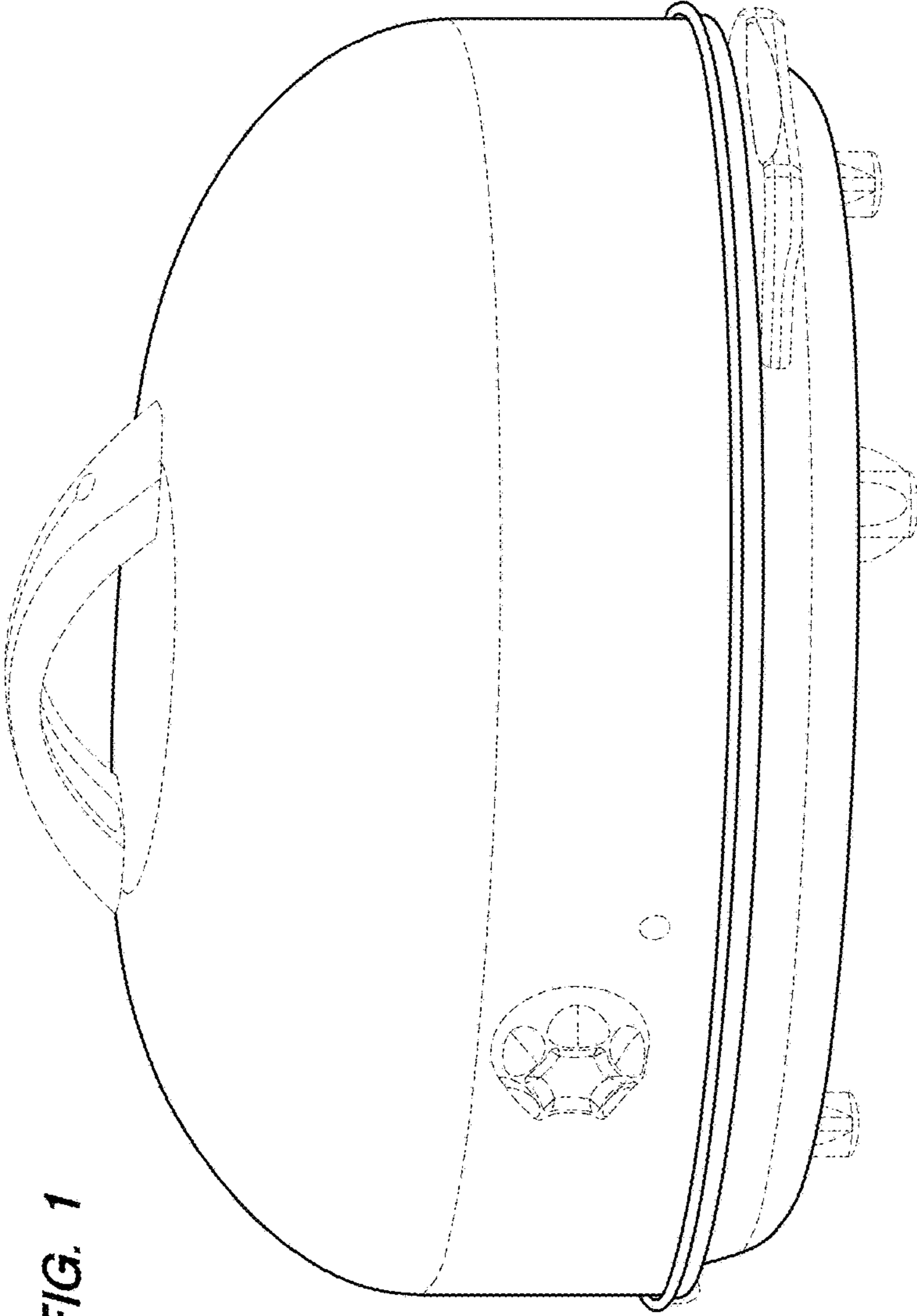
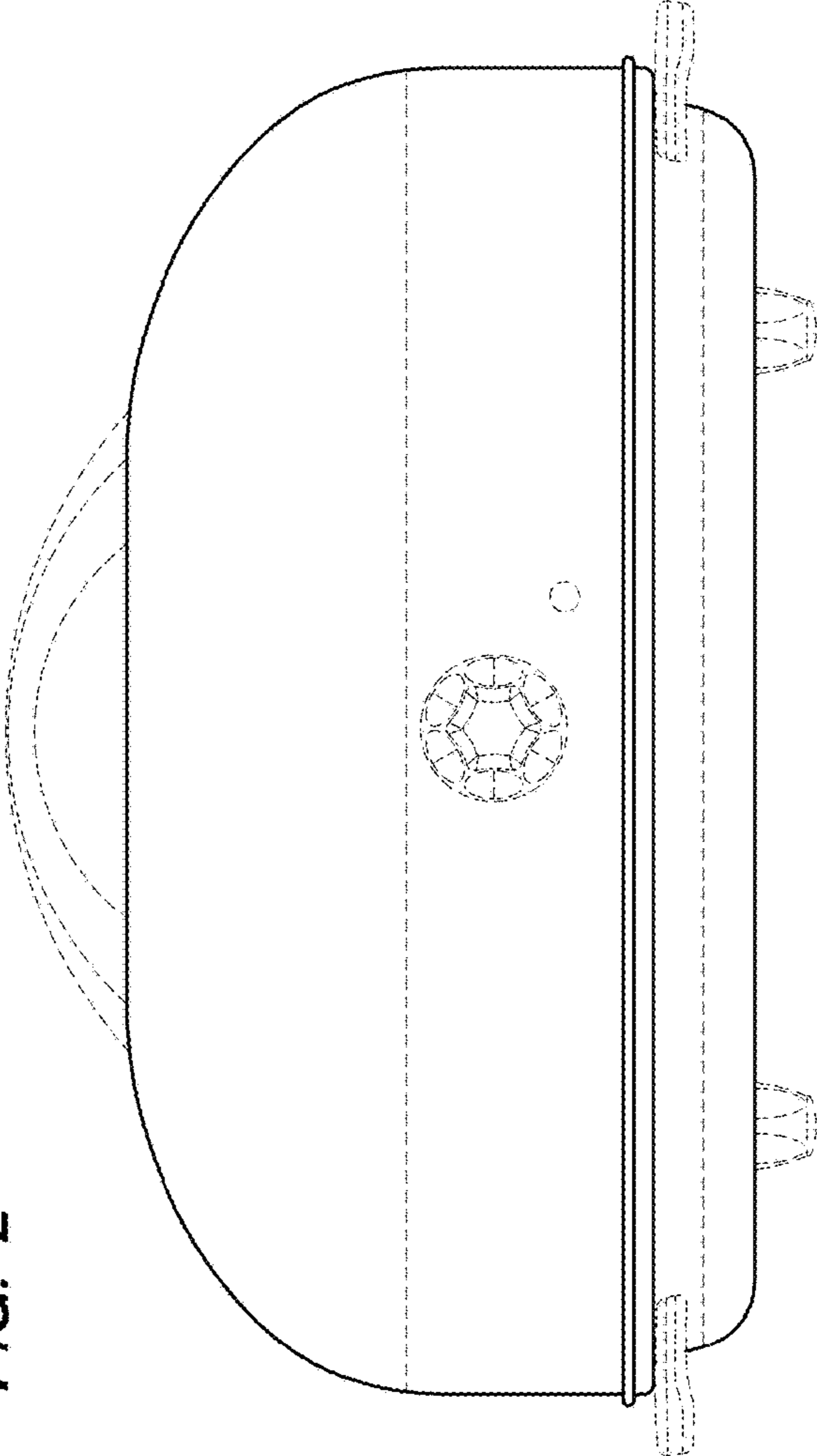
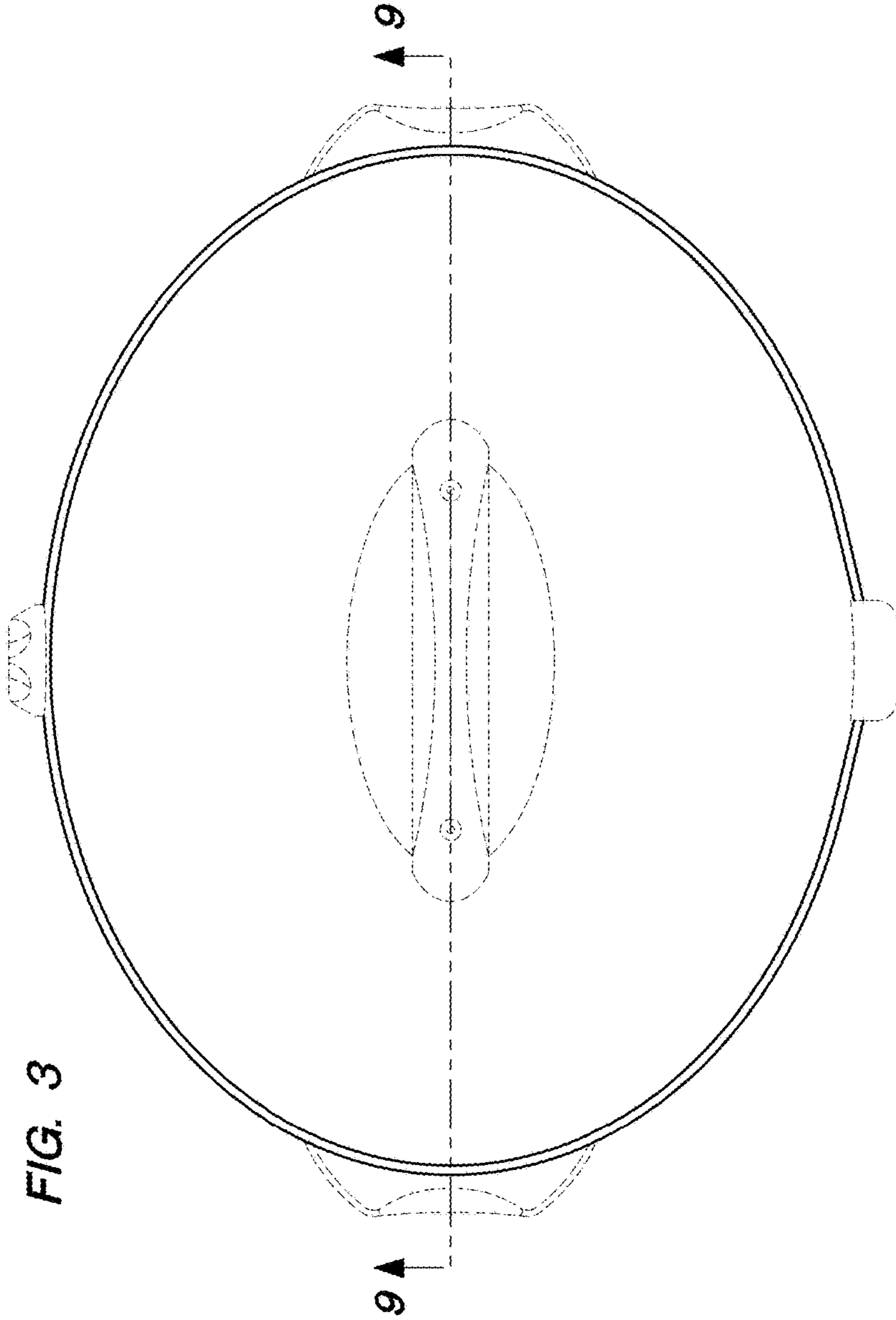


FIG. 1

FIG. 2





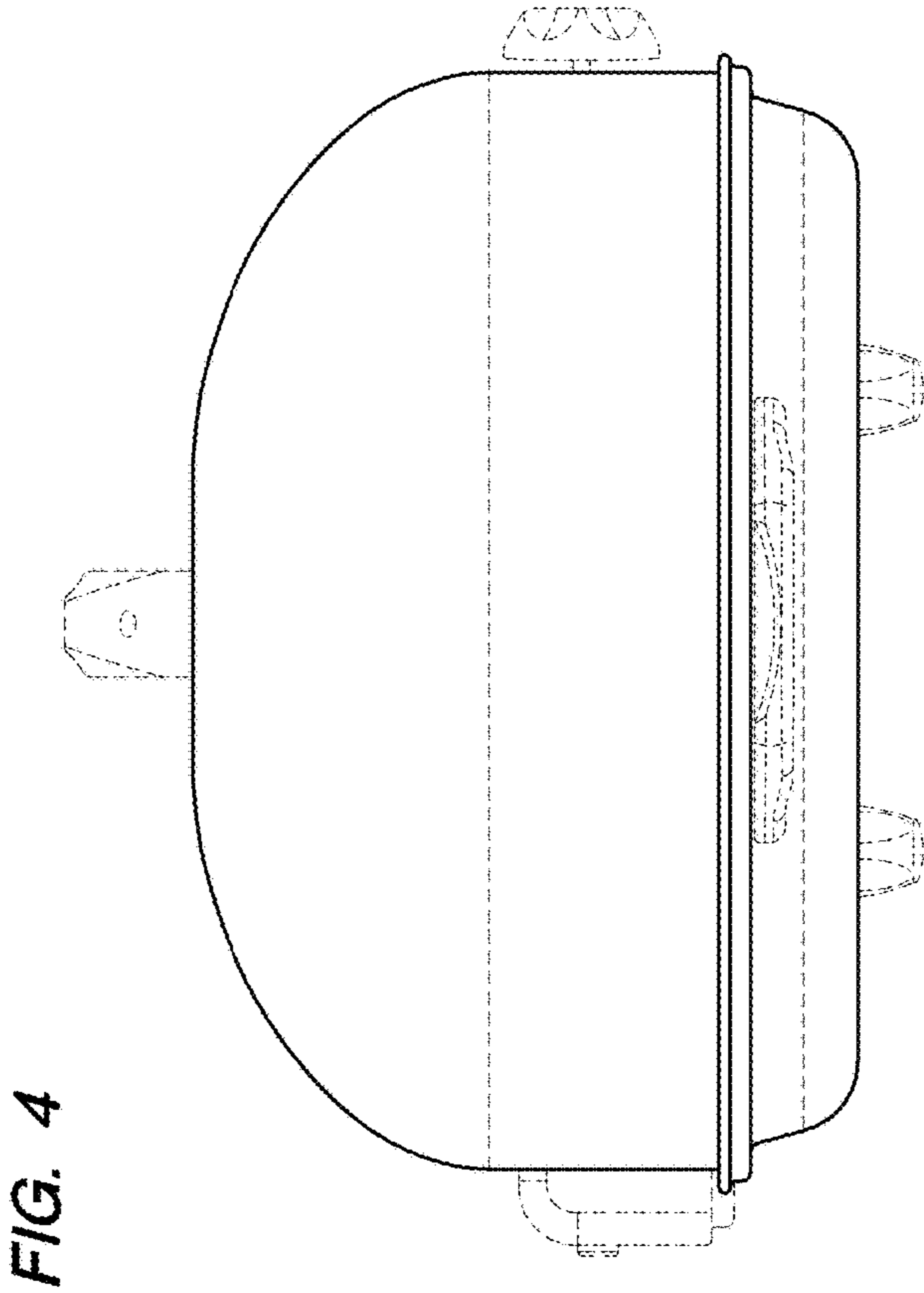
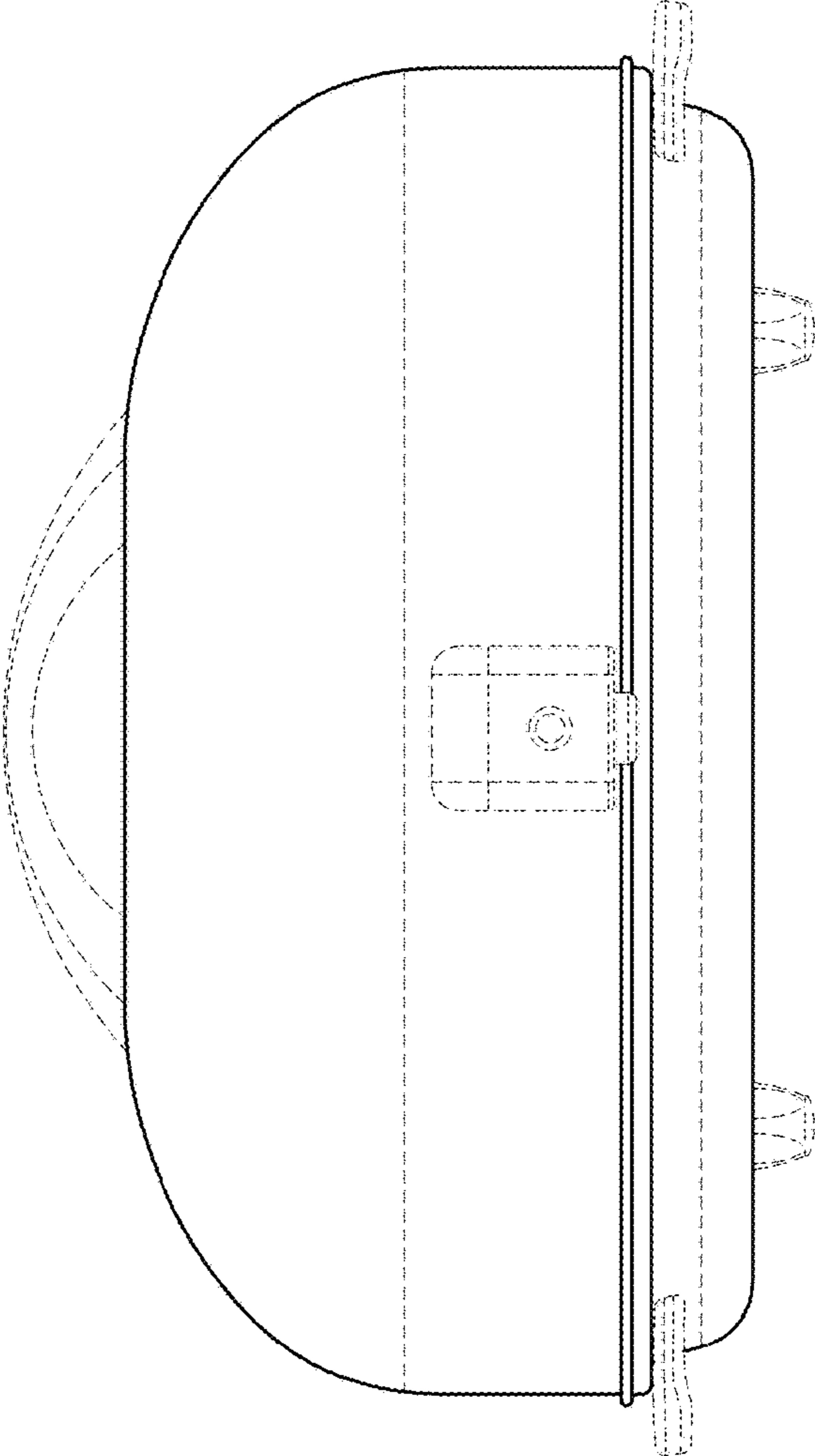


FIG. 5



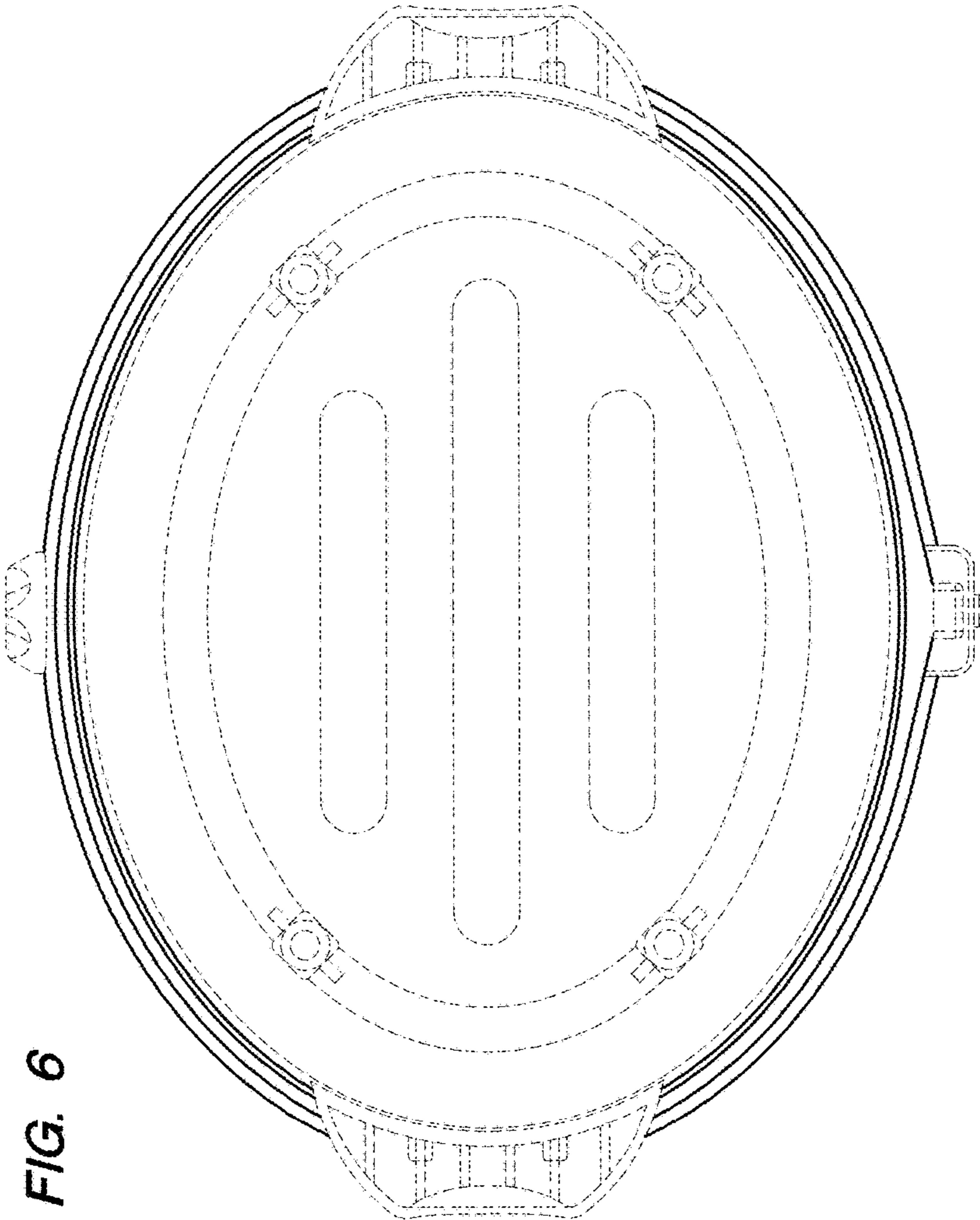


FIG. 6

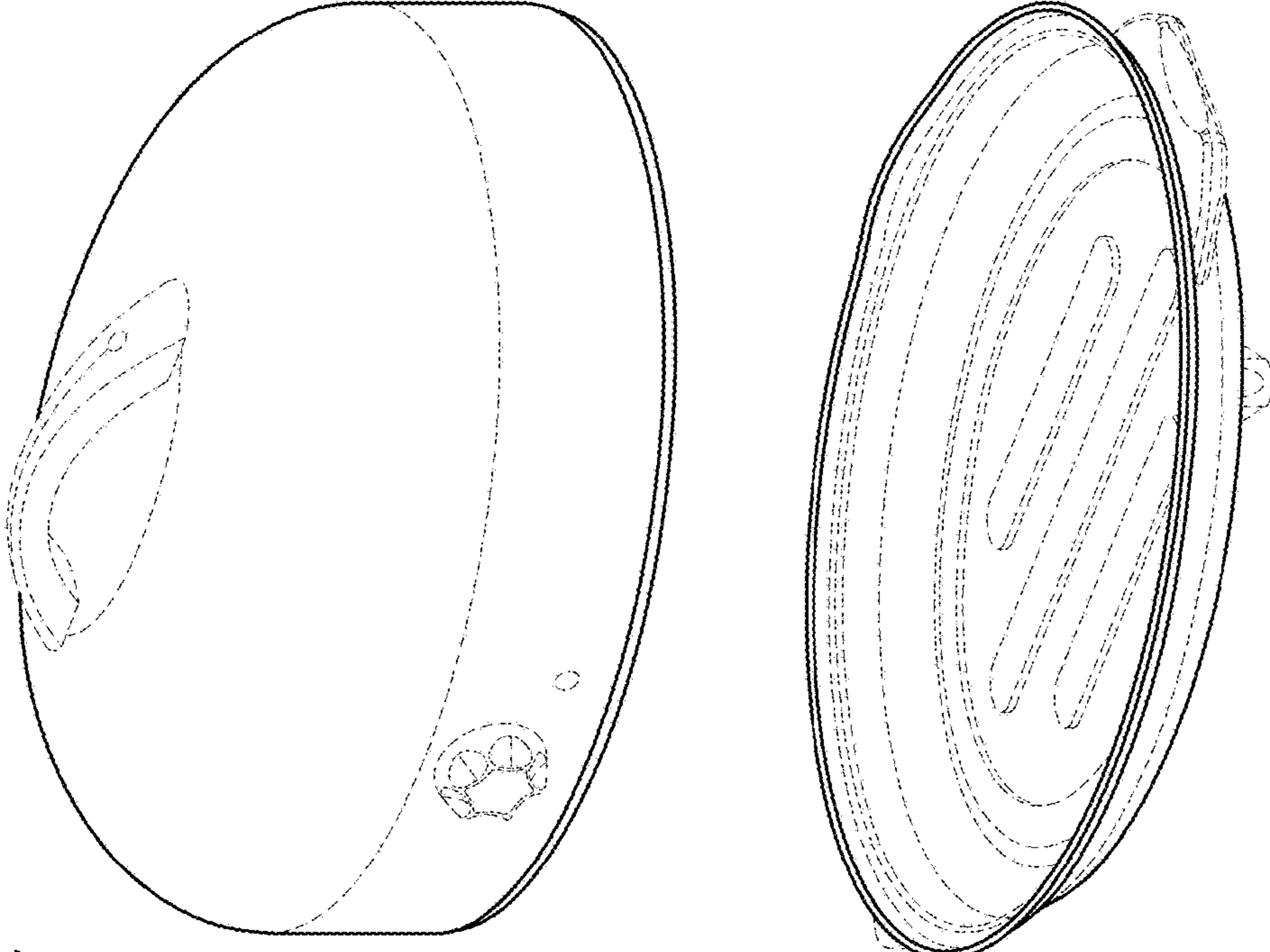


FIG. 7

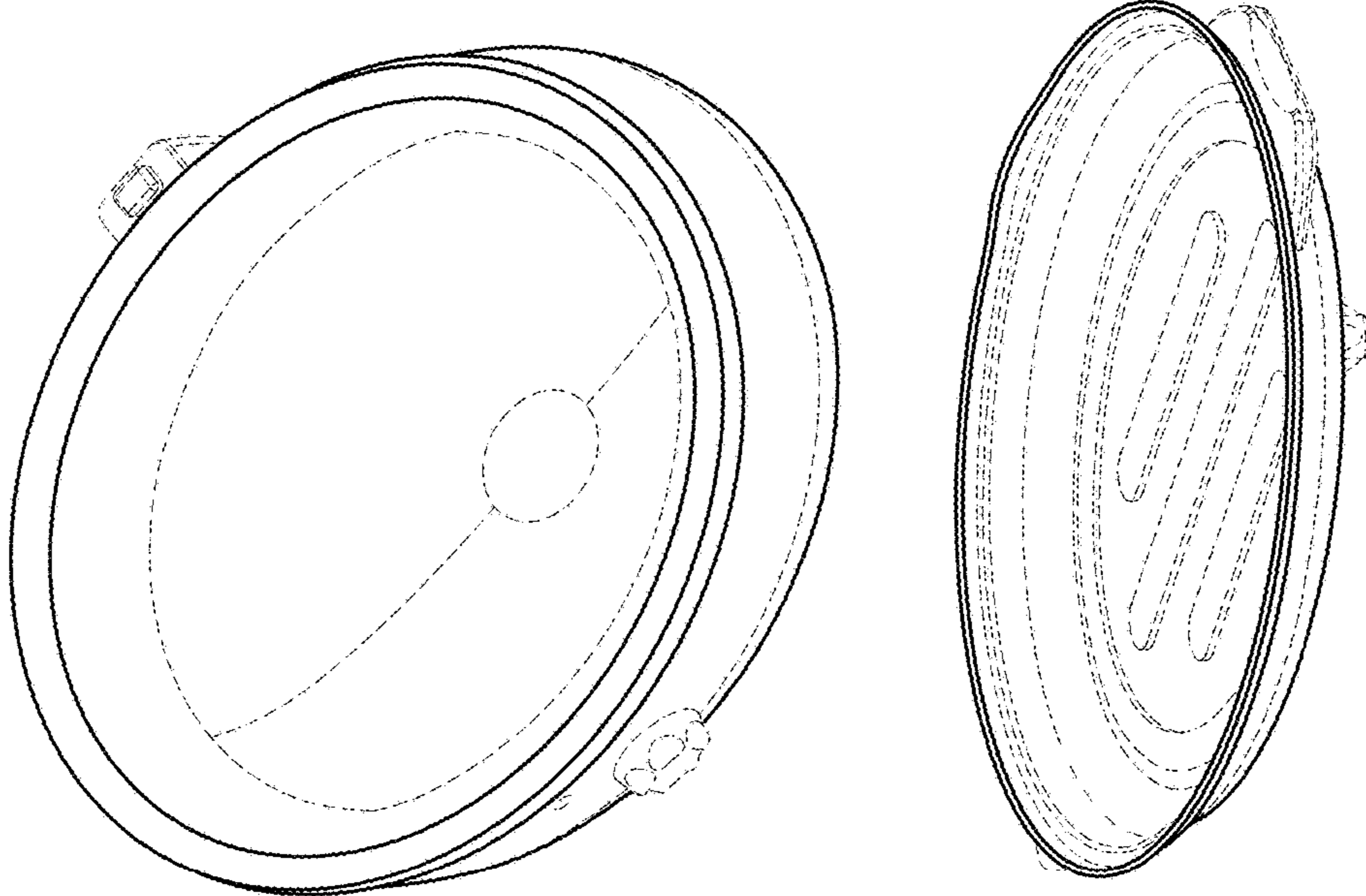


FIG. 8

FIG. 9

