



US00D865432S

(12) **United States Design Patent**
Tammera

(10) **Patent No.:** **US D865,432 S**

(45) **Date of Patent:** **** Nov. 5, 2019**

(54) **COOKING VESSEL WITH RETAINABLE COVER**

(71) Applicant: **Robert F. Tammera**, Warrenton, VA (US)

(72) Inventor: **Robert F. Tammera**, Warrenton, VA (US)

(**) Term: **15 Years**

(21) Appl. No.: **29/580,734**

(22) Filed: **Oct. 12, 2016**

(51) **LOC (12) Cl.** **07-02**

(52) **U.S. Cl.**
USPC **D7/361**

(58) **Field of Classification Search**

USPC D7/323, 332, 337, 352-367, 402, 409, D7/643, 644, 645, 538, 602
CPC A47G 19/12; A47G 19/127; A47G 2019/122; A47G 2019/125; A47J 27/00; A47J 27/002; A47J 27/004; A47J 27/006; A47J 27/02; A47J 27/022; A47J 27/04; A47J 27/024; A47J 27/043; A47J 27/05; A47J 27/14; A47J 27/21008; A47J 36/06; A47J 36/025; A47J 36/08; A47J 37/10

See application file for complete search history.

(56) **References Cited**

U.S. PATENT DOCUMENTS

656,855 A 8/1900 Pinlott
890,203 A 6/1908 Vaughan
1,885,325 A * 11/1932 Bogley A47J 37/108
99/446
2,348,452 A 5/1944 Christopher
2,428,839 A 10/1947 Salino
4,000,830 A 1/1977 French
4,590,919 A 5/1986 Spani
D318,235 S * 7/1991 Weed D7/359

D328,996 S * 9/1992 Gerlach D7/354
D328,997 S * 9/1992 Gerlach D7/354
D565,951 S * 4/2008 Sandford D9/456
D684,420 S * 6/2013 Montgomery D7/361
D690,984 S * 10/2013 Hauser D7/354
D696,899 S * 1/2014 Rae D7/354
D765,342 S * 9/2016 Bucks D1/125

(Continued)

Primary Examiner — Barbara Fox

Assistant Examiner — Messina L Smith

(74) *Attorney, Agent, or Firm* — Greenblum & Bernstein, P.L.C.

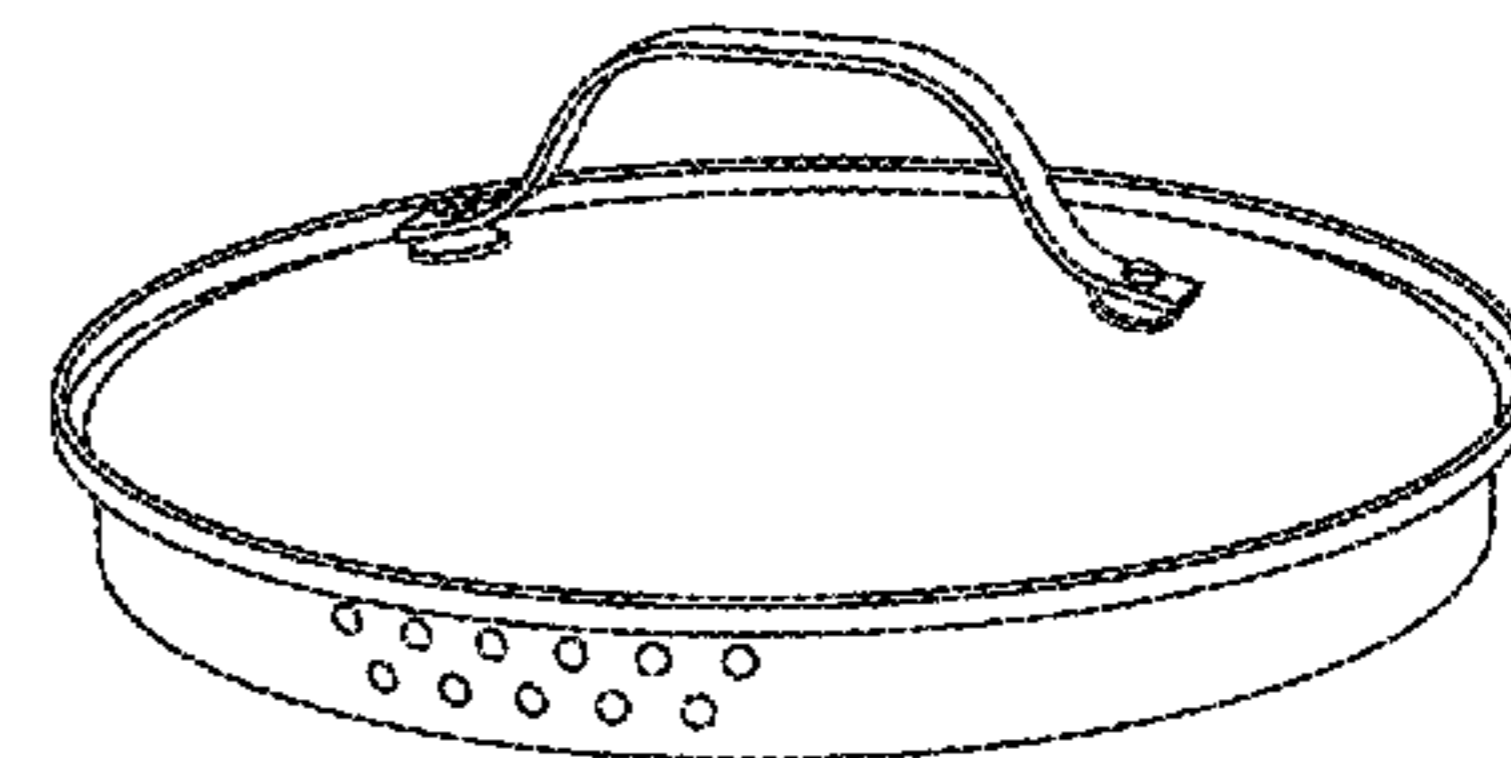
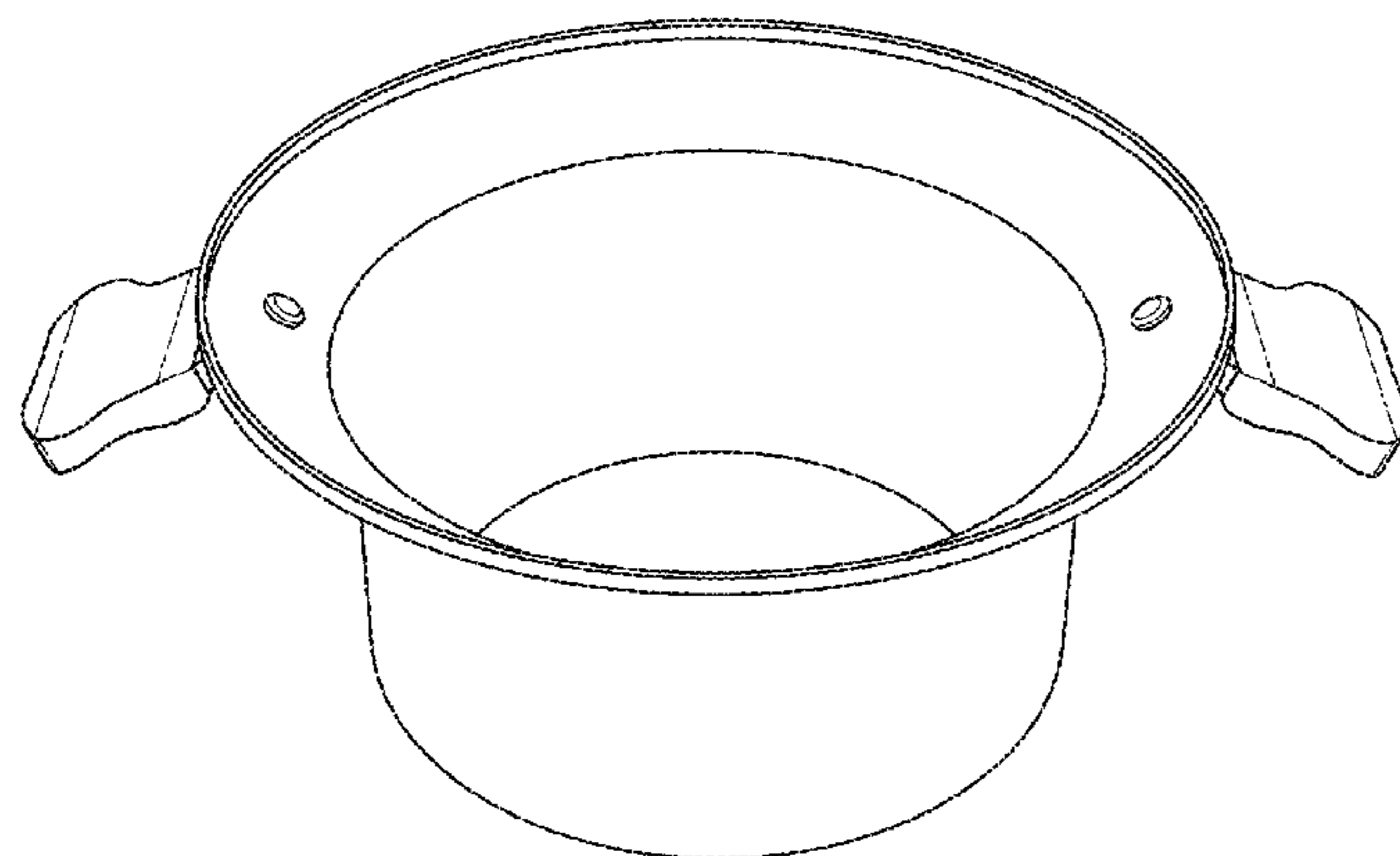
(57) **CLAIM**

I claim the ornamental design for a cooking vessel with retainable cover, as shown and described.

DESCRIPTION

FIG. 1 is a front top perspective view a cooking vessel with retainable cover showing the new design, showing the cooking vessel separately from the retainable cover to show aspects of the design that are not visible when combined; FIG. 2 is a front side view thereof; FIG. 3 is a back side view thereof; FIG. 4 is a right side view thereof; FIG. 5 is a left side view thereof; FIG. 6 is a top view thereof; FIG. 7 is a bottom view thereof; FIG. 8 is a front top perspective view of the cooking vessel combined with the retainable cover; FIG. 9 is a front top perspective view of the retainable cover shown separately from the cooking vessel; FIG. 10 is a right side view thereof; FIG. 11 is a right side view thereof; FIG. 12 is a front view thereof; FIG. 13 is a back view thereof; FIG. 14 is a top view thereof; and, FIG. 15 shows a bottom view thereof.

1 Claim, 7 Drawing Sheets



(56)

References Cited

U.S. PATENT DOCUMENTS

2009/0173239 A1* 7/2009 Lee A47J 37/10
99/425
2014/0305949 A1* 10/2014 Groll A47J 37/10
220/573.2
2018/0098657 A1* 4/2018 Tammera A47J 37/101

* cited by examiner

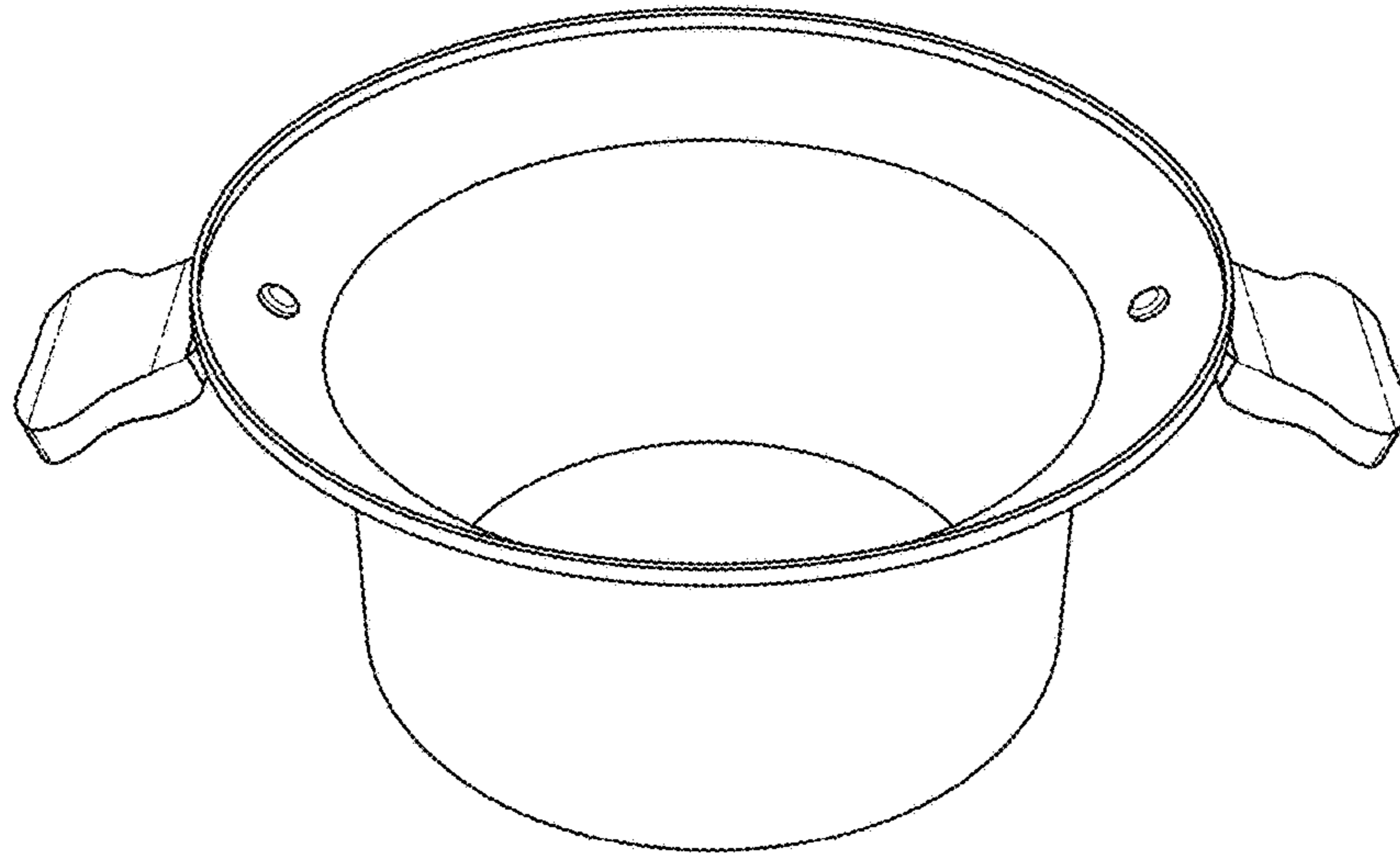


FIG. 1

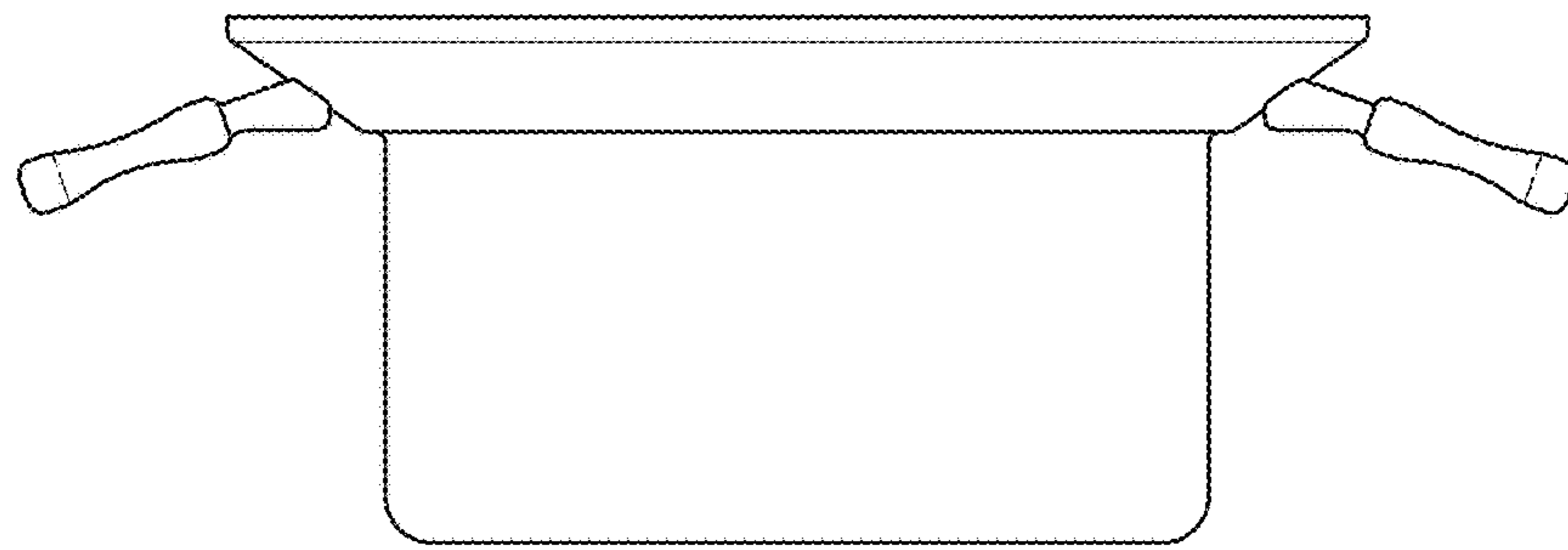


FIG. 2

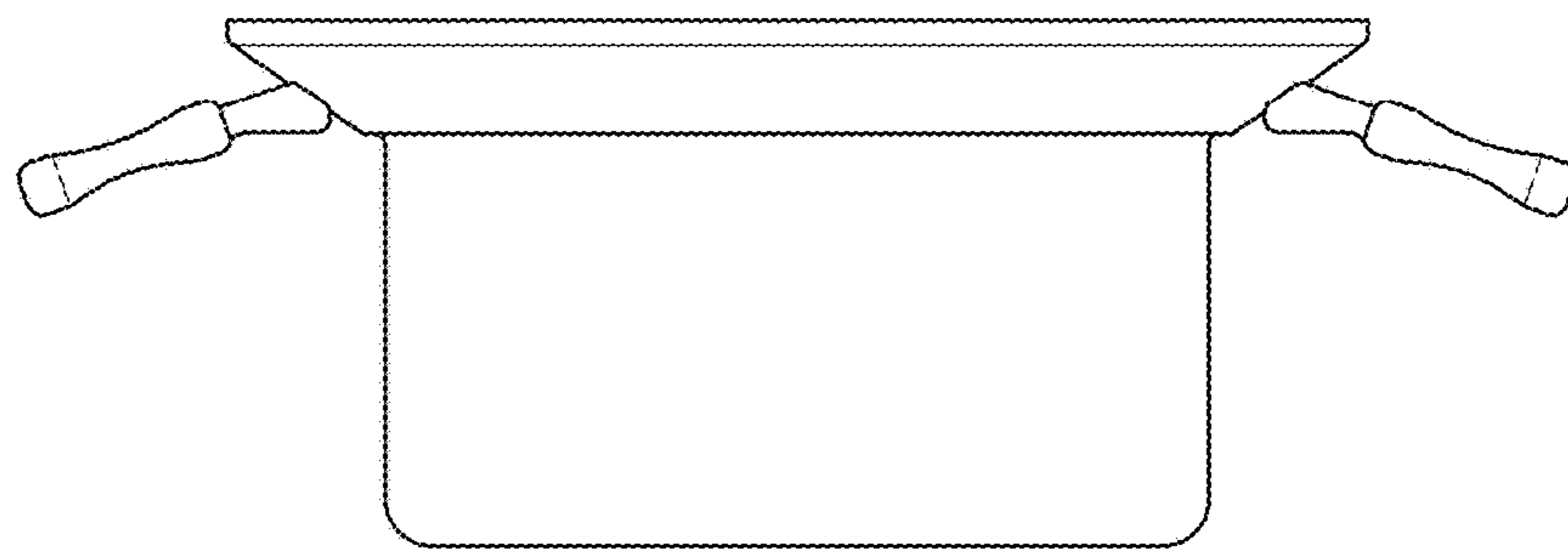


FIG. 3

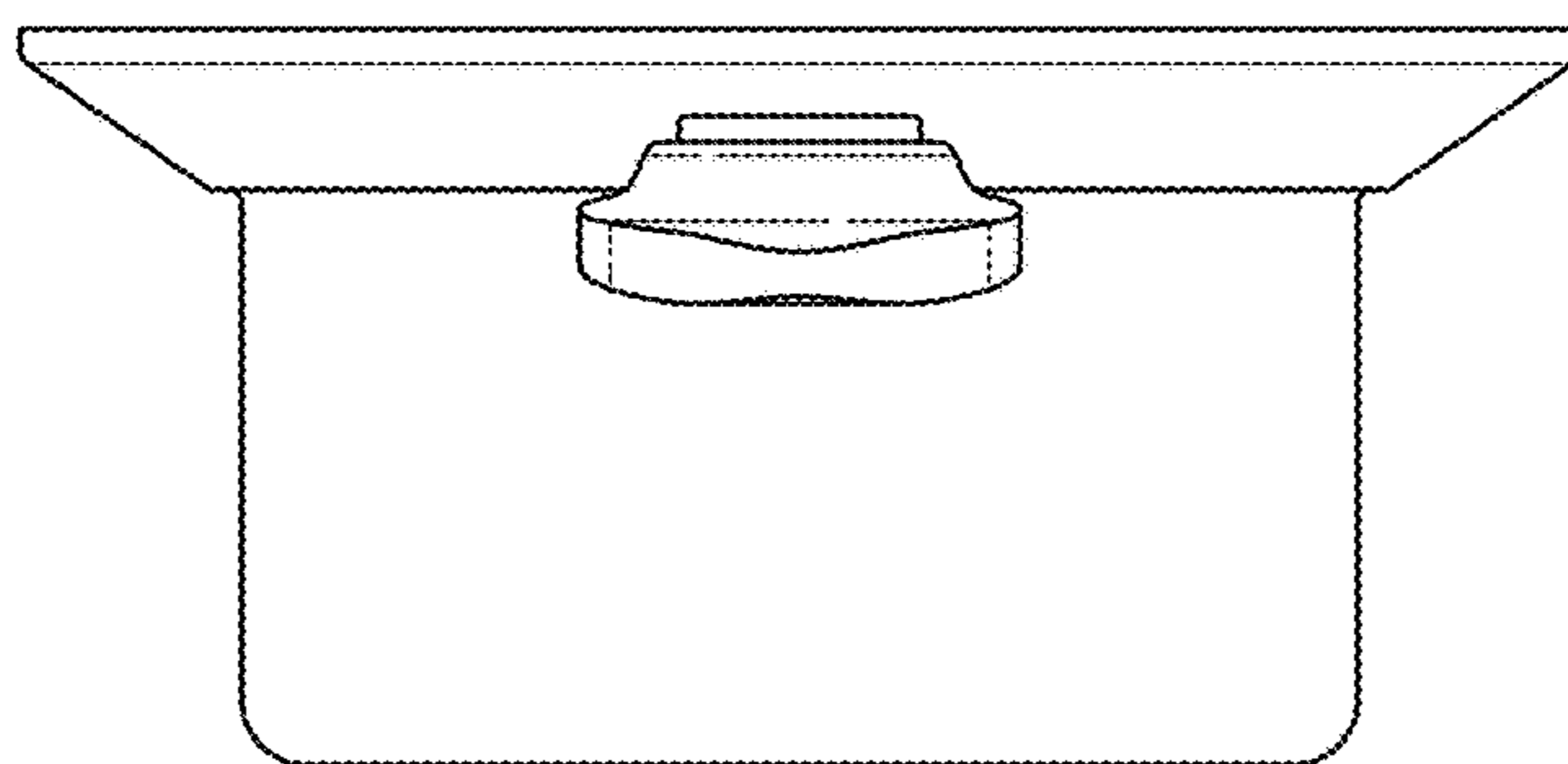


FIG. 4

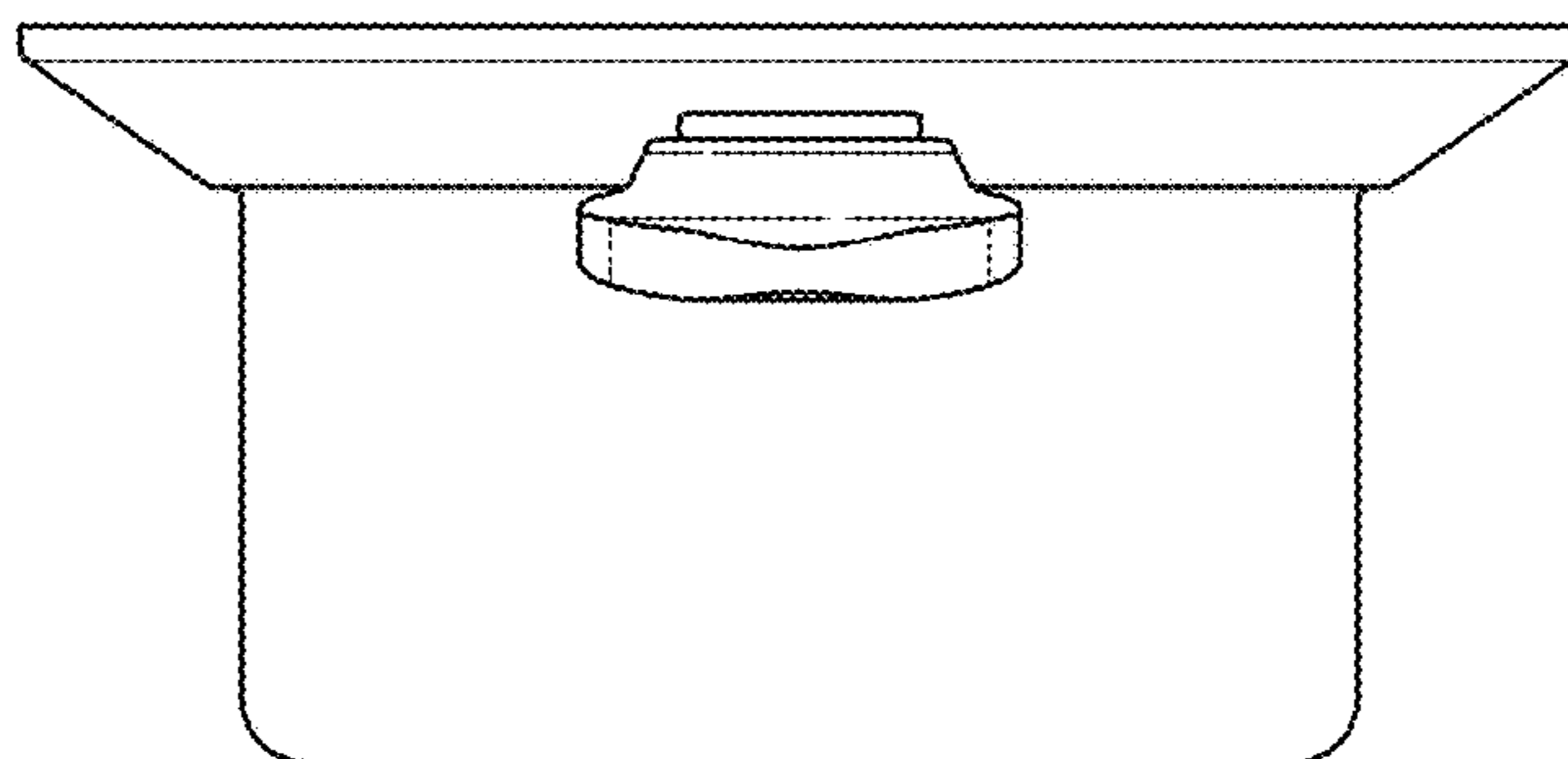


FIG. 5

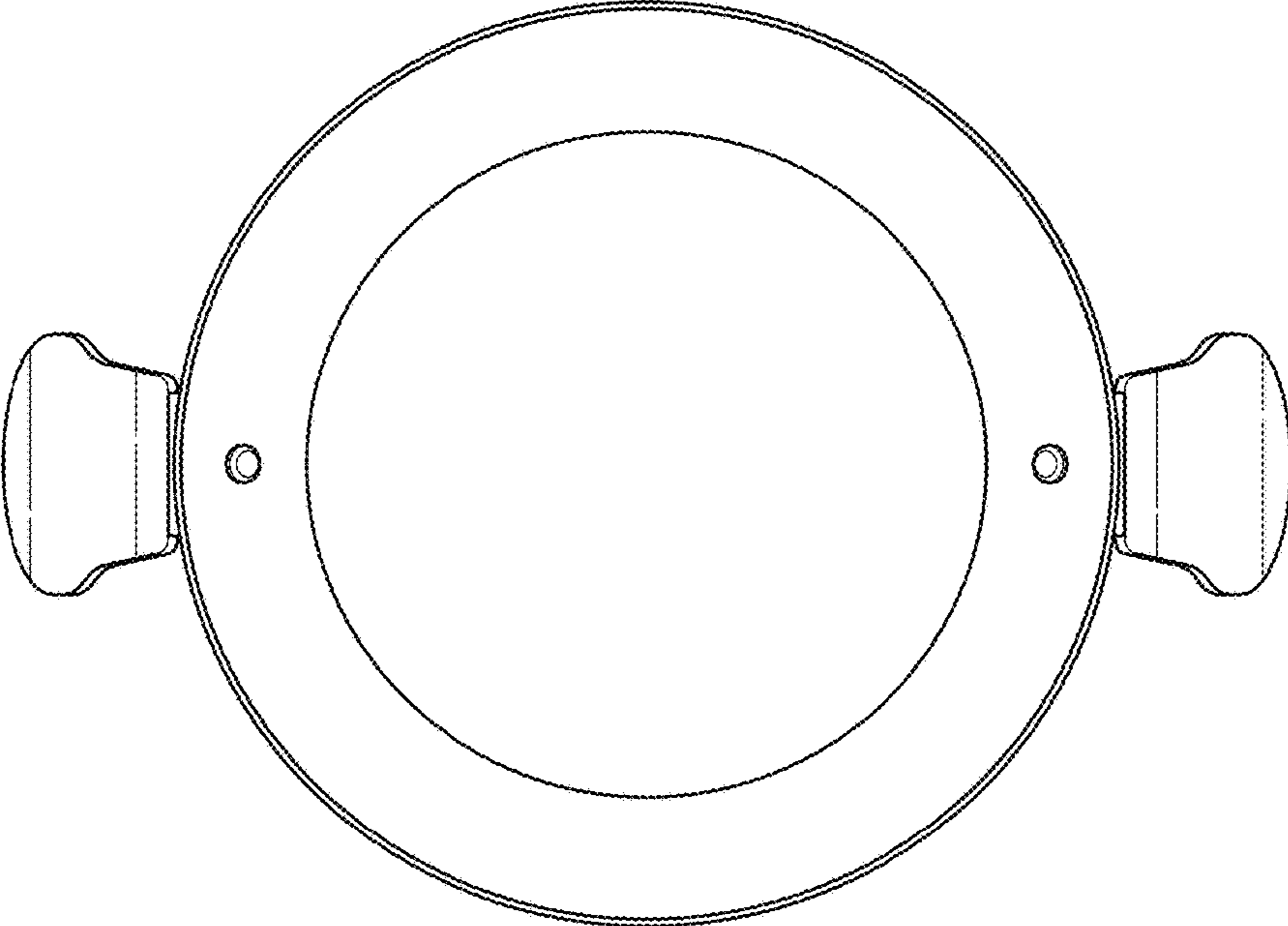


FIG. 6

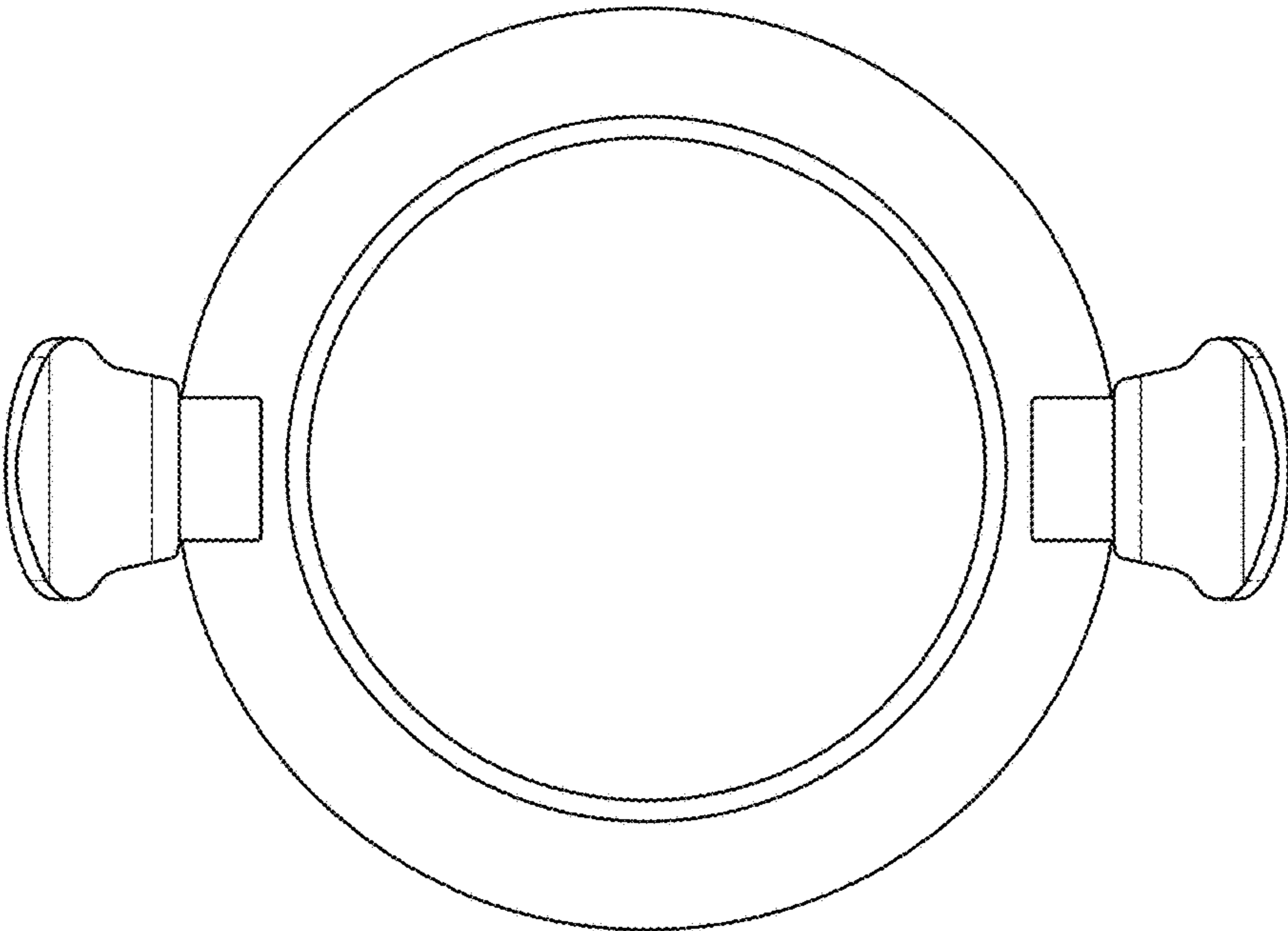


FIG. 7

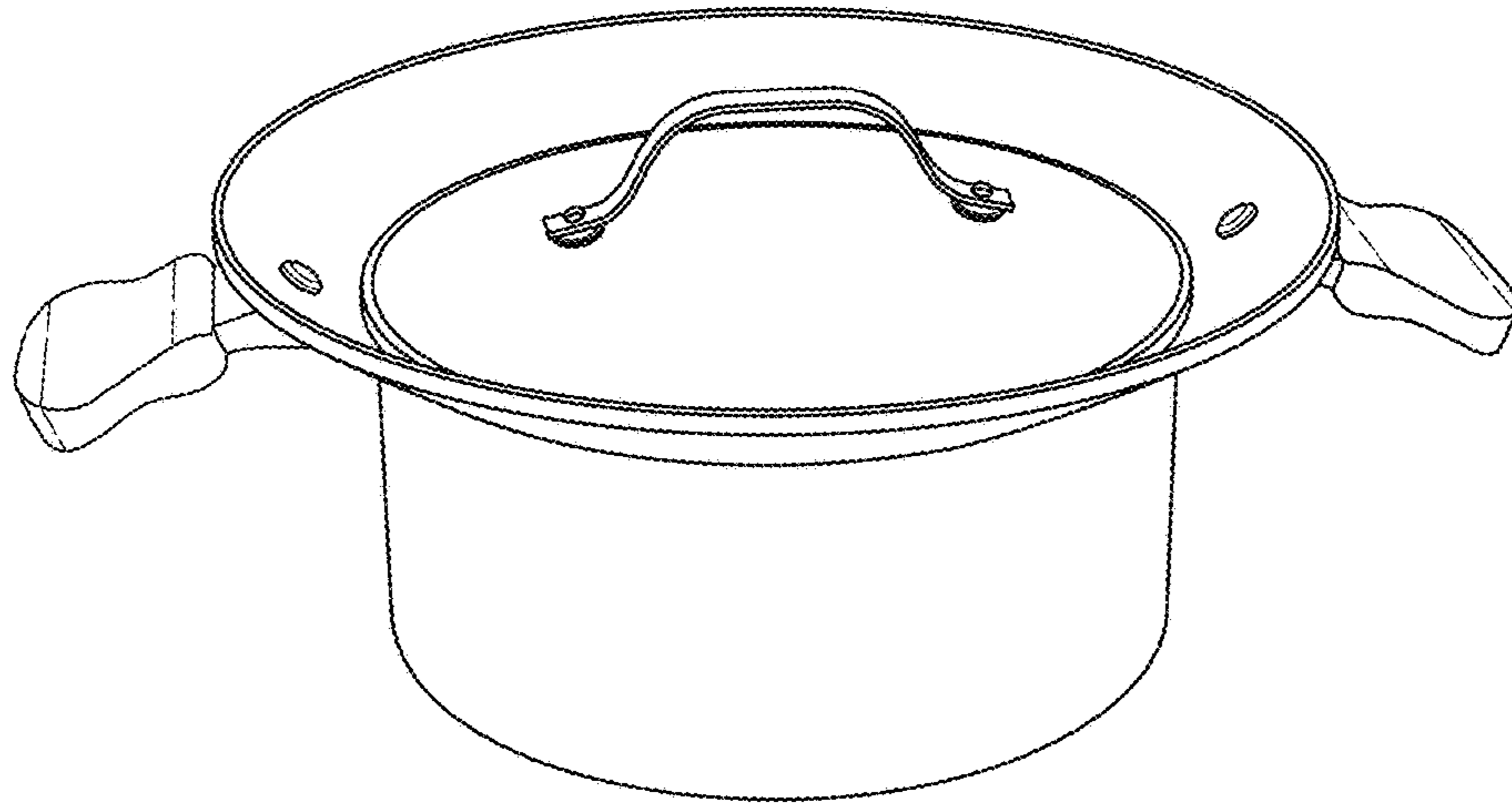


FIG. 8

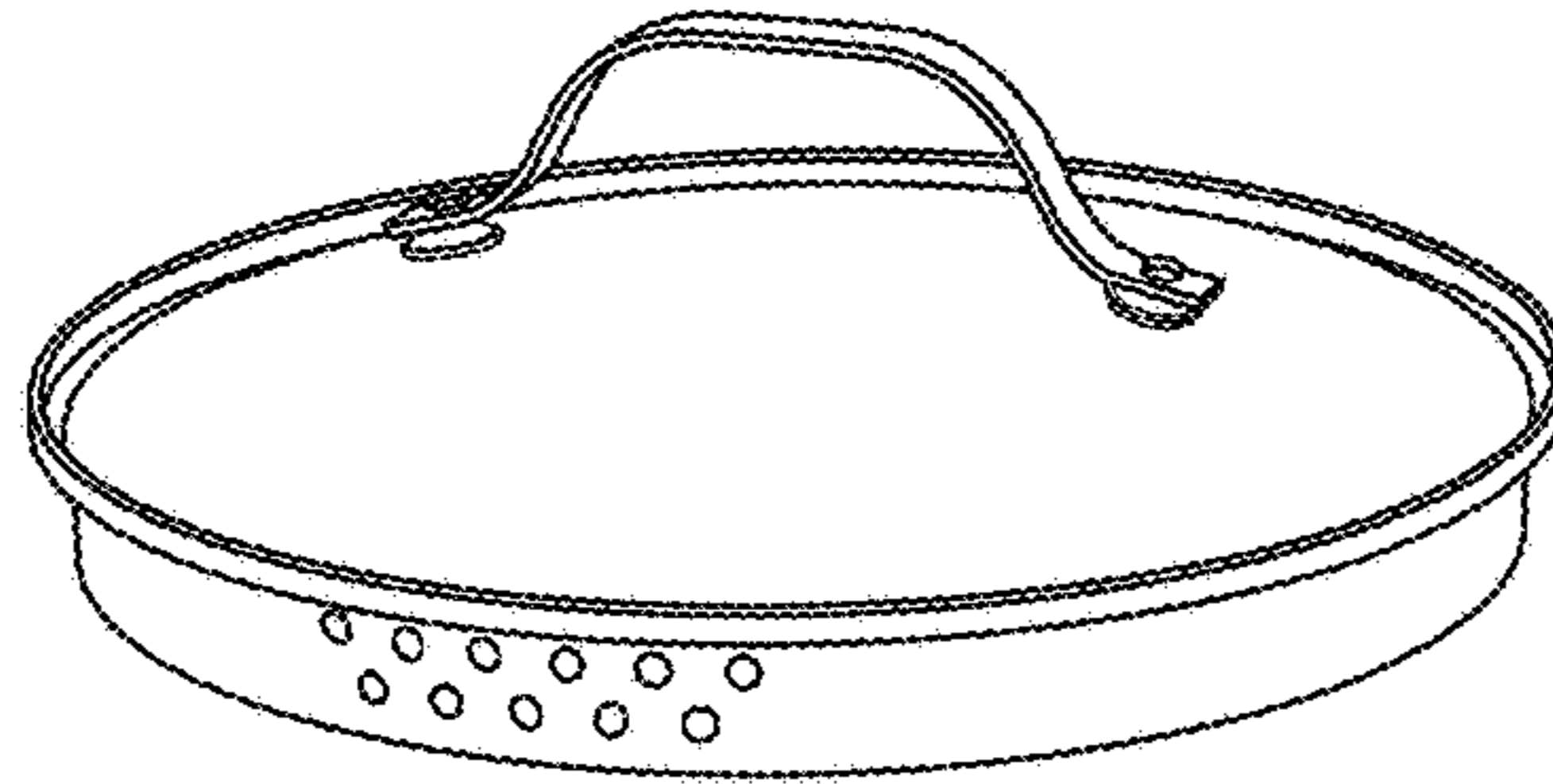


FIG. 9

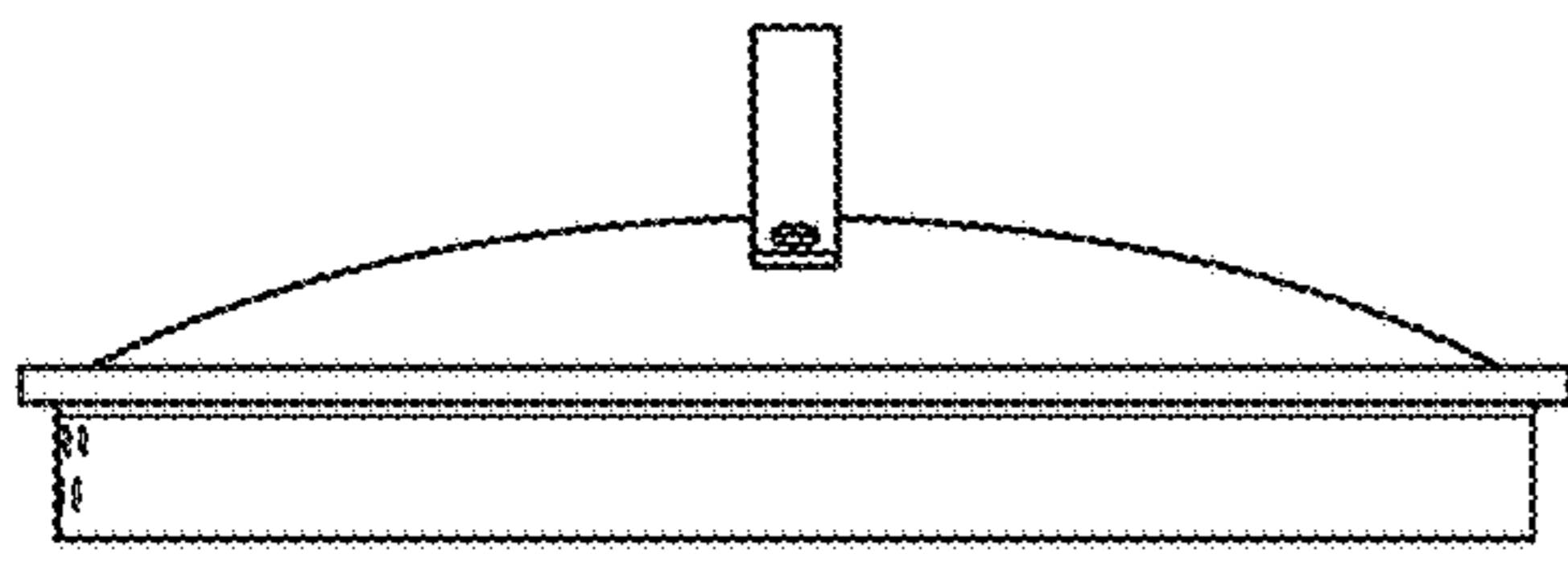


FIG. 10

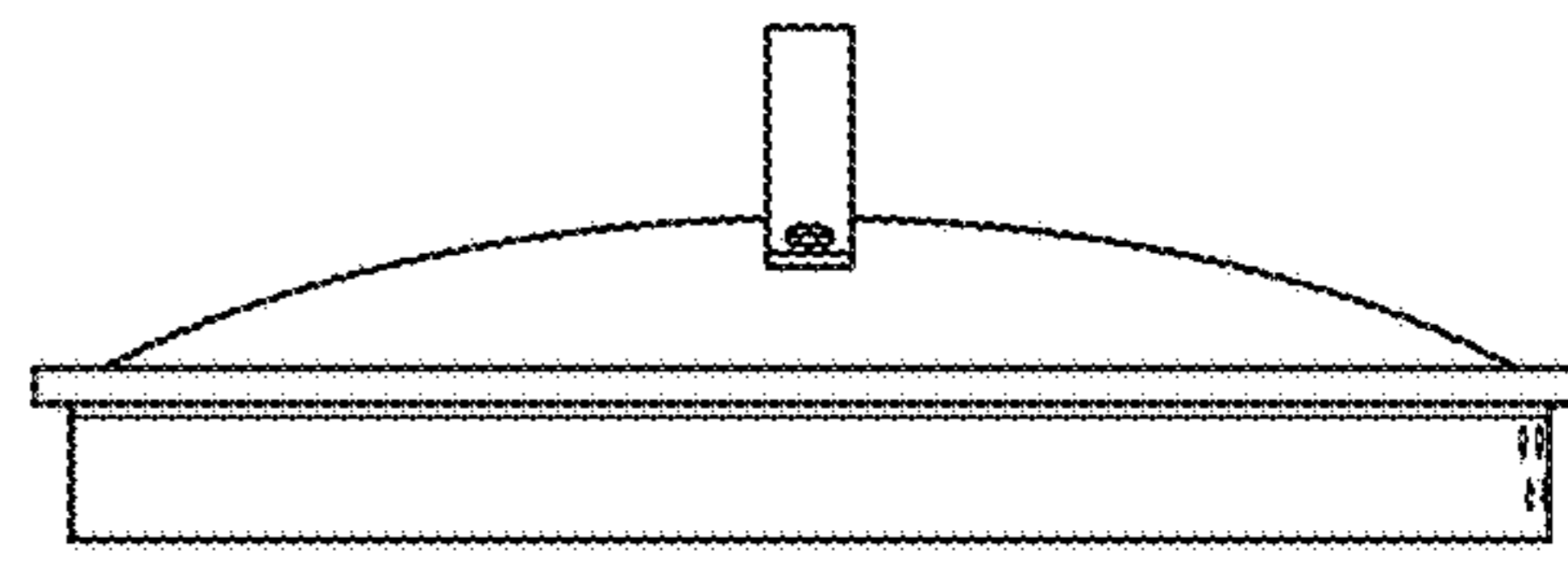


FIG. 11

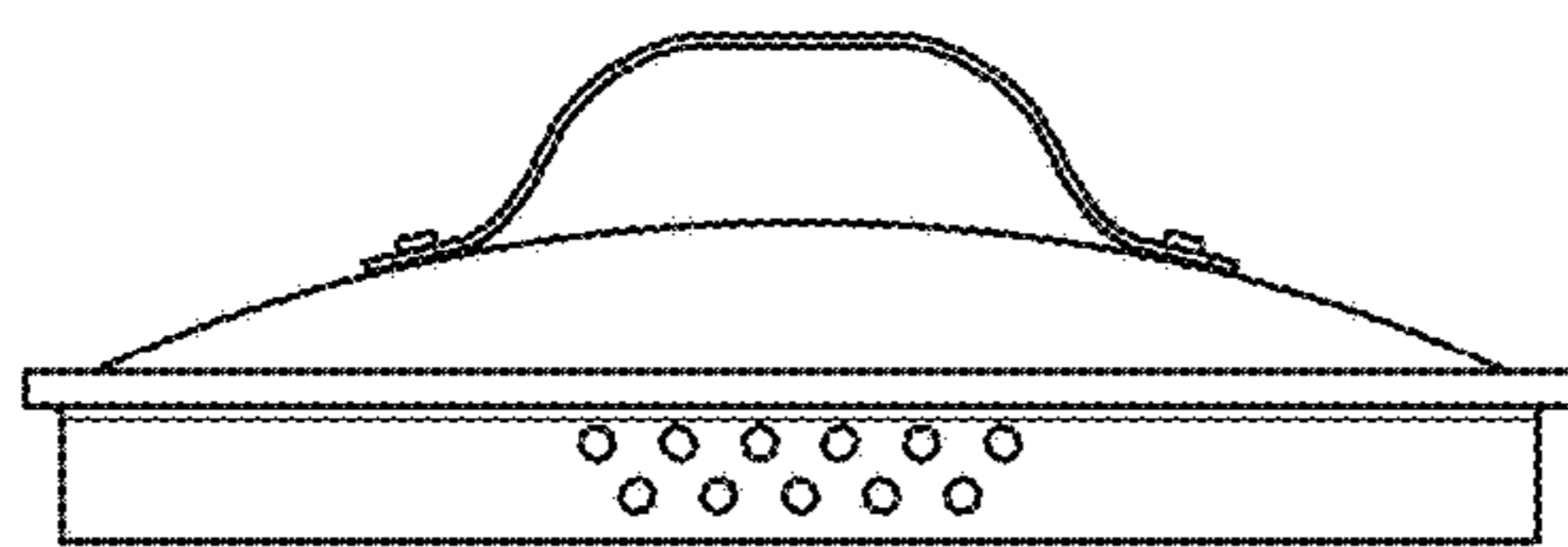


FIG. 12

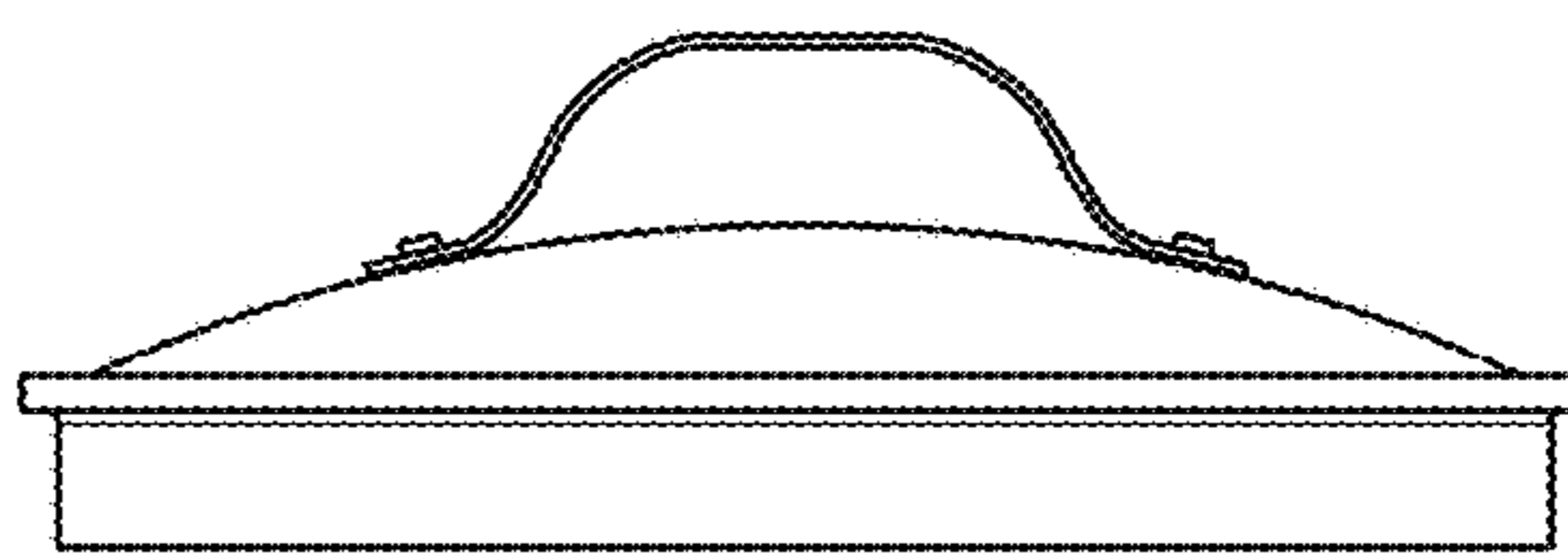


FIG. 13

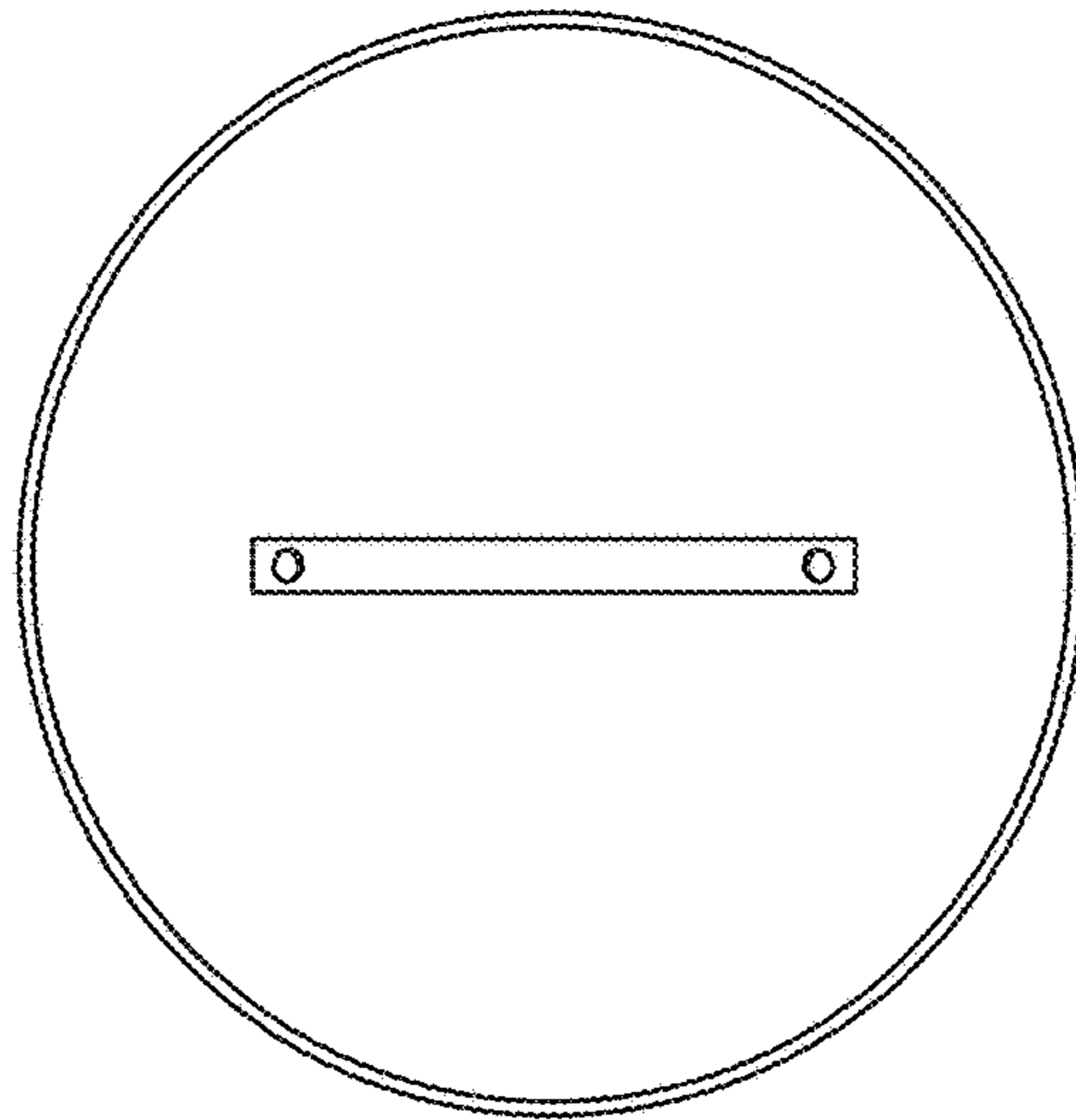


FIG. 14

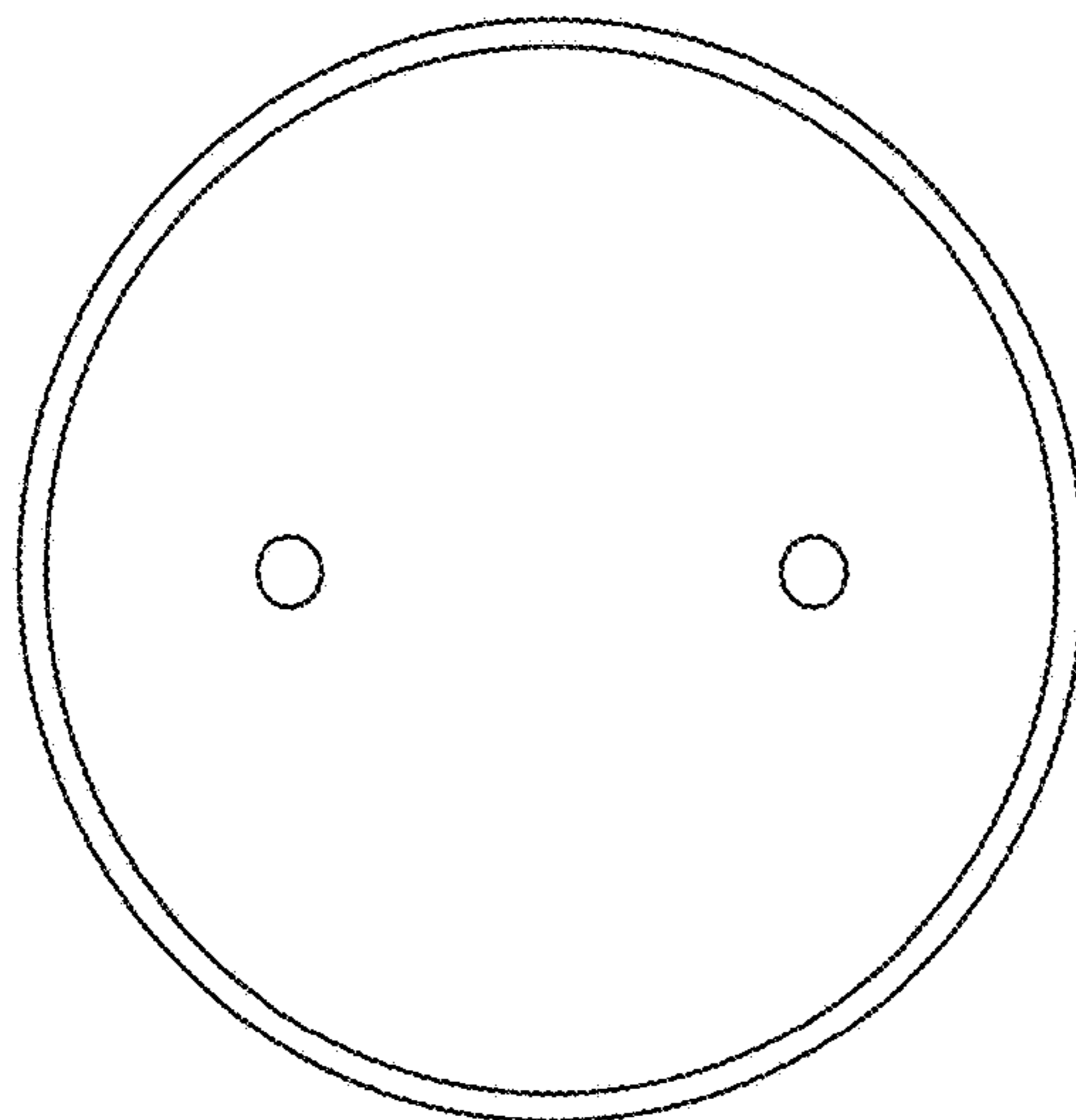


FIG. 15