

US00D865431S

(12) **United States Design Patent** (10) **Patent No.:** **US D865,431 S**  
**Frank** (45) **Date of Patent:** **\*\* Nov. 5, 2019**

(54) **BAKING MOLD FOR PULL-APART BAKED GOODS**

(71) Applicant: **King's Hawaiian Holding Company, Inc.**, Torrance, CA (US)

(72) Inventor: **Jordan Frank**, Torrance, CA (US)

(73) Assignee: **KING'S HAWAIIAN HOLDING COMPANY, INC.**, Torrance, CA (US)

(\*\*) Term: **15 Years**

(21) Appl. No.: **29/663,741**

(22) Filed: **Sep. 18, 2018**

(51) **LOC (12) Cl.** ..... **07-02**

(52) **U.S. Cl.**  
USPC ..... **D7/359; D7/354**

(58) **Field of Classification Search**  
USPC ..... D7/323, 354-361, 407, 417, 543-545, D7/549, 550.1, 553.1-553.8, 554.1-554.4, D7/555, 584, 586, 675; D9/430-433, D9/455-456, 658, 737, 756-762  
CPC .... A21B 3/00; A21B 3/13; A21B 3/15; A21B 3/134; A21B 5/00; A21B 5/02; A47J 36/022; A47J 36/025; A47J 36/027; A47J 37/00; A47J 37/04; B65D 1/22; B65D 1/24; B65D 1/34; B65D 1/36; B65D 81/343; B65D 85/36  
See application file for complete search history.

(56) **References Cited**

U.S. PATENT DOCUMENTS

D7,491 S \* 6/1874 Boteler ..... D7/544  
D24,342 S \* 5/1895 Henderson ..... D7/675

D82,568 S \* 11/1930 Lesser ..... D9/658  
D134,860 S \* 1/1943 Dreitzer ..... D7/544  
D157,012 S \* 1/1950 Towler ..... D7/675  
D246,412 S \* 11/1977 Brunner ..... D7/675  
D437,186 S \* 2/2001 Asner ..... D7/544  
D505,829 S \* 6/2005 Paplinski ..... D7/213  
D530,144 S \* 10/2006 O'Flynn ..... D7/354  
D540,110 S \* 4/2007 Nichols ..... D7/354  
D582,199 S \* 12/2008 Ainsworth ..... D7/359  
D641,219 S \* 7/2011 Zeilinger ..... D7/354  
D702,083 S \* 4/2014 Busarow ..... D7/407

\* cited by examiner

Primary Examiner — Ricky Pham

(74) Attorney, Agent, or Firm — Seyfarth Shaw LLP

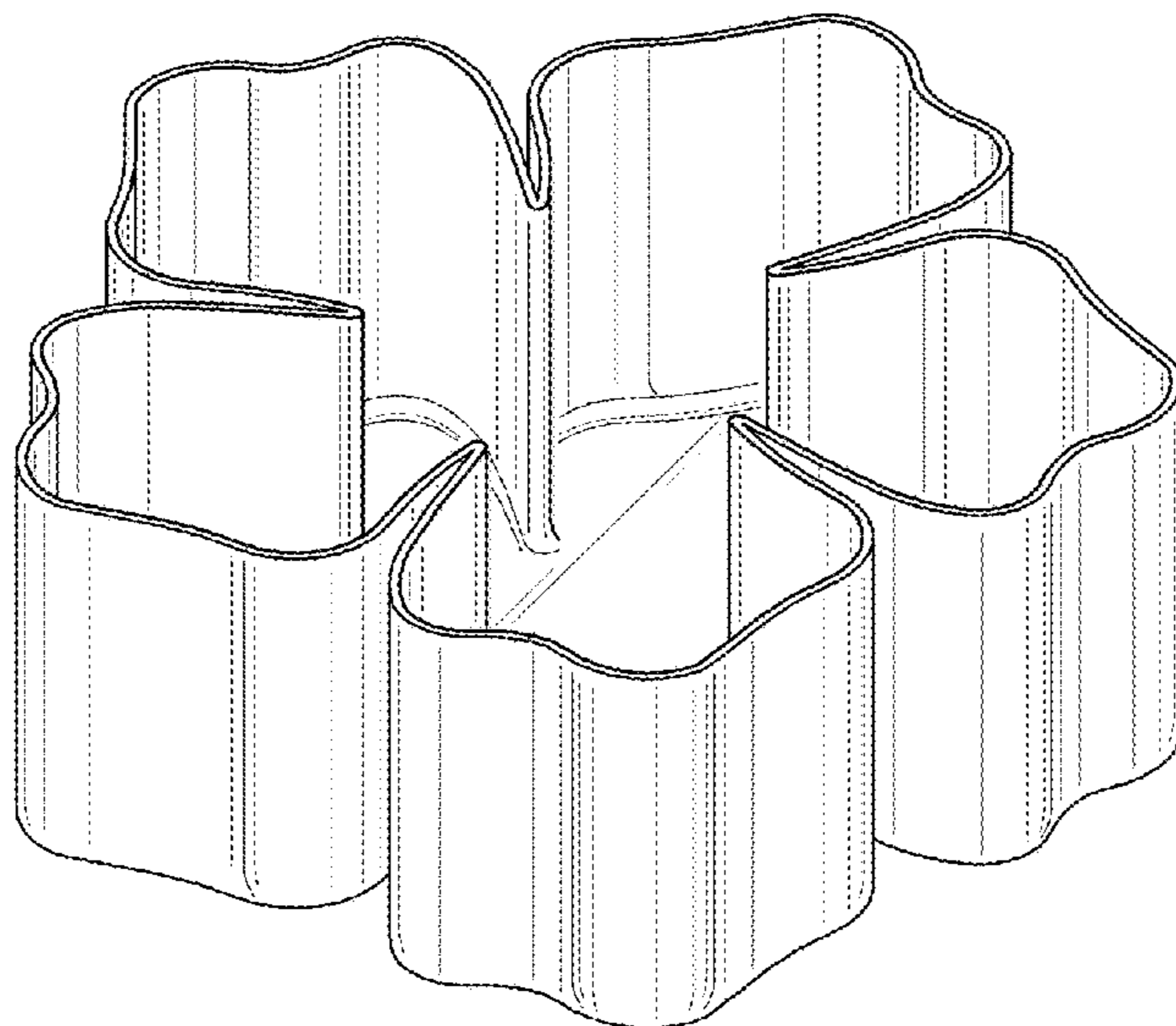
(57) **CLAIM**

The ornamental design for a baking mold for pull-apart baked goods, as shown and described.

**DESCRIPTION**

FIG. 1 is a perspective view a baking mold for pull-apart baked goods showing my new design.  
FIG. 2 is a top plan view of the baking mold shown in FIG. 1.  
FIG. 3 is a bottom plan view of the baking mold shown in FIG. 1.  
FIG. 4 is a front elevation view of the baking mold shown in FIG. 1.  
FIG. 5 is a rear elevation view of the baking mold shown in FIG. 1.  
FIG. 6 is a left elevation view of the baking mold shown in FIG. 1; and,  
FIG. 7 is a right elevation view of the baking mold shown in FIG. 1.

**1 Claim, 7 Drawing Sheets**



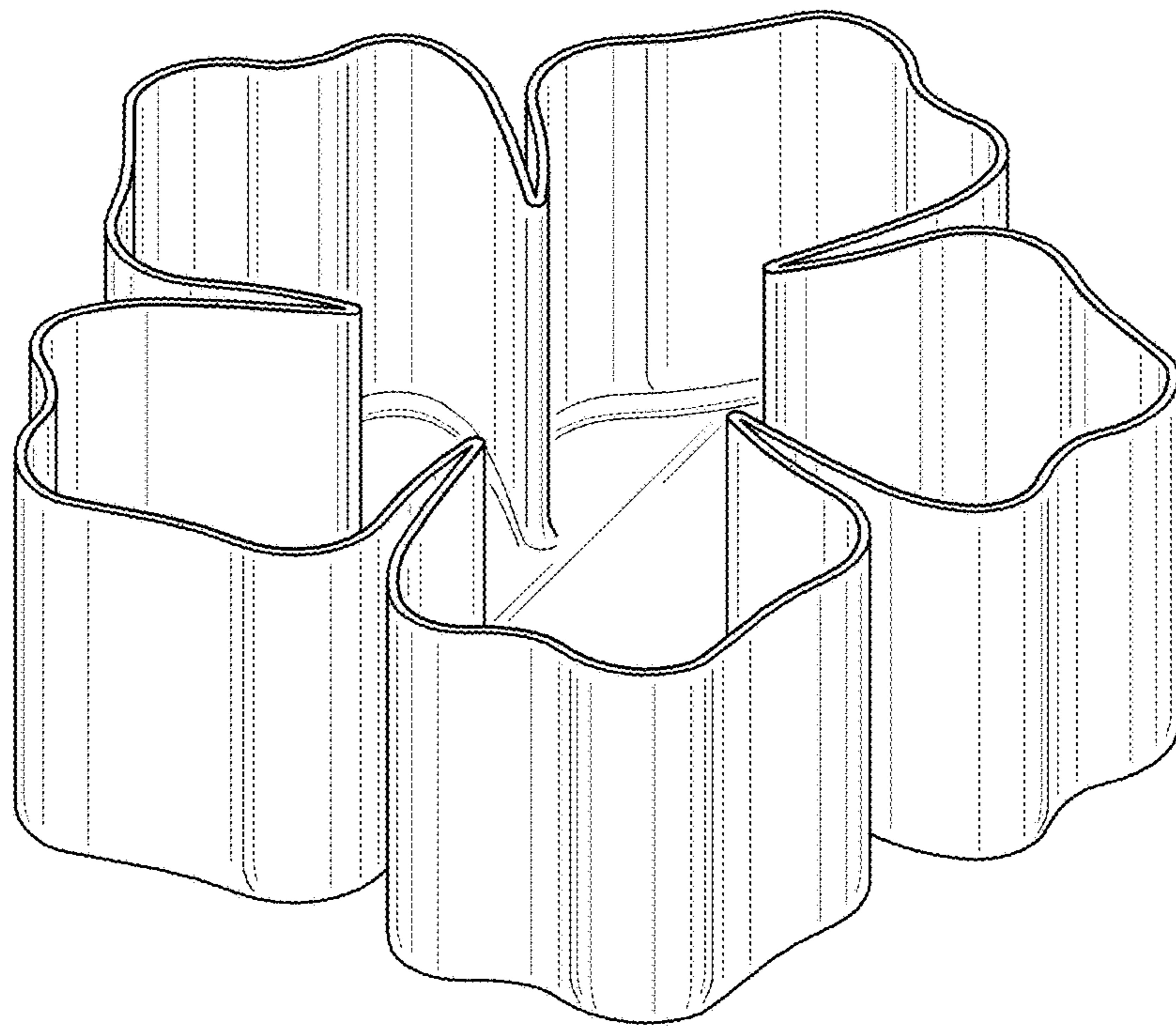


FIG. 1

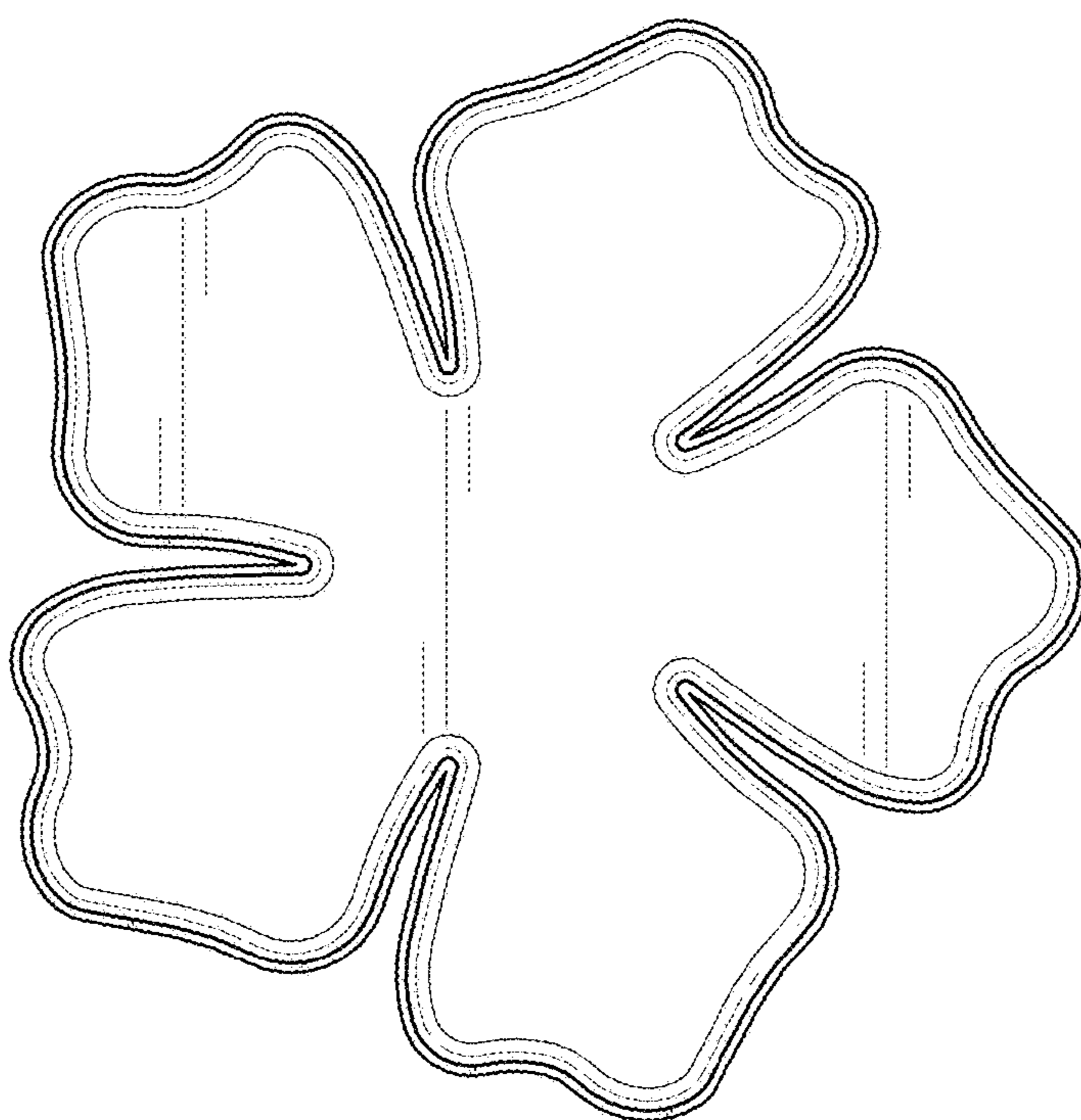


FIG. 2

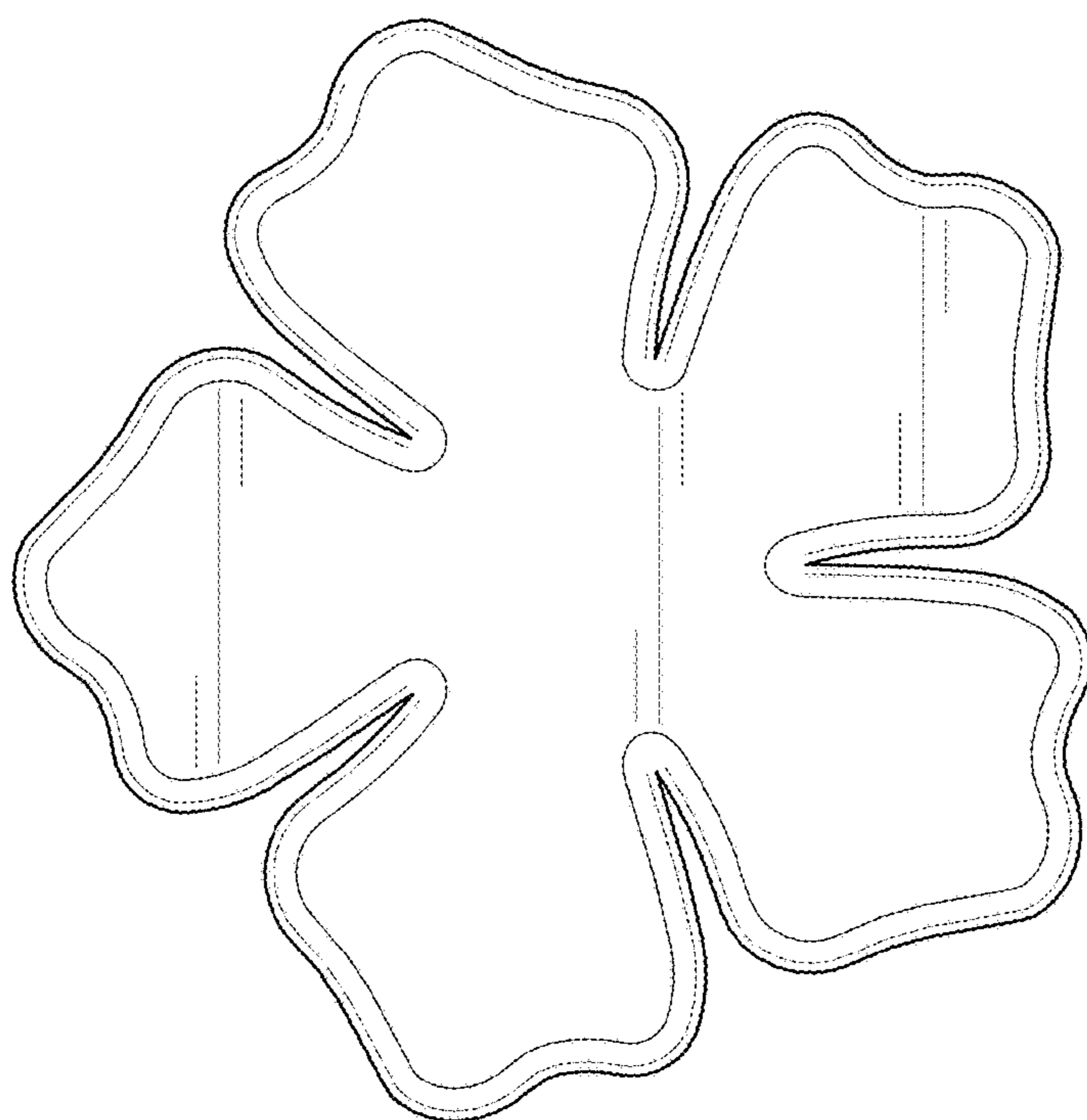


FIG. 3

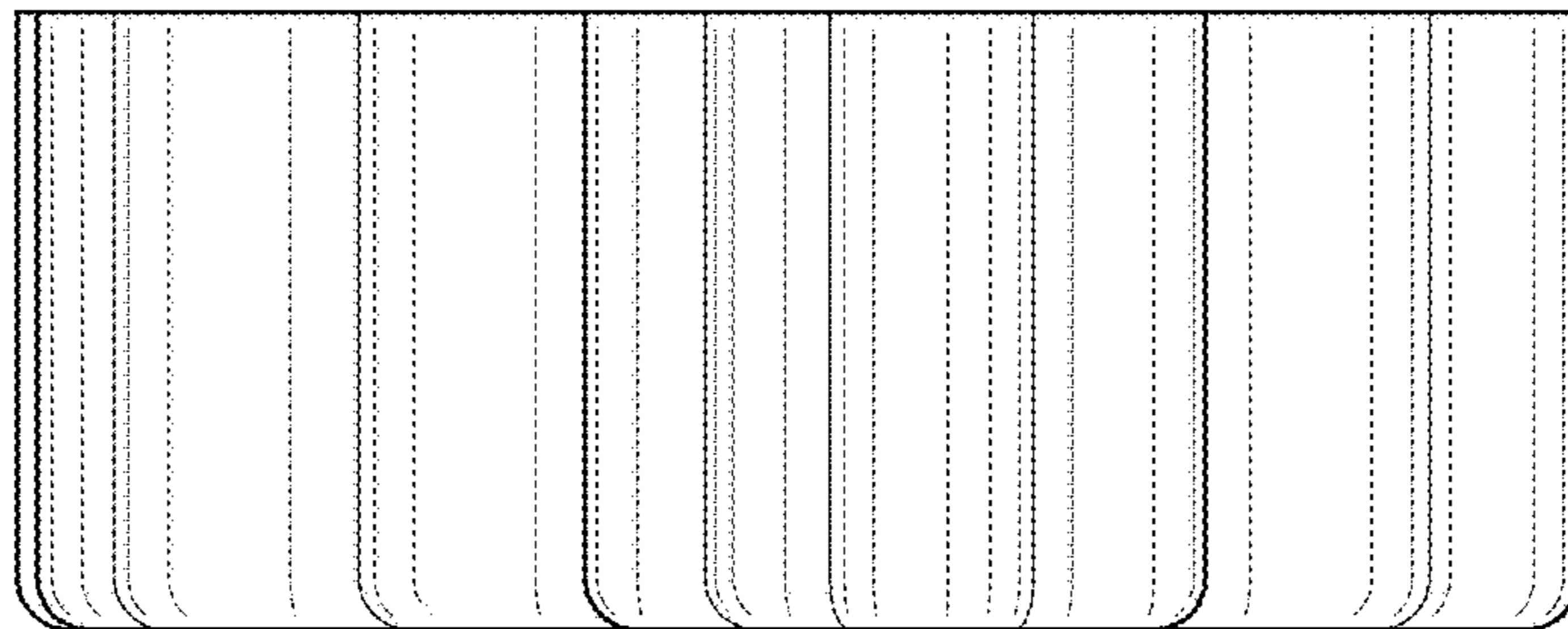


FIG. 4

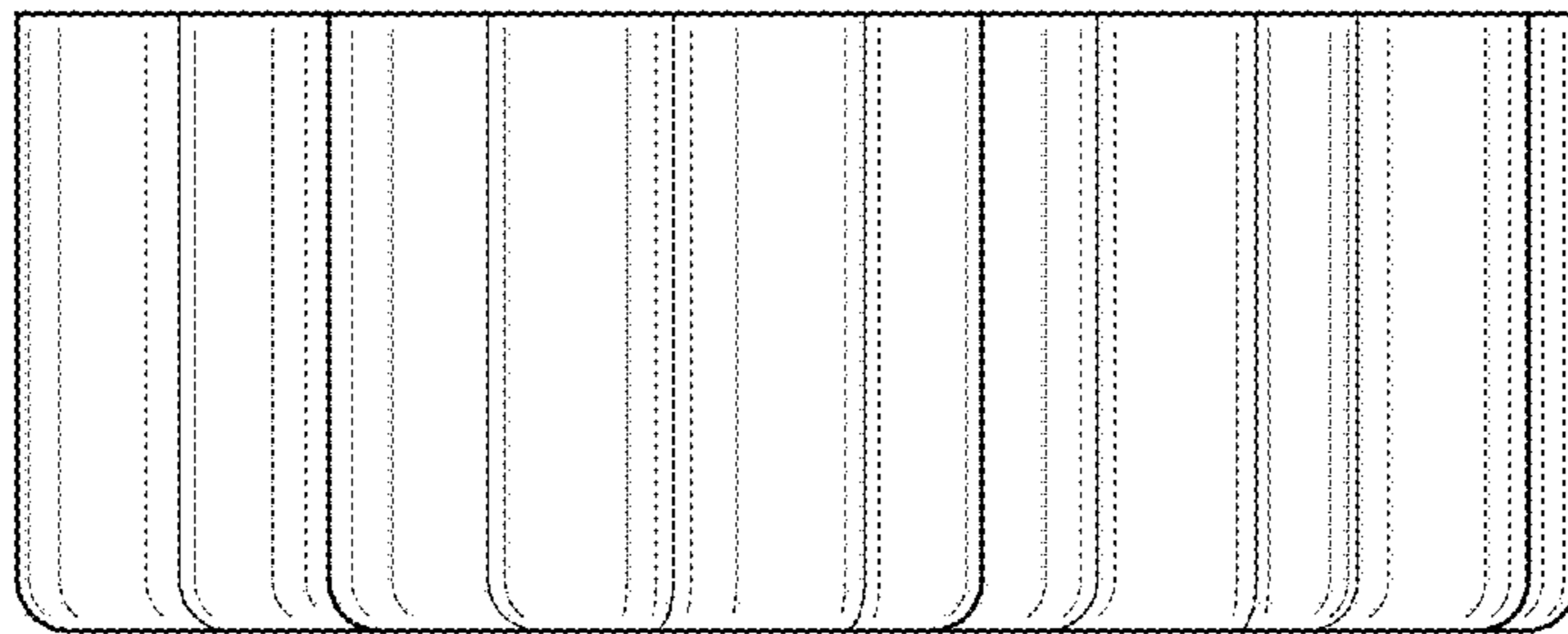


FIG. 5

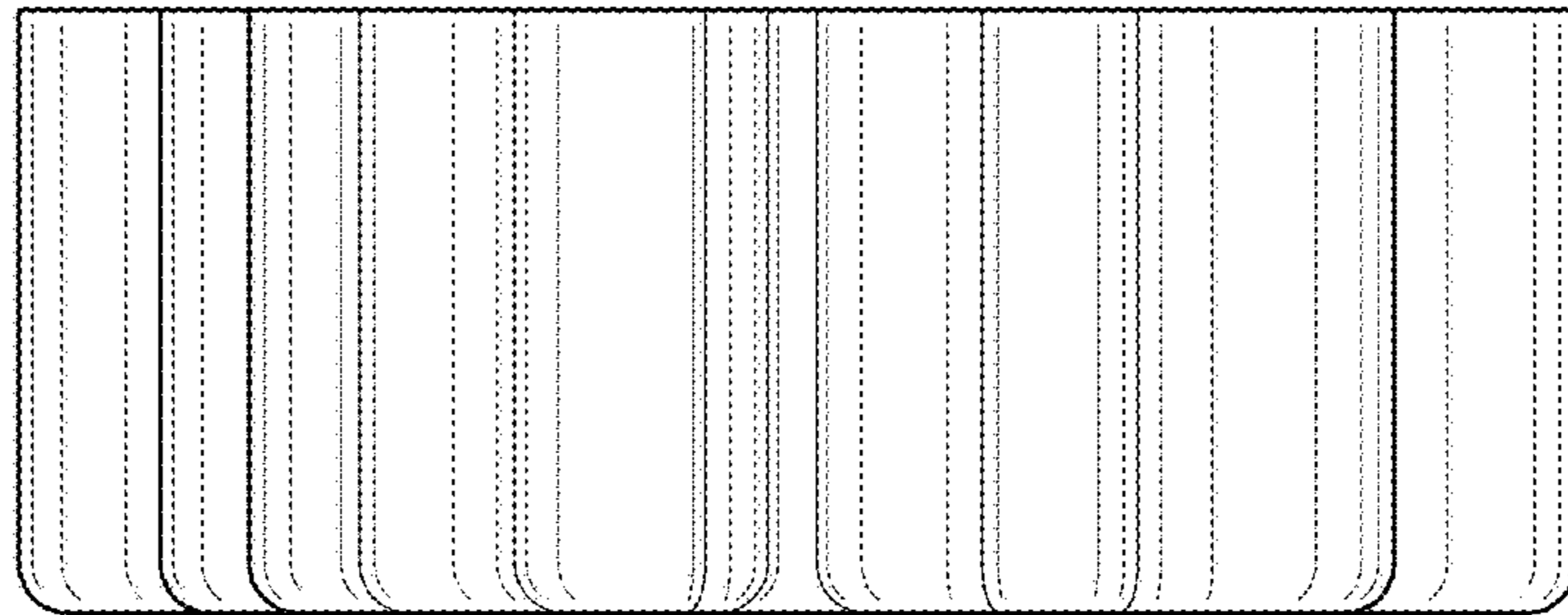


FIG. 6

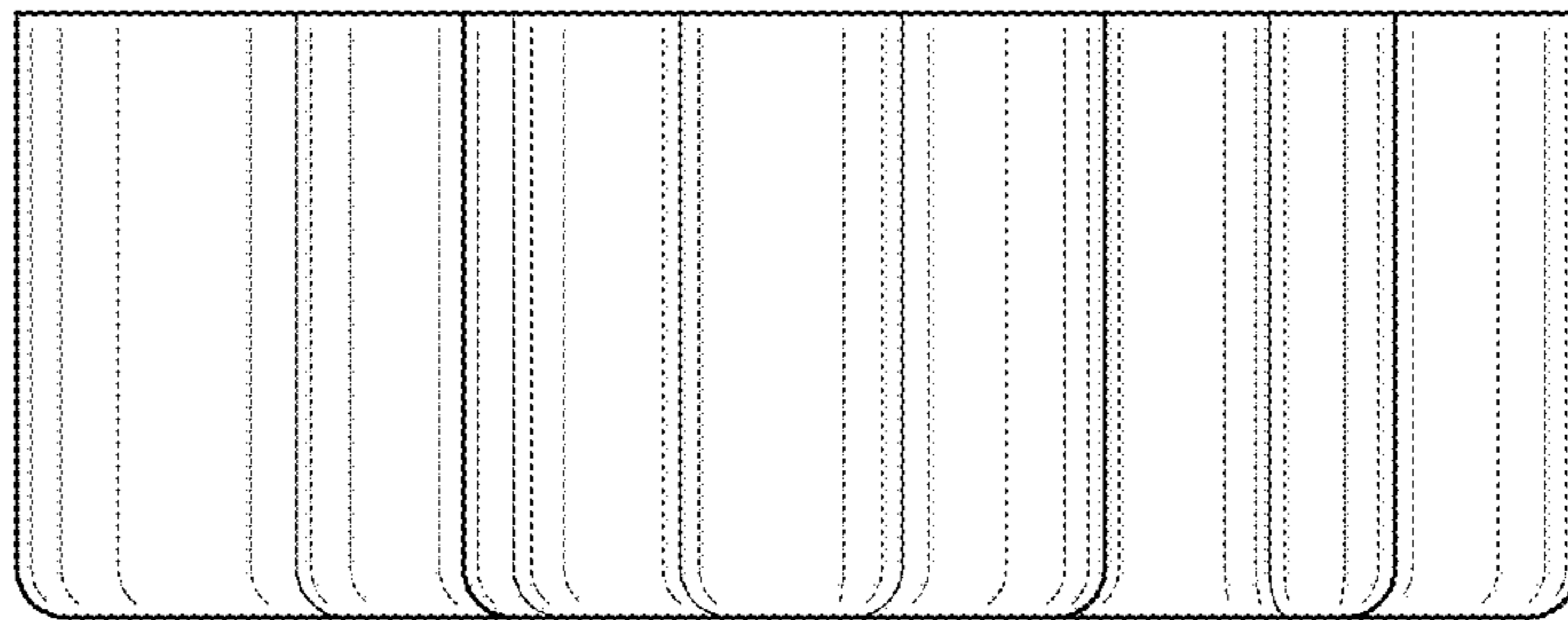


FIG. 7