



US00D865430S

(12) **United States Design Patent**
Wang

(10) **Patent No.:** **US D865,430 S**

(45) **Date of Patent:** **** Nov. 5, 2019**

(54) **FOOD HEATER**

(71) Applicant: **Yunhua Wang**, Beijing (CN)

(72) Inventor: **Yunhua Wang**, Beijing (CN)

(**) Term: **15 Years**

(21) Appl. No.: **29/622,802**

(22) Filed: **Oct. 19, 2017**

(30) **Foreign Application Priority Data**

Apr. 21, 2017 (CN) 2017 3 0135779

(51) **LOC (12) Cl.** **07-02**

(52) **U.S. Cl.**
USPC **D7/355; D7/354**

(58) **Field of Classification Search**

USPC D7/323, 350.1, 350.2, 351, 354-361
CPC . A21B 7/005; A47J 27/00; A47J 27/04; A47J
27/05; A47J 27/08; A47J 27/09; A47J
27/092; A47J 36/025; A47J 36/06; A47J
36/08; A47J 36/10; A47J 36/12; A47J
37/12; A47J 37/1204; A47J 37/1209;
H05B 6/02; H05B 6/06; H05B 6/12
See application file for complete search history.

(56) **References Cited**

U.S. PATENT DOCUMENTS

D305,856 S * 2/1990 Iwahashi D7/351
D305,971 S * 2/1990 Janssens A21B 7/005
D7/360

D313,919 S * 1/1991 Naito D7/351
D325,147 S * 4/1992 Watanabe D7/350.2
D352,866 S * 11/1994 Kindley D7/351
D366,389 S * 1/1996 Inoue D7/350.2
D603,210 S * 11/2009 Davis D7/350.1
D636,629 S * 4/2011 Jerstroem D7/354
D647,752 S * 11/2011 Curtis D7/354
D665,619 S * 8/2012 Mercier D7/354
D821,134 S * 6/2018 Eades D7/354
2013/0000493 A1 * 1/2013 Watanabe A21B 7/005
99/348

* cited by examiner

Primary Examiner — Ricky Pham

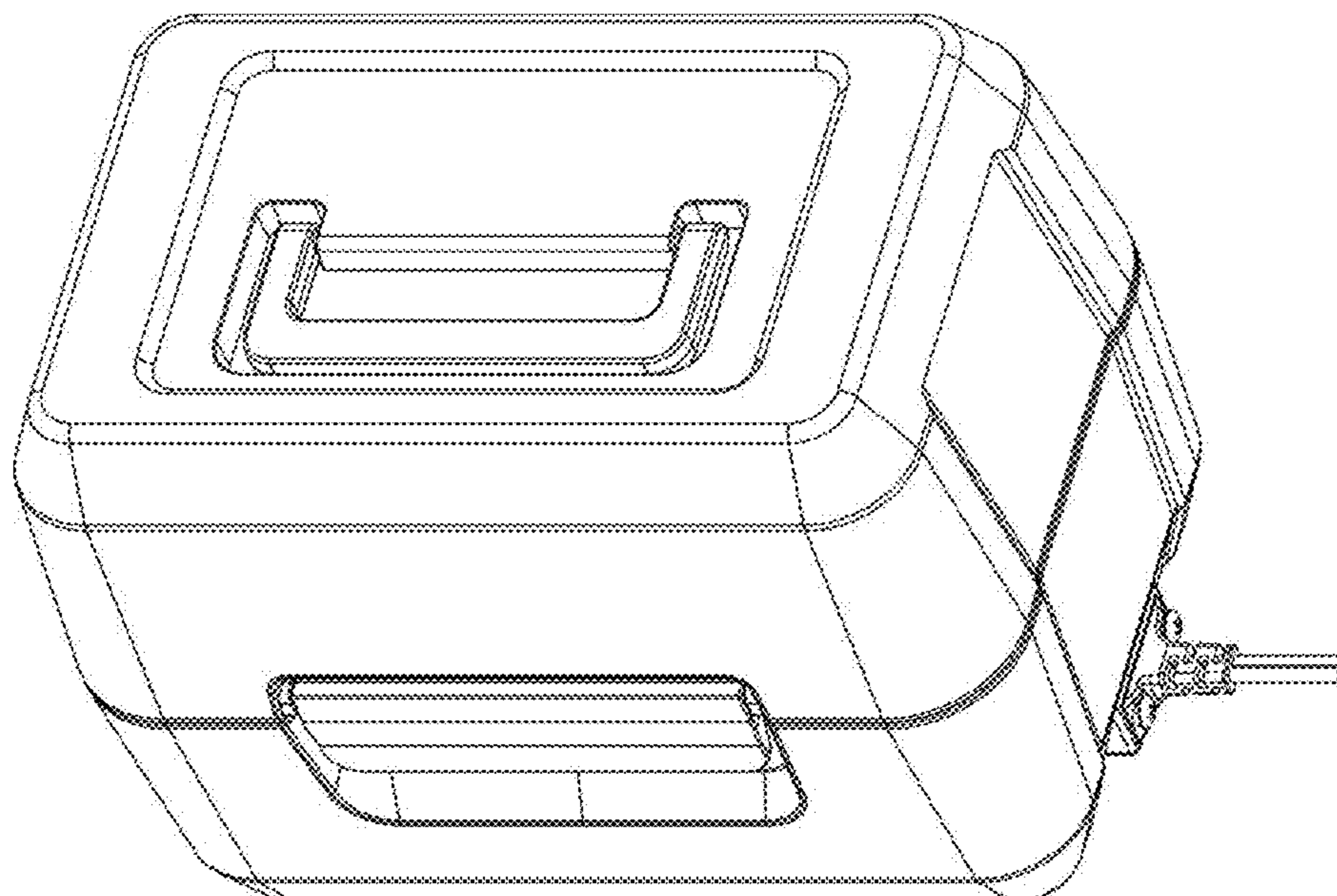
(57) **CLAIM**

The ornamental design for a food heater, as shown and described.

DESCRIPTION

FIG. 1 is a front perspective view showing the new design for a food heater;
FIG. 2 is a top view thereof;
FIG. 3 is a front view thereof;
FIG. 4 is a rear view thereof;
FIG. 5 is a side view thereof;
FIG. 6 is another side view thereof; and,
FIG. 7 is a bottom view thereof.

1 Claim, 7 Drawing Sheets



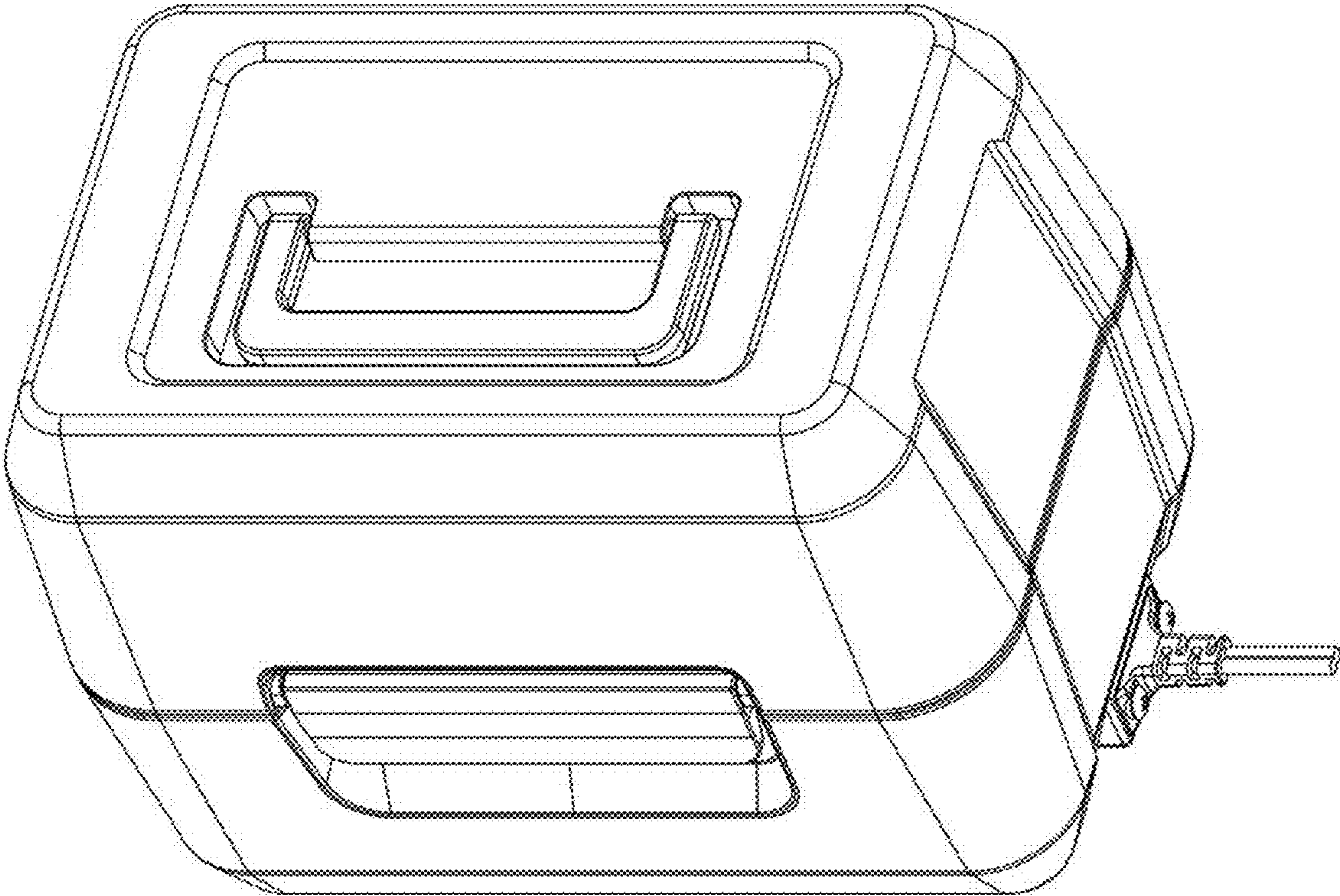


FIG. 1

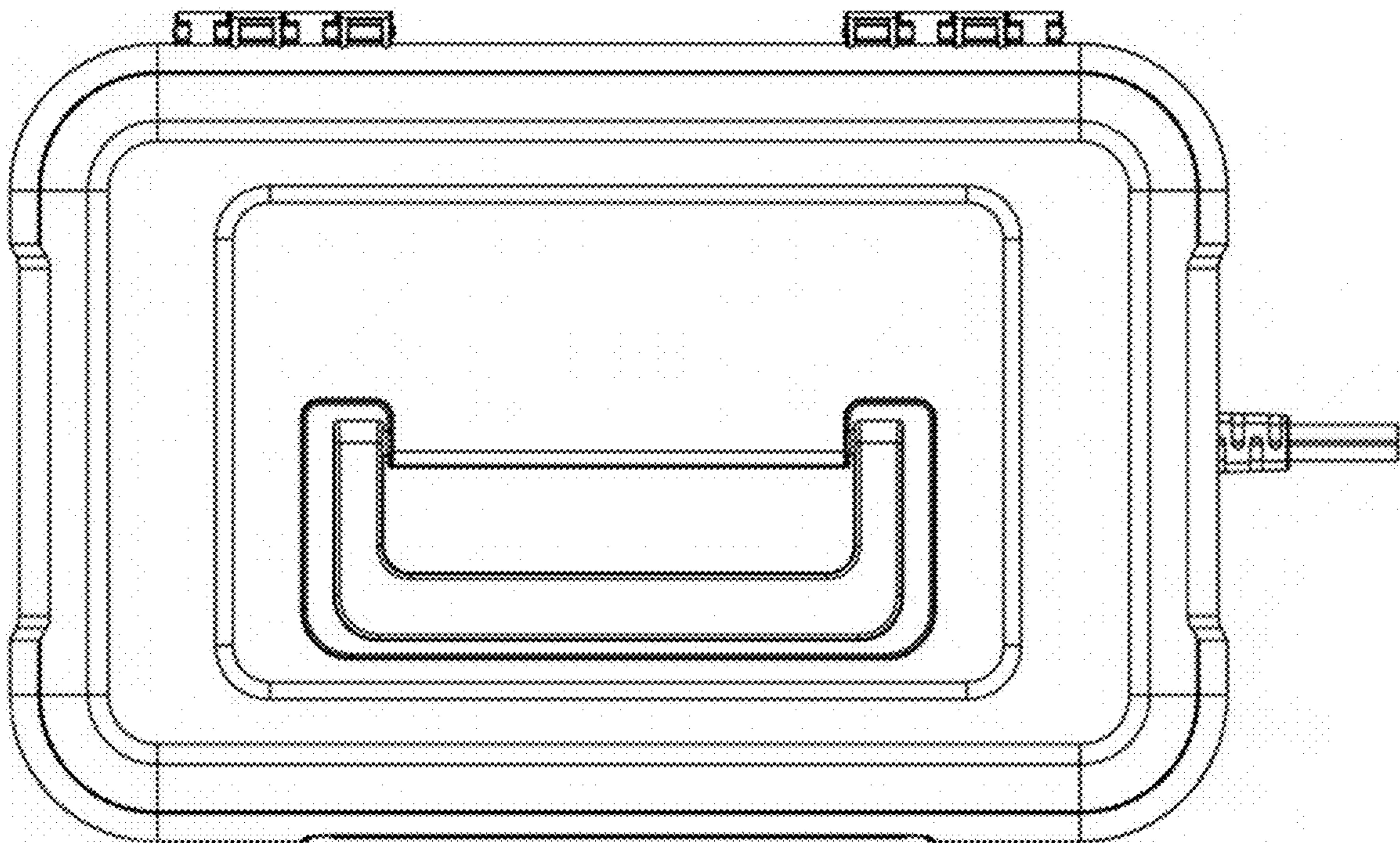


FIG. 2

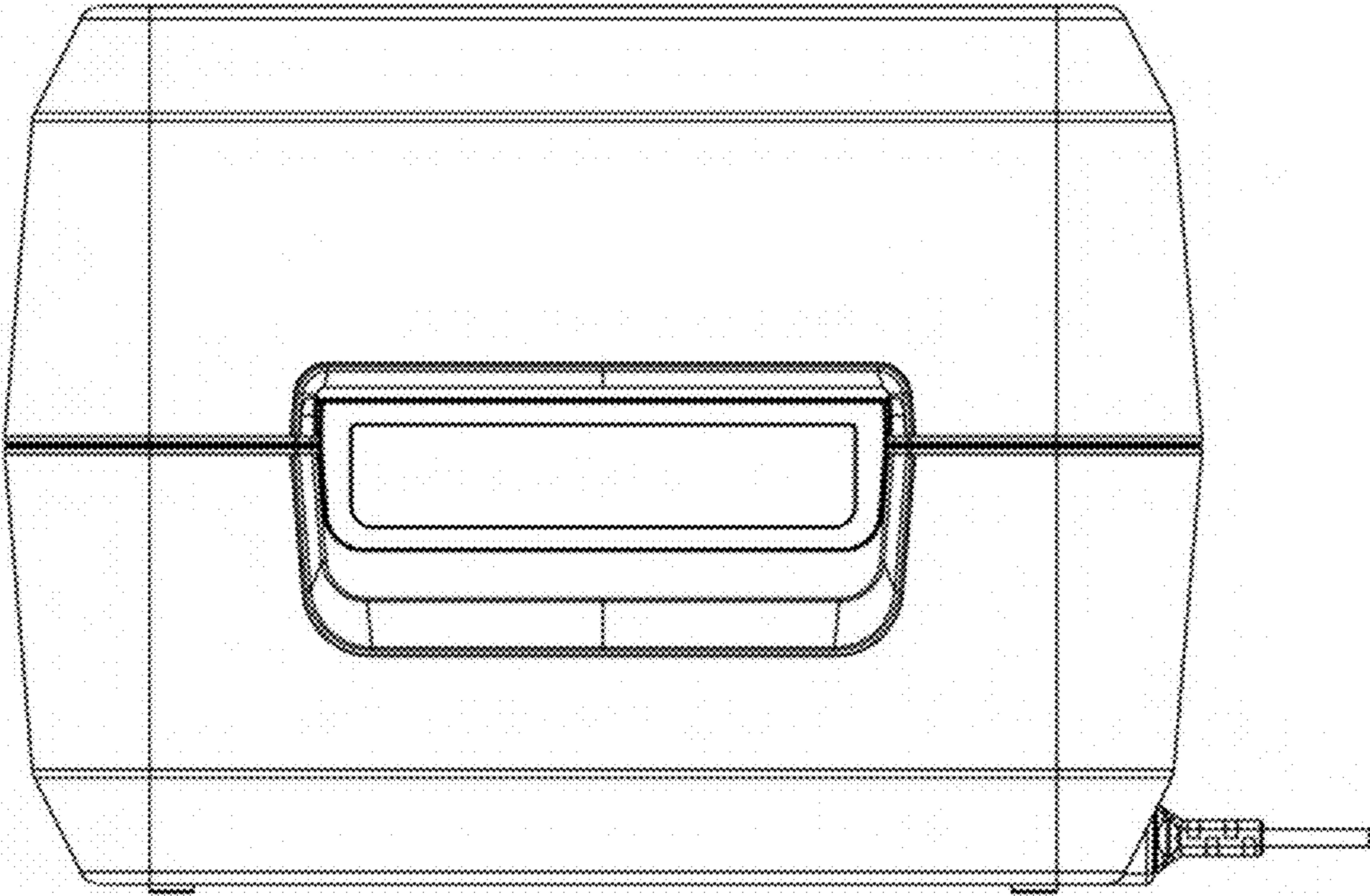


FIG. 3

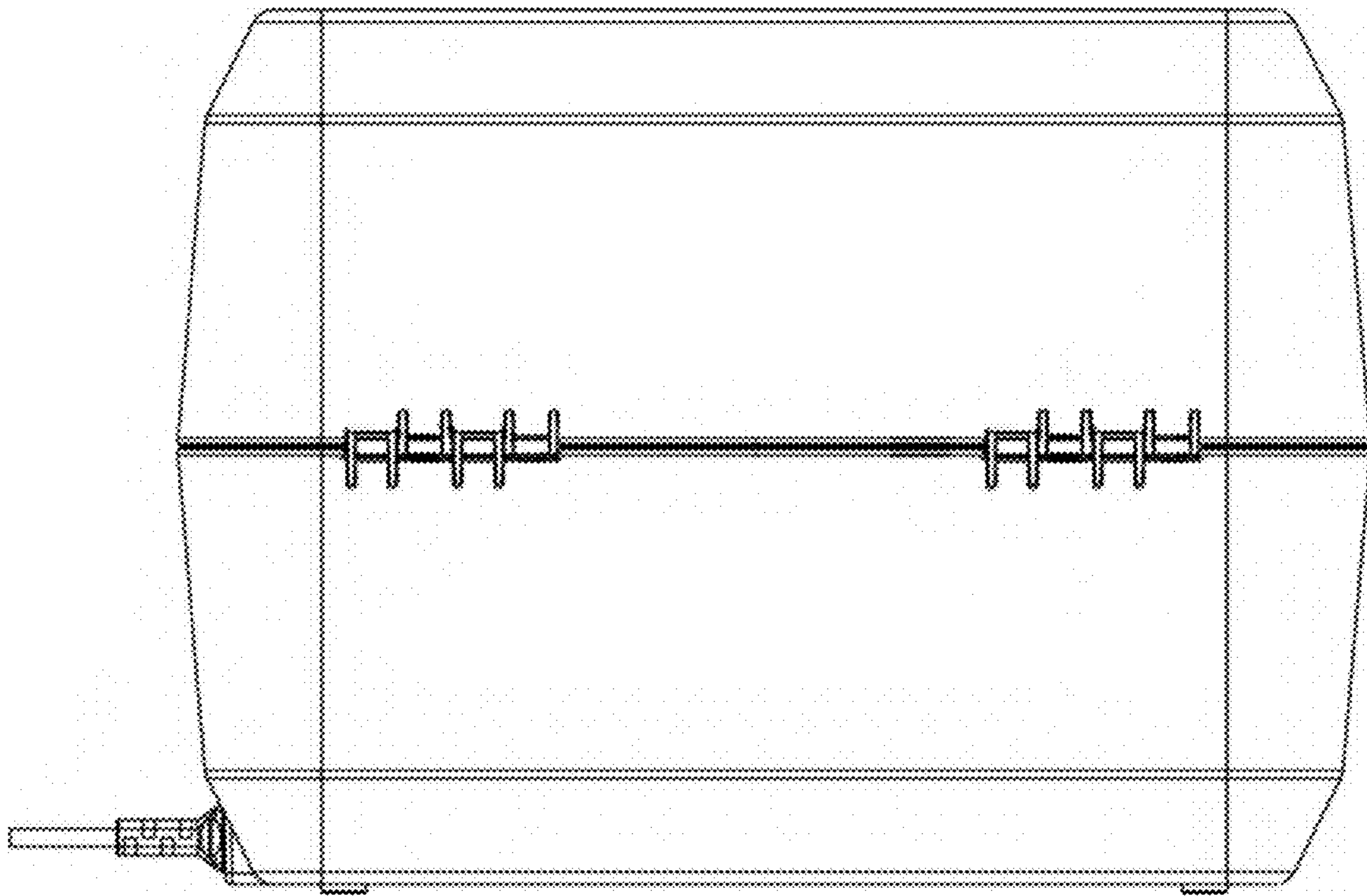


FIG. 4

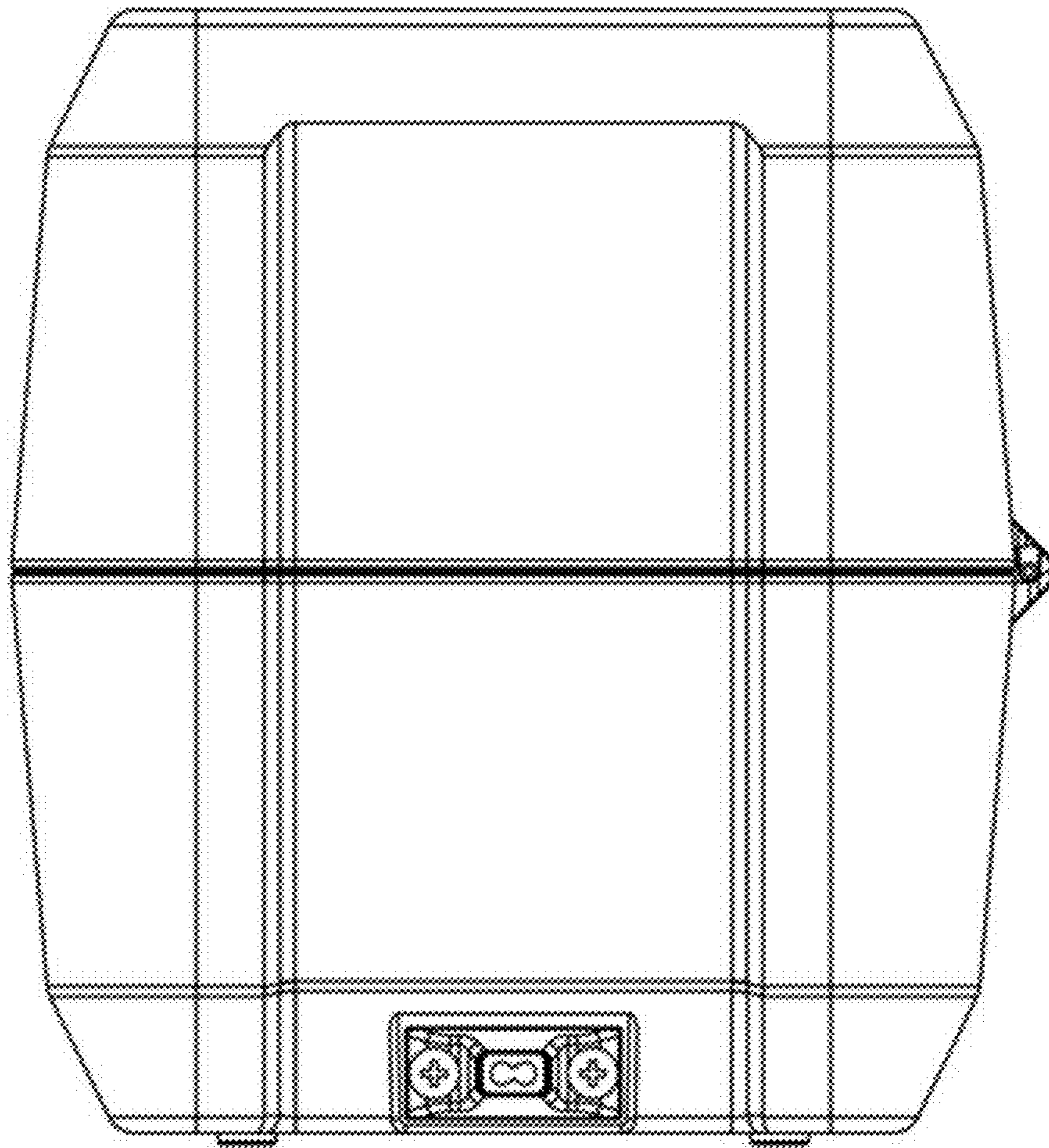


FIG. 5

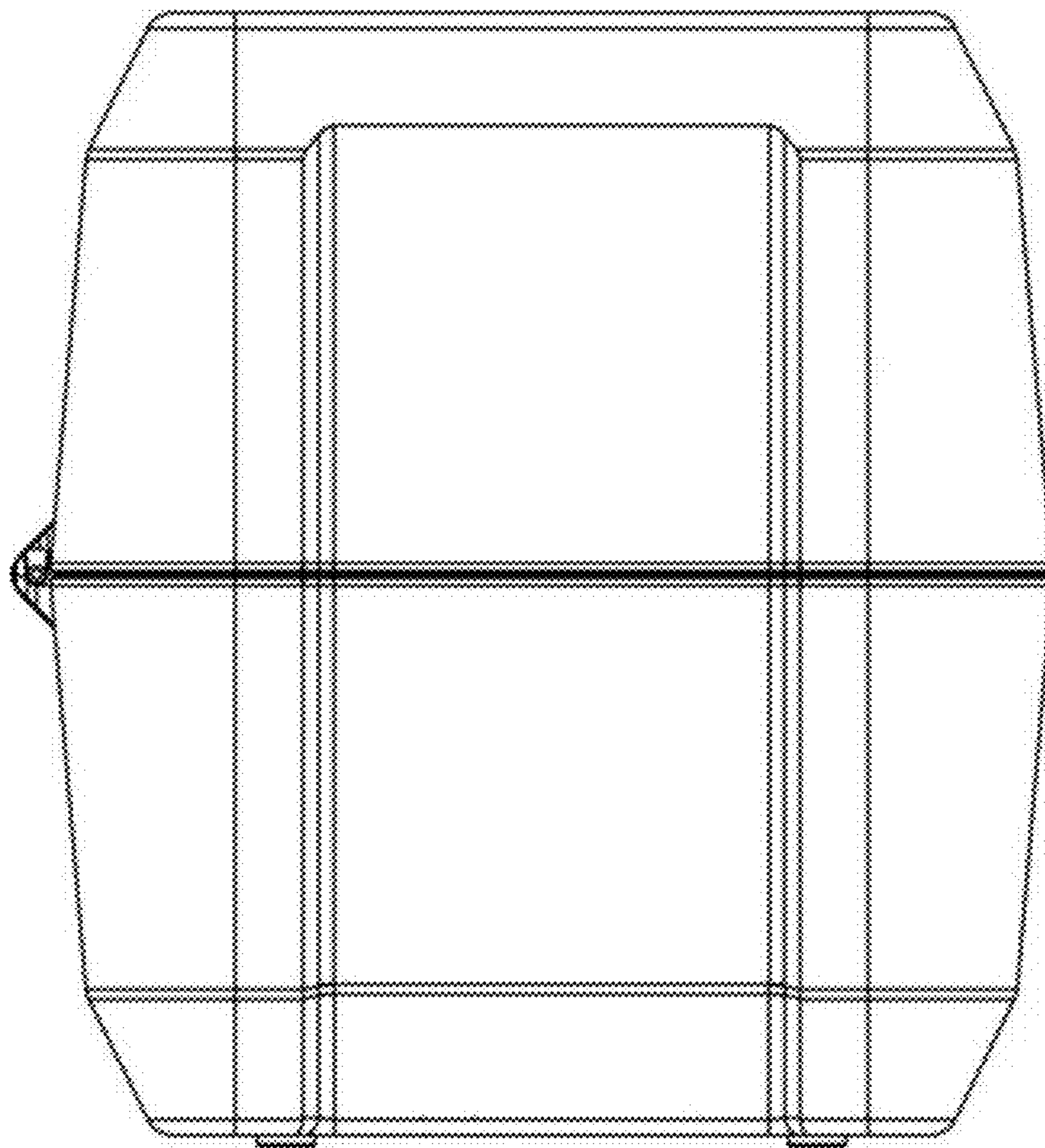


FIG. 6

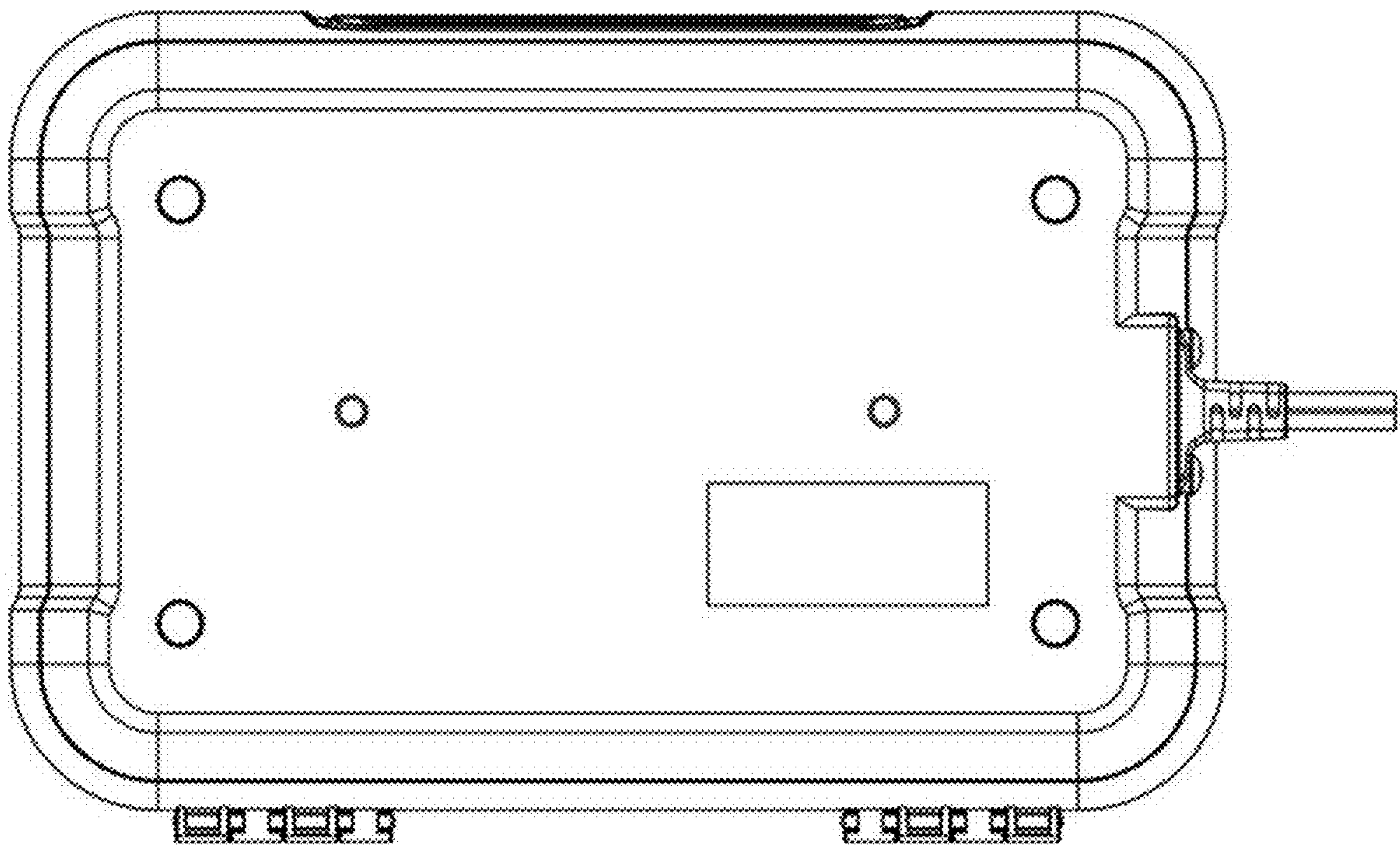


FIG. 7