



US00D865429S

(12) **United States Design Patent**
Kim et al.

(10) **Patent No.:** **US D865,429 S**

(45) **Date of Patent:** **** Nov. 5, 2019**

(54) **OVEN**

(71) Applicant: **SAMSUNG ELECTRONICS CO., LTD.**, Suwon-si, Gyeonggi-do (KR)

(72) Inventors: **Jaejun Kim**, Seoul (KR); **Jichang Kang**, Seoul (KR)

(73) Assignee: **SAMSUNG ELECTRONICS CO., LTD.**, Gyeonggi-Do (KR)

(**) Term: **15 Years**

(21) Appl. No.: **29/633,626**

(22) Filed: **Jan. 15, 2018**

(30) **Foreign Application Priority Data**

Aug. 24, 2017 (KR) 30-2017-0039475

(51) **LOC (12) Cl.** **07-02**

(52) **U.S. Cl.**
USPC **D7/349**

(58) **Field of Classification Search**
USPC D7/323, 339, 340-349, 351, 352, 390,
D7/402-408; D21/523-524
CPC A21B 1/00; A21B 1/52; A21B 5/00; A47J
37/00; A47J 37/04; A47J 37/06; A47J
37/0623; F24C 1/00; F24C 3/00; F24C
3/002; F24C 3/008; F24C 5/00; F24C
7/00; F24C 7/002; F24C 7/043; F24C
7/062; F24C 11/00; F24C 15/02; F24C
15/04; F24C 15/10

See application file for complete search history.

(56) **References Cited**

U.S. PATENT DOCUMENTS

D424,862 S * 5/2000 Holbrook D7/349
D468,962 S * 1/2003 Jones D7/405
D524,095 S * 7/2006 Pino D7/349

D525,476 S * 7/2006 Bengtson D7/349
D527,948 S * 9/2006 Bengtson D7/349
D560,958 S * 2/2008 Shin D7/348
D612,209 S * 3/2010 Crookshanks D7/405
D612,682 S * 3/2010 Baker D7/405
D671,790 S * 12/2012 Busalt D7/349
D709,726 S * 7/2014 Borjesson D7/349
D710,646 S * 8/2014 Borjesson D7/349
D741,104 S * 10/2015 Funnell, II D7/348
D754,476 S * 4/2016 Crookshanks D7/405
D814,231 S * 4/2018 Kim D7/349

(Continued)

FOREIGN PATENT DOCUMENTS

CN 301488669 S 3/2011
KR 300629248 S 1/2012

(Continued)

Primary Examiner — Barbara Fox

Assistant Examiner — Messina L Smith

(74) *Attorney, Agent, or Firm* — Cantor Colburn LLP

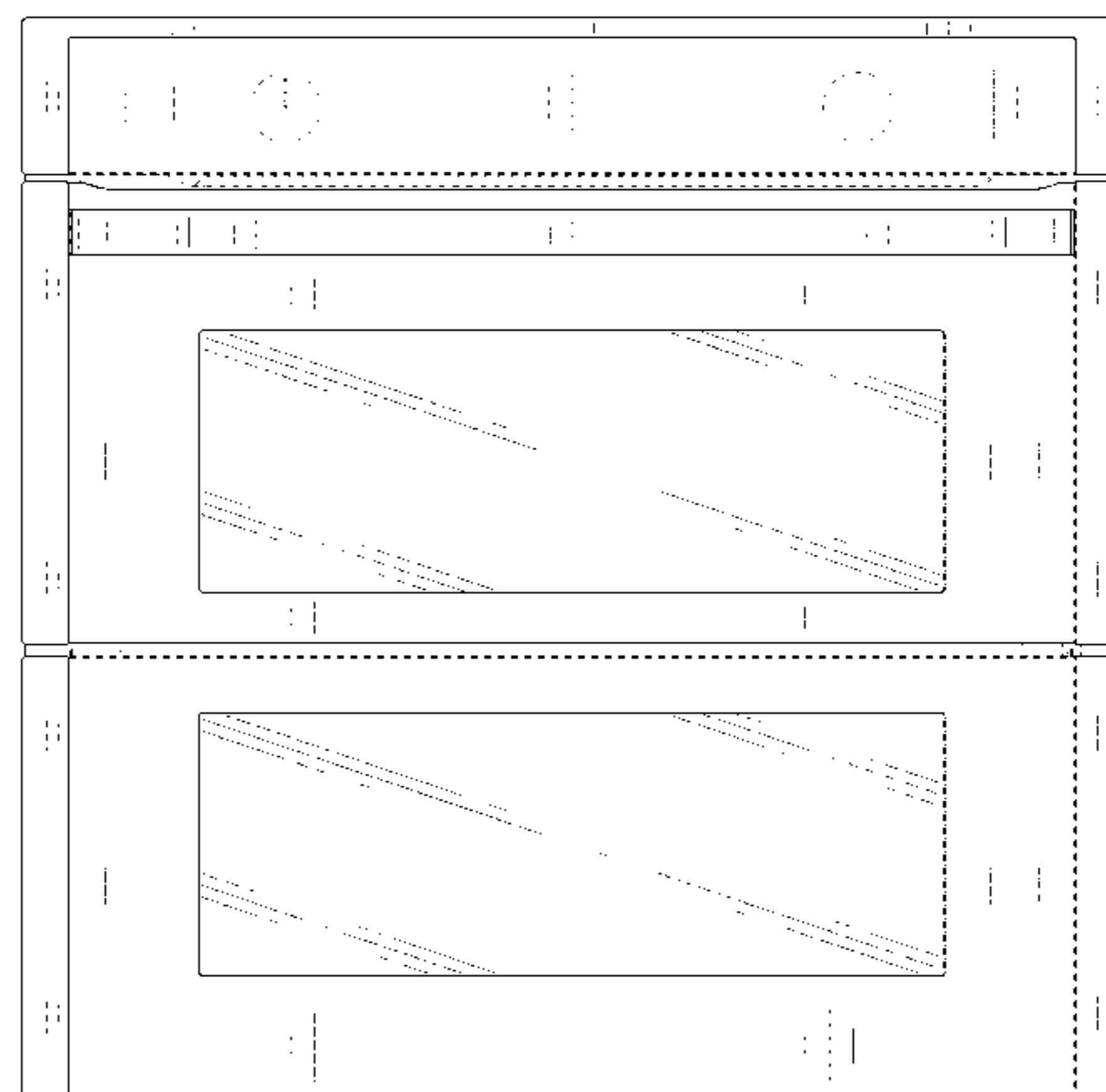
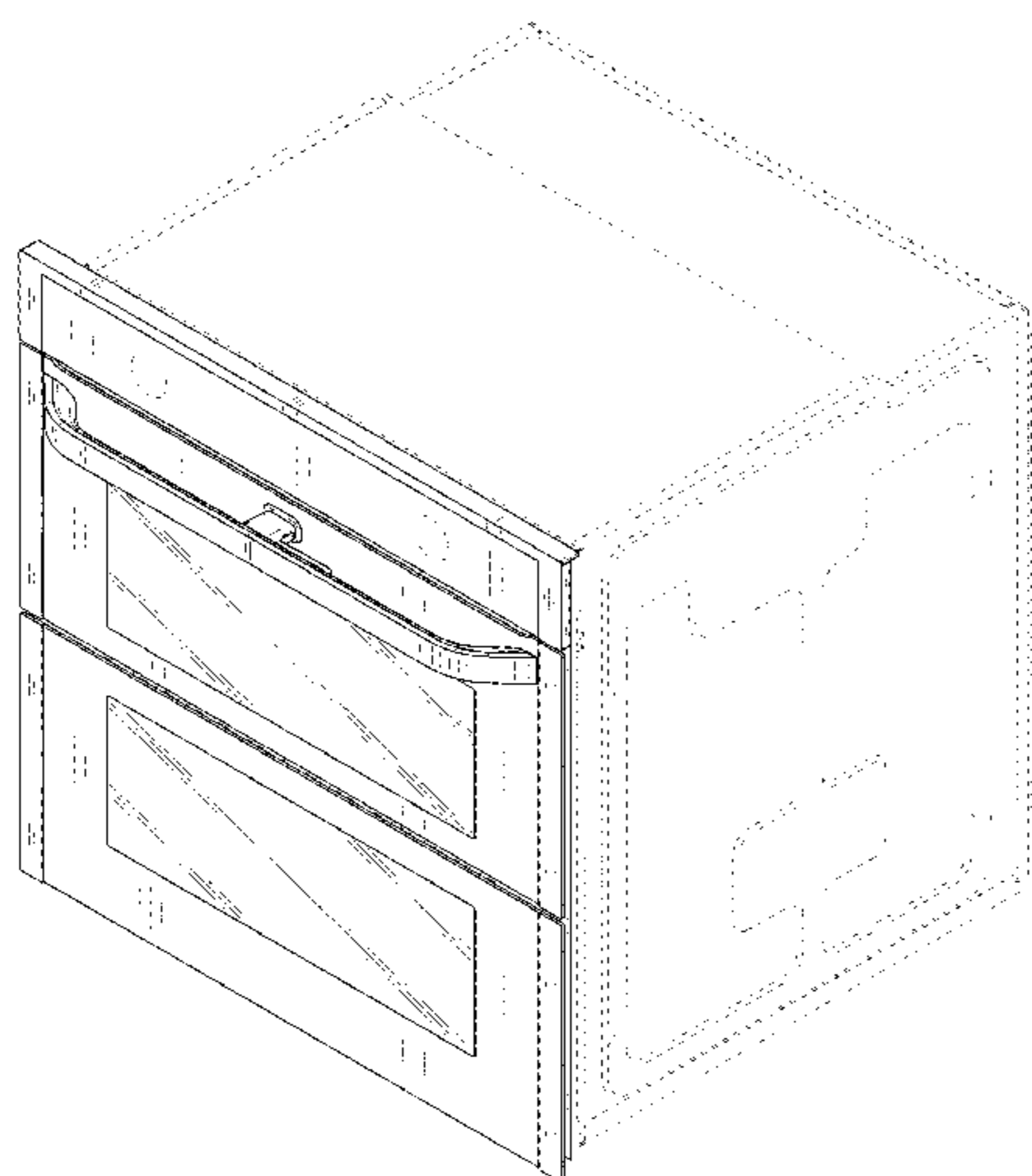
(57) **CLAIM**

The ornamental design for an oven, as shown and described.

DESCRIPTION

FIG. 1 is a front perspective view of an oven showing our new design;
FIG. 2 is a front view thereof;
FIG. 3 is a rear view thereof;
FIG. 4 is a left-side view thereof;
FIG. 5 is a right-side view thereof;
FIG. 6 is a top view thereof;
FIG. 7 is a bottom view thereof;
FIG. 8 is a front perspective view thereof, shown in an alternate open position; and,
FIG. 9 is a front perspective view thereof, shown in a second alternate open position.
The broken lines illustrating portions of the oven form no part of the claimed design.

1 Claim, 9 Drawing Sheets



(56)

References Cited

U.S. PATENT DOCUMENTS

D817,067 S * 5/2018 Shoemaker D7/349
D817,705 S * 5/2018 Kim D7/405
D821,799 S * 7/2018 Kim D7/340
D821,813 S * 7/2018 Kim D7/405
D829,484 S * 10/2018 Kim D7/348
D838,133 S * 1/2019 Fuller D7/339
D840,184 S * 2/2019 Kim D7/349
D840,185 S * 2/2019 Kim D7/349
2010/0140247 A1* 6/2010 Watkins F24C 7/00
219/391
2012/0031389 A1* 2/2012 McMaster F24C 15/04
126/200

FOREIGN PATENT DOCUMENTS

KR 300777513 S 12/2014
KR 300858966 S 6/2016

* cited by examiner

FIG. 1

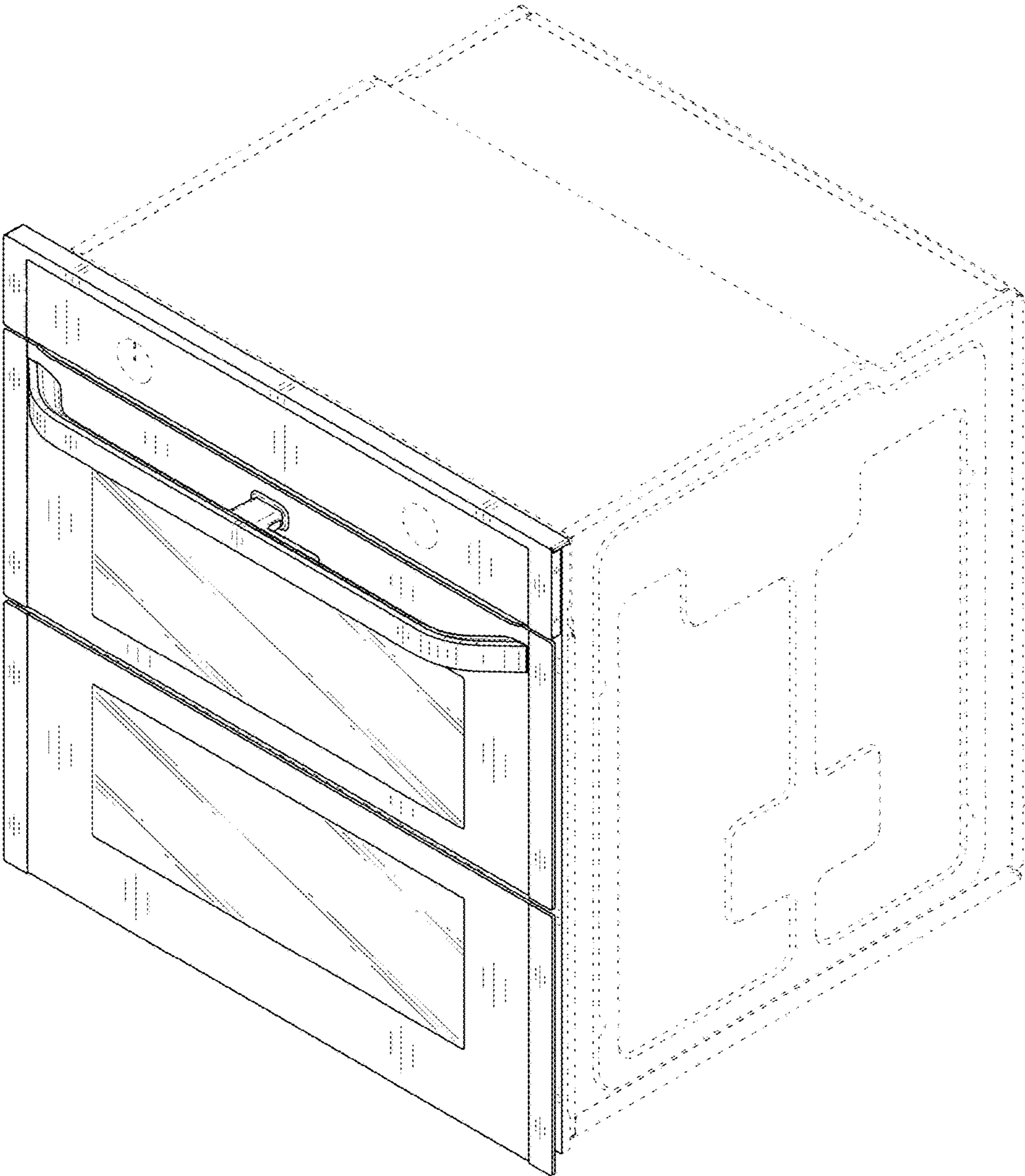


FIG. 2

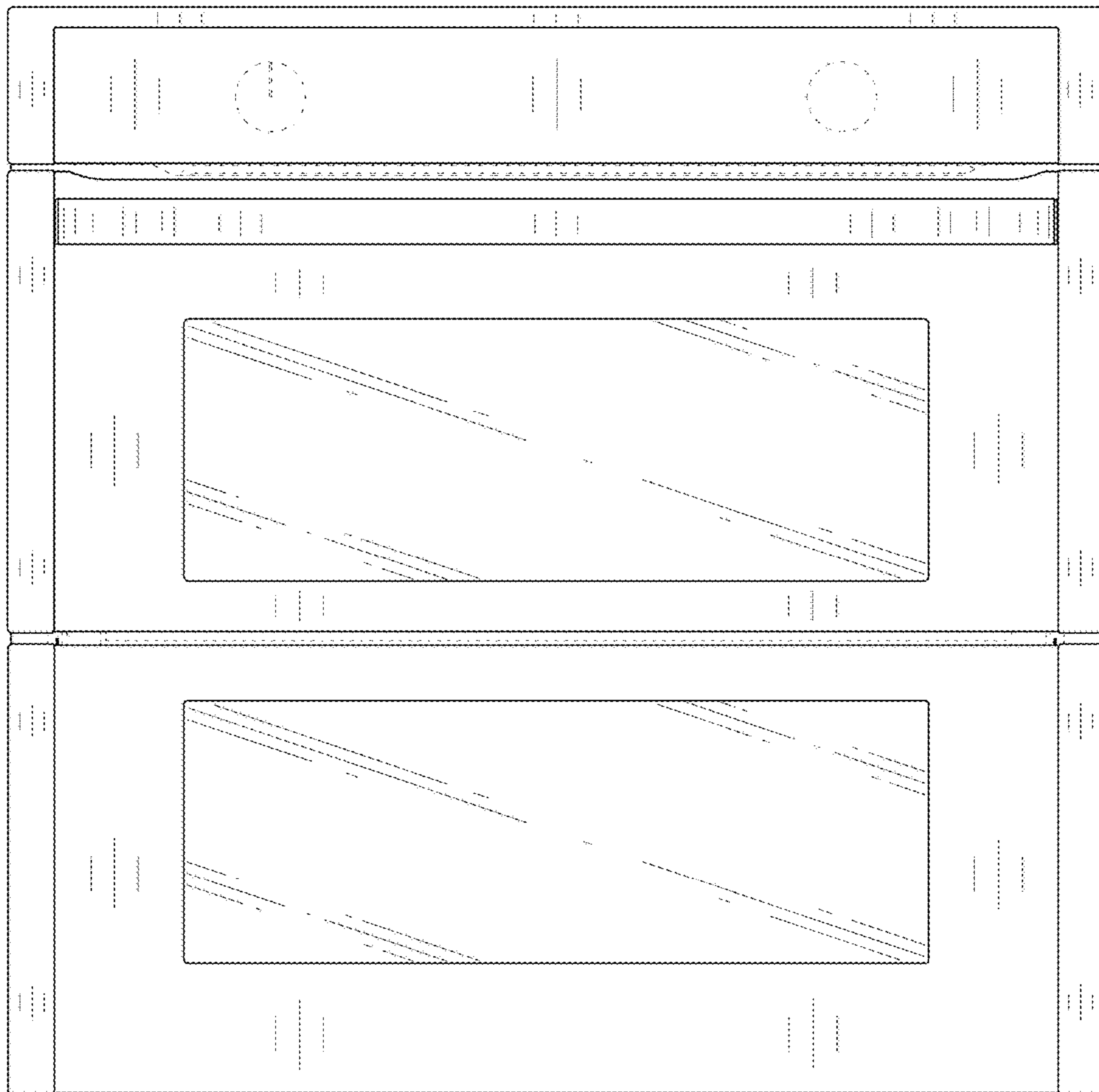


FIG. 3

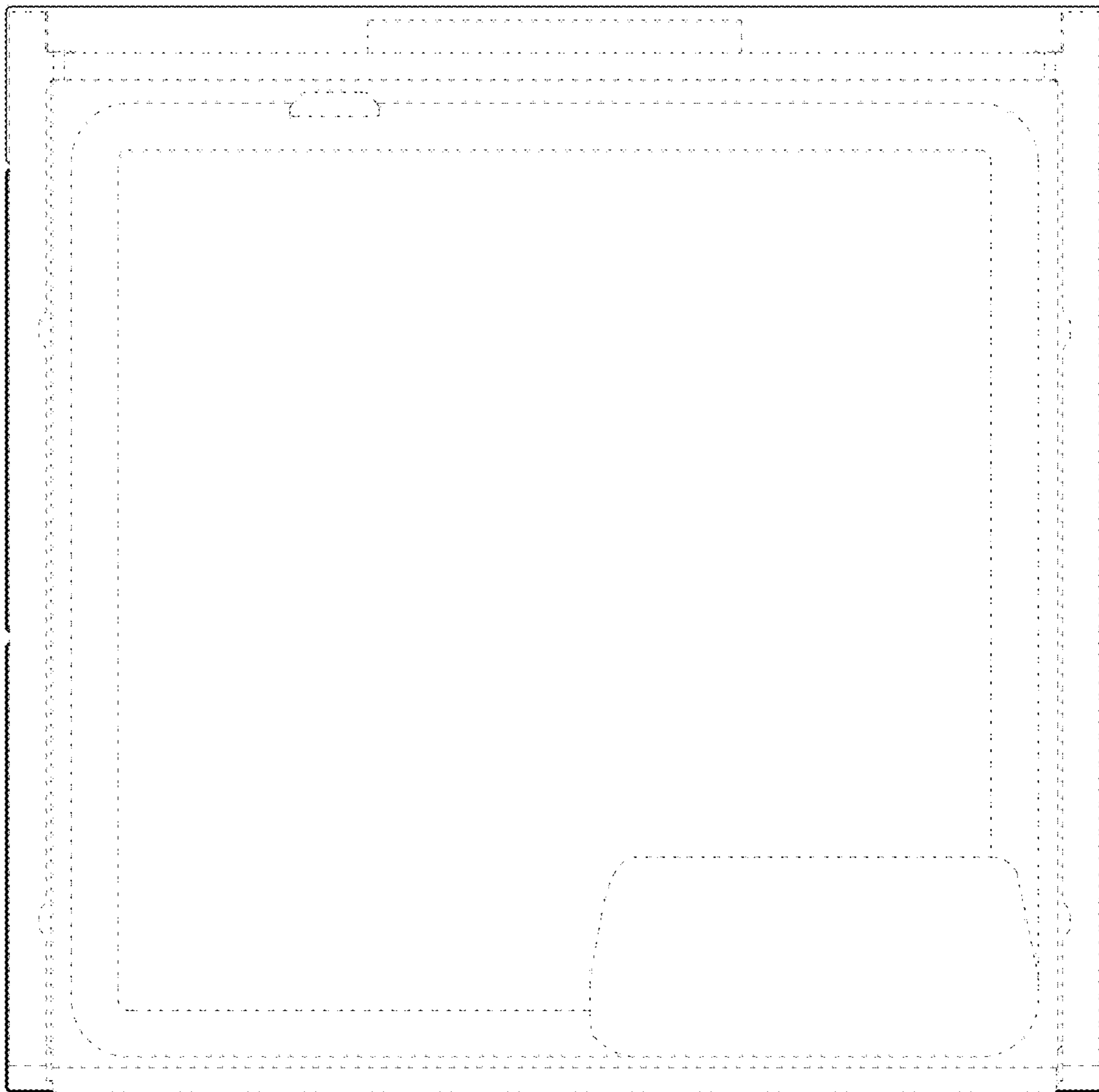


FIG. 4

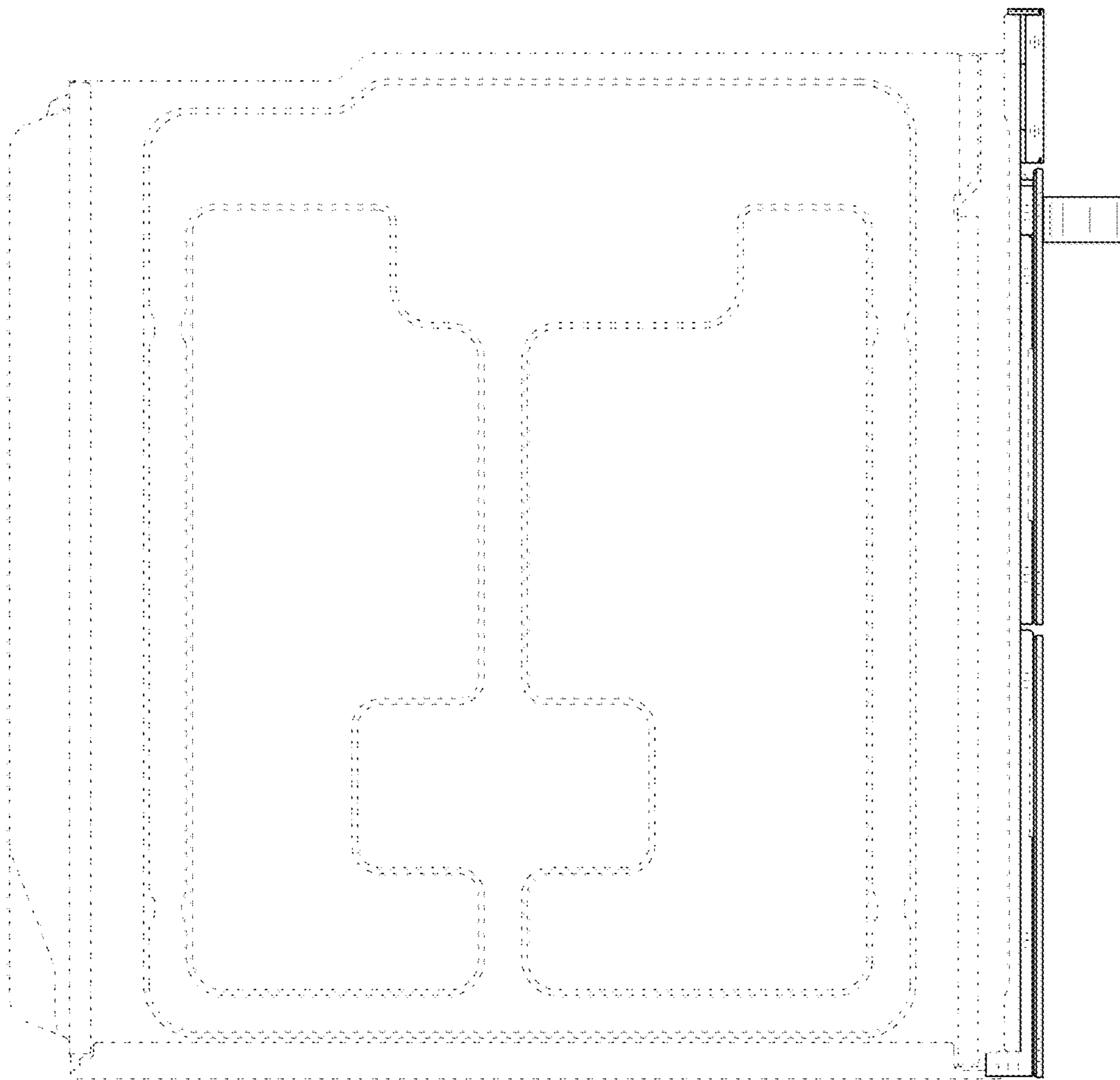


FIG. 5

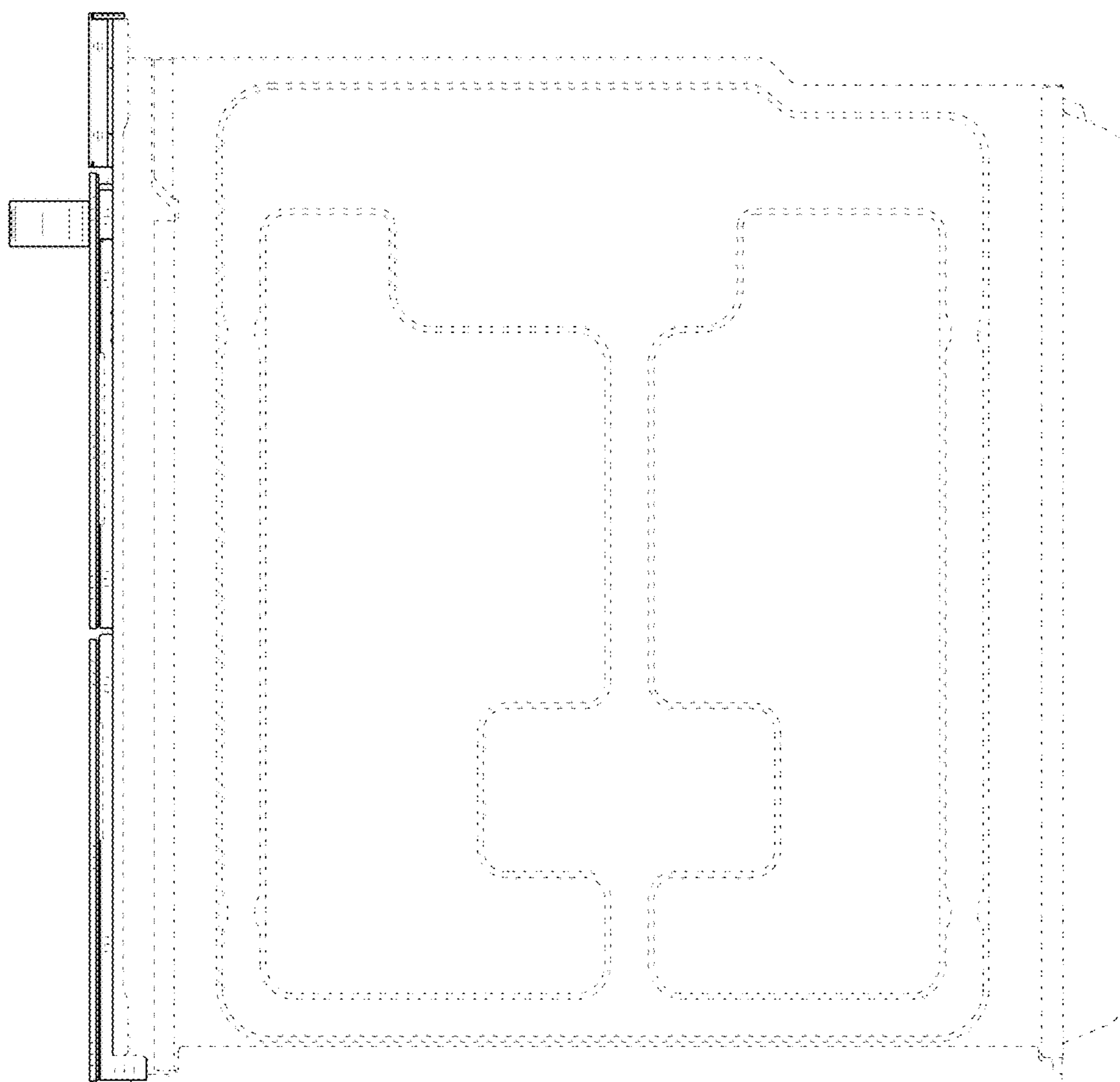


FIG. 6

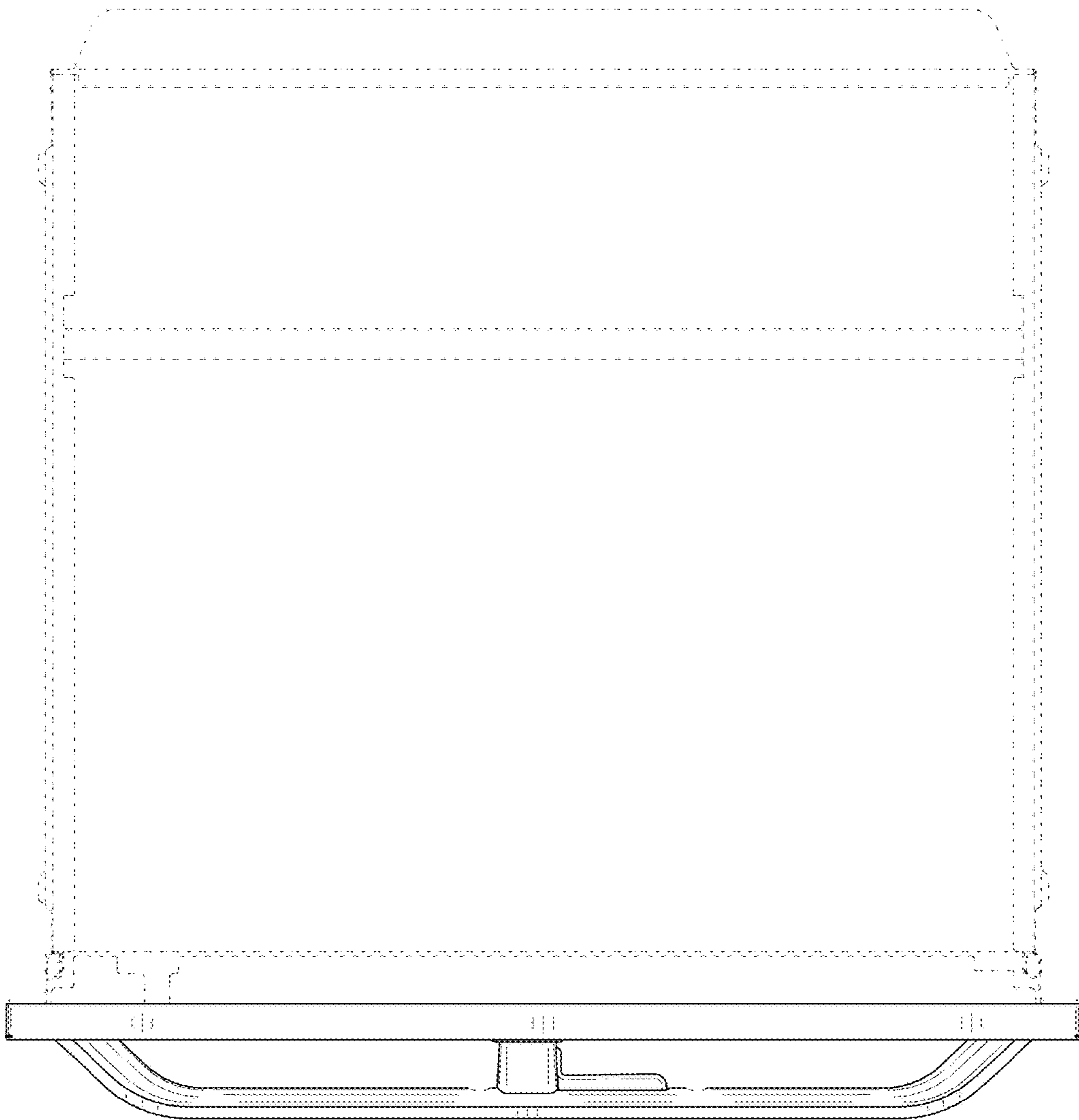


FIG. 7

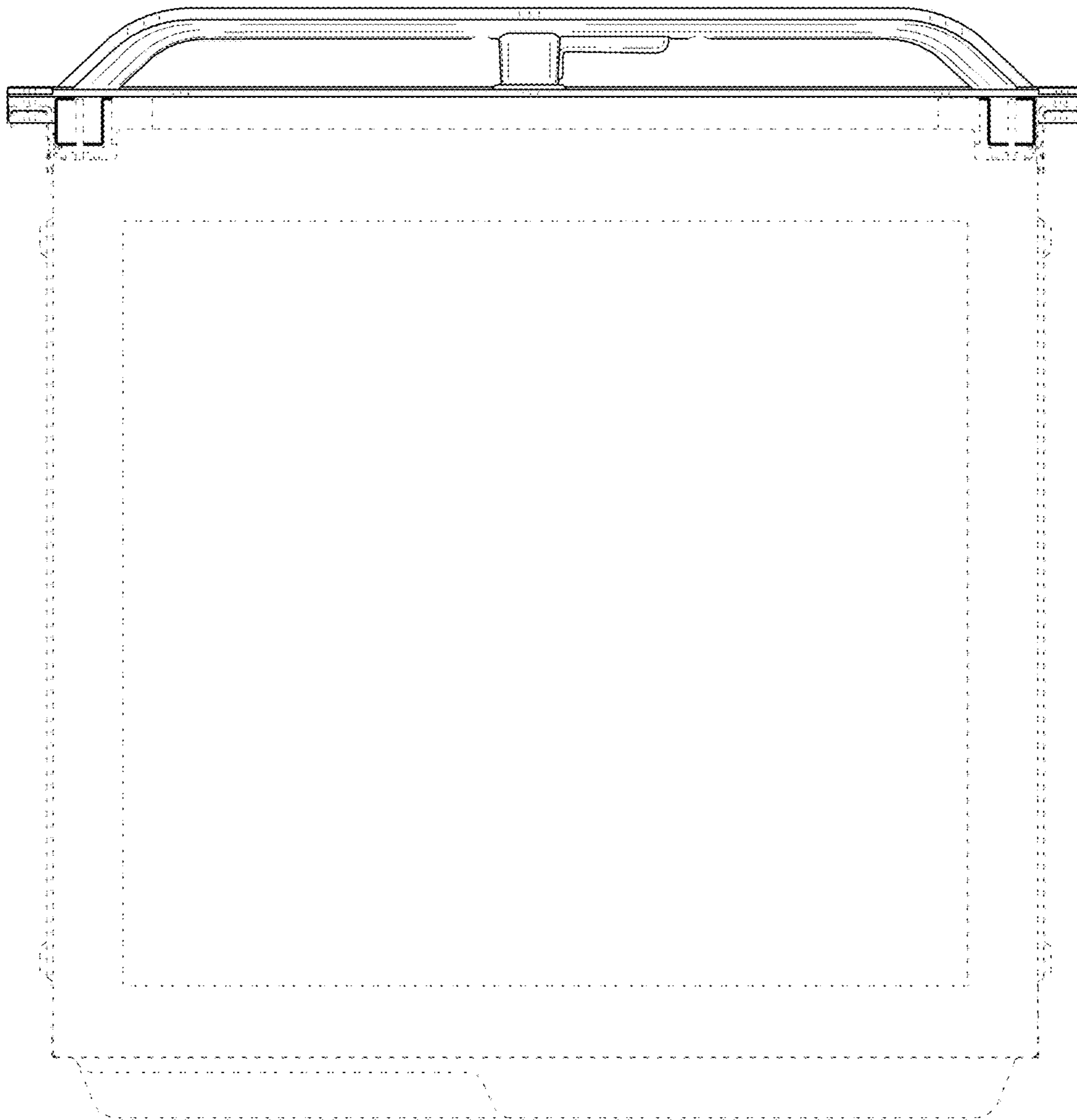


FIG. 8

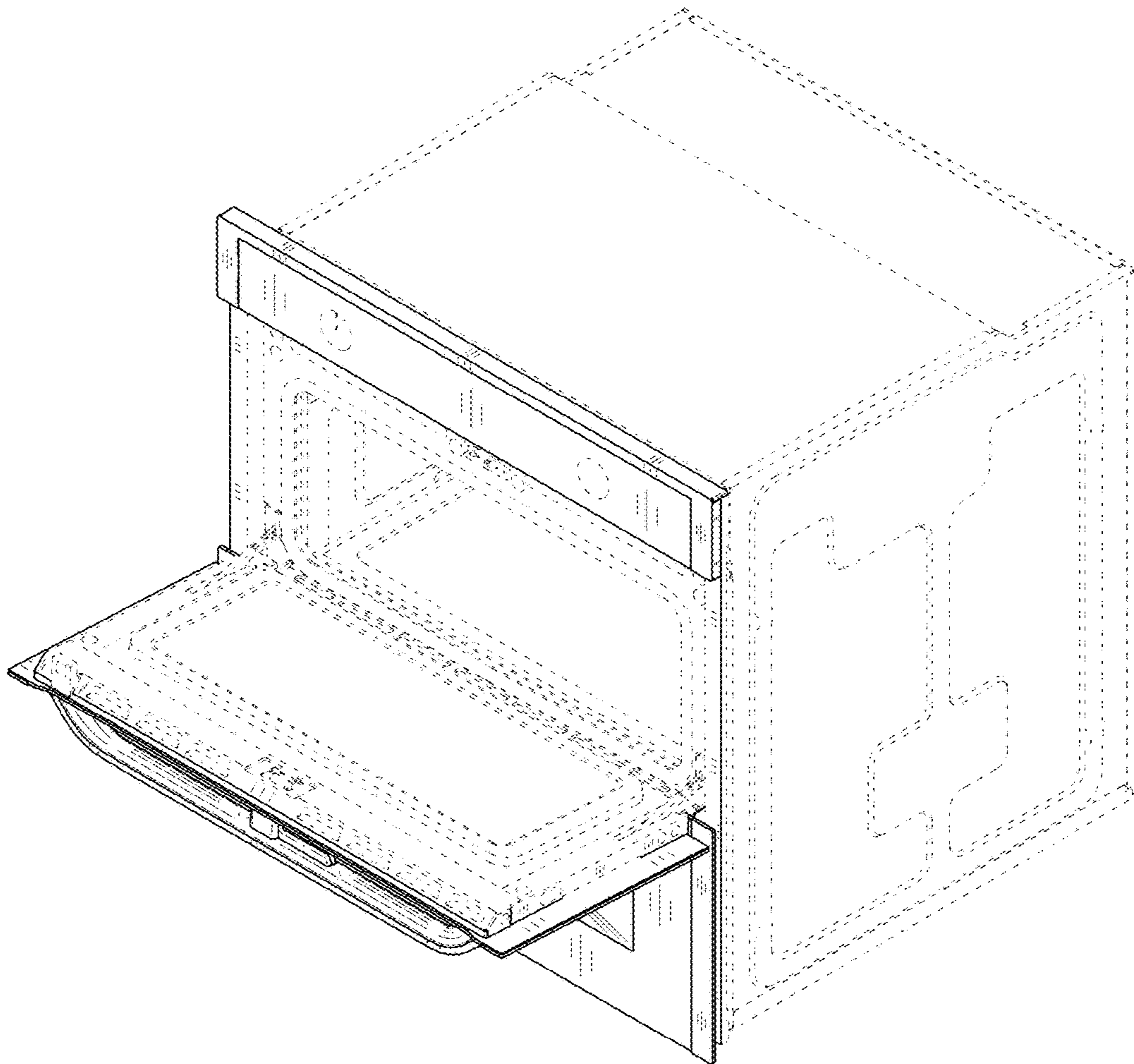


FIG. 9

