



US00D865428S

(12) **United States Design Patent** (10) **Patent No.:** **US D865,428 S**
Cometti (45) **Date of Patent:** **** Nov. 5, 2019**

(54) **COFFEE MACHINE**
(71) Applicant: **Gruppo Cimbali S.p.A.**, Binasco (IT)
(72) Inventor: **Valerio Cometti**, Milan (IT)
(73) Assignee: **Gruppo Cimbali S.p.A.**, Binasco (MI)
(IT)
(**) Term: **15 Years**
(21) Appl. No.: **29/607,657**
(22) Filed: **Jun. 15, 2017**

(30) **Foreign Application Priority Data**
Mar. 23, 2017 (EM) 003819671
(51) **LOC (12) Cl.** **07-01**
(52) **U.S. Cl.**
USPC **D7/309; D7/311**
(58) **Field of Classification Search**
USPC D7/305-311, 313; D15/82; 222/129.1,
222/146.6; 99/295
CPC A47J 31/44; A47J 31/4403; A47J 31/46;
A47J 31/4489; A47J 31/369; A47J
31/407; A47J 31/10; A47J 31/467; A47J
31/0615; B67D 1/36; B67D 2210/0065;
B67D 1/0864; B67D 3/0061
See application file for complete search history.

(56) **References Cited**
U.S. PATENT DOCUMENTS
D313,724 S * 1/1991 Pinon D7/308
D395,975 S * 7/1998 Munoz D7/308
D417,580 S * 12/1999 Fusi D7/309
D439,788 S * 4/2001 Bettini D7/309

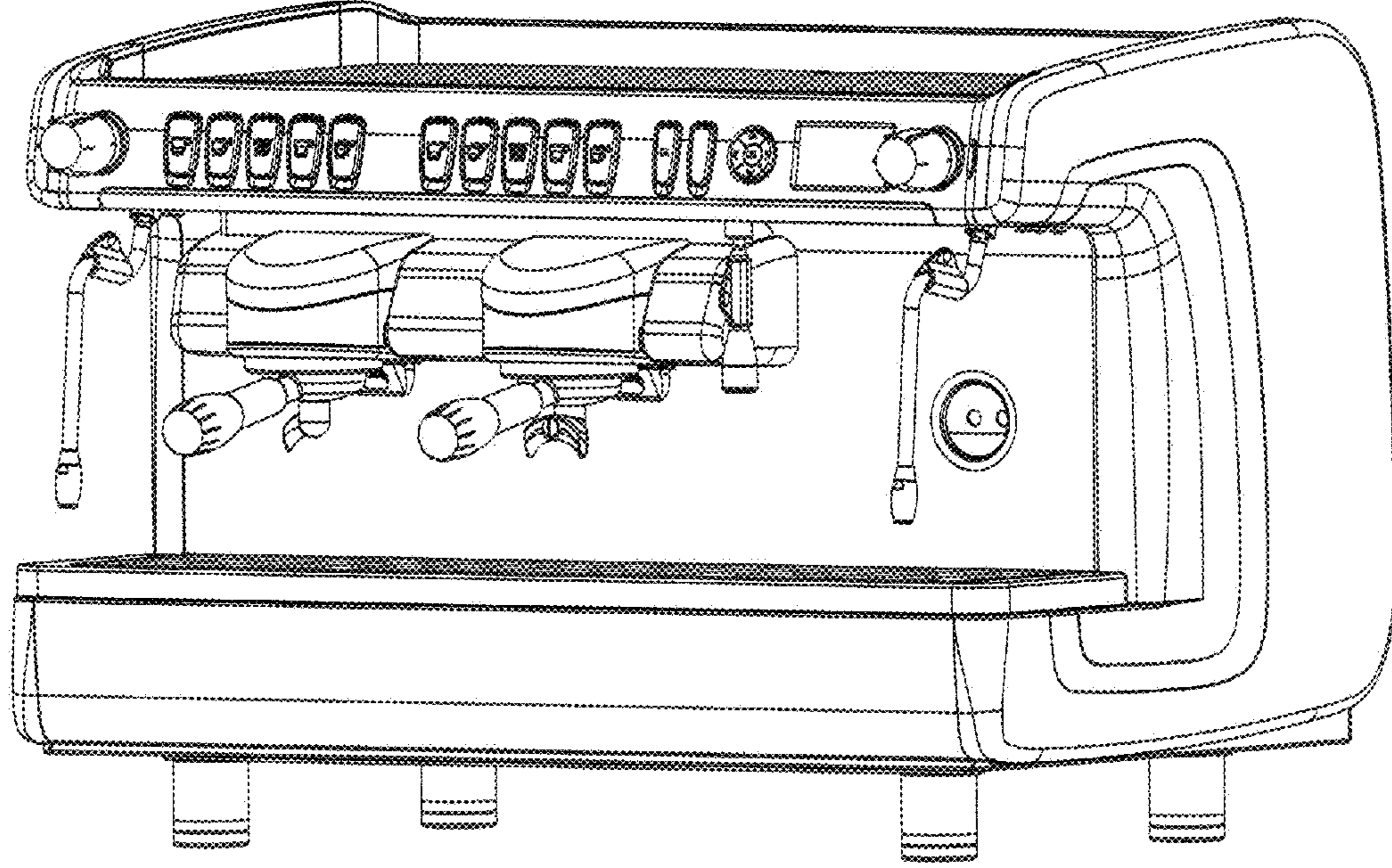
D476,842 S * 7/2003 Cortese D7/308
D497,510 S * 10/2004 Comorera Ivanov D7/307
D550,498 S * 9/2007 Vicente Seguer D7/309
D551,487 S * 9/2007 Beretta D7/307
D573,393 S * 7/2008 Trazzi D7/309
D589,739 S * 4/2009 Giugiaro D7/308
D592,003 S * 5/2009 Giugiaro D7/308
D640,083 S * 6/2011 Davenport D7/309
D672,998 S * 12/2012 Bonetto D7/308
D695,052 S * 12/2013 Ottavi D7/309
D758,778 S * 6/2016 Bonetto D7/306
D812,405 S * 3/2018 Guelfo D7/309
2009/0205502 A1 * 8/2009 Carbonini A47J 31/52
99/280
2017/0332828 A1 * 11/2017 Nocera A47J 31/46

* cited by examiner
Primary Examiner — Marianne N Pandozzi
(74) *Attorney, Agent, or Firm* — Seed IP Law Group LLP

(57) **CLAIM**
The ornamental design for a coffee machine, substantially as shown and described.

DESCRIPTION
FIG. 1 is a front perspective view of a coffee machine, showing my new design.
FIG. 2 is a front elevational view thereof.
FIG. 3 is a right side elevational view thereof.
FIG. 4 is a rear elevational view thereof.
FIG. 5 is a left side elevational view thereof.
FIG. 6 is a top plan view thereof.
FIG. 7 is a top perspective view thereof; and,
FIG. 8 is a bottom plan view thereof.
The broken lines in the drawings depict portions of the coffee machine that form no part of the claimed design.

1 Claim, 8 Drawing Sheets



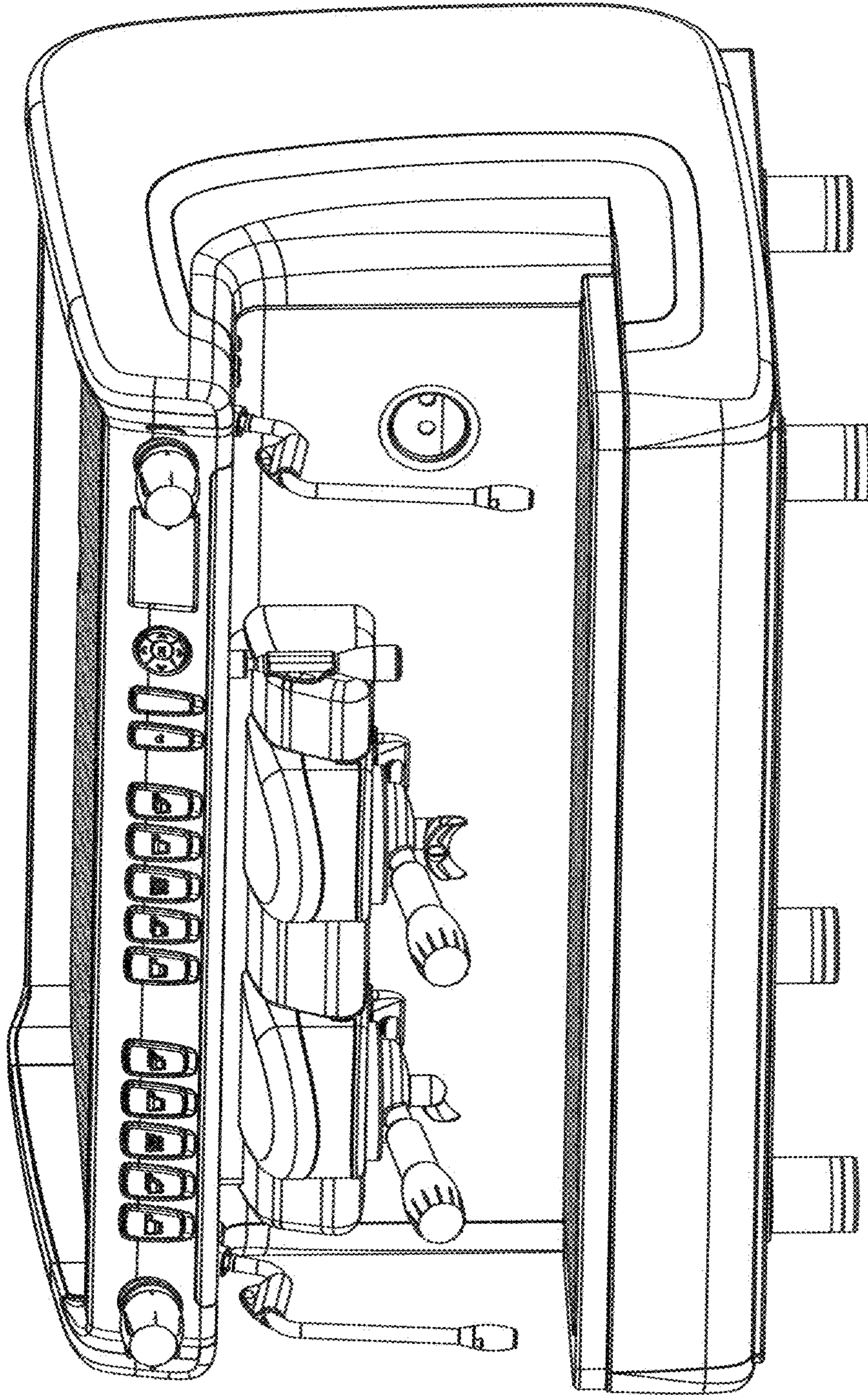


FIG. 1

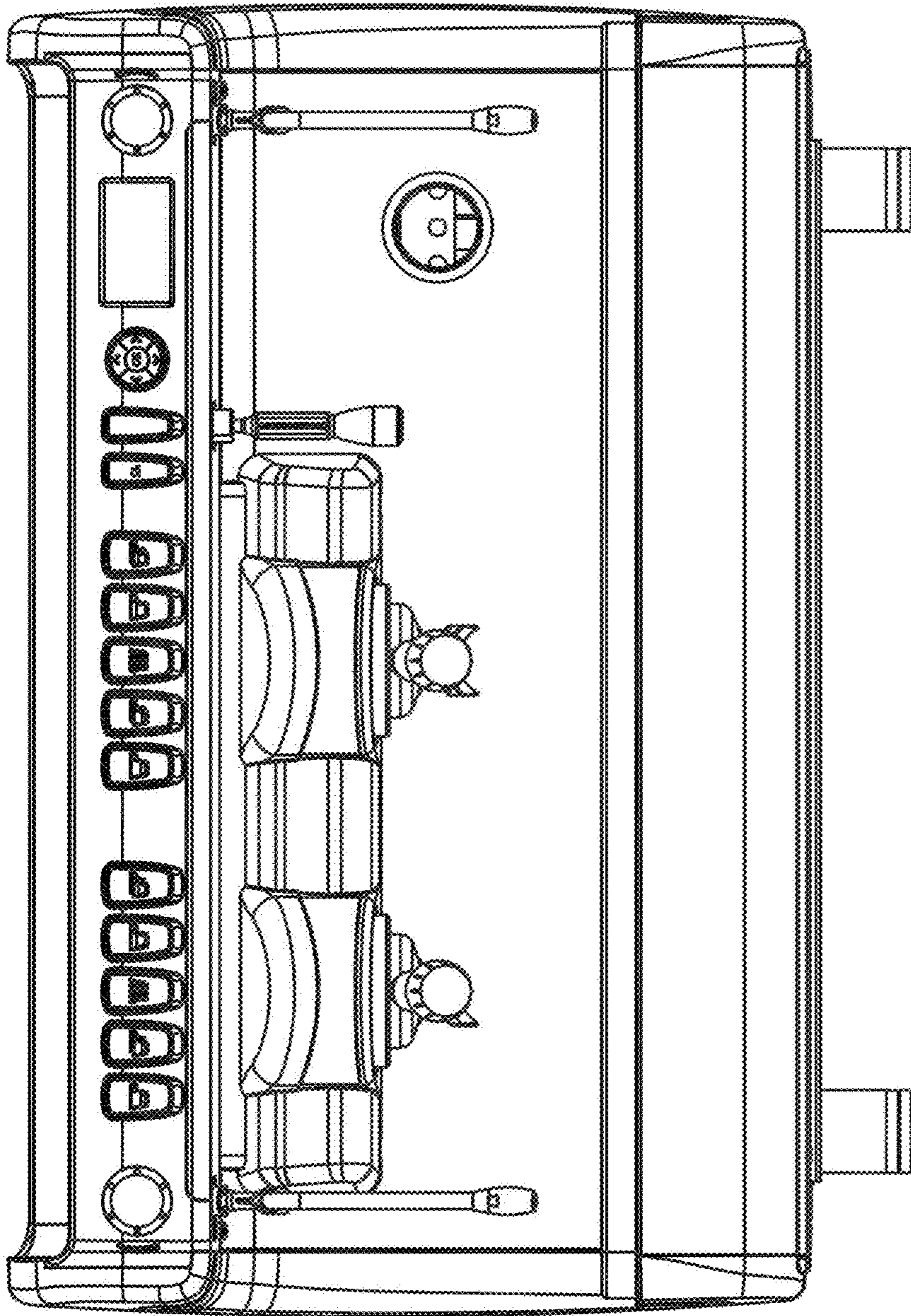


FIG. 2

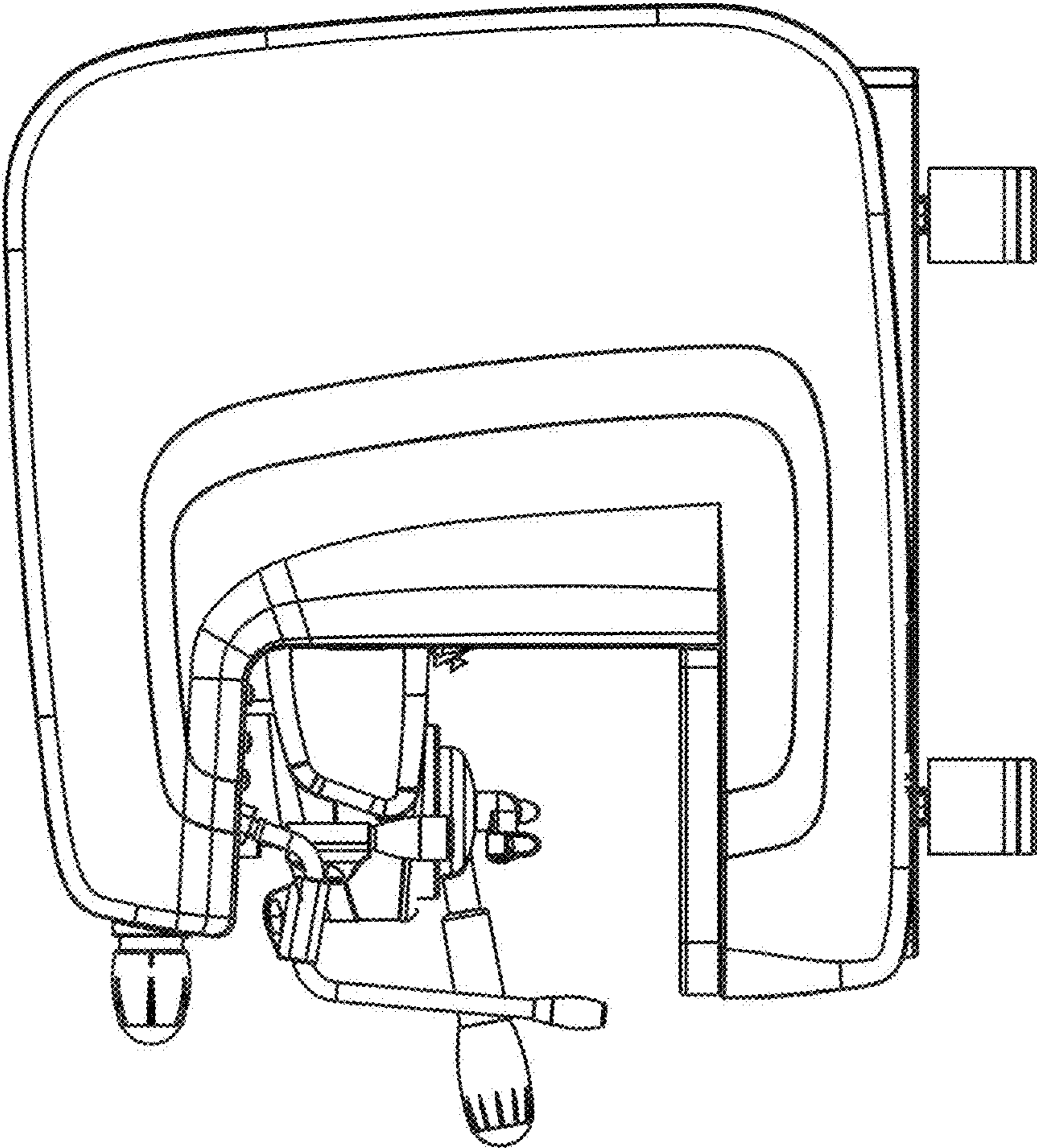


FIG. 3

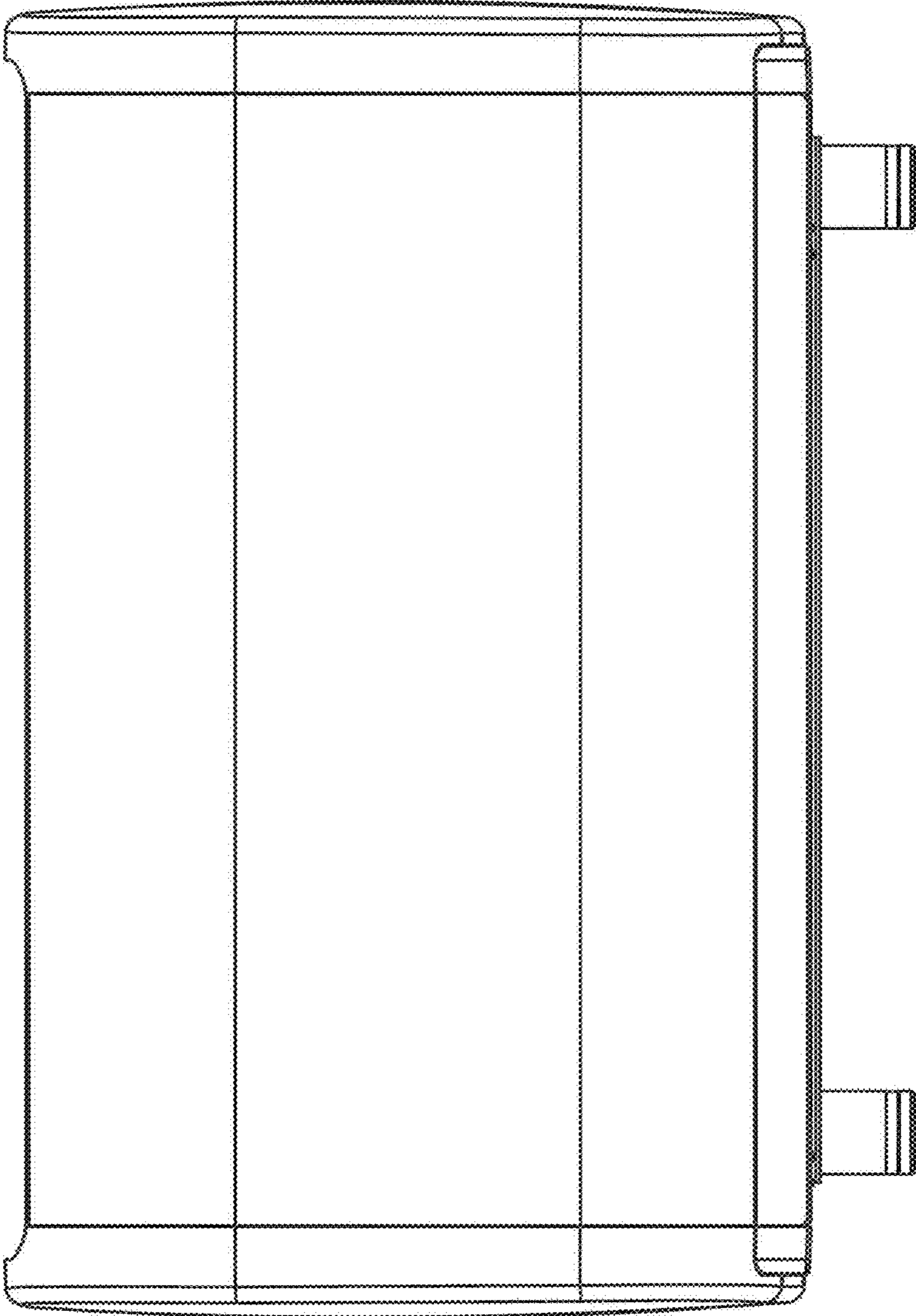


FIG. 4

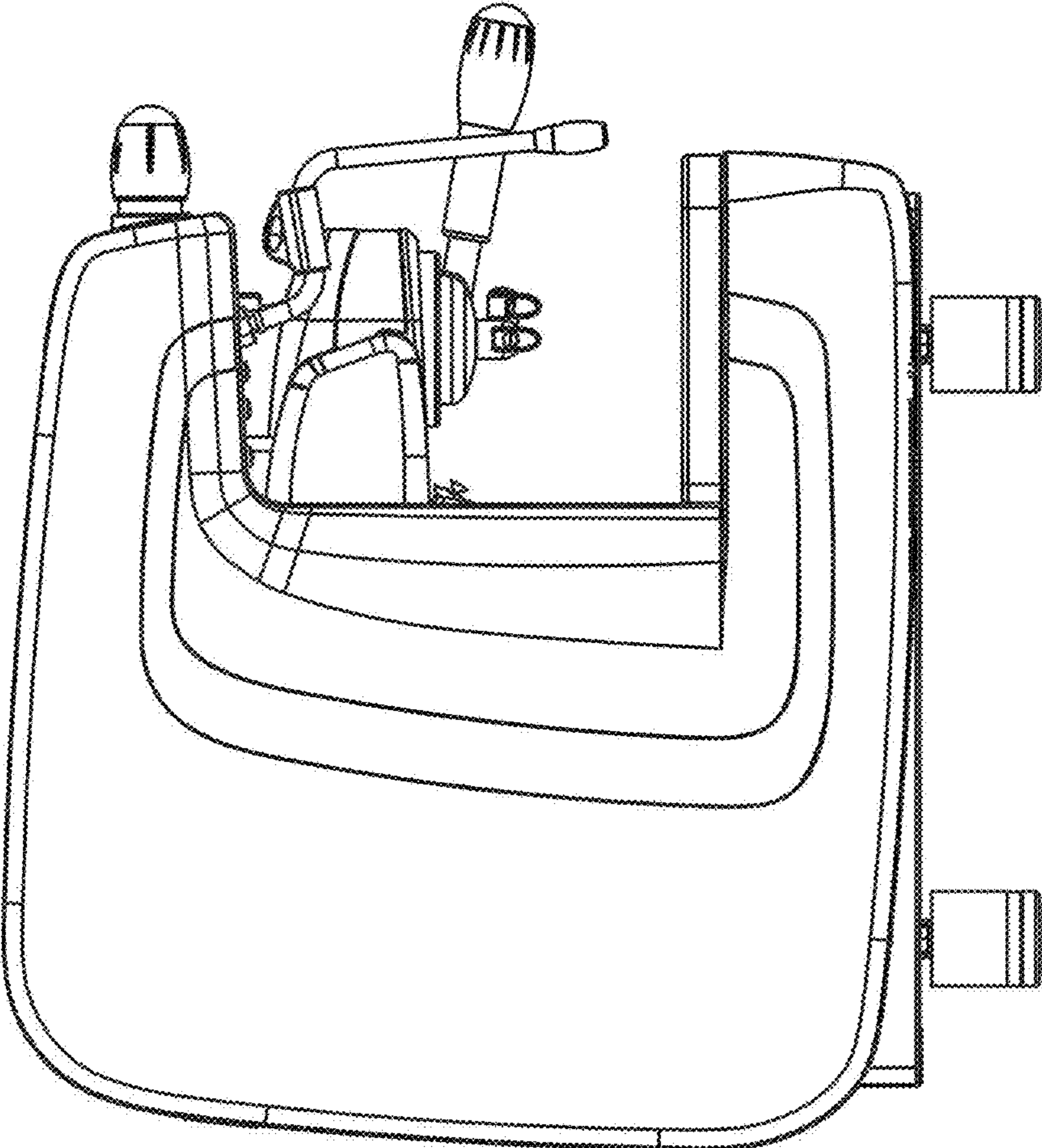


FIG. 5

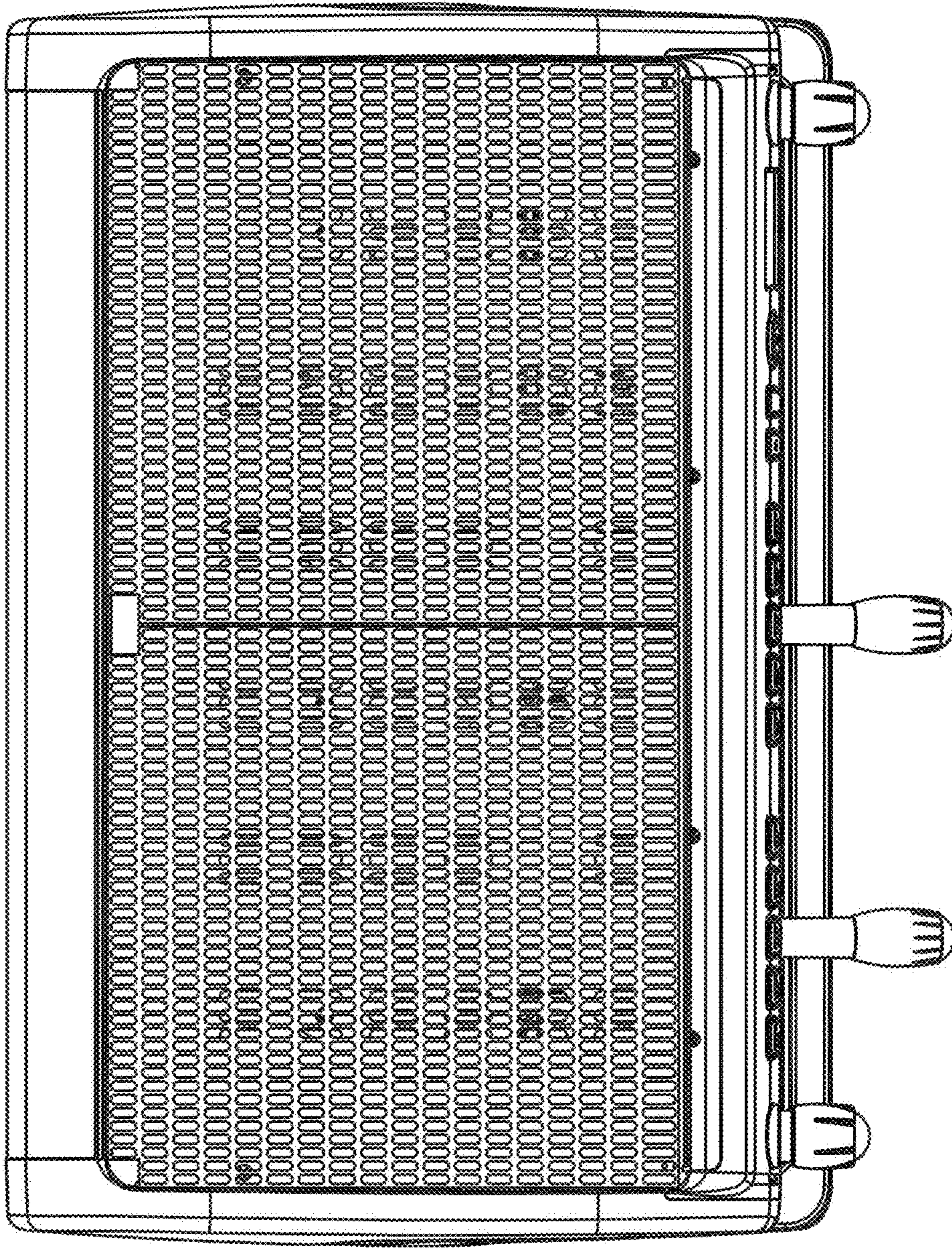


FIG. 6

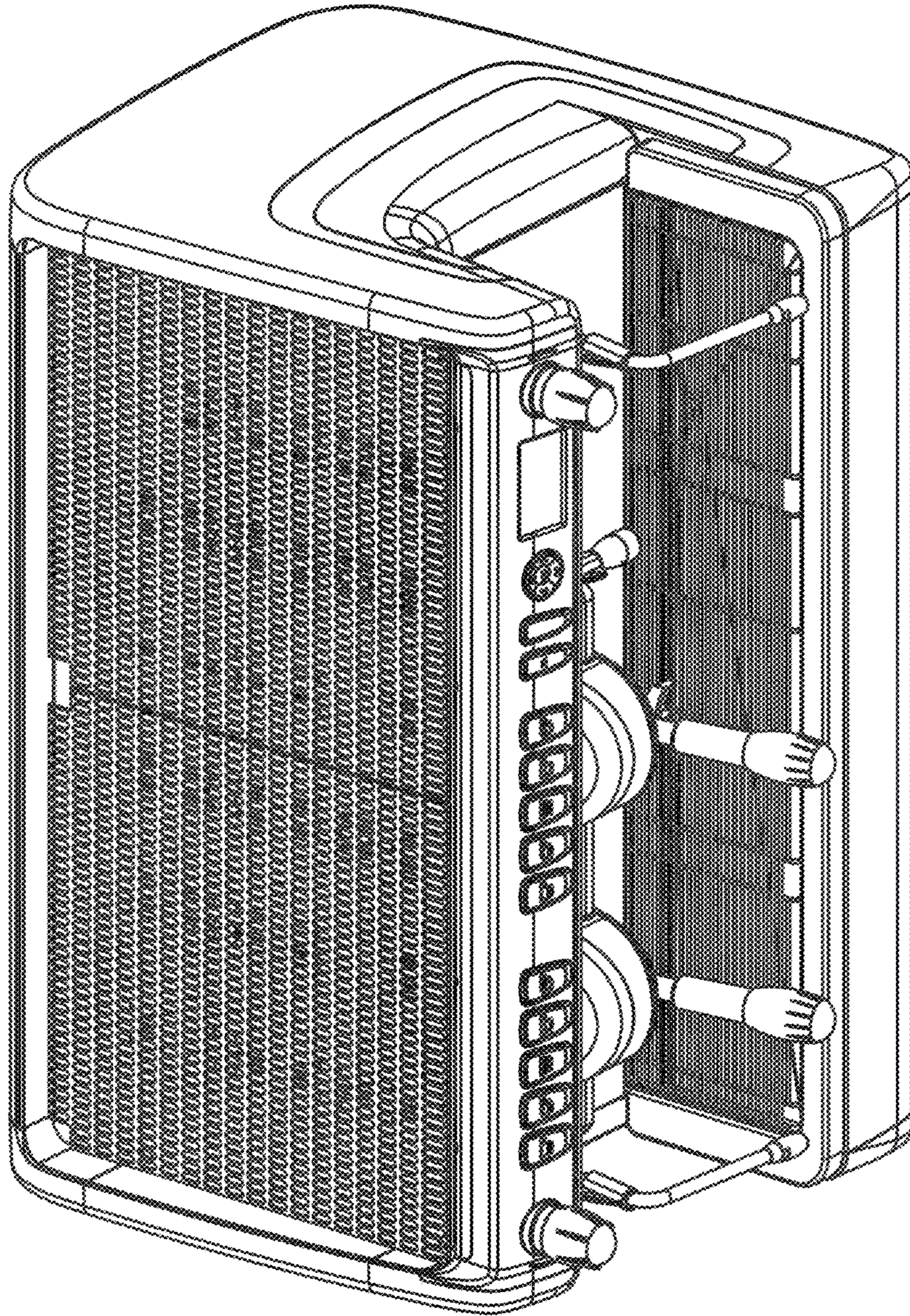


FIG. 7

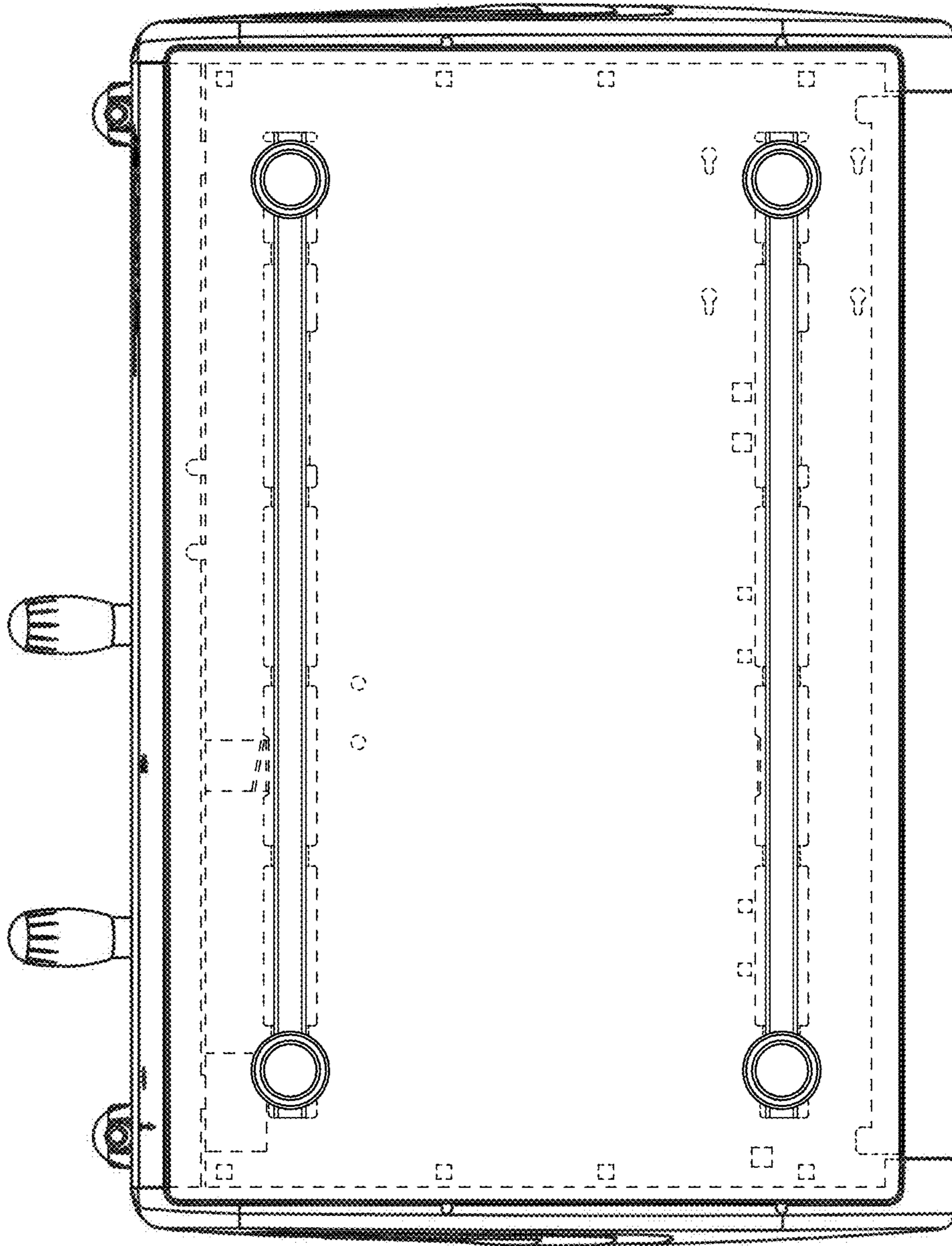


FIG. 8