

US00D865425S

(12) **United States Design Patent**
Snowden

(10) **Patent No.:** **US D865,425 S**

(45) **Date of Patent:** **** Nov. 5, 2019**

(54) **CHAIR**

(71) Applicant: **Thomas Ray Snowden**, Vancouver, WA
(US)

(72) Inventor: **Thomas Ray Snowden**, Vancouver, WA
(US)

(**) Term: **15 Years**

(21) Appl. No.: **29/638,180**

(22) Filed: **Feb. 25, 2018**

(51) **LOC (12) Cl.** **06-01**

(52) **U.S. Cl.**
USPC **D6/717; D6/370; D6/379**

(58) **Field of Classification Search**
USPC D6/334–336, 370, 371–373, 374, 376,
D6/379, 380, 381, 716, 716.1, 716.2,
D6/716.3, 716.4, 717
CPC A47C 4/02; A47C 4/03; A47C 4/08; A47C
4/024; A47C 4/025; A47C 7/16; A47C
7/54

See application file for complete search history.

(56) **References Cited**

U.S. PATENT DOCUMENTS

D423,243 S * 4/2000 Massie D6/370
D575,072 S * 8/2008 Lowsky D6/379

D660,038 S * 5/2012 Hoyord D6/370
D710,139 S * 8/2014 Skalka D6/717
D713,163 S * 9/2014 Pedersen D6/370
D745,288 S * 12/2015 Perse D6/370
D761,032 S * 7/2016 Asner D6/370
D781,611 S * 3/2017 Westfall D6/379
D841,353 S * 2/2019 Bernardi D6/379
D848,172 S * 5/2019 Tham D6/370

* cited by examiner

Primary Examiner — Mimoso De

(74) *Attorney, Agent, or Firm* — Mark E. Beatty;
Rylander & Associates PC

(57) **CLAIM**

The ornamental design for a chair, as shown and described.

DESCRIPTION

FIG. 1 shows a front perspective view of an embodiment of an ornamental design for a chair.

FIG. 2 shows a rear perspective view thereof.

FIG. 3 shows a front elevational view thereof.

FIG. 4 shows a rear elevational view thereof.

FIG. 5 shows a left side elevational view thereof.

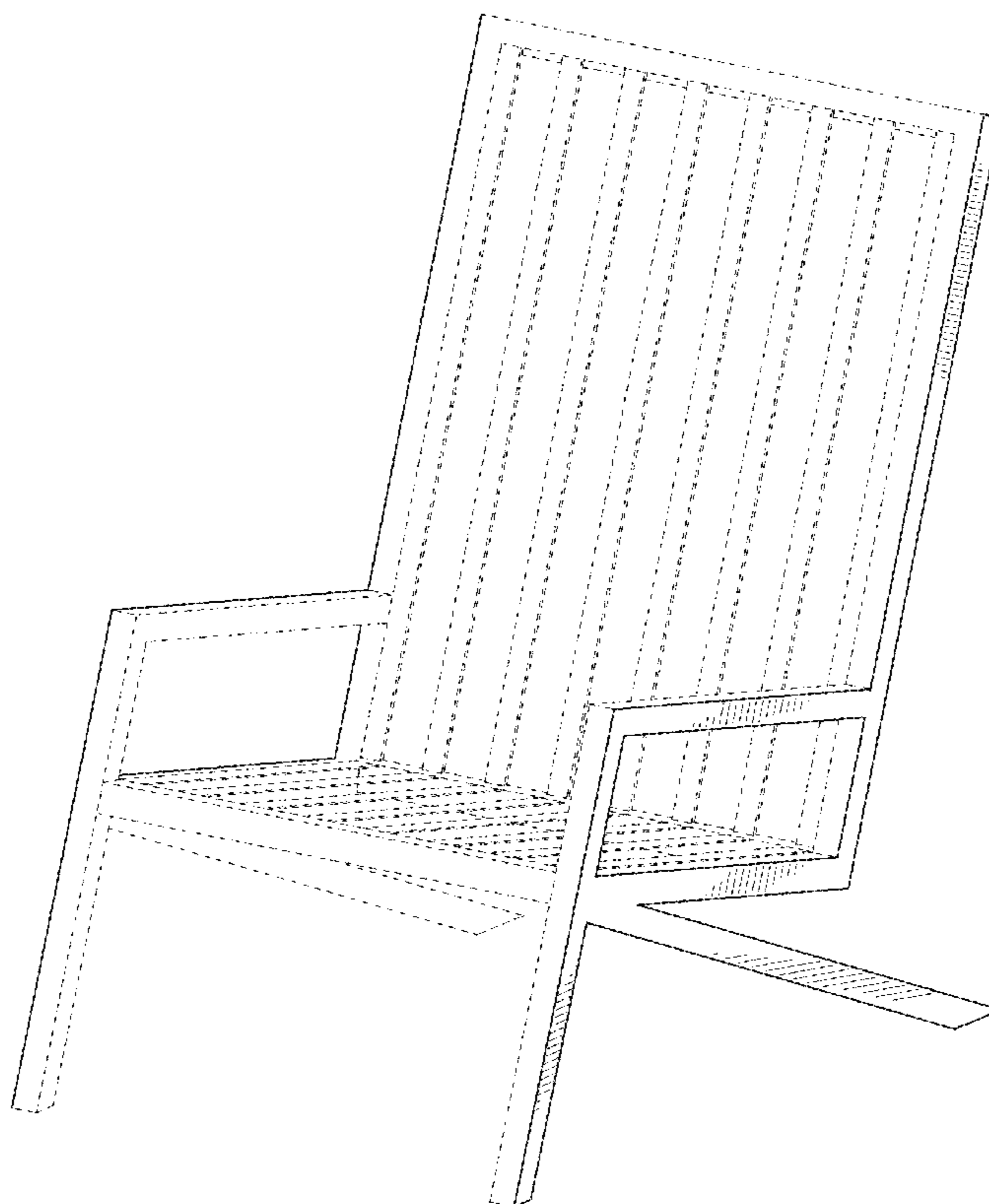
FIG. 6 shows a right side elevational view thereof.

FIG. 7 shows a top plan view thereof; and,

FIG. 8 shows a bottom plan view thereof.

Broken lines are for illustrative purposes, and do not form part of the claimed design.

1 Claim, 8 Drawing Sheets



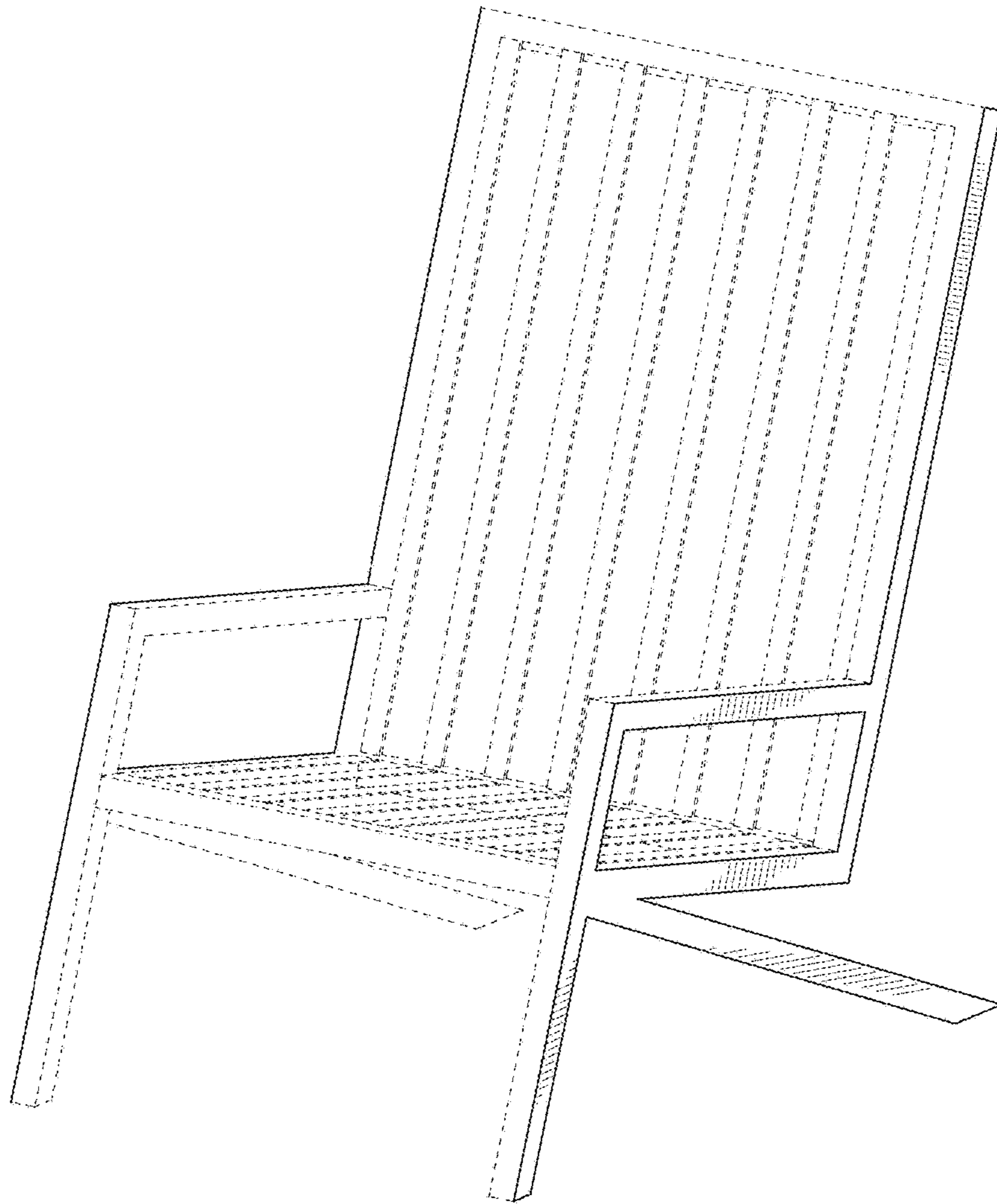


FIG. 1

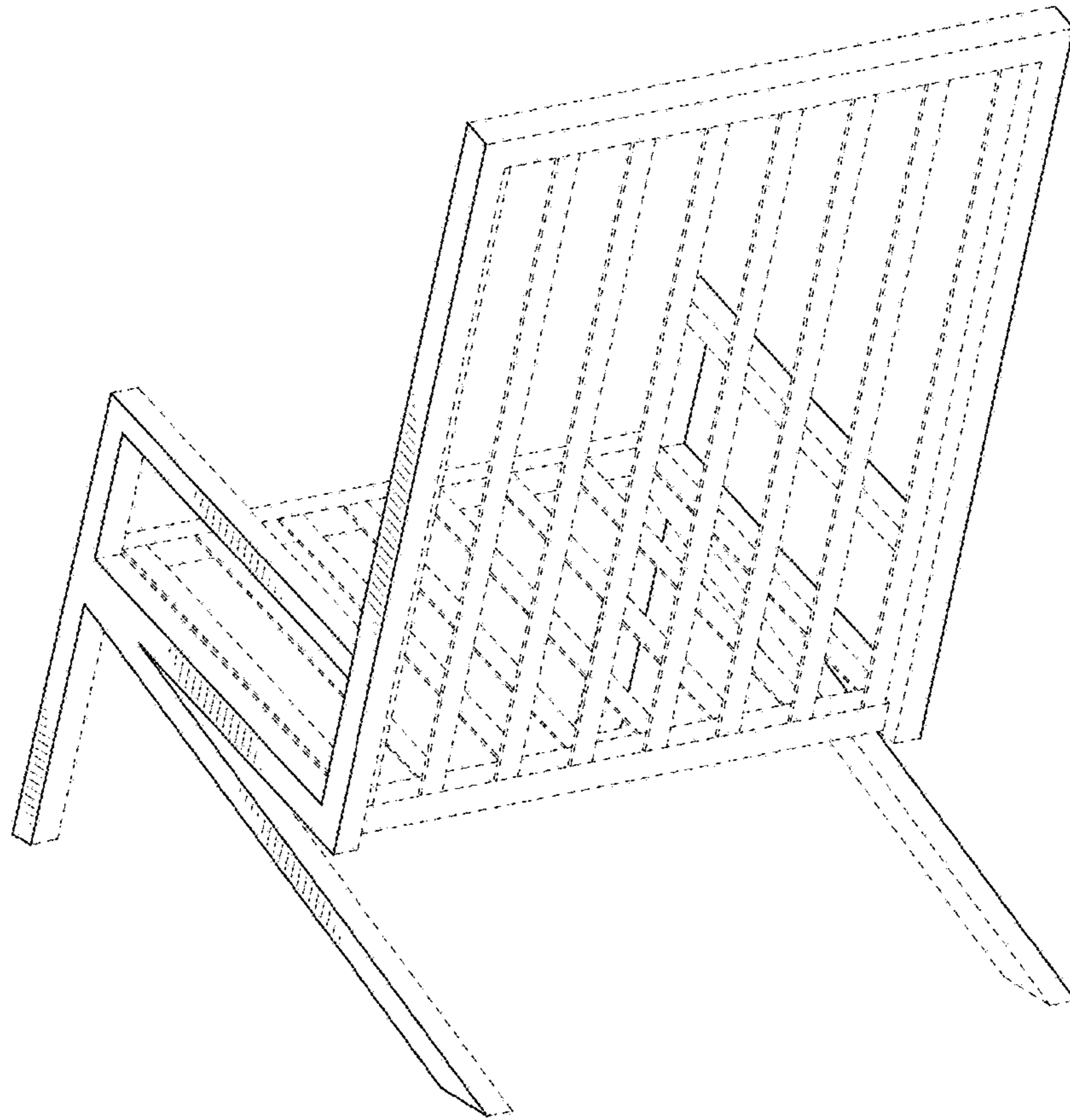


FIG.2

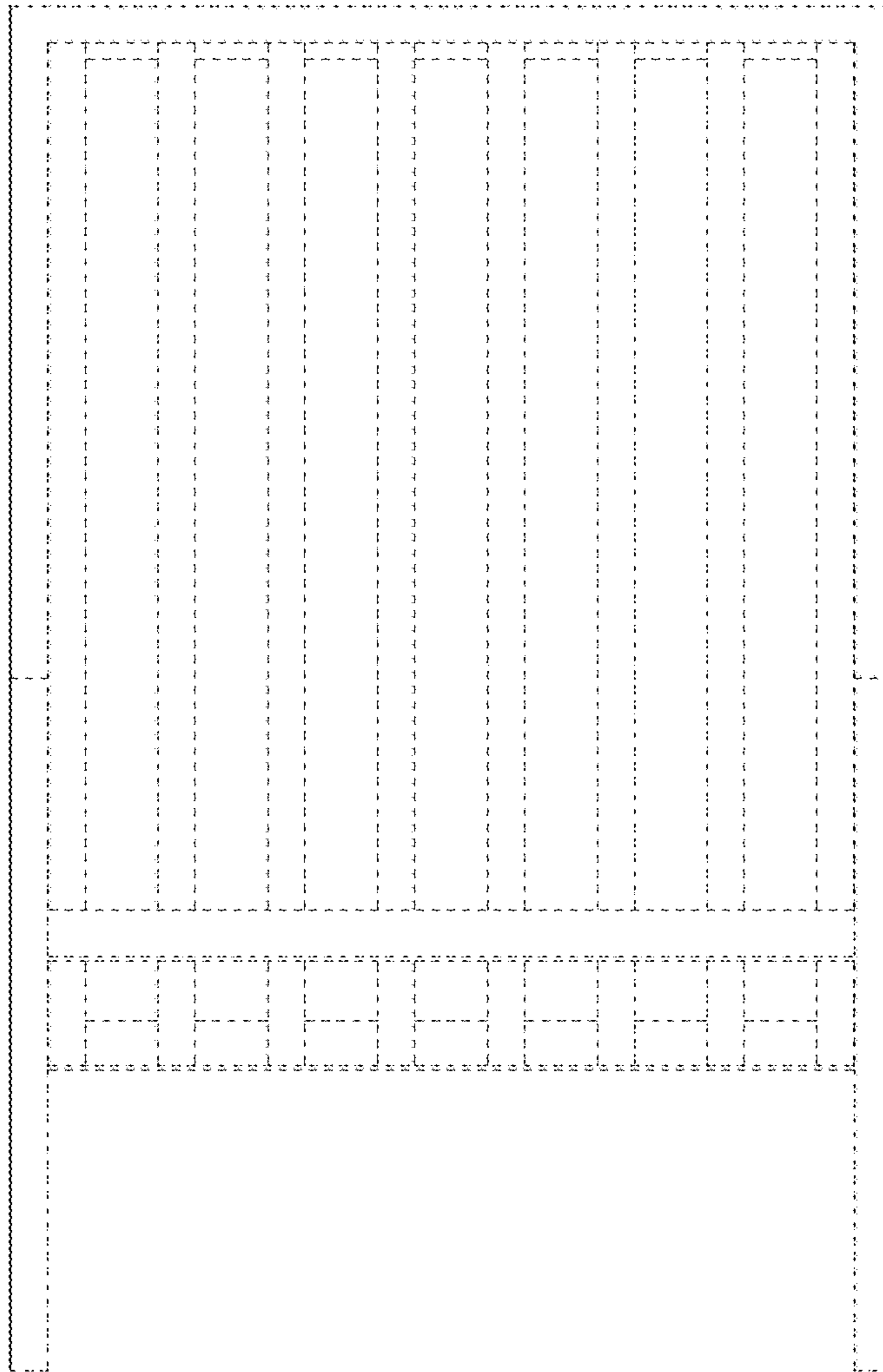


FIG. 3

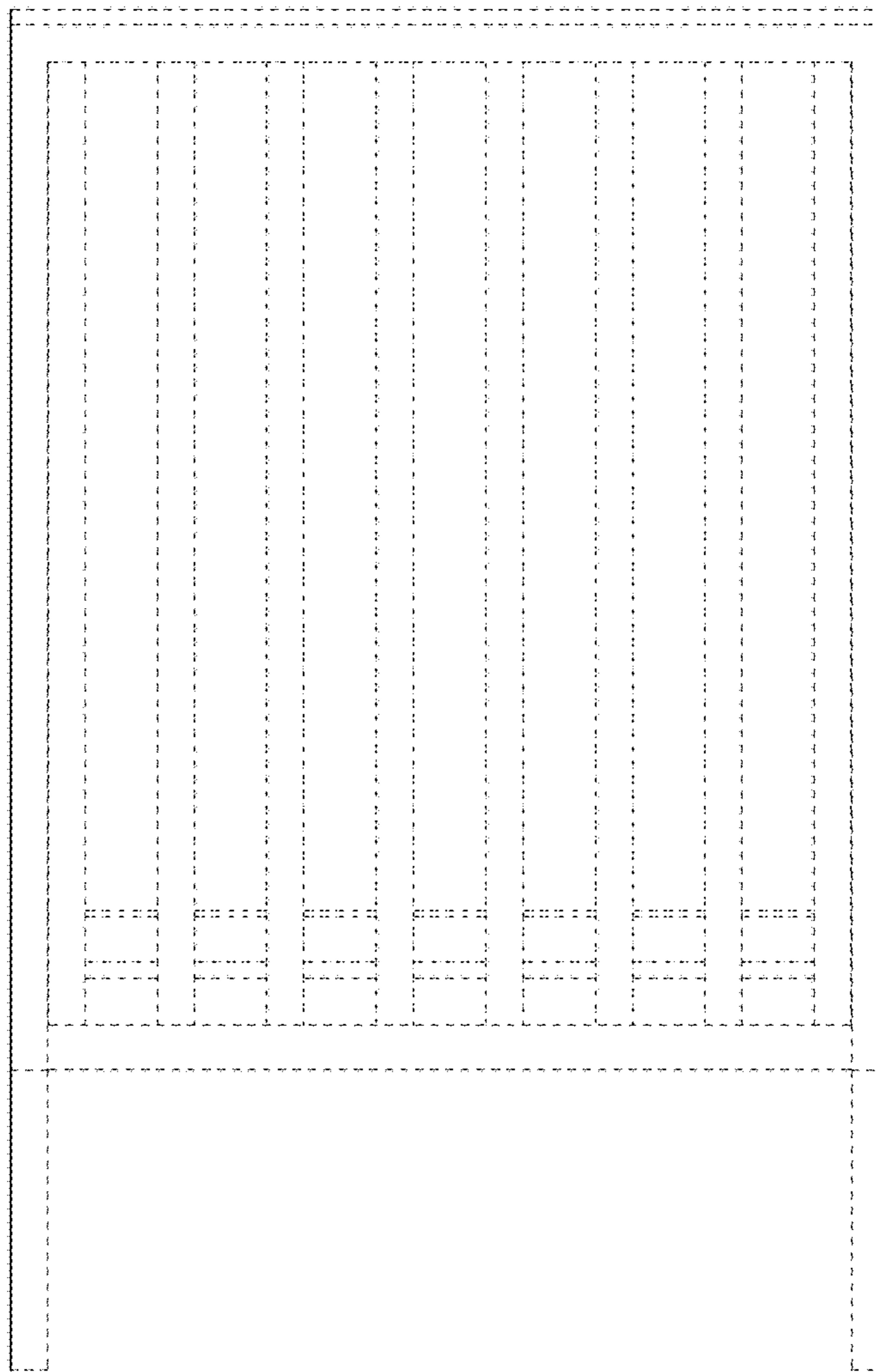


FIG. 4

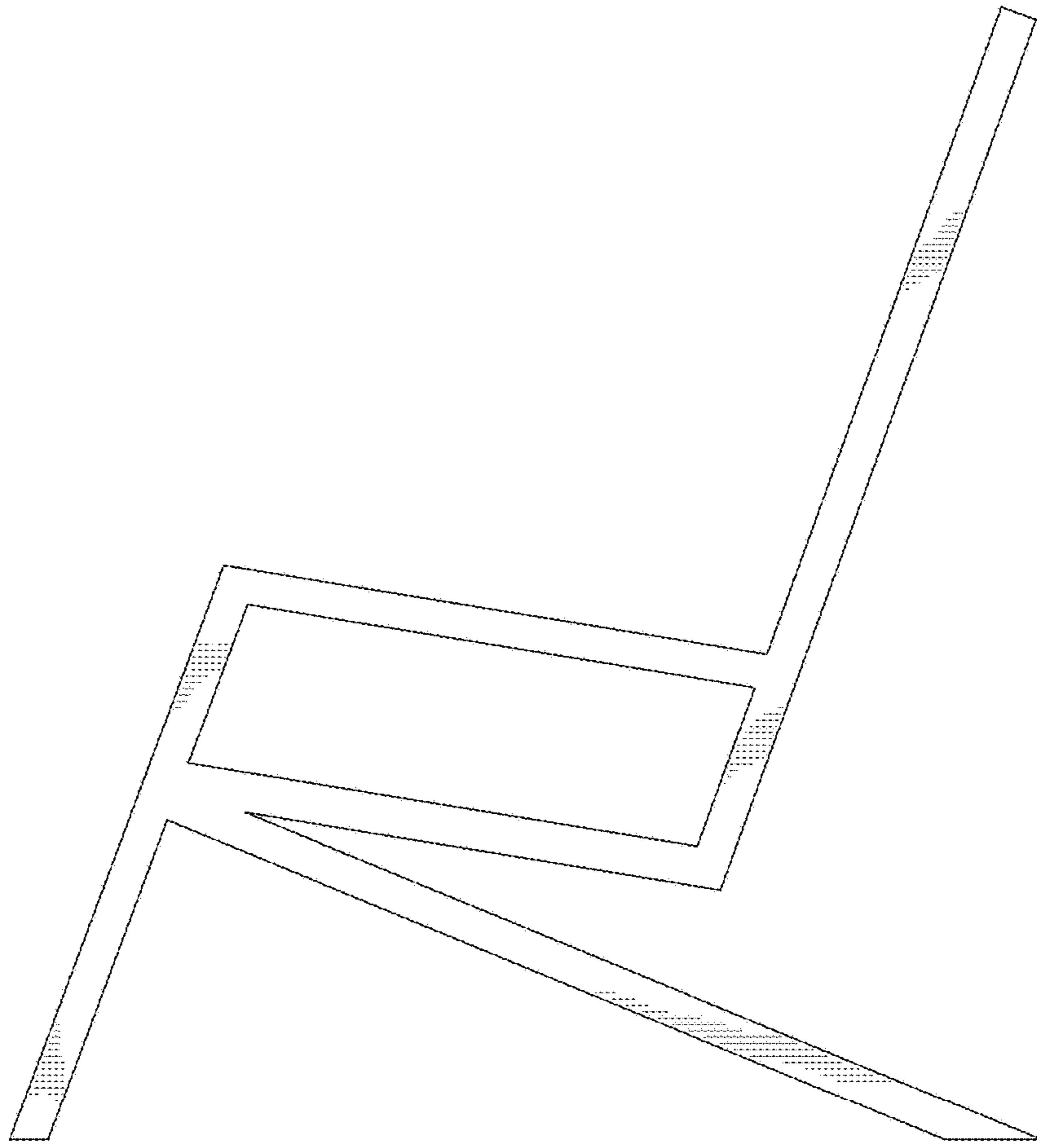


FIG. 5

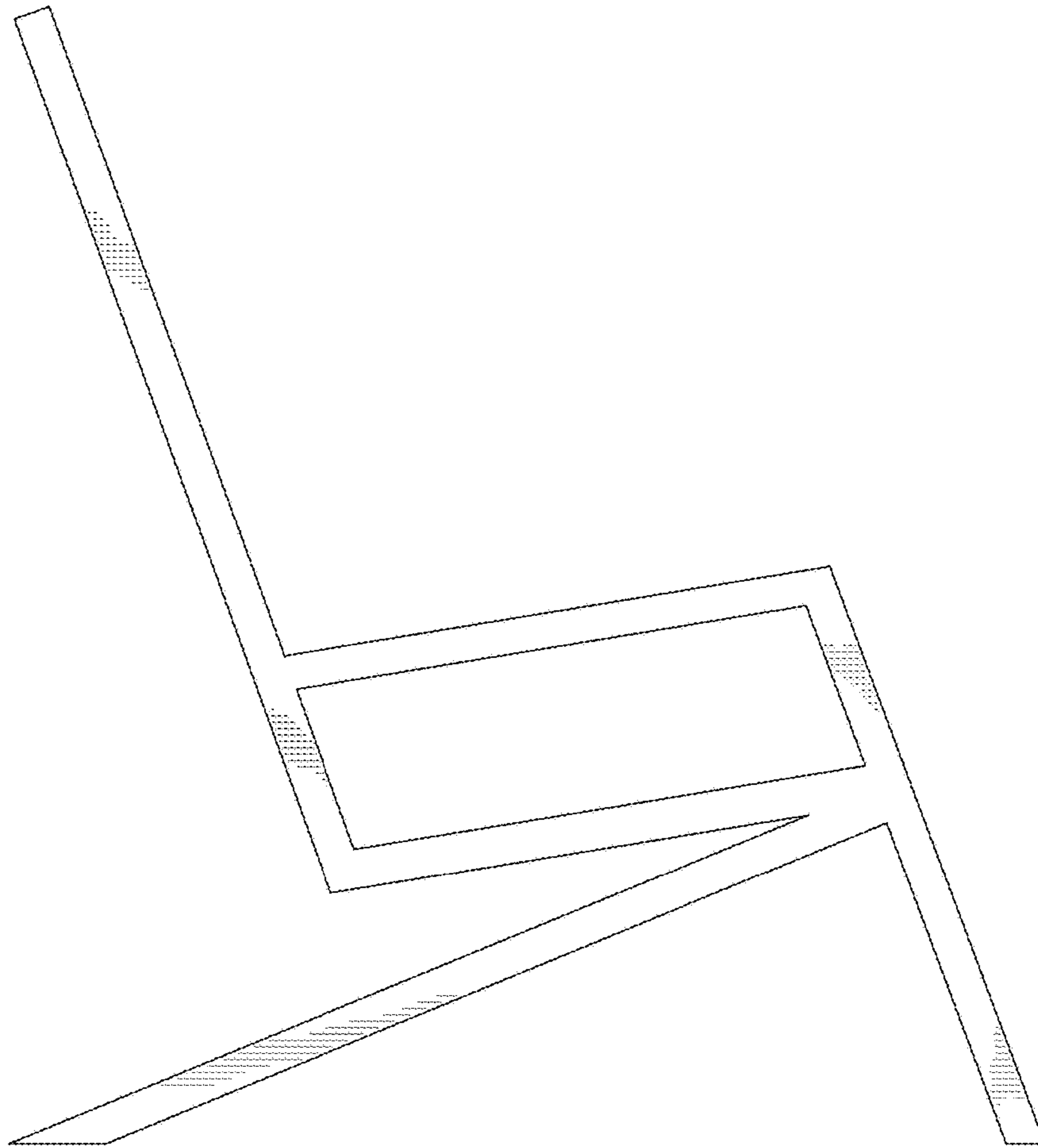


FIG. 6

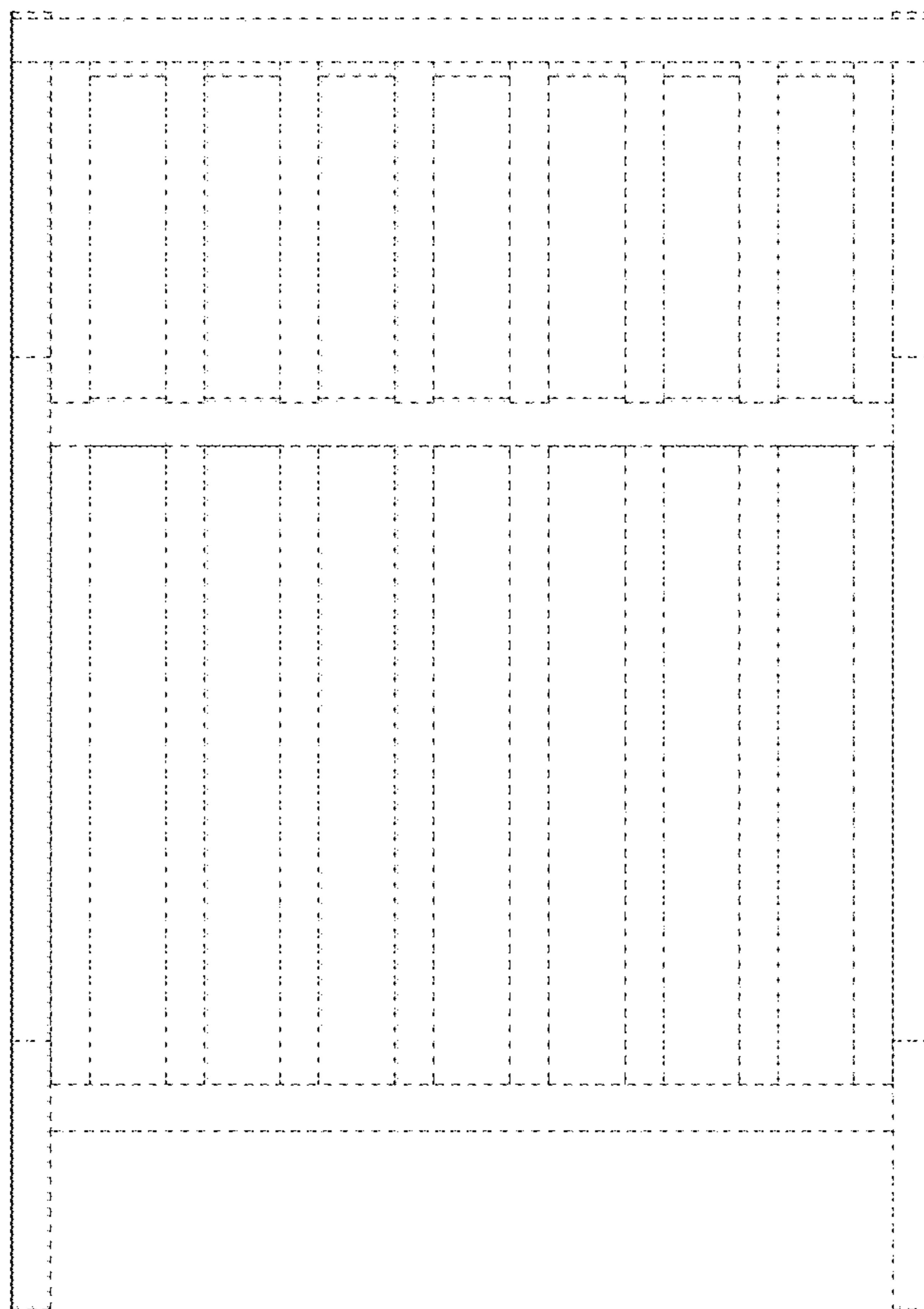


FIG.7

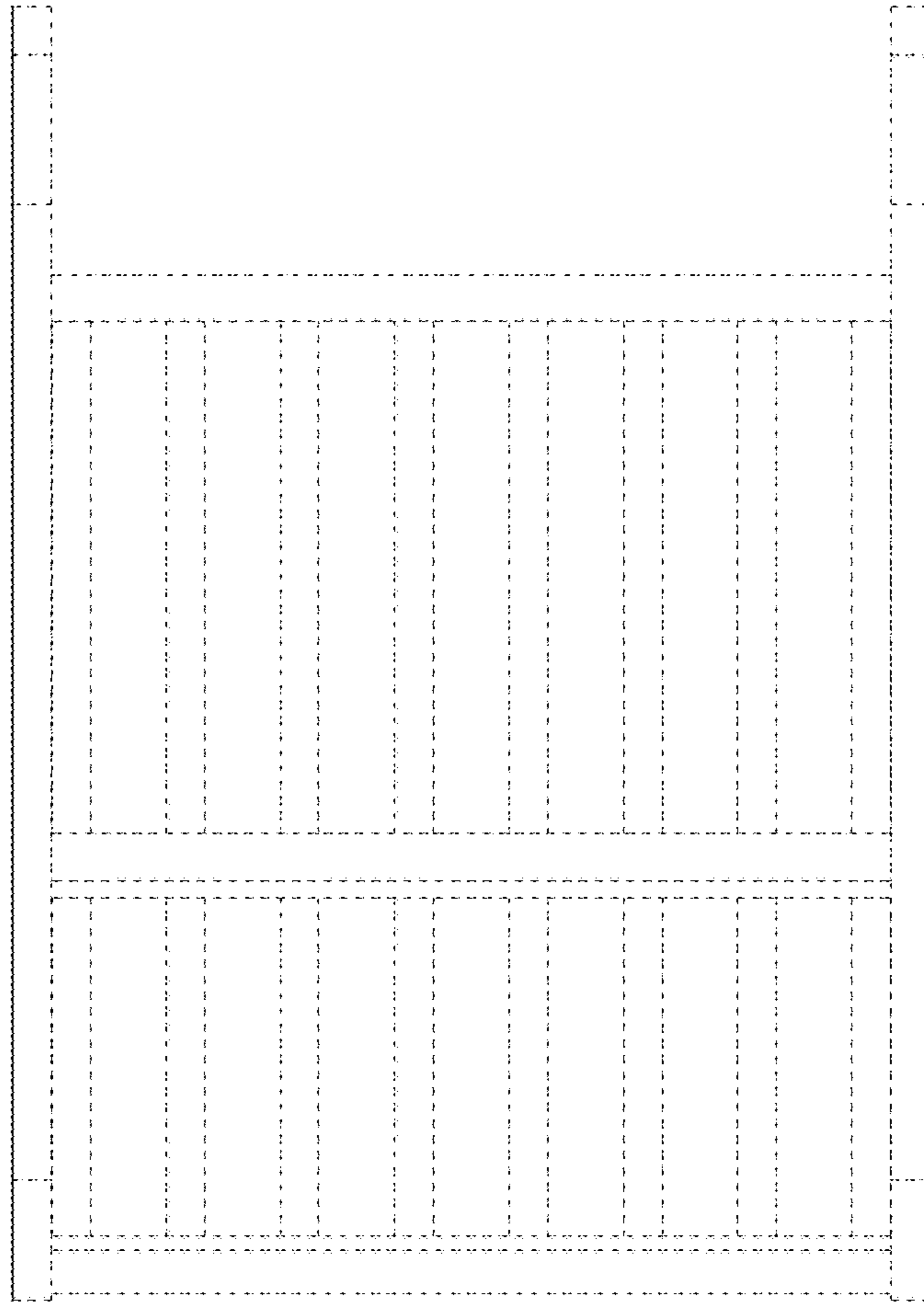


FIG. 8