



US00D865424S

(12) **United States Design Patent**
Kinoshita et al.

(10) **Patent No.:** **US D865,424 S**

(45) **Date of Patent:** **** Nov. 5, 2019**

- (54) **CHAIR**
- (71) Applicant: **Kokuyo Co., Ltd.**, Osaka-shi (JP)
- (72) Inventors: **Yojiro Kinoshita**, Osaka (JP); **Kazuo Oku**, Osaka (JP); **Takayoshi Kanou**, Osaka (JP); **Kenta Asano**, Osaka (JP); **Hideshi Hamaguchi**, Portland, OR (US); **Ippei Iwahara**, Portland, OR (US)
- (73) Assignee: **Kokuyo Co., Ltd.**, Osaka (JP)
- (**) Term: **15 Years**
- (21) Appl. No.: **29/623,875**
- (22) Filed: **Oct. 27, 2017**
- (30) **Foreign Application Priority Data**

- Jun. 15, 2017 (JP) 2017-012888
- (51) **LOC (12) Cl.** **06-06**
- (52) **U.S. Cl.**
USPC **D6/716.7**
- (58) **Field of Classification Search**
USPC D6/364, 379, 380, 708.16, 708.17, D6/708.18, 708.23, 708.24, 709.18, 716, D6/716.1, 716.2, 716.3, 716.4, 716.5, D6/716.6, 716.7, 366; D7/678; D16/242, D16/243; D8/355, 356
CPC .. A47C 7/029; A47C 7/36; A47C 7/40; A47C 7/46; A47C 7/185; A47C 7/425; A47C 7/462; Y10S 24/16; Y10T 24/318; B65D 63/1018; F16M 13/02; A44B 17/0058; A45D 8/36
See application file for complete search history.

- (56) **References Cited**
U.S. PATENT DOCUMENTS
654,668 A * 7/1900 Pergande B65D 63/1018 24/17 A
1,443,496 A * 1/1923 Morris F23H 3/02 126/163 R

- 1,756,037 A * 4/1930 Shallock F27B 21/06 266/279
- 1,823,576 A * 9/1931 Stieglitz F23H 13/00 126/148

(Continued)

OTHER PUBLICATIONS

“Builders Marketplace PEG6MM1200X600 . . . ” Jul. 20, 2016, amazon.co.uk, site visited Mar. 13, 2019 <<https://www.amazon.co.uk/Pegboard-1200mm-600mm-25mm-centres/dp/B00K2UJXME>> (Year: 2016).*

Primary Examiner — Kevin K Rudzinski
Assistant Examiner — Paul D Bohannon
(74) *Attorney, Agent, or Firm* — The Webb Law Firm

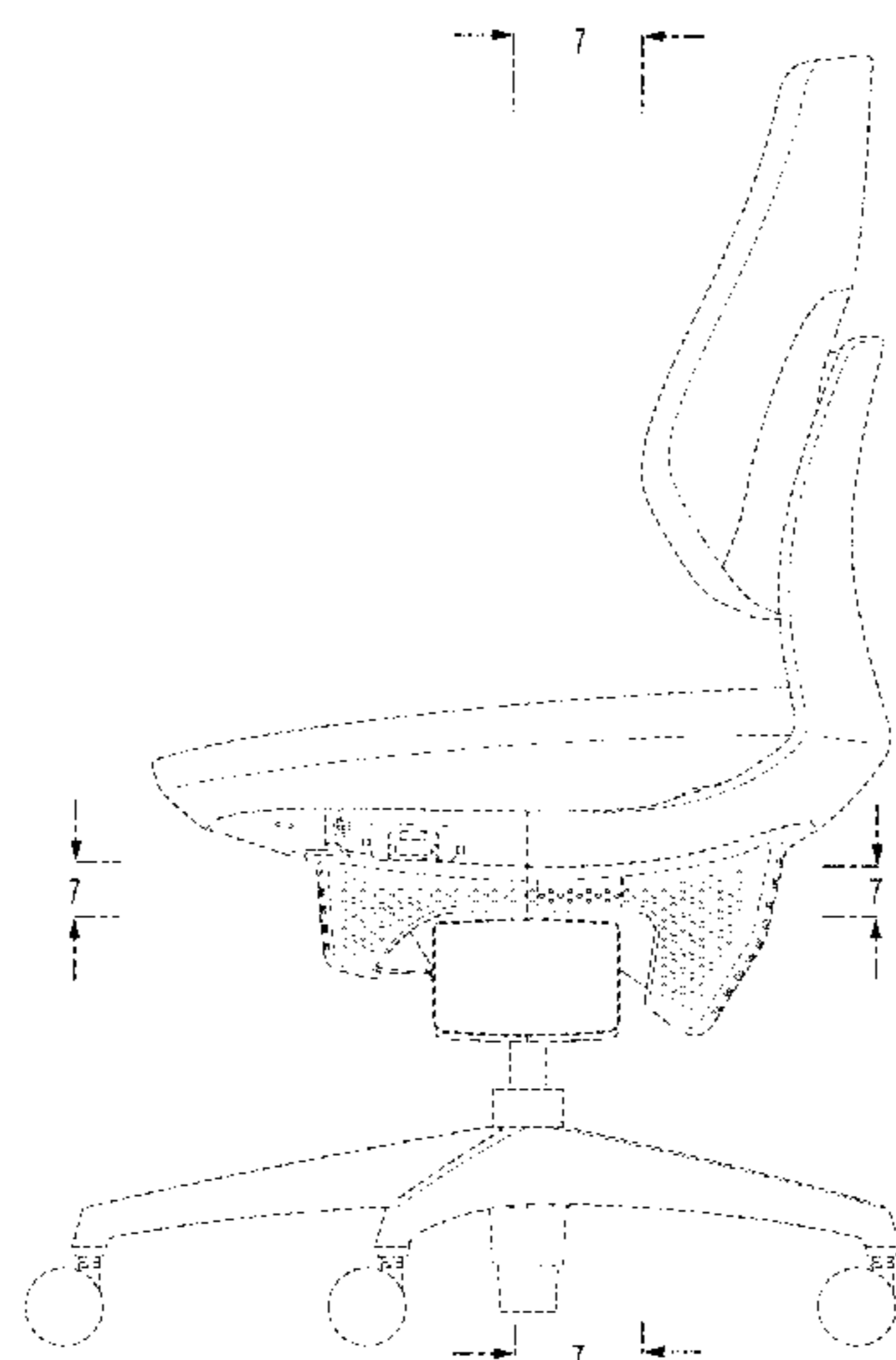
(57) **CLAIM**

The ornamental design for a chair, as shown and described.

DESCRIPTION

FIG. 1 is a front elevation view of a chair, showing our new design;
FIG. 2 is a rear elevation view thereof;
FIG. 3 is a top view thereof;
FIG. 4 is a bottom view thereof;
FIG. 5 is a right side elevation view thereof;
FIG. 6 is a left side elevation view thereof;
FIG. 7 is an enlarged right side elevation view thereof taken along lines 7-7 shown in FIG. 5; and,
FIG. 8 is an enlarged end view thereof taken along lines 8-8 shown in FIG. 7.
The portions of the chair shown in broken lines form no part of the claimed design.
The dashed-dotted line showings of FIGS. 5 and 7 illustrate boundaries between the claimed design and environmental features.

1 Claim, 8 Drawing Sheets



(56)

References Cited

U.S. PATENT DOCUMENTS

2,870,502 A * 1/1959 Sasse B60R 7/10
 24/17 A
 D210,043 S * 1/1968 Laurini D25/199
 D238,903 S * 2/1976 Colvig D16/242
 D264,045 S * 4/1982 Elliot D8/355
 RE32,248 E * 9/1986 Blecher E03F 5/06
 210/163
 5,066,390 A * 11/1991 Rhodes B03C 1/284
 209/217
 D323,599 S * 2/1992 Griffard D7/408
 D401,497 S * 11/1998 Terrell D8/356
 D448,650 S * 10/2001 Vrame D8/354
 D492,156 S * 6/2004 Siegel D7/408
 D588,621 S * 3/2009 Baty D16/242
 7,784,864 B2 * 8/2010 Feder B60R 7/043
 297/188.06
 D630,239 S * 1/2011 Huguley D16/242
 D635,447 S * 4/2011 Henry D8/356
 8,678,680 B1 * 3/2014 Pelini F16M 11/06
 224/275
 D713,441 S * 9/2014 Pelini D16/242
 9,114,766 B1 * 8/2015 Pelini B60R 11/04
 D741,396 S * 10/2015 Pelini D16/242
 9,877,561 B2 * 1/2018 Syms A45D 8/36
 D843,550 S * 3/2019 Oatey D23/261
 2009/0189047 A1 * 7/2009 Means F16M 11/10
 248/354.1
 2016/0037880 A1 * 2/2016 Syms A45D 8/36
 63/3.2

* cited by examiner

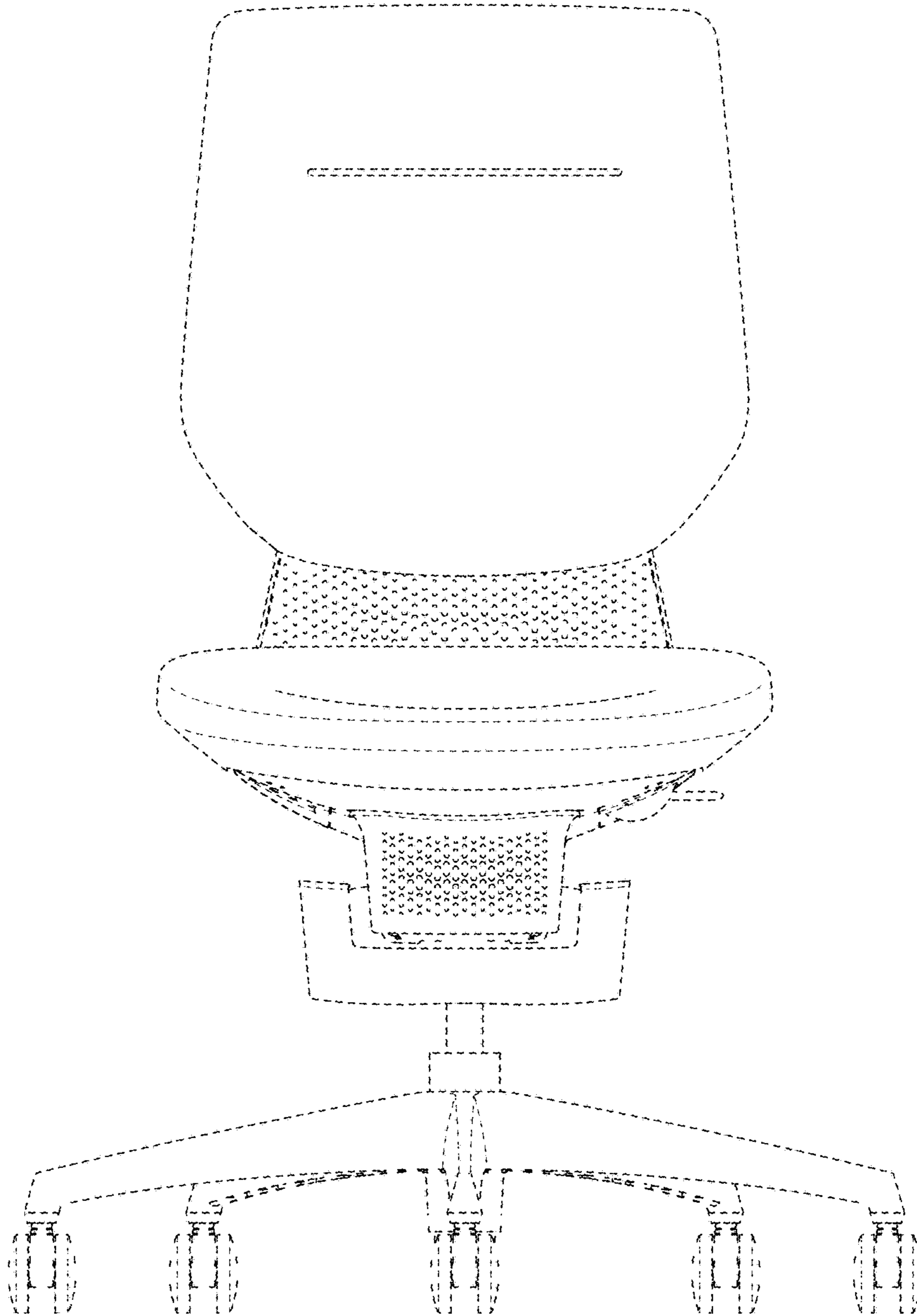


FIG. 1

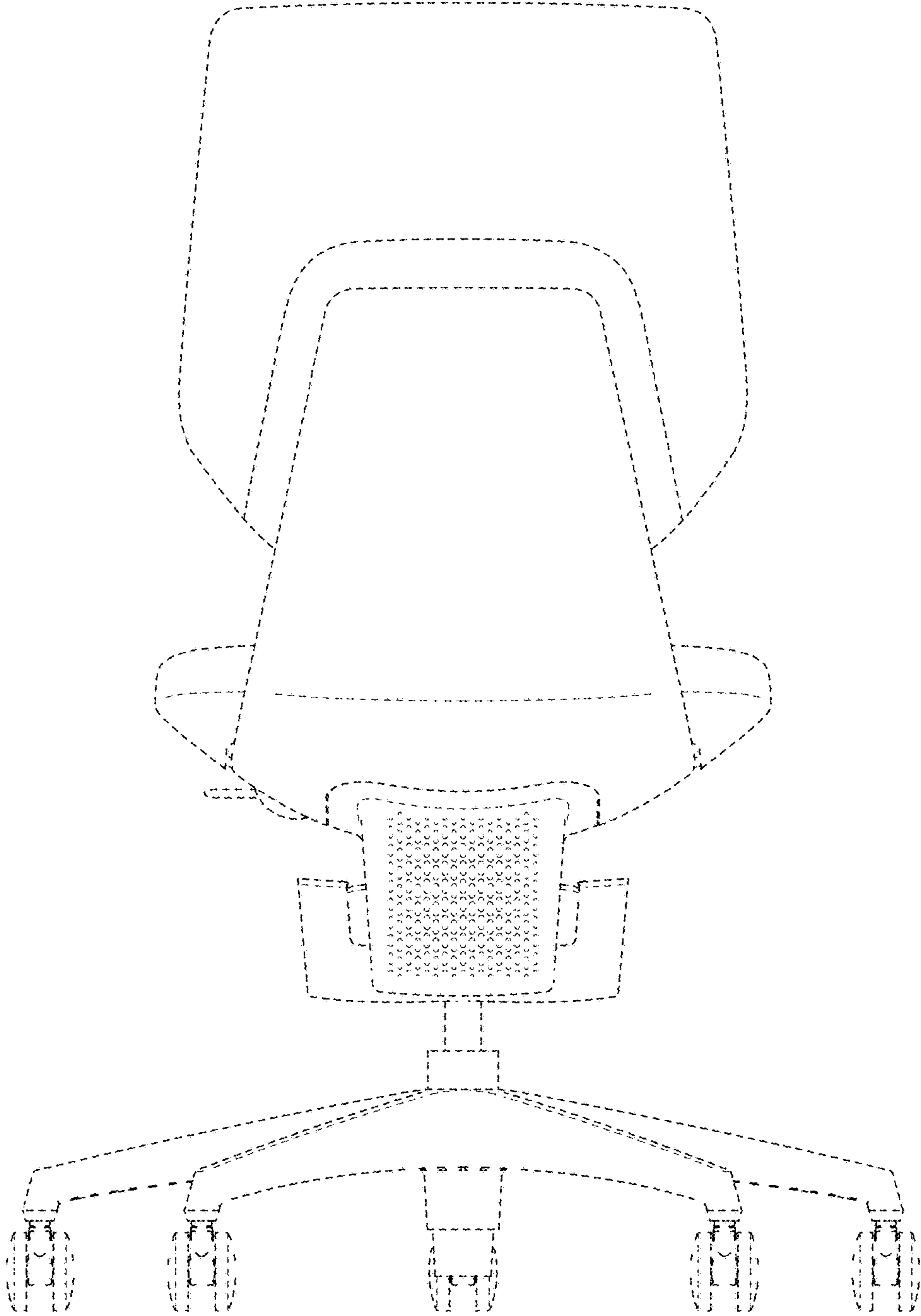


FIG. 2

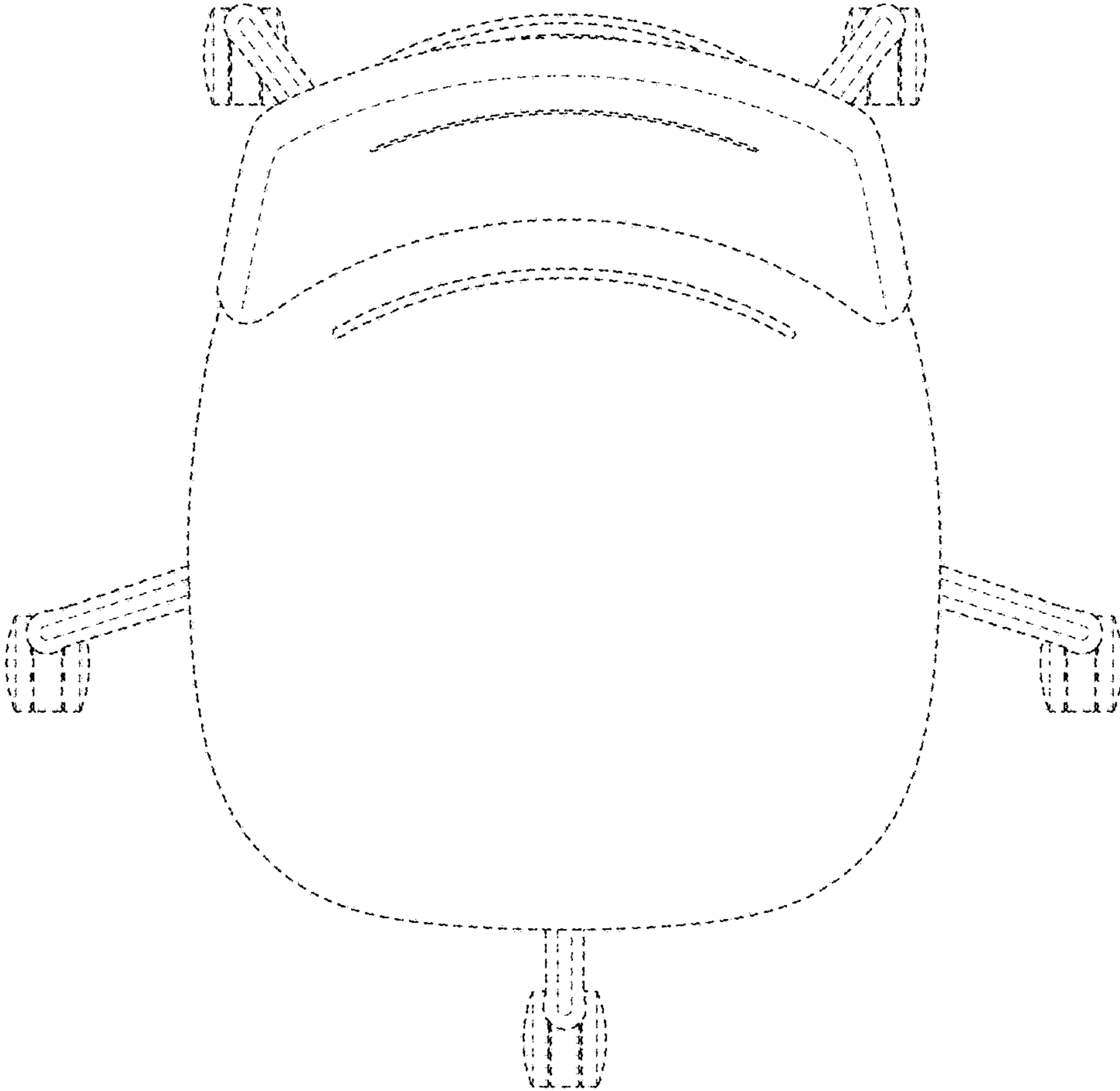


FIG. 3

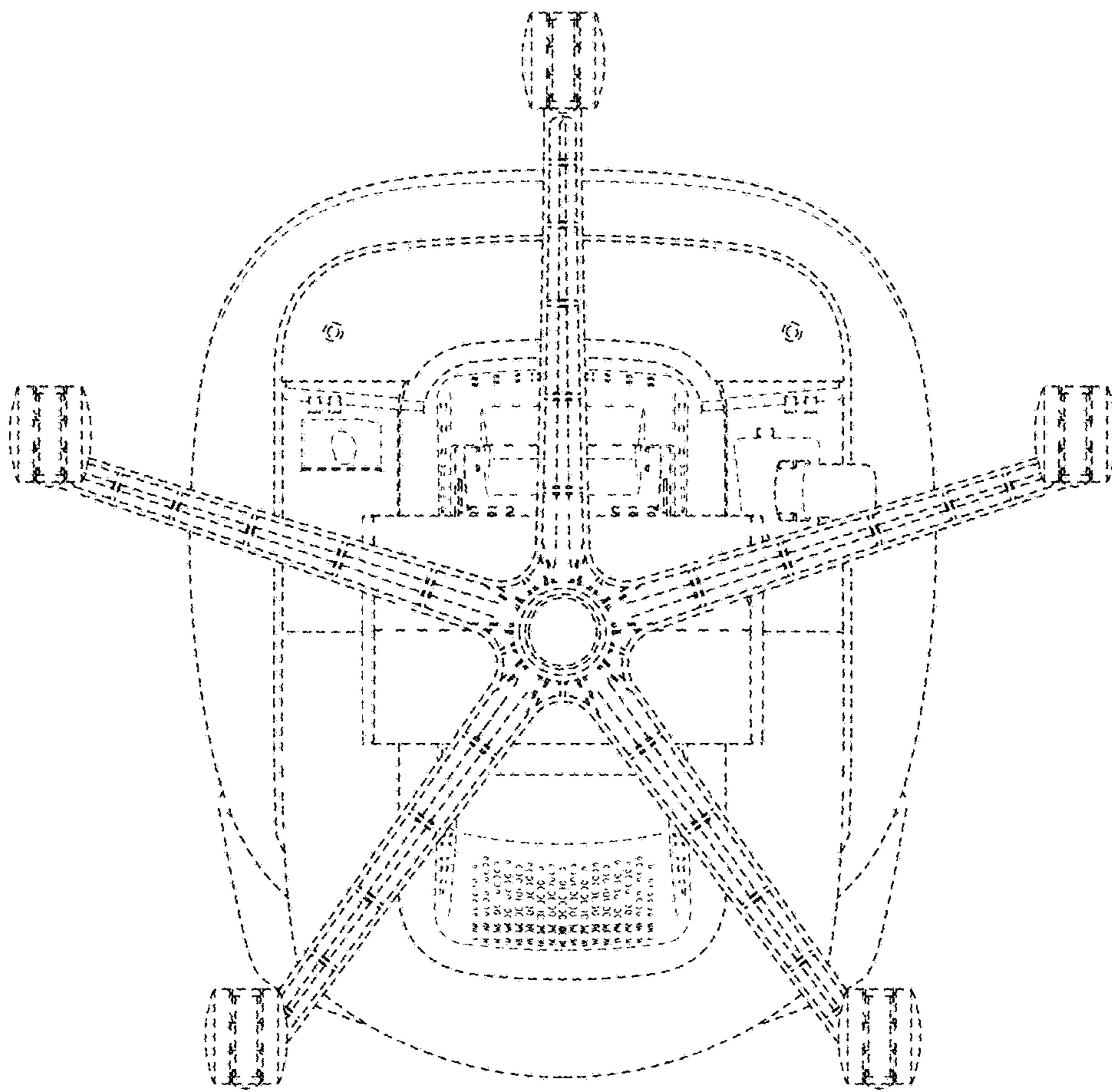


FIG. 4

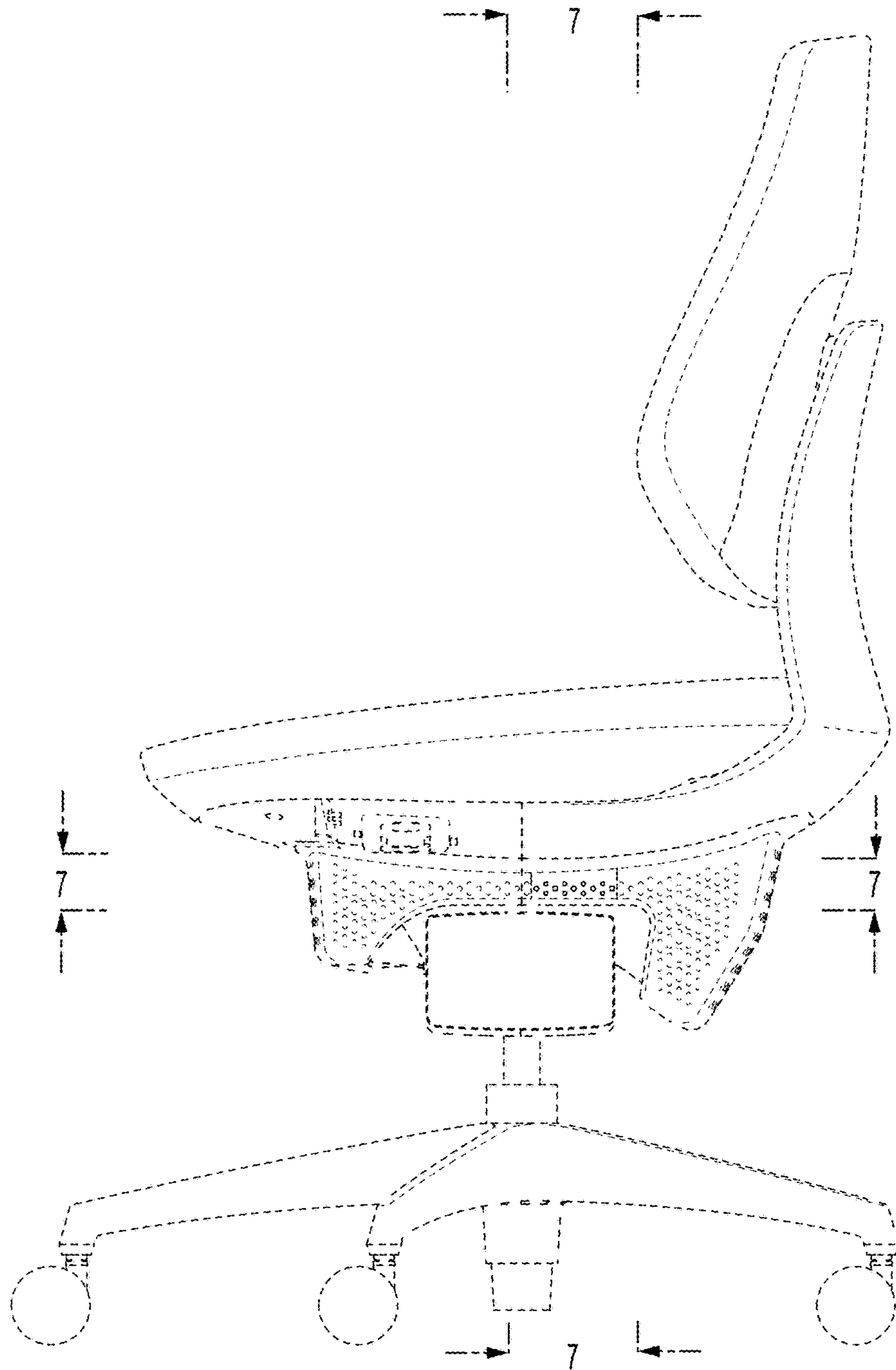


FIG. 5

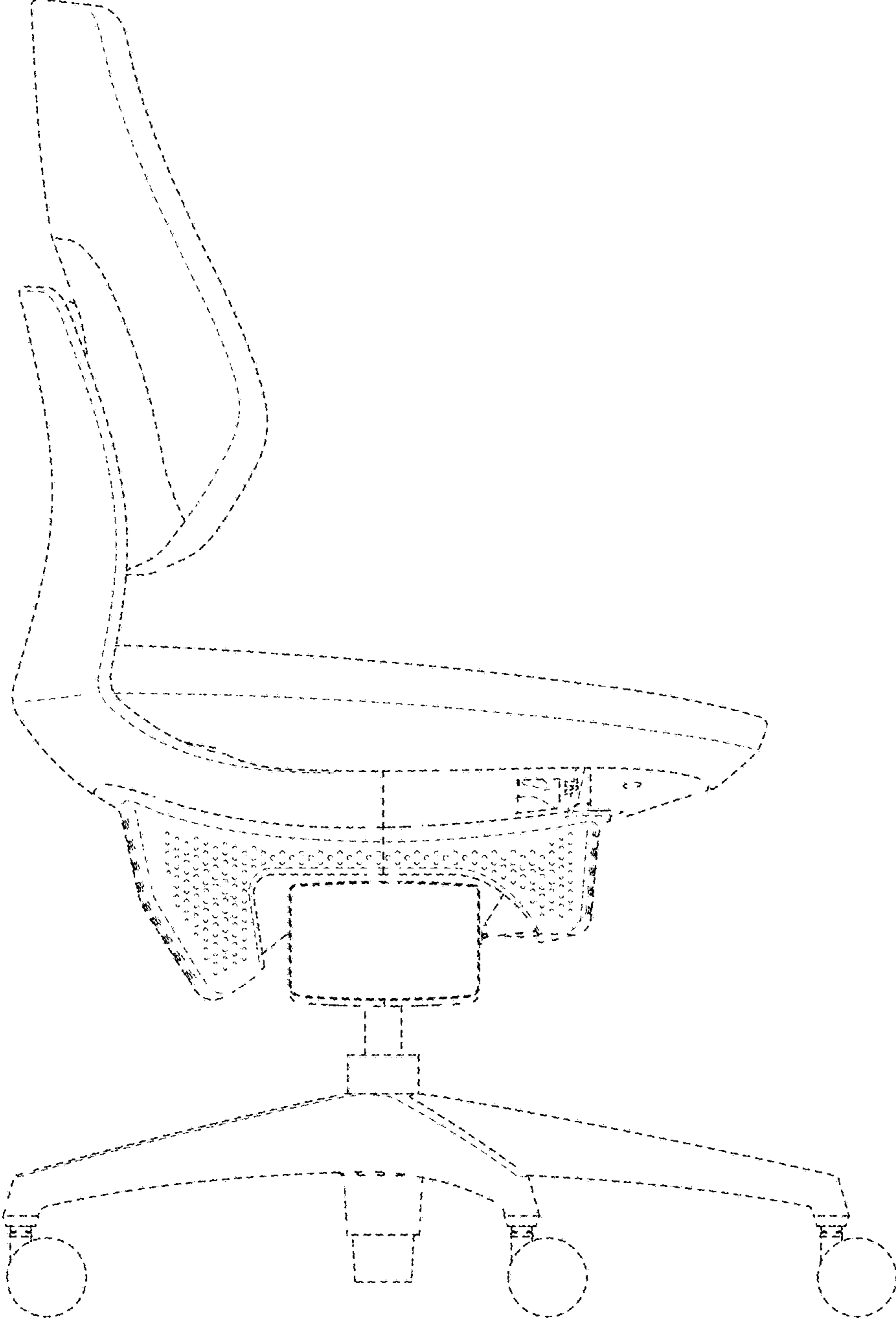


FIG. 6

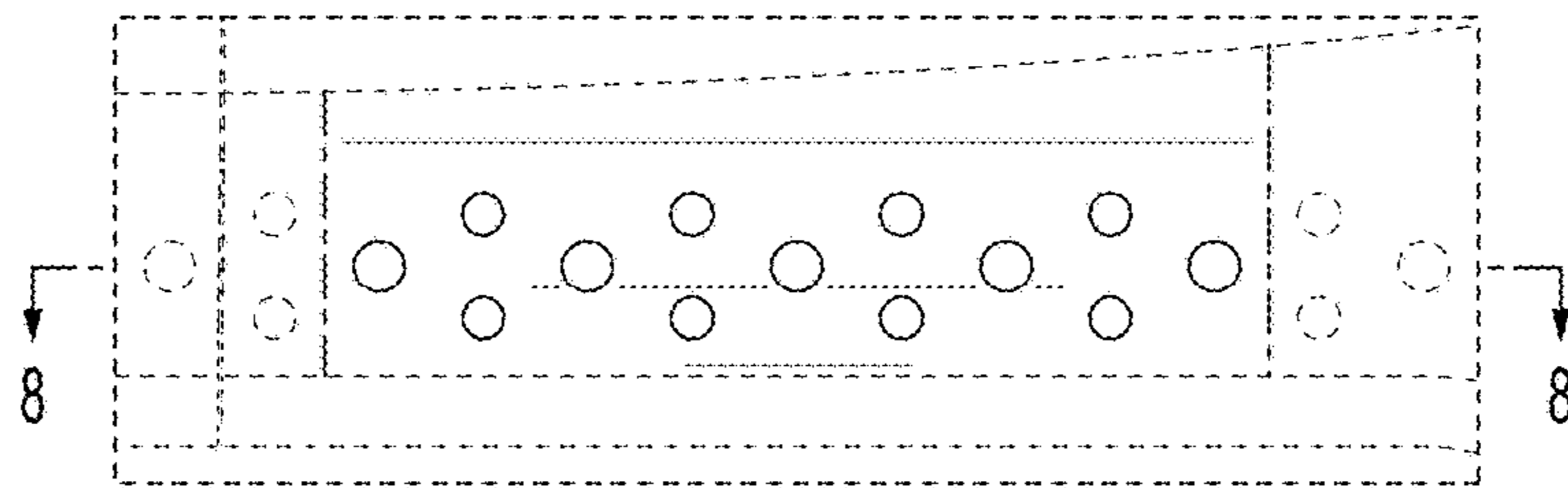


FIG. 7

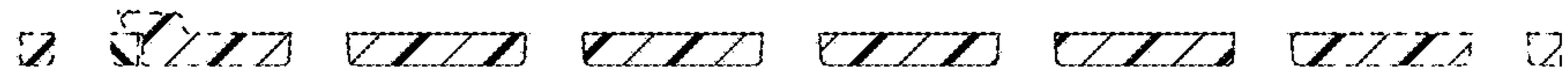


FIG. 8