



US00D865423S

(12) **United States Design Patent**
Kinoshita et al.

(10) **Patent No.:** **US D865,423 S**

(45) **Date of Patent:** **** Nov. 5, 2019**

(54) **CHAIR**

(71) Applicant: **Kokuyo Co., Ltd.**, Osaka-shi (JP)

(72) Inventors: **Yojiro Kinoshita**, Osaka (JP); **Kazuo Oku**, Osaka (JP); **Takayoshi Kanou**, Osaka (JP); **Kenta Asano**, Osaka (JP); **Hideshi Hamaguchi**, Portland, OR (US); **IppeI Iwahara**, Portland, OR (US)

(73) Assignee: **Kokuyo Co., Ltd.**, Osaka (JP)

(**) Term: **15 Years**

(21) Appl. No.: **29/623,896**

(22) Filed: **Oct. 27, 2017**

(30) **Foreign Application Priority Data**

Jun. 15, 2017 (JP) 2017-012890

(51) **LOC (12) Cl.** **06-01**

(52) **U.S. Cl.**
USPC **D6/716.2; D6/366**

(58) **Field of Classification Search**
USPC D6/334-336, 364, 365, 366, 367, 374,
D6/379, 380, 716, 716.1, 716.2, 716.4
CPC A47C 3/24; A47C 7/004; A47C 7/282;
A47C 7/40; A47C 7/46; A47C 7/462;
A47C 7/54; A47C 7/546; B60N 2/75;
B60N 2/763

See application file for complete search history.

(56) **References Cited**

U.S. PATENT DOCUMENTS

D654,709	S	*	2/2012	Fujita	D6/366
D654,710	S	*	2/2012	Fujita	D6/366
D677,068	S	*	3/2013	Chen	D6/366
D688,483	S	*	8/2013	Aratani	D6/366
D771,989	S	*	11/2016	Giugiaro	D6/716.2
D774,320	S	*	12/2016	Hsiao	D6/366
D779,254	S	*	2/2017	Welsh	D6/716.4

* cited by examiner

Primary Examiner — Mimosa De

(74) *Attorney, Agent, or Firm* — The Webb Law Firm

(57) **CLAIM**

The ornamental design for a chair, as shown and described.

DESCRIPTION

FIG. 1 is an upper perspective view of a chair, showing our new design;

FIG. 2 is a front elevation view thereof;

FIG. 3 is a rear elevation view thereof;

FIG. 4 is a top view thereof;

FIG. 5 is a bottom view thereof;

FIG. 6 is a right side elevation view thereof;

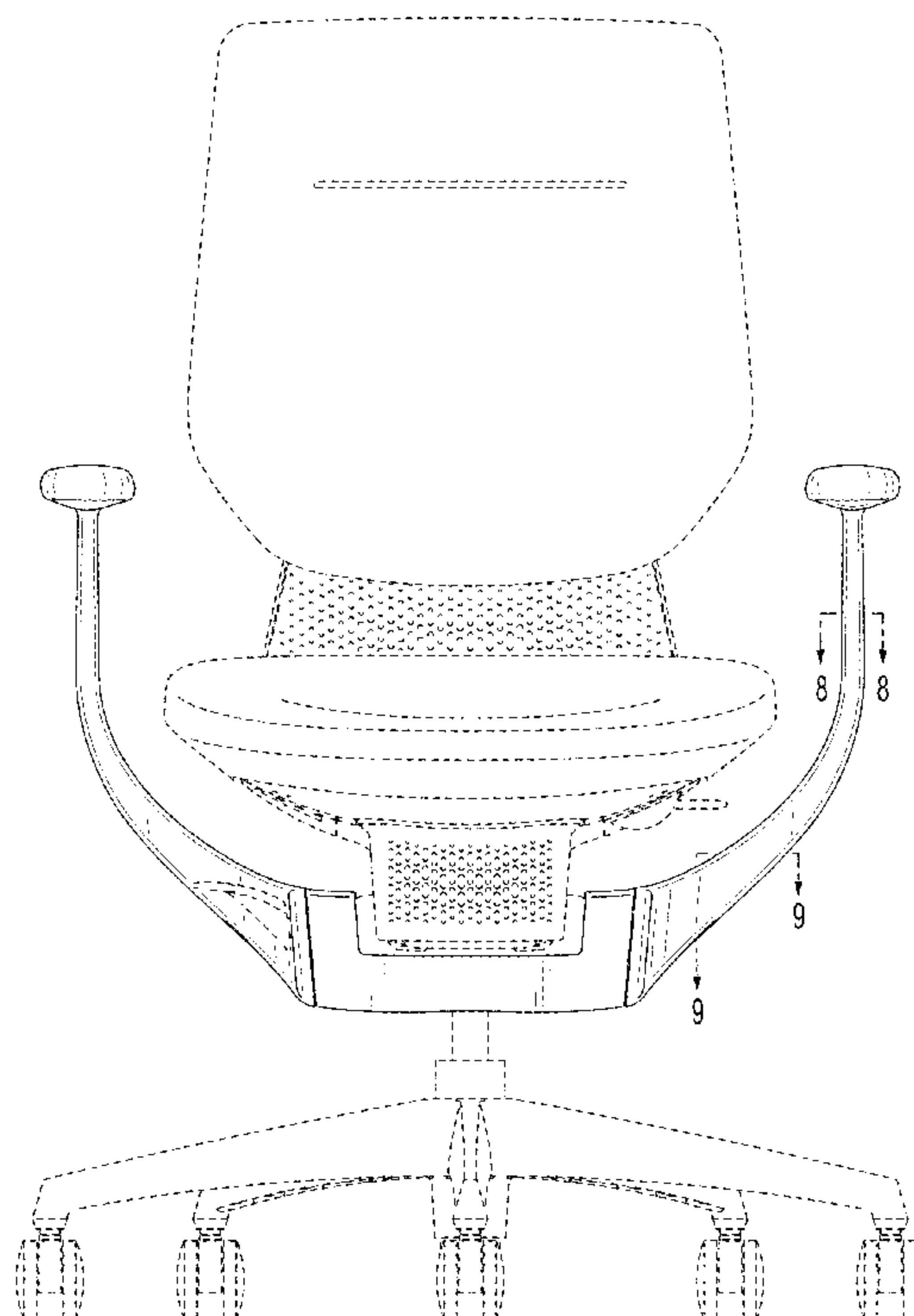
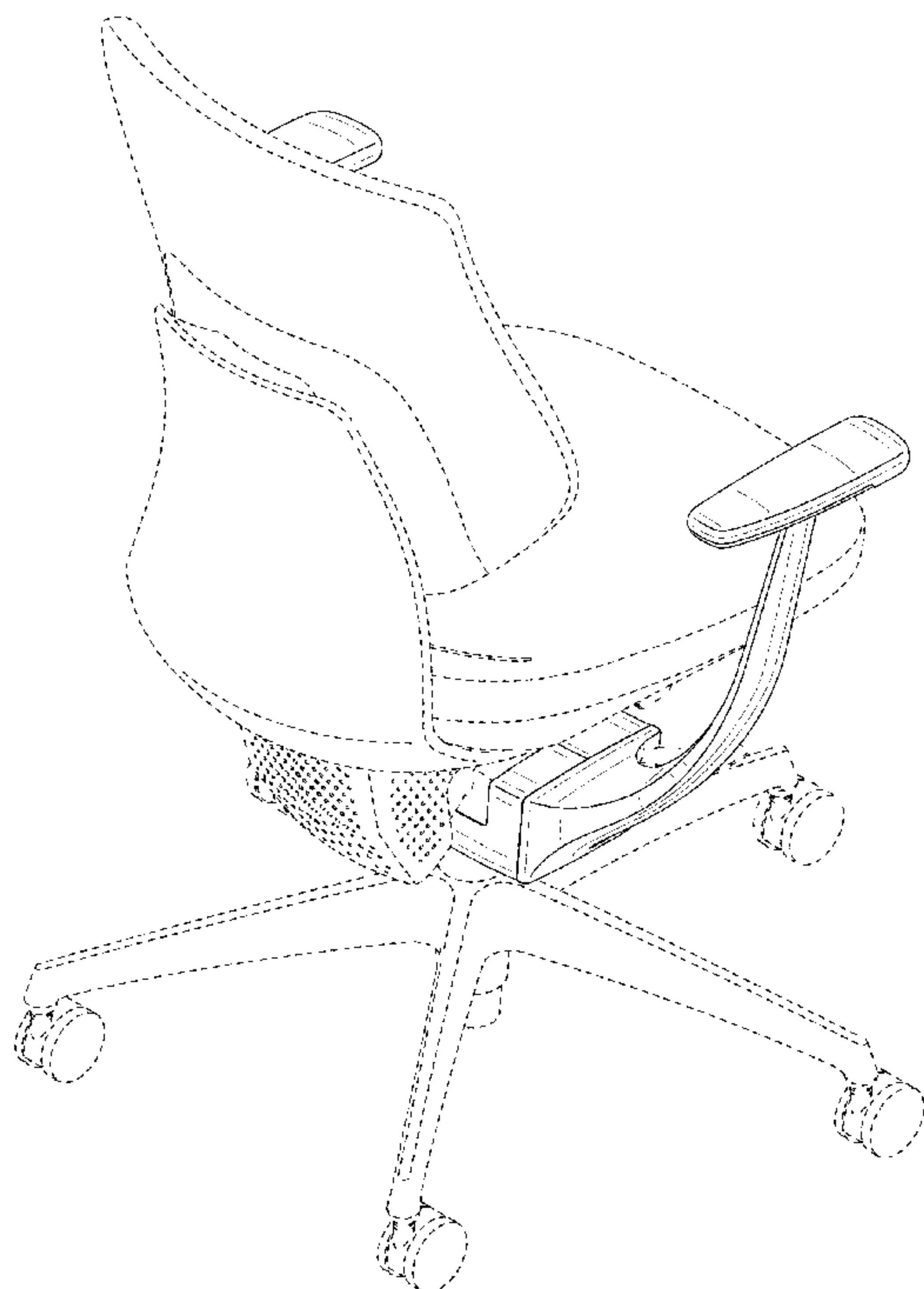
FIG. 7 is a left side elevation view thereof;

FIG. 8 is an enlarged end view thereof taken along lines 8-8 shown in FIG. 2; and,

FIG. 9 is an enlarged end view thereof taken along lines 9-9 shown in FIG. 2.

The portions of the chair shown in broken lines form no part of the claimed design.

1 Claim, 9 Drawing Sheets



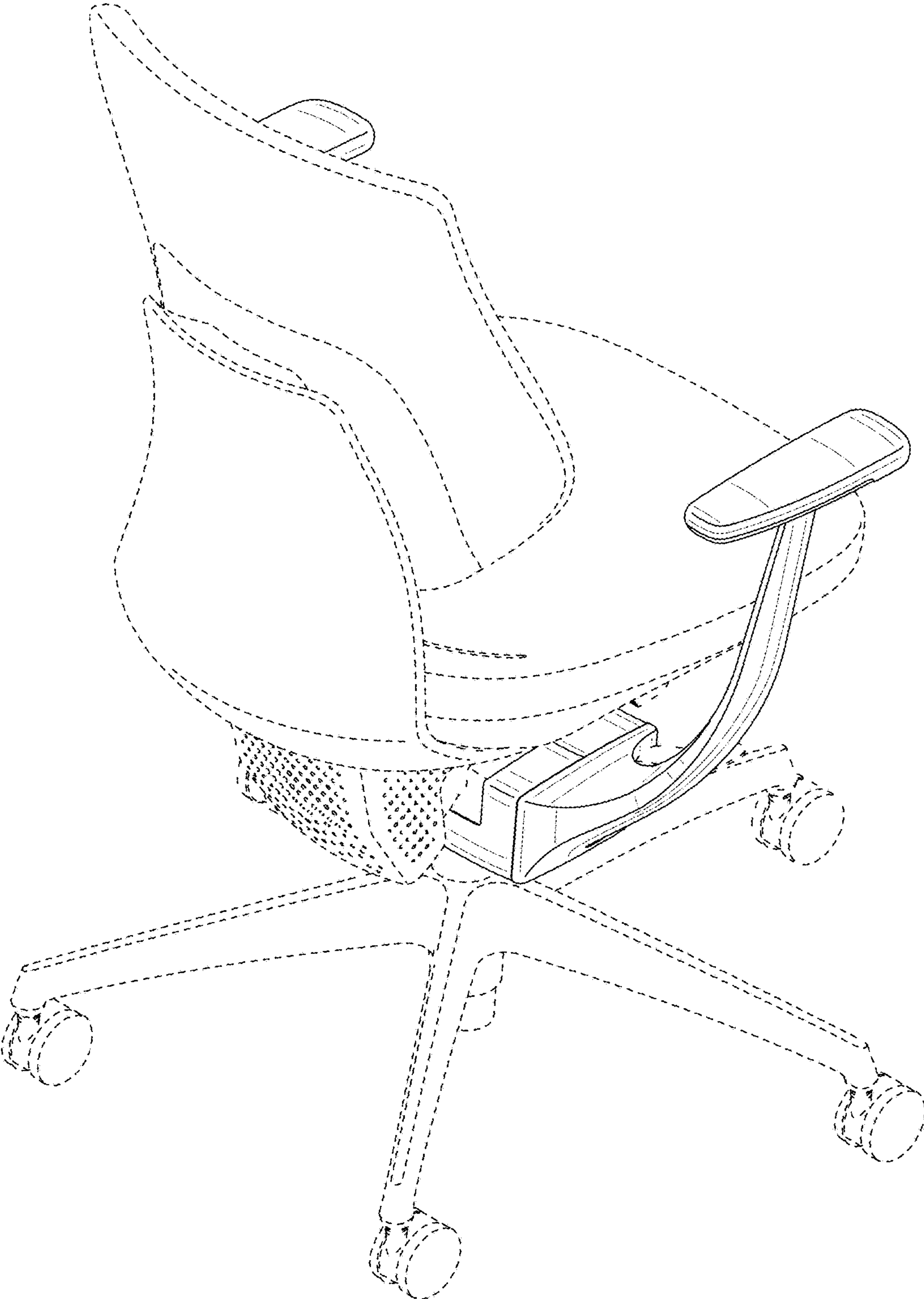


FIG. 1

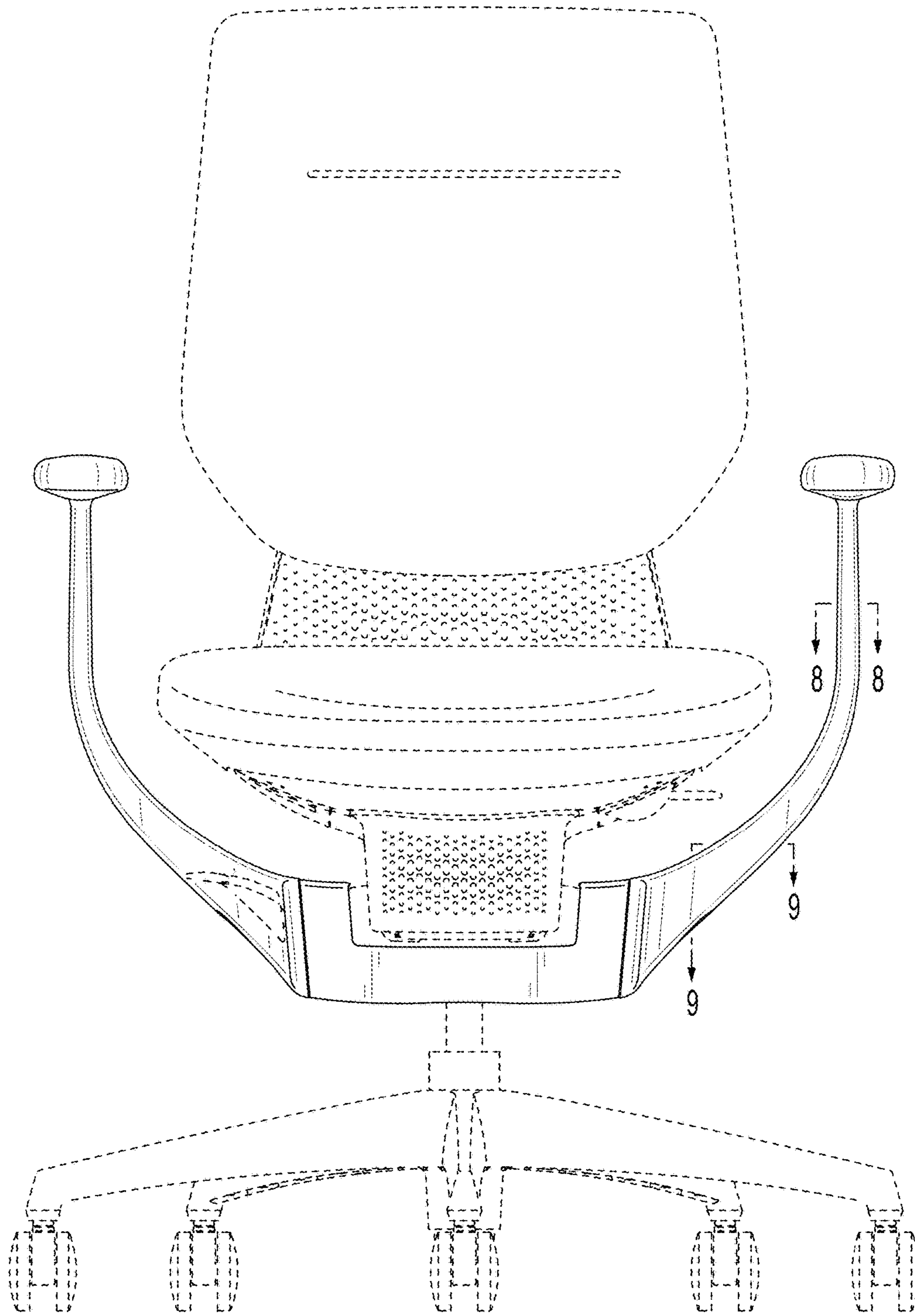


FIG. 2

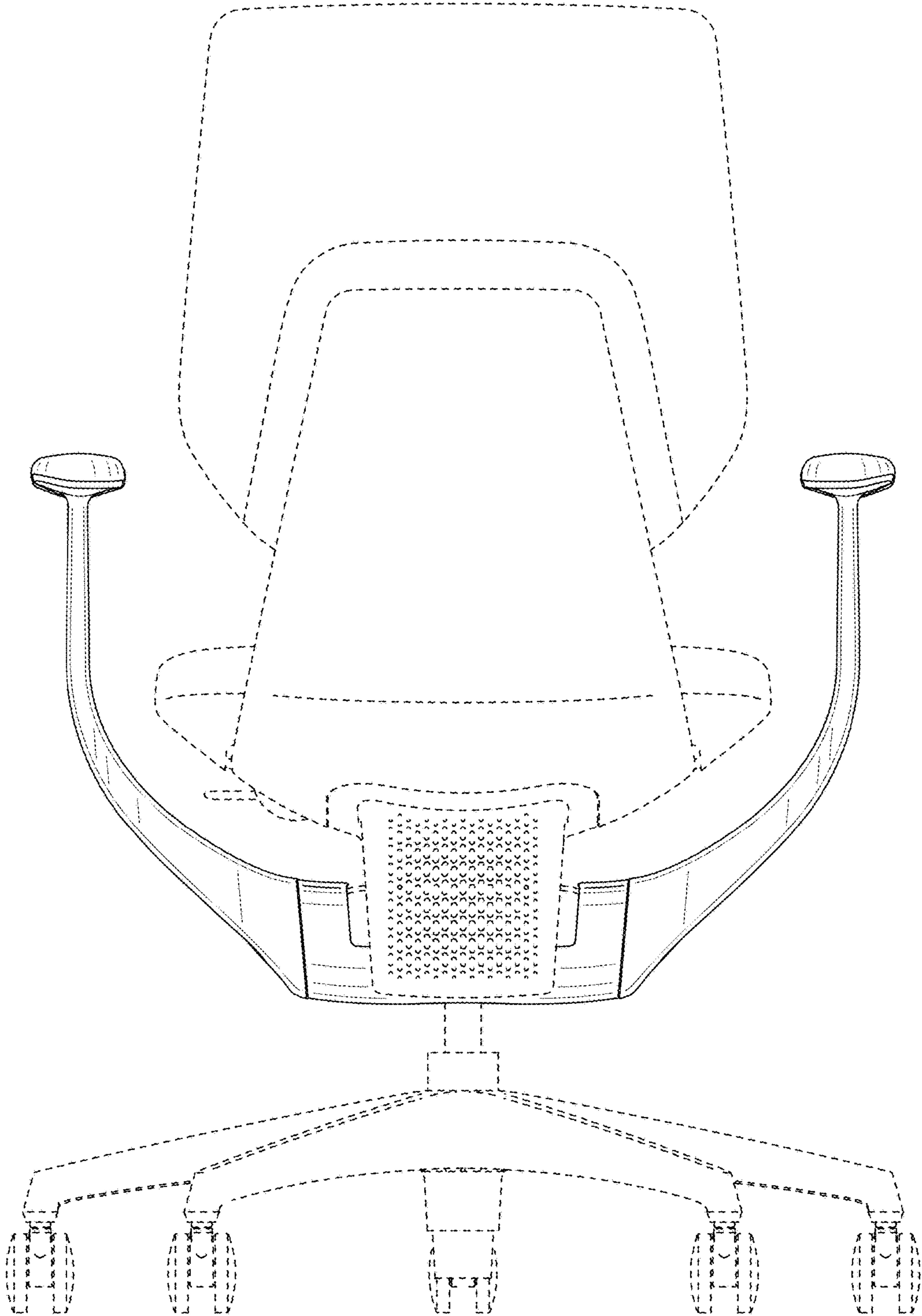


FIG. 3

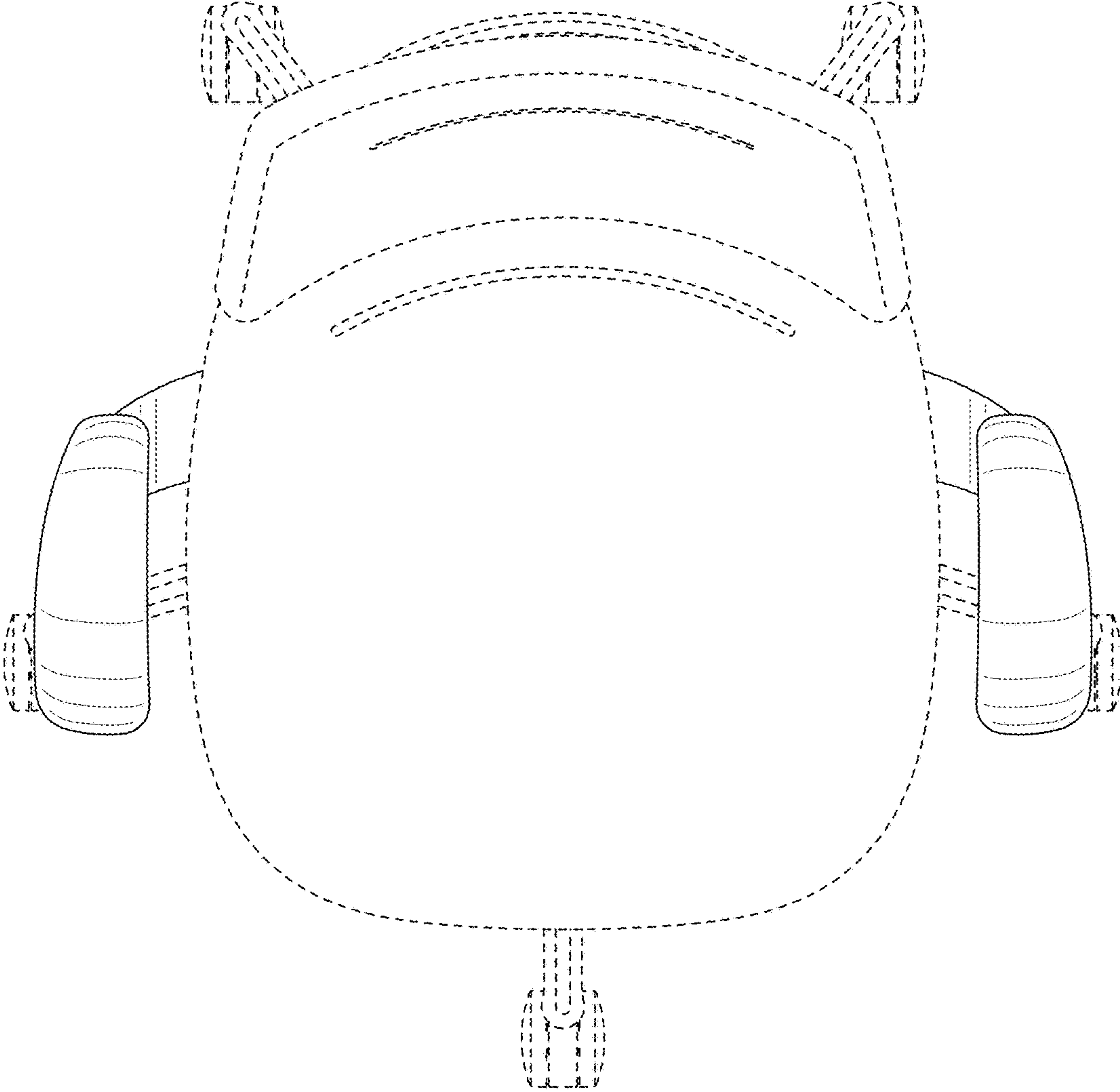


FIG. 4

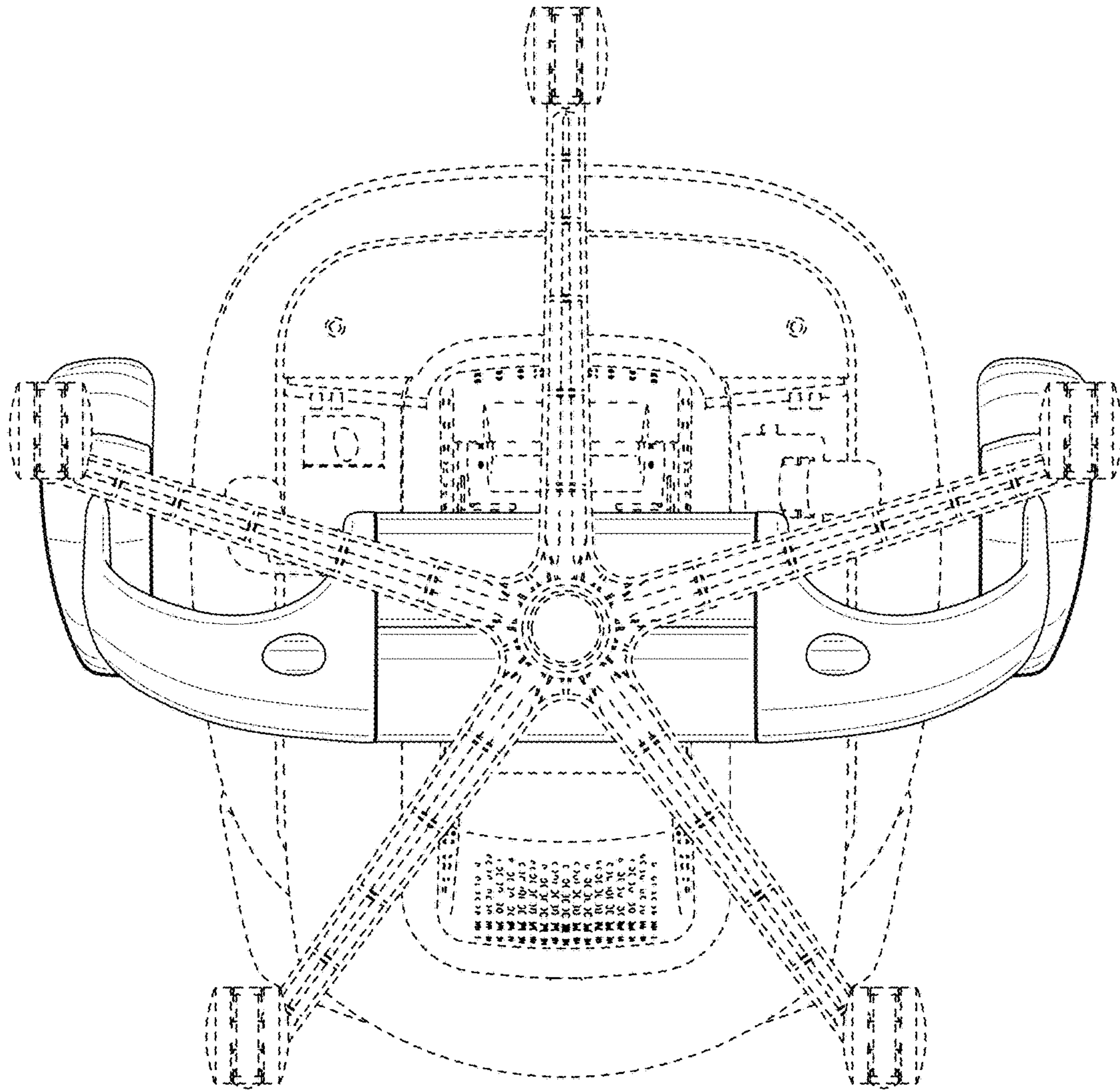


FIG. 5

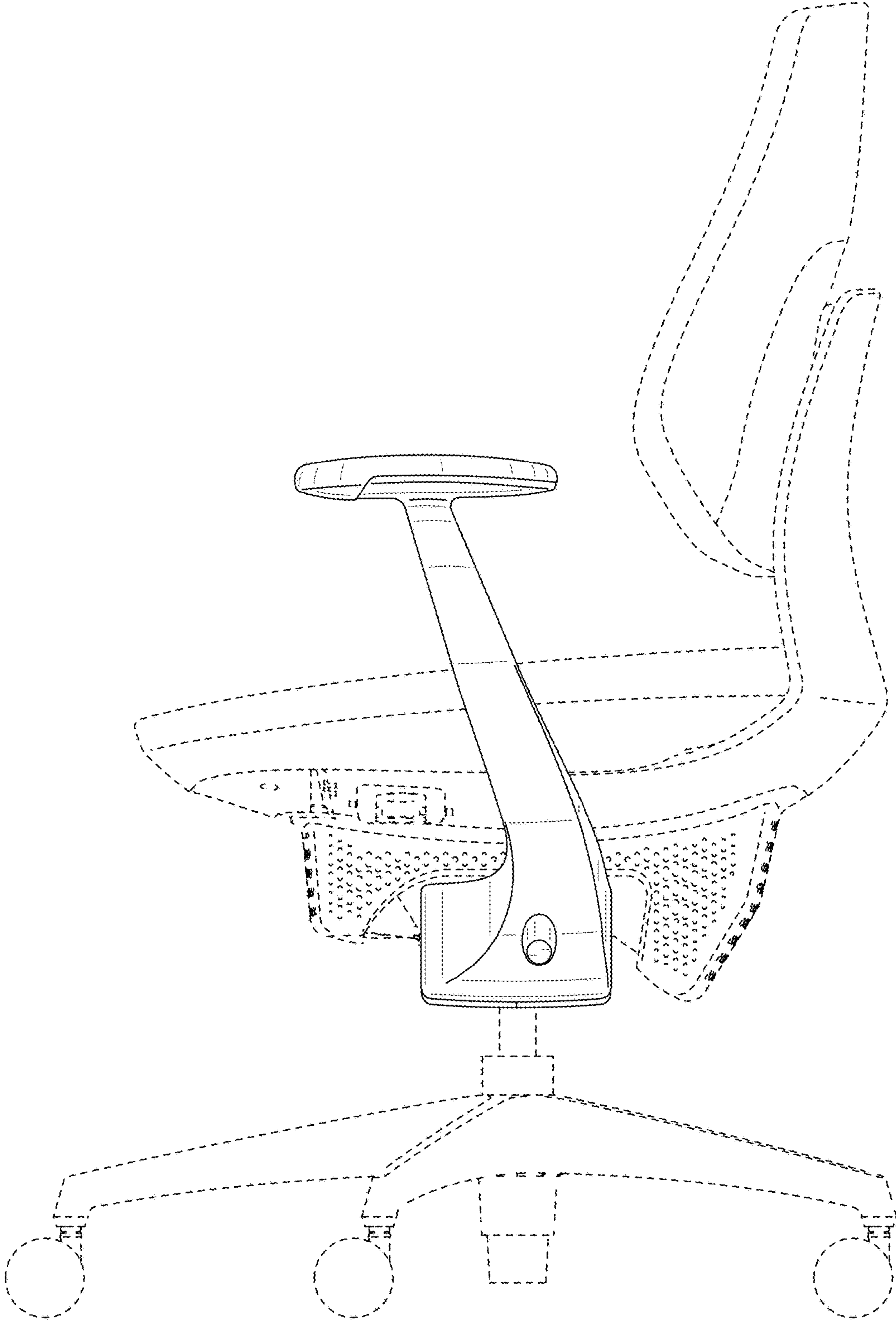


FIG. 6

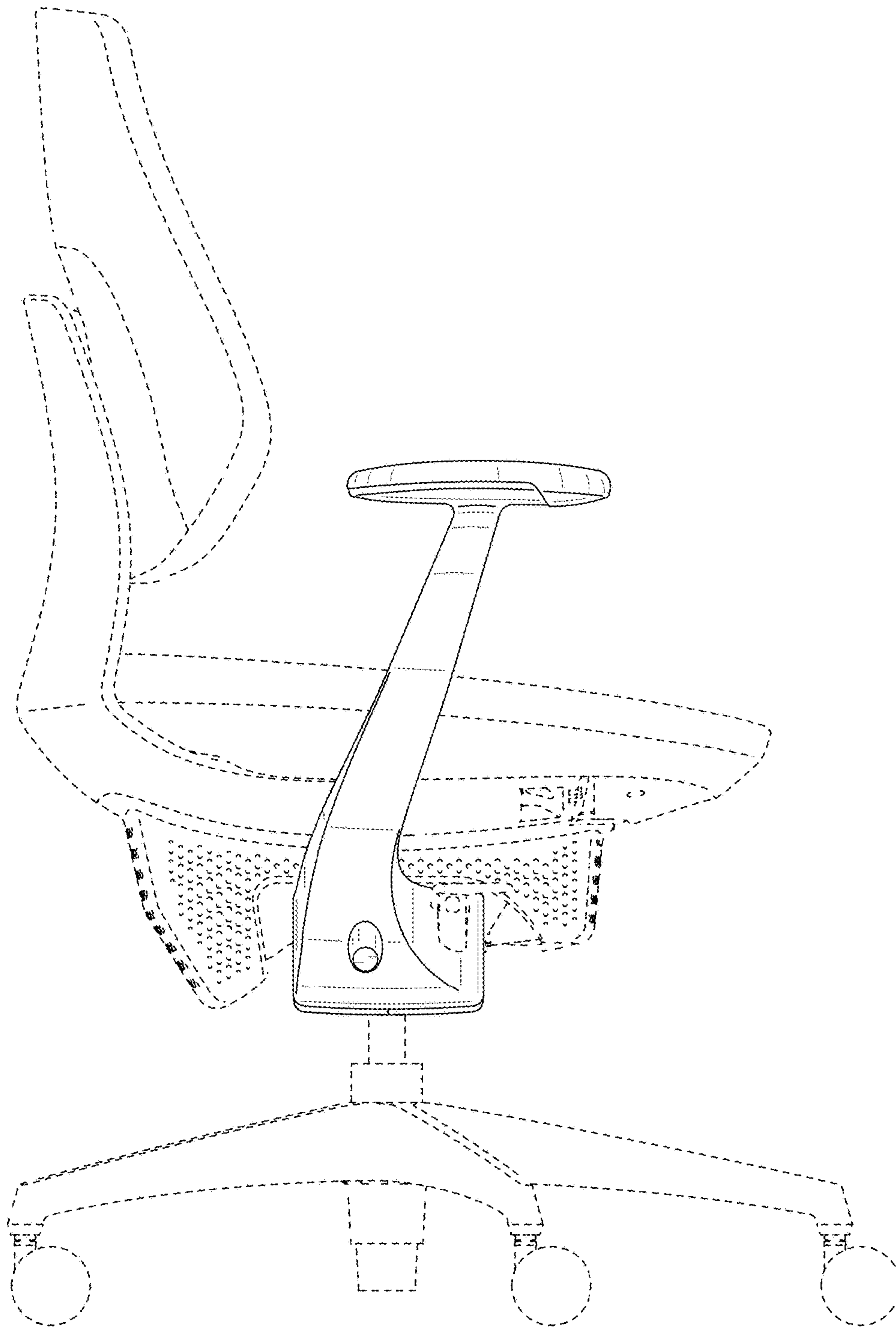


FIG. 7

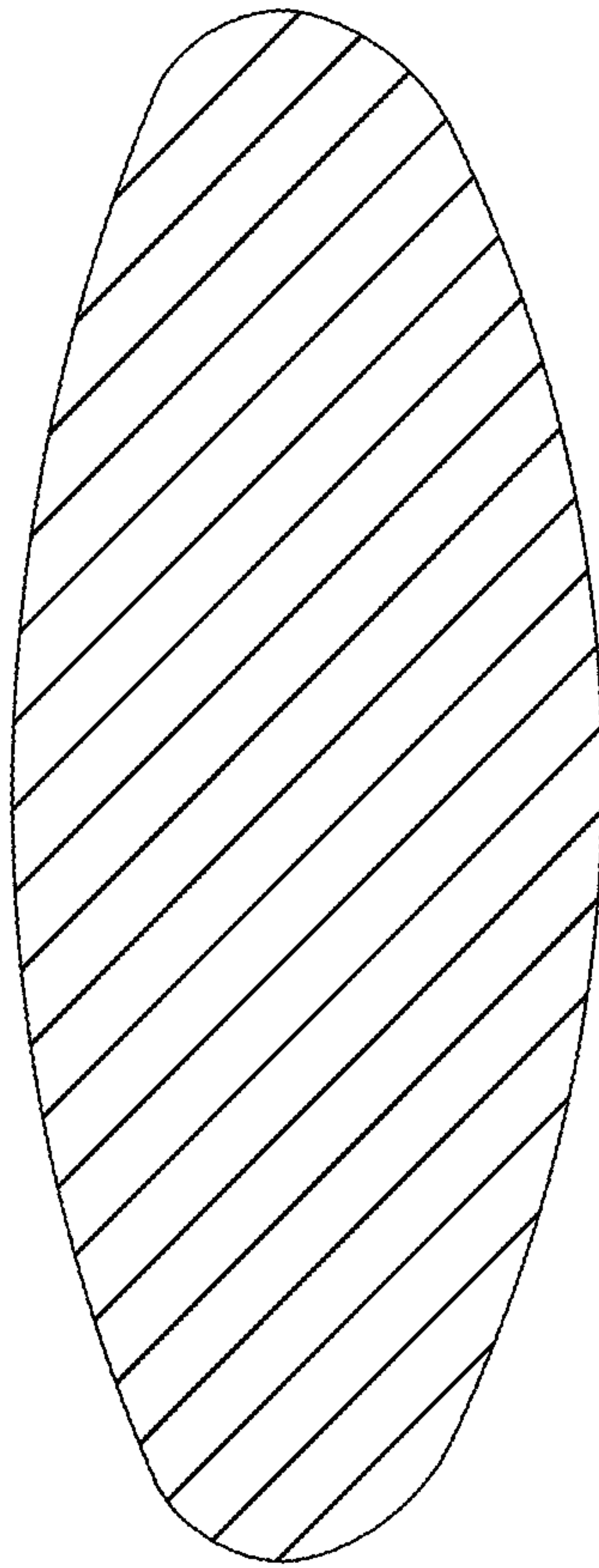


FIG. 8

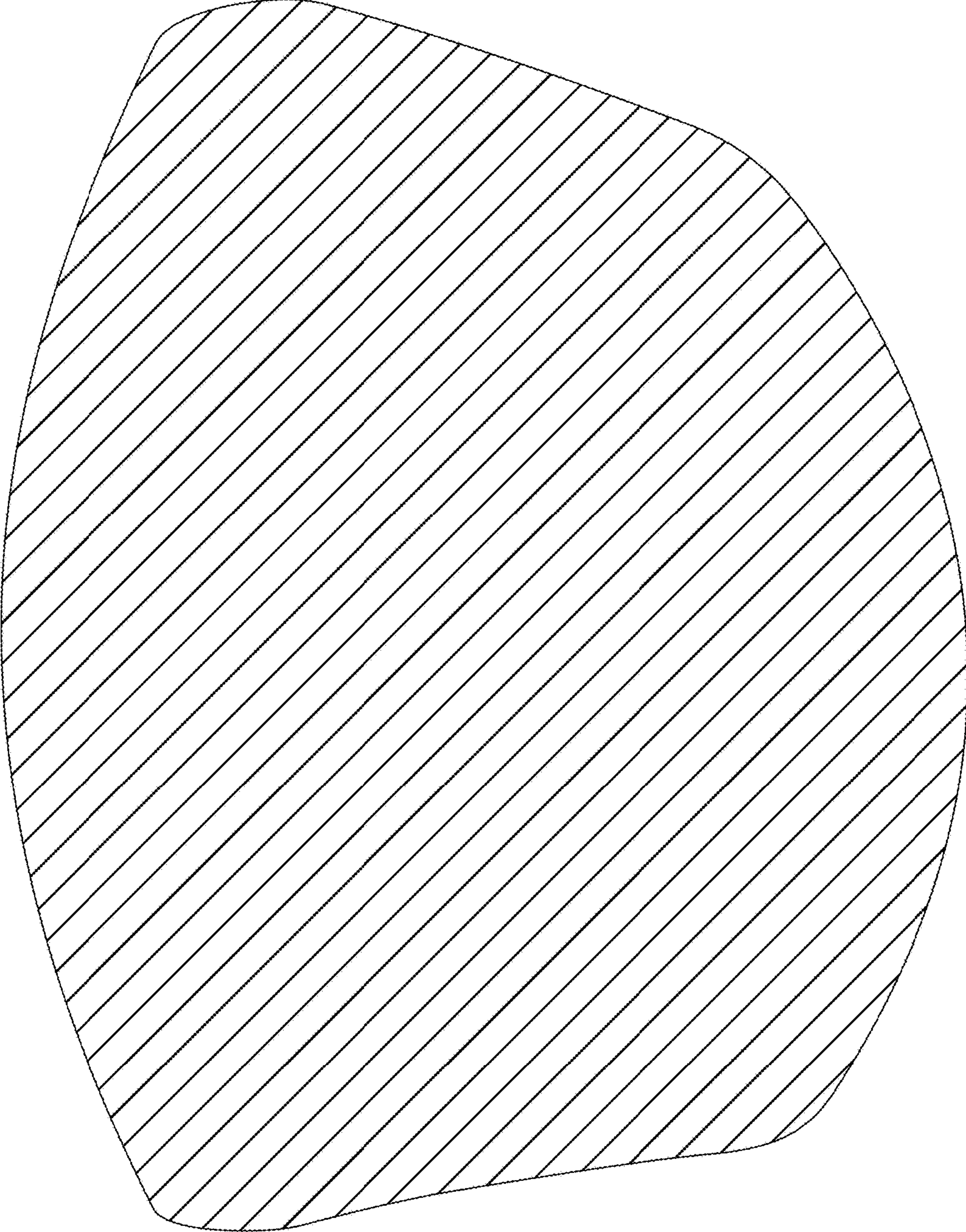


FIG. 9