



US00D865422S

(12) **United States Design Patent** (10) **Patent No.:** **US D865,422 S**  
**Pappas et al.** (45) **Date of Patent:** **\*\* Nov. 5, 2019**

(54) **LECTERN**

(71) Applicant: **Middle Atlantic Products, Inc.**,  
Fairfield, NJ (US)

(72) Inventors: **Andreas Pappas**, Butler, NJ (US);  
**Leszek Markowski**, Riverdale, NJ  
(US); **Dean B. Wheelan**, Pompton  
Lakes, NJ (US); **Megan Knedler**,  
Valley Cottage, NY (US)

(73) Assignee: **Legrand AV Inc.**, Fairfield, NJ (US)

(\*\*) Term: **15 Years**

(21) Appl. No.: **29/649,638**

(22) Filed: **May 31, 2018**

(51) **LOC (12) Cl.** ..... **06-06**

(52) **U.S. Cl.**  
USPC ..... **D6/700**

(58) **Field of Classification Search**  
USPC ..... D6/640, 641, 642, 643, 643.1, 644, 645,  
D6/647, 648, 649, 650, 652, 652.1, 652.2,  
D6/653, 653.1, 656.16, 656.17, 700,  
D6/708.24  
CPC . A47F 3/00; A47F 3/142; A47B 57/00; A47B  
57/30; A47B 57/40; A47B 87/00; E04B  
2/744; E04B 2/7407; E04B 2/7416; E04B  
2002/7483

See application file for complete search history.

(56) **References Cited**

**U.S. PATENT DOCUMENTS**

D99,391 S \* 4/1936 Hamilton ..... D6/652  
D183,572 S \* 9/1958 Keck ..... D6/337

(Continued)

**OTHER PUBLICATIONS**

InfoComm 2018, posted at Youtube.com, posted on Jun. 11, 2018,  
site visited Jul. 31, 2019. online, available from internet: <https://www.ravepubs.com/middle-atlantic-17-lectern-series-ada/> (Year: 2018).\*

*Primary Examiner* — Mary Ann Calabrese

*Assistant Examiner* — Catherine Ho

(74) *Attorney, Agent, or Firm* — Drinker Biddle & Reath  
LLP

(57) **CLAIM**

The ornamental design for a lectern, as shown and  
described.

**DESCRIPTION**

FIG. 1 is a top front perspective view of a lectern according  
to the present invention.

FIG. 2 is a bottom front perspective view of the lectern of  
FIG. 1.

FIG. 3 is a top rear perspective view of the lectern of FIG.  
1.

FIG. 4 is a top view of the lectern of FIG. 1.

FIG. 5 is a bottom view of the lectern of FIG. 1.

FIG. 6 is a left side view of the lectern of FIG. 1.

FIG. 7 is a right side view of the lectern of FIG. 1.

FIG. 8 is a front view of the lectern of FIG. 1.

FIG. 9 is a rear view of the lectern of FIG. 1.

FIG. 10 is a top front perspective view of another embodi-  
ment of a lectern according to the present invention.

FIG. 11 is a bottom front perspective view of the lectern of  
FIG. 10.

FIG. 12 is a top rear perspective view of the lectern of FIG.  
10.

FIG. 13 is a top view of the lectern of FIG. 10.

FIG. 14 is a bottom view of the lectern of FIG. 10.

FIG. 15 is a left side view of the lectern of FIG. 10.

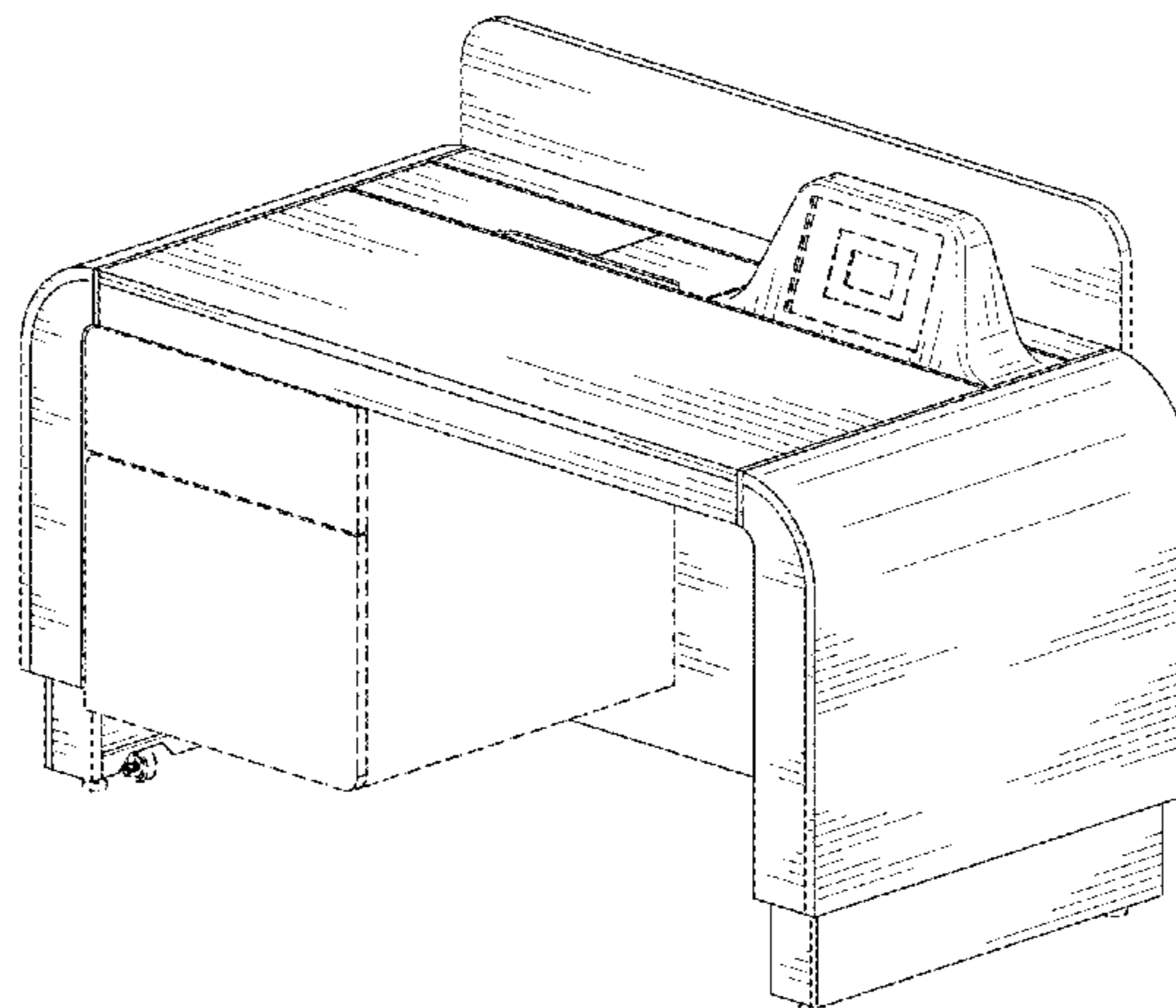
FIG. 16 is a right side view of the lectern of FIG. 10.

FIG. 17 is a front view of the lectern of FIG. 10; and,

FIG. 18 is a rear view of the lectern of FIG. 10.

The portions of the drawings appearing in broken lines are  
for environment only and do not form a part of the claimed  
design.

**1 Claim, 16 Drawing Sheets**



(56)

**References Cited**

U.S. PATENT DOCUMENTS

D288,571 S \* 3/1987 VanderWerf ..... D16/225  
D306,535 S \* 3/1990 Evenson ..... D6/700  
5,087,010 A \* 2/1992 Walters ..... H04N 5/64  
248/455  
D482,900 S \* 12/2003 DeJule ..... D6/700  
6,663,200 B1 \* 12/2003 James ..... A47B 19/00  
312/140.2  
D496,537 S \* 9/2004 Monsalve ..... D6/653  
D553,875 S \* 10/2007 Traun ..... D6/700  
D688,904 S \* 9/2013 Chan ..... D6/700  
D796,879 S \* 9/2017 Aldridge ..... D6/700

\* cited by examiner

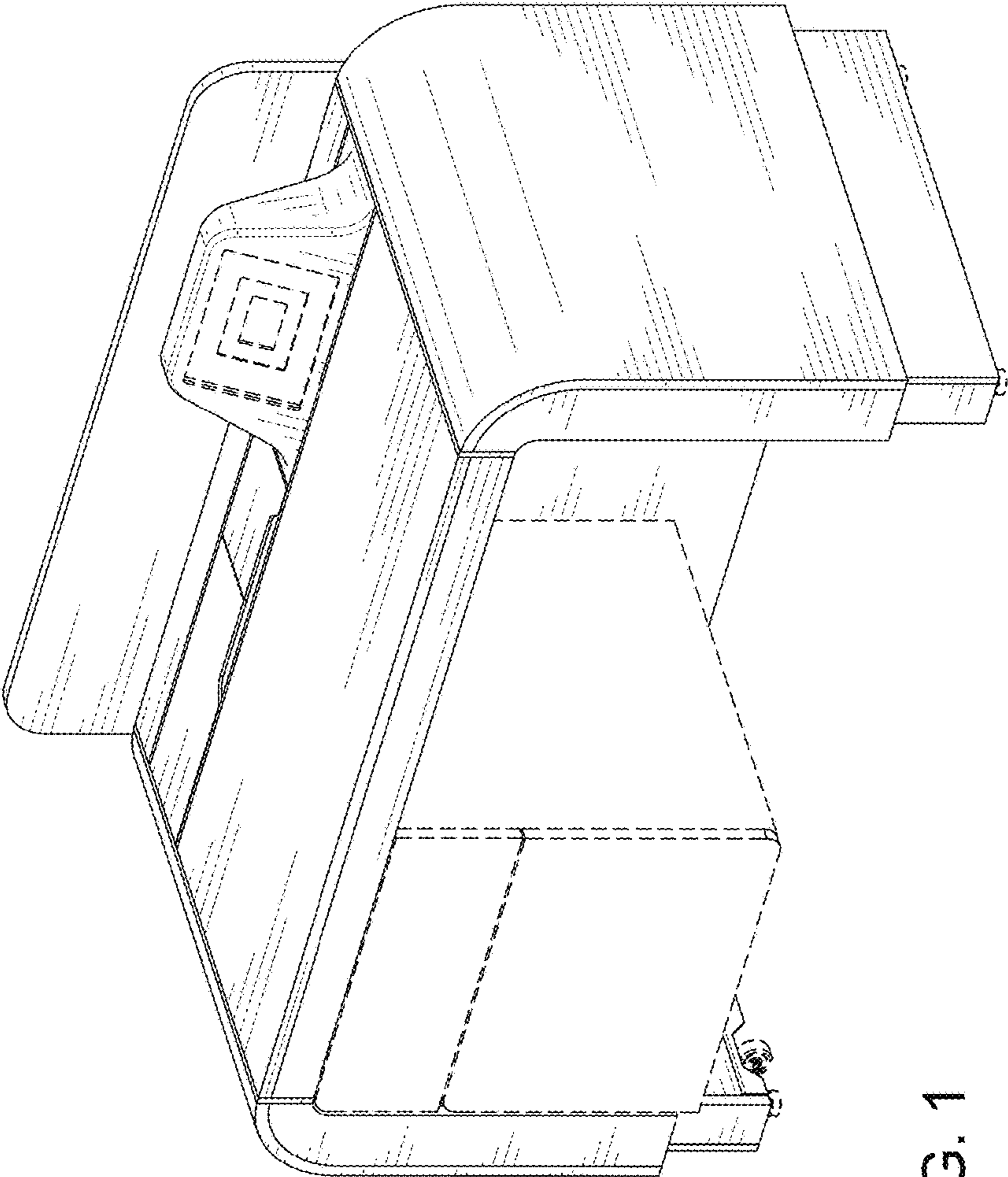


FIG. 1

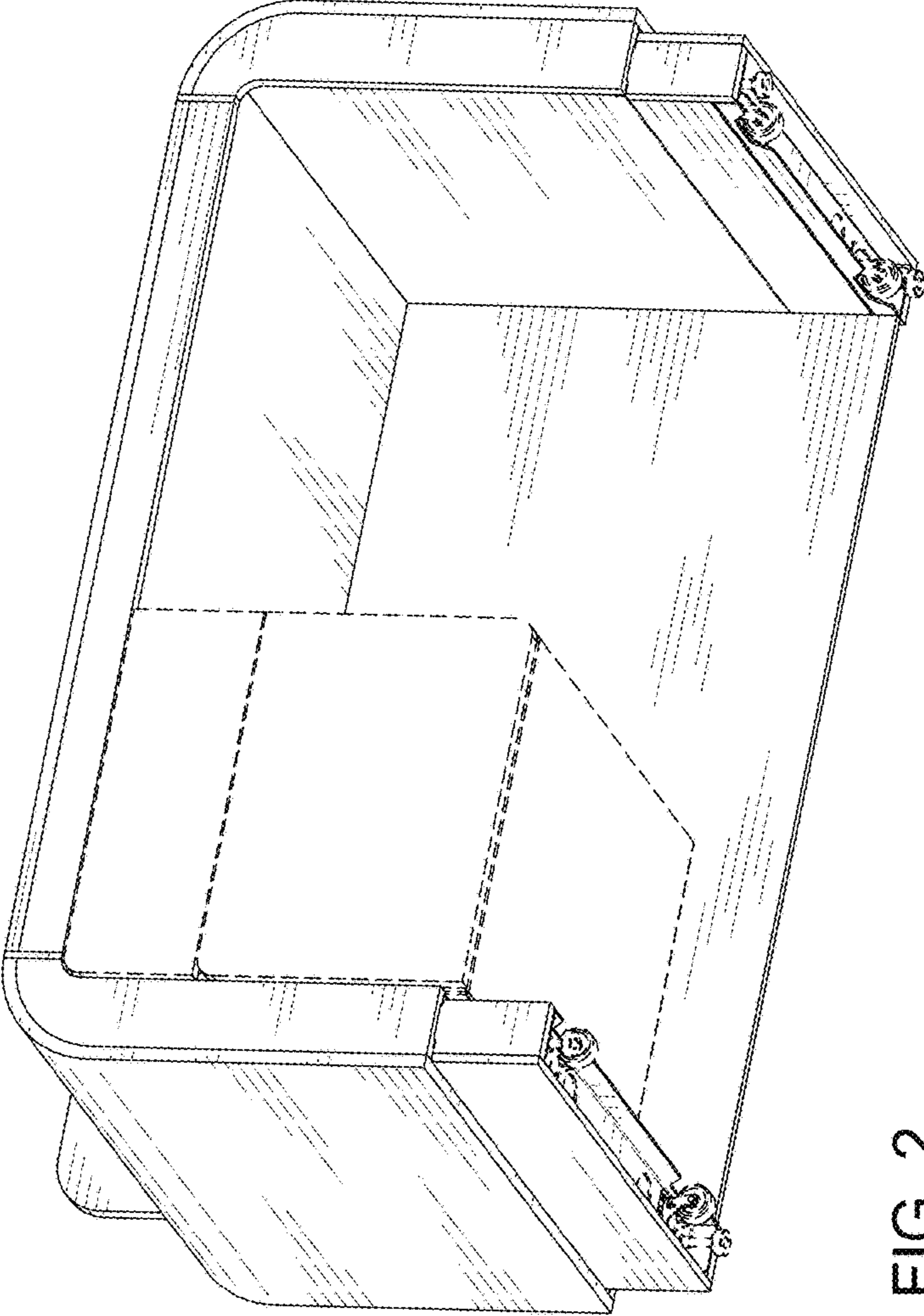


FIG. 2

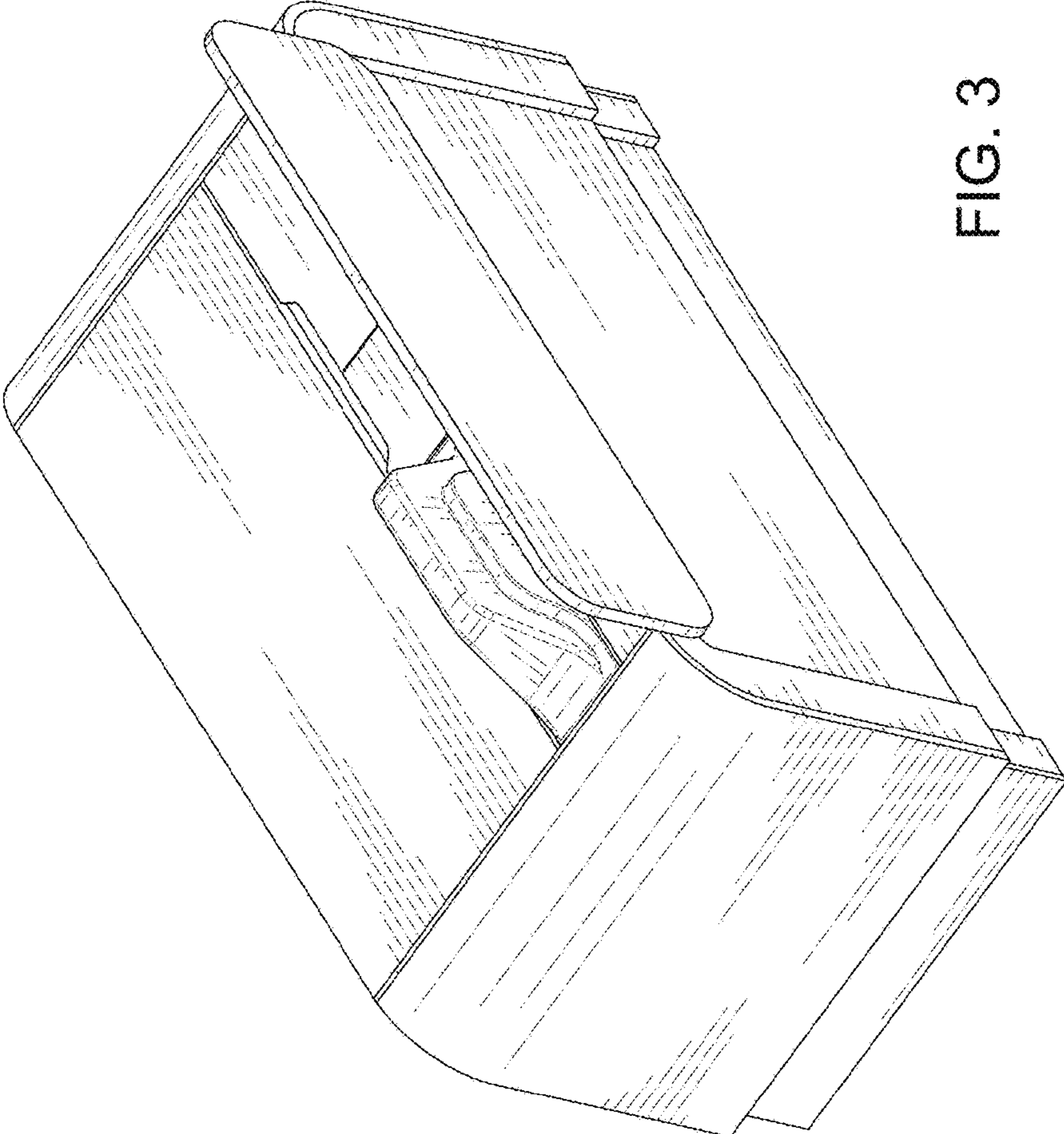


FIG. 3

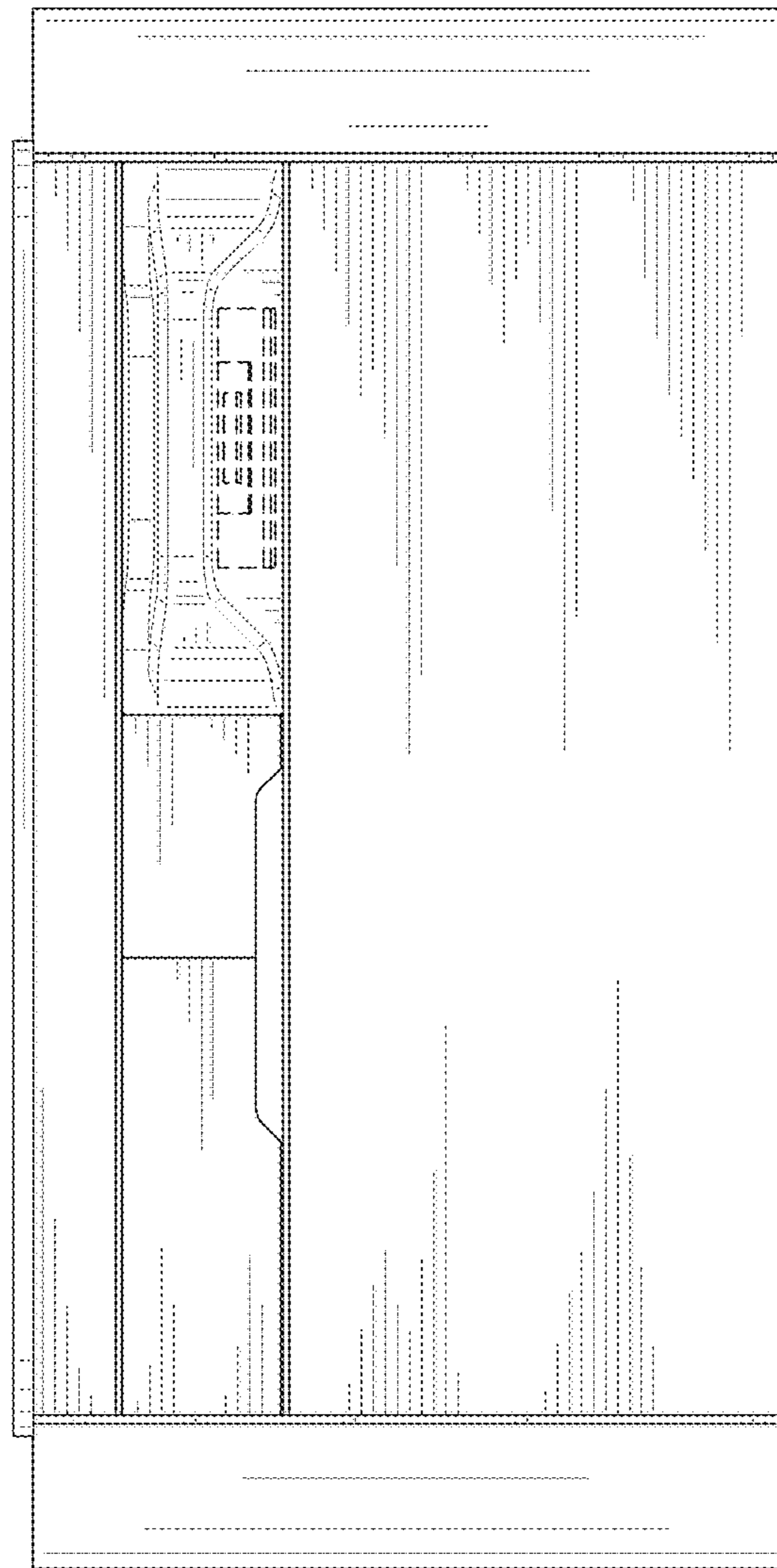


FIG. 4

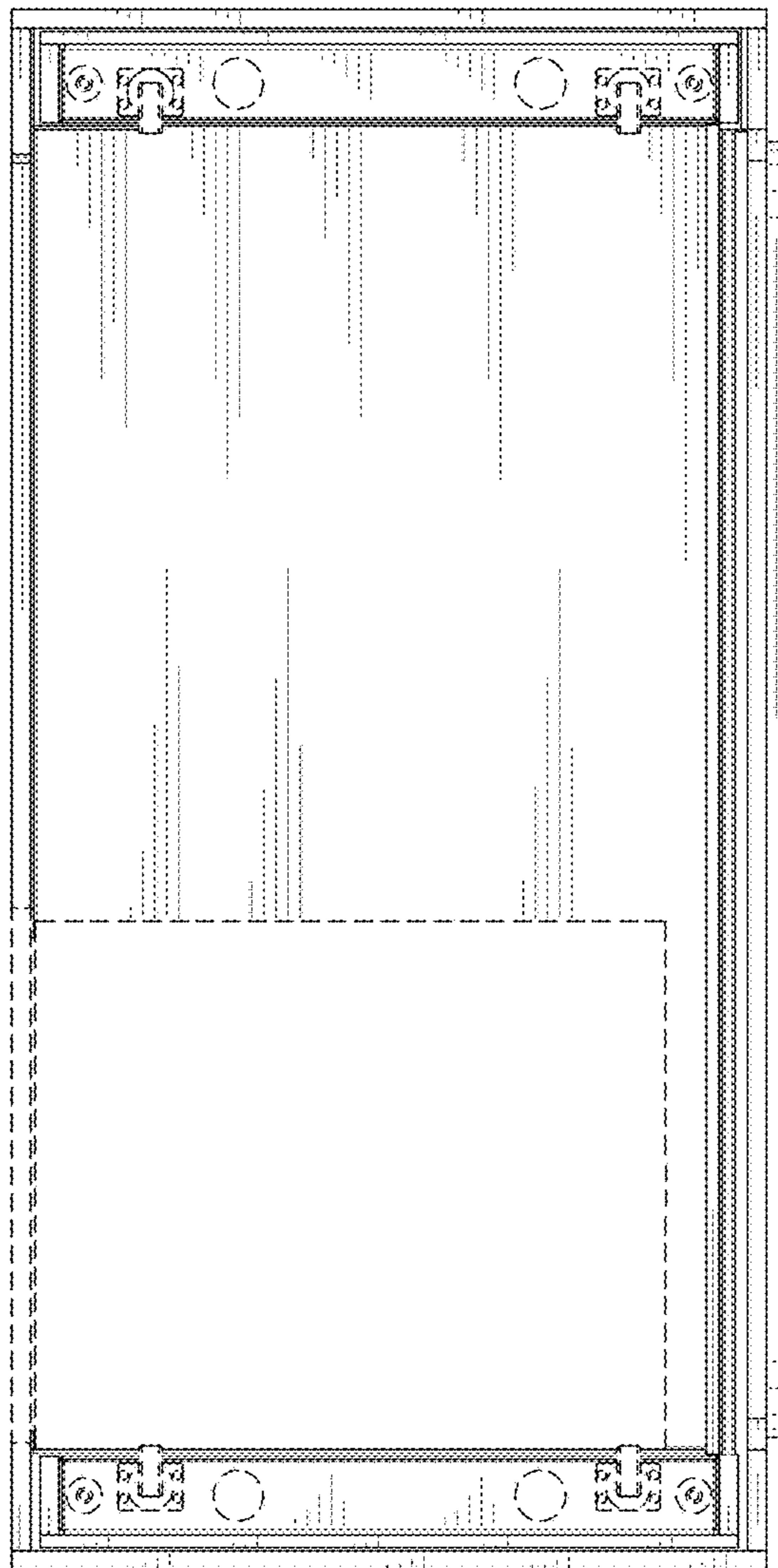


FIG. 5

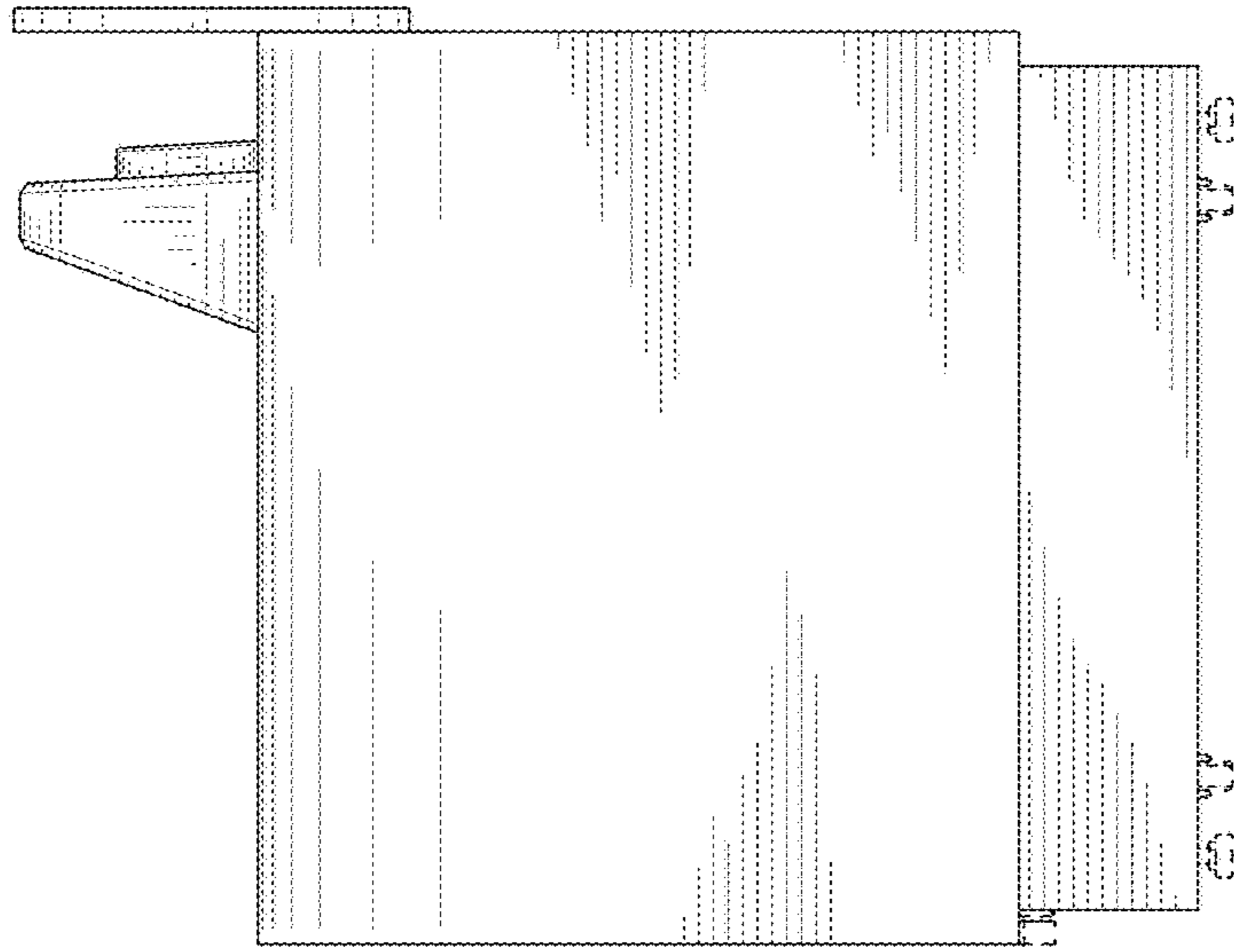


FIG. 7

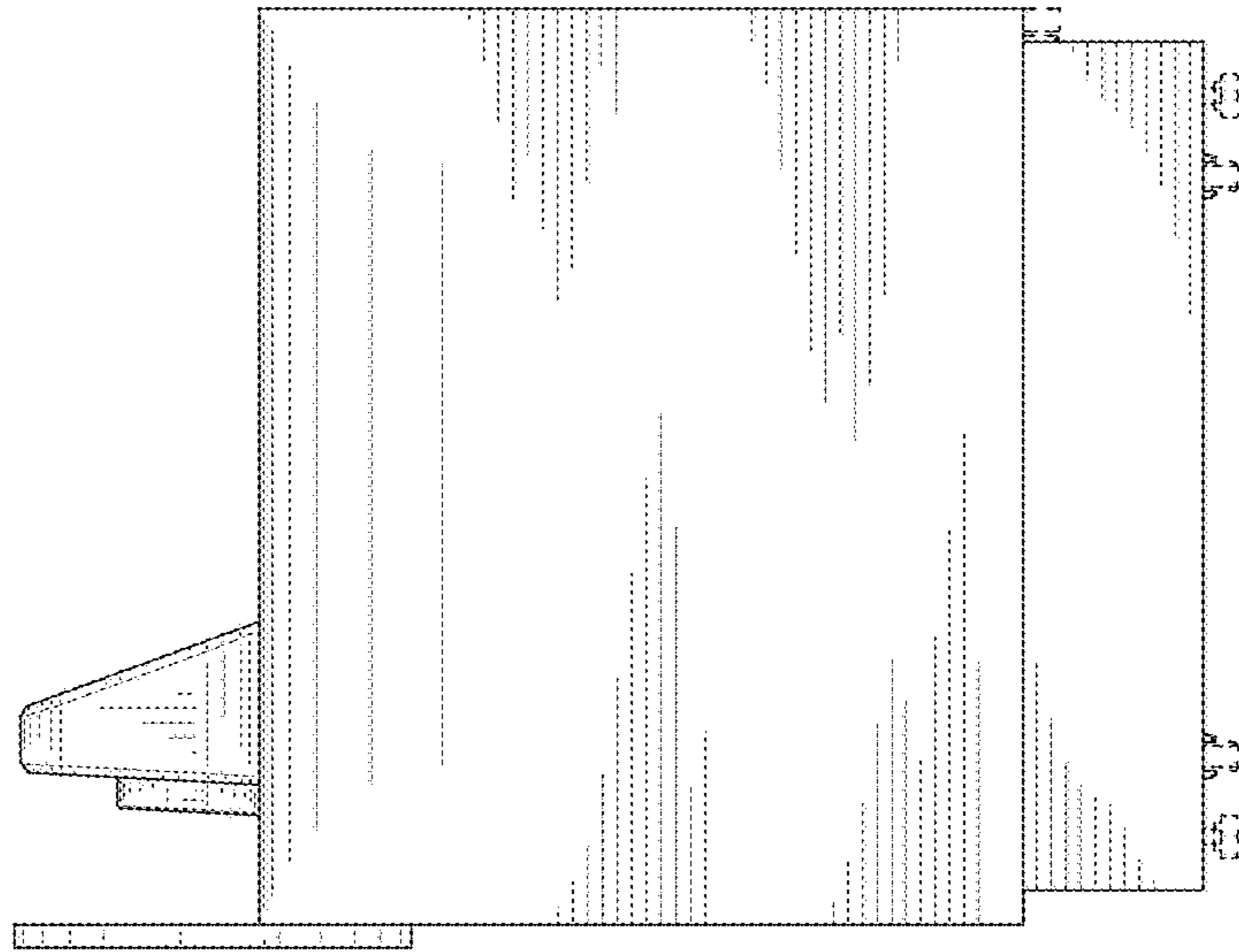


FIG. 6



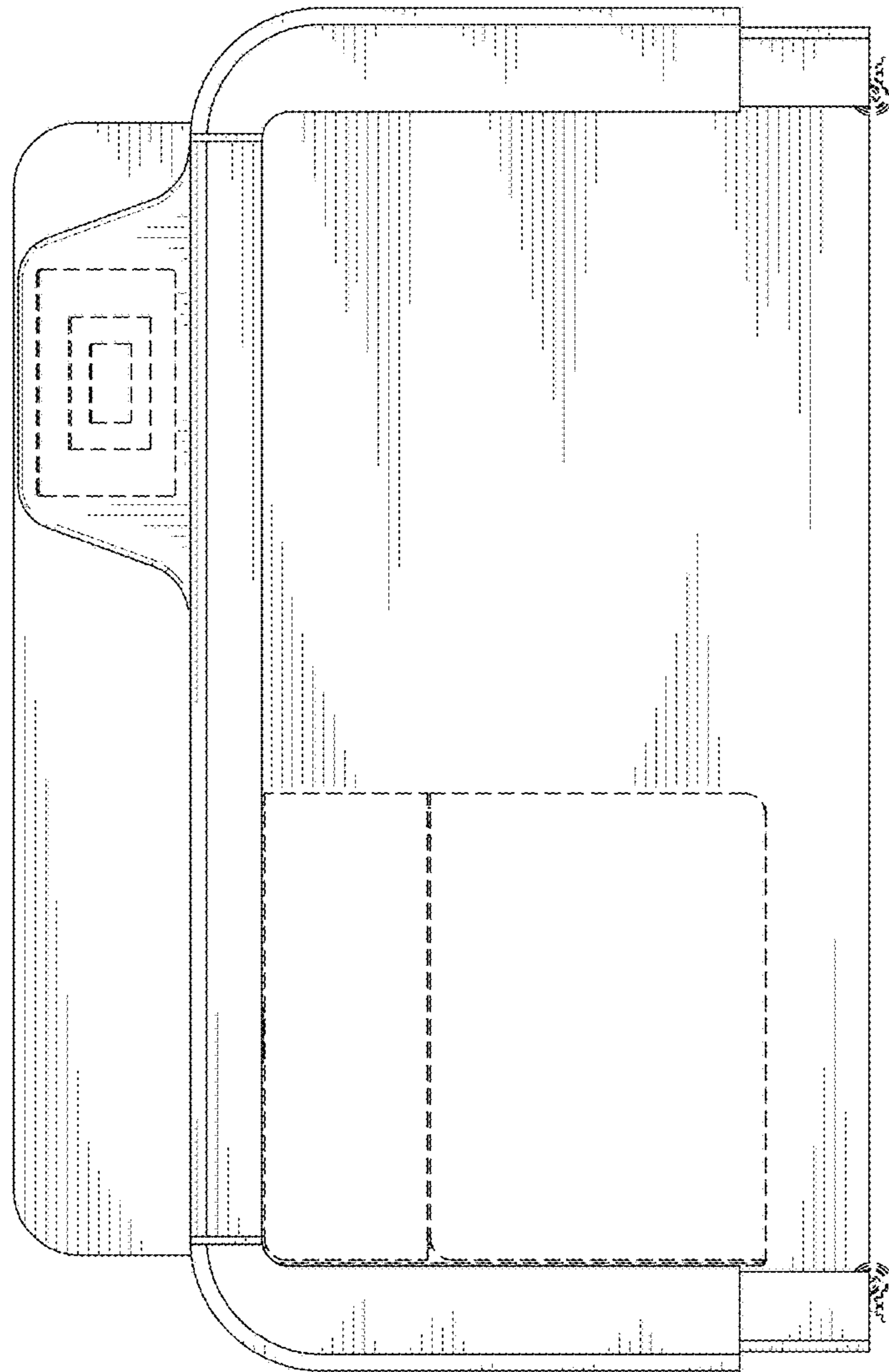


FIG. 8

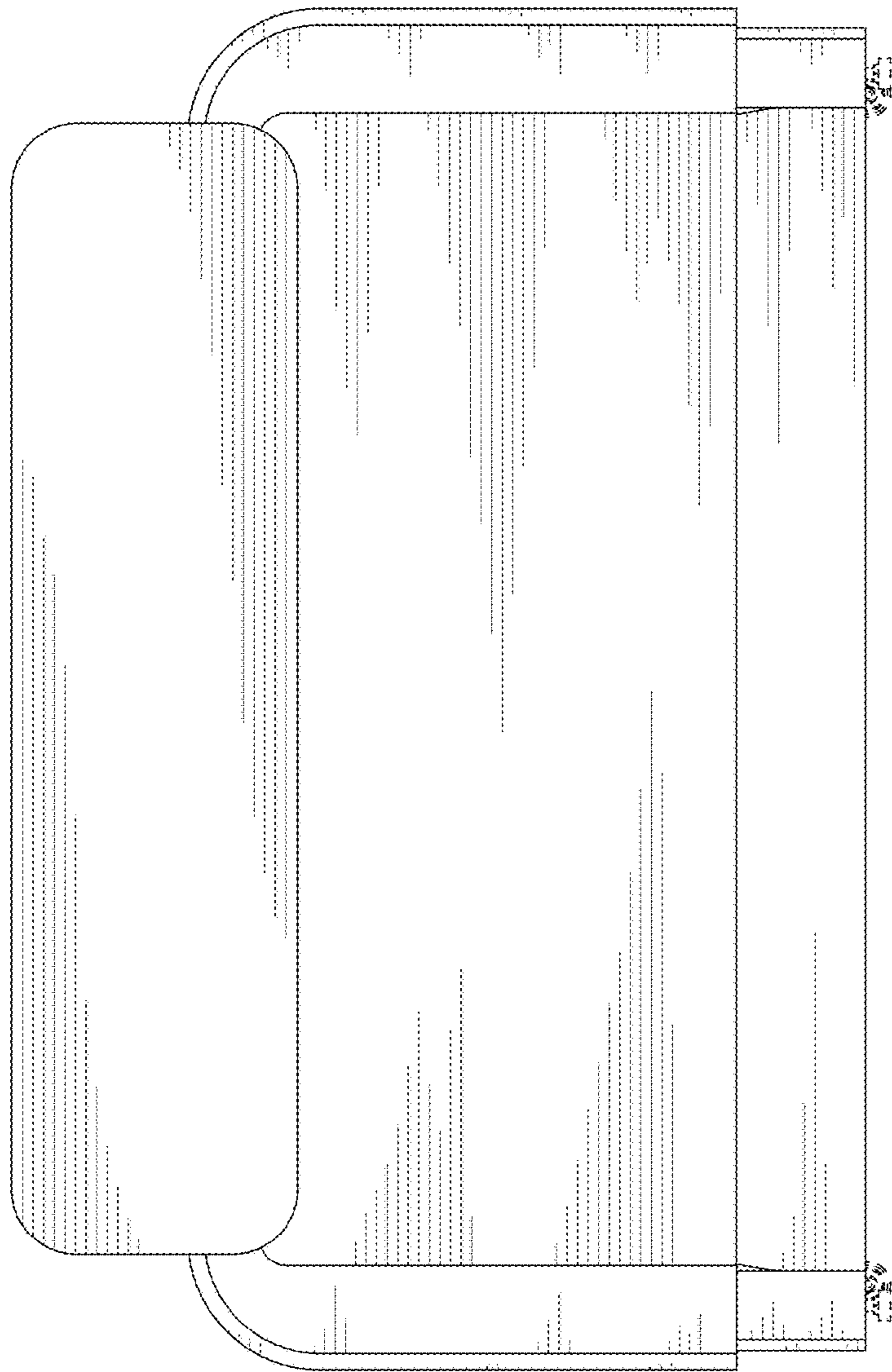


FIG. 9

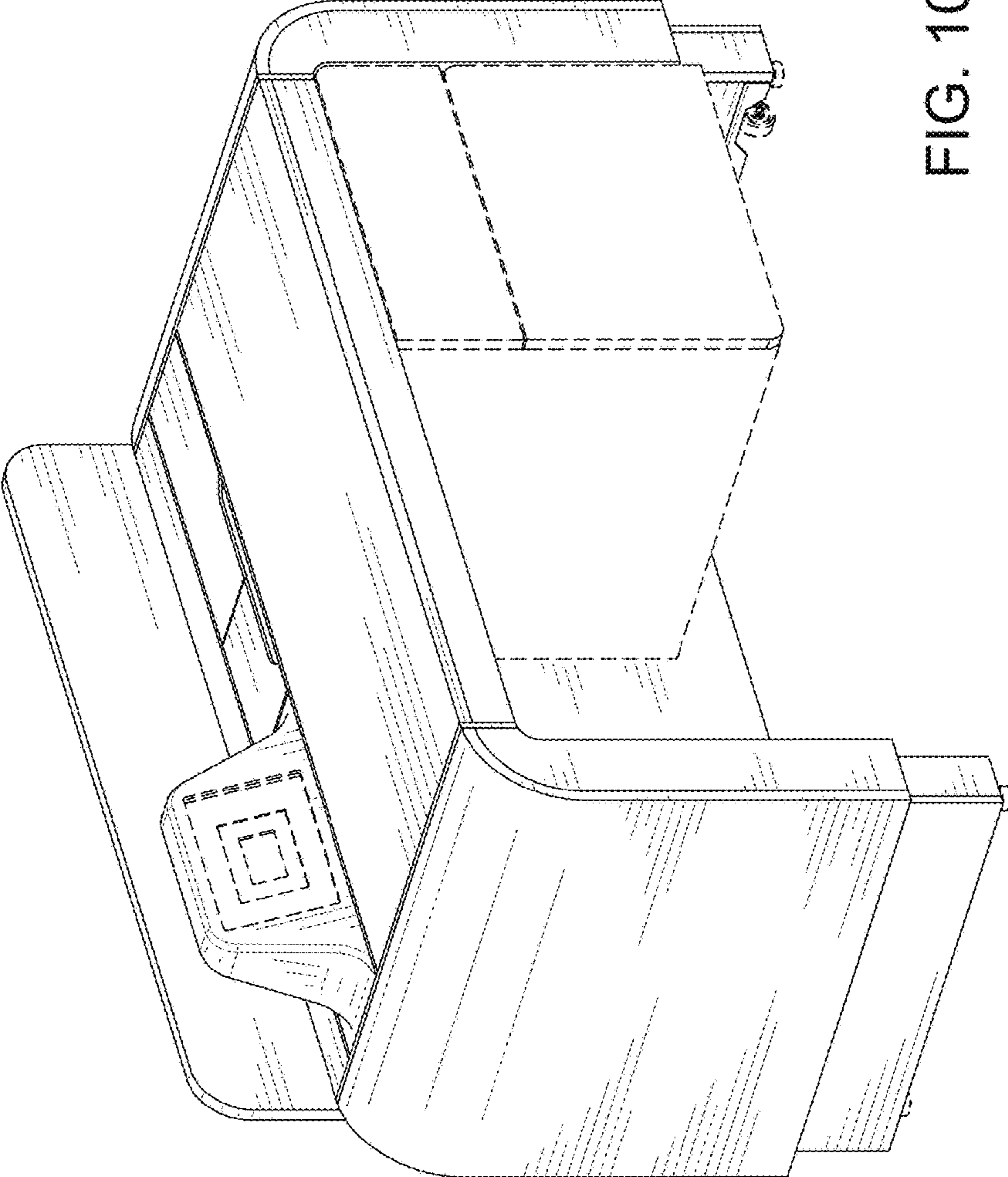


FIG. 10

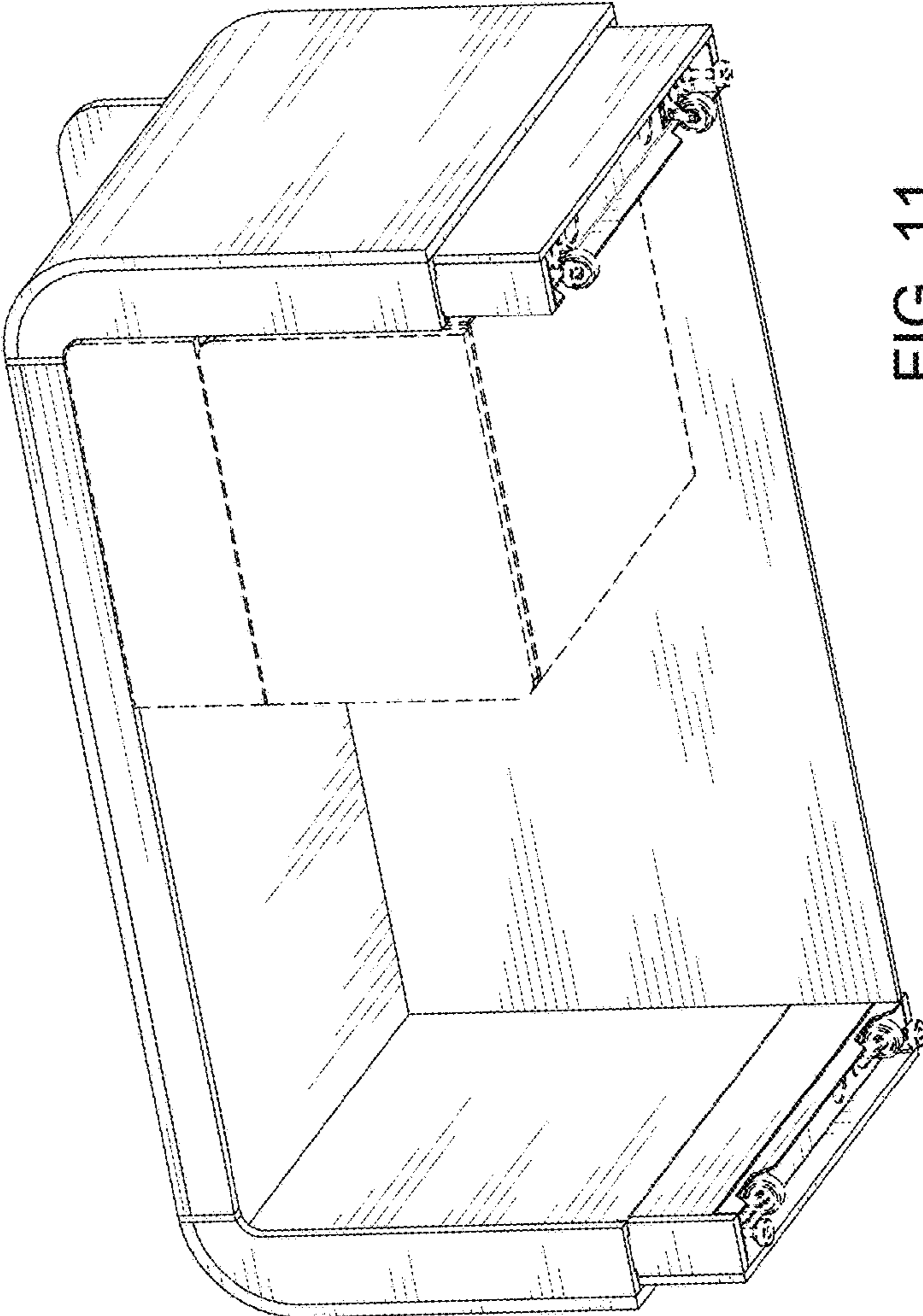


FIG. 11

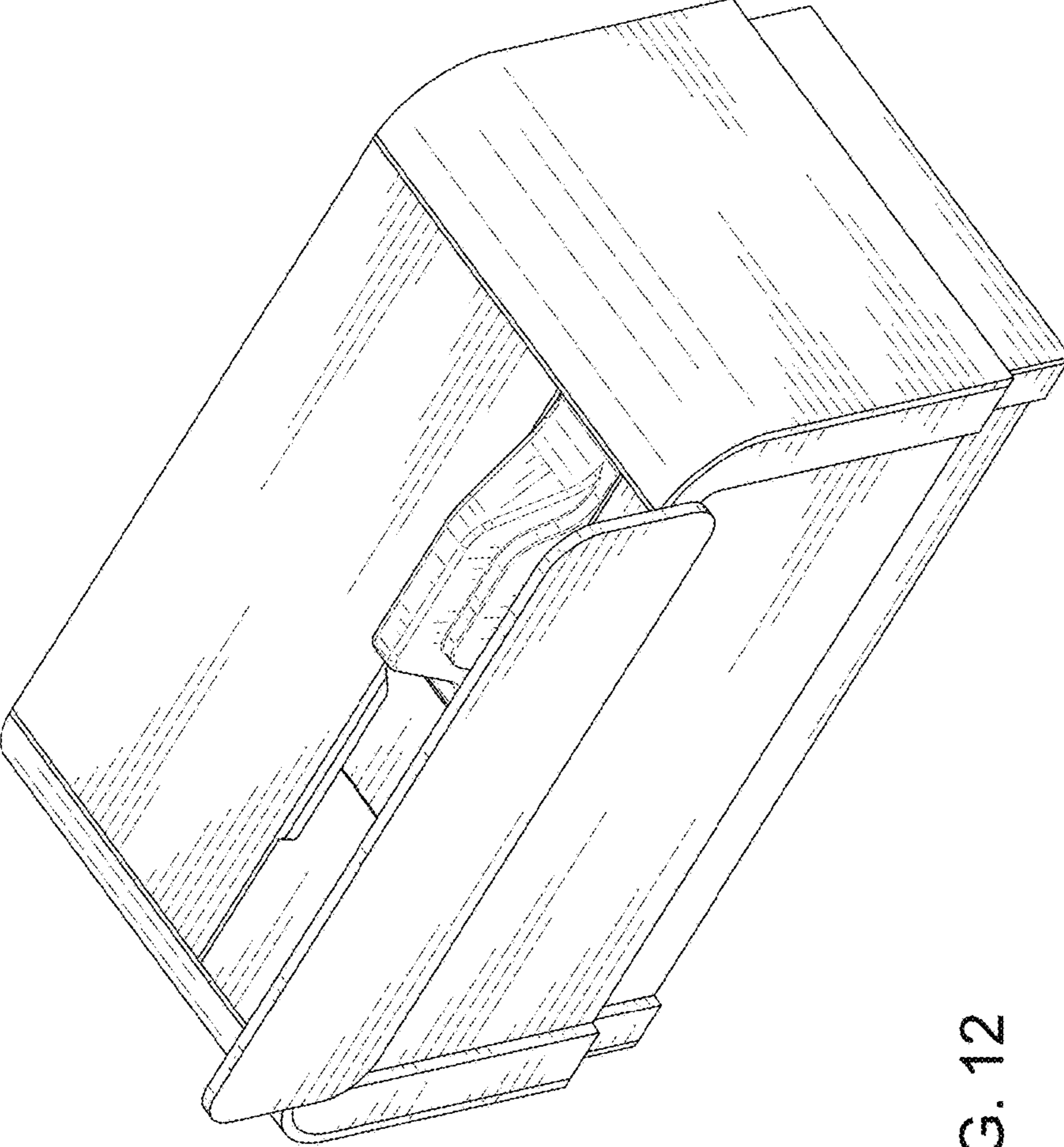


FIG. 12

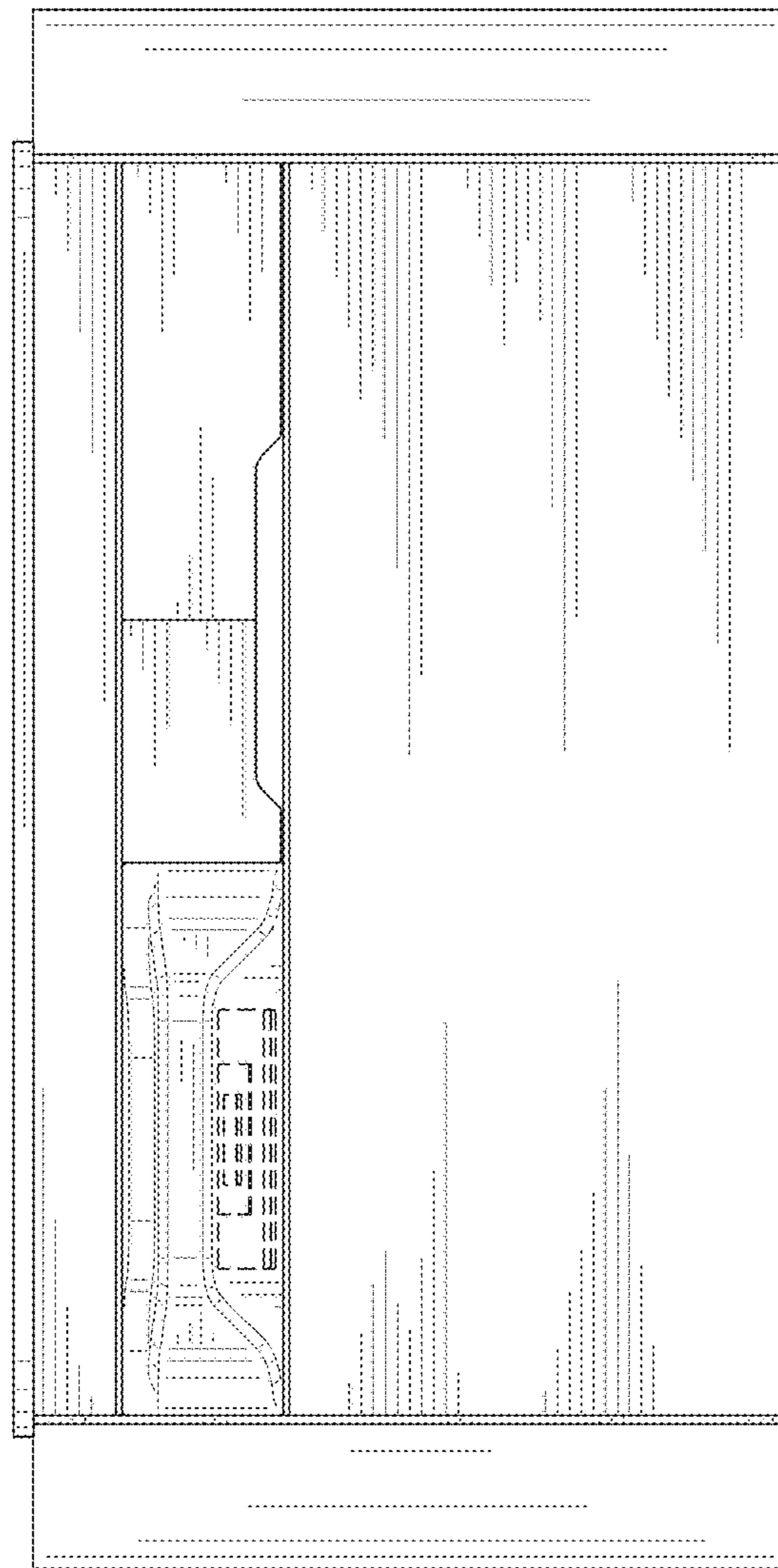


FIG. 13

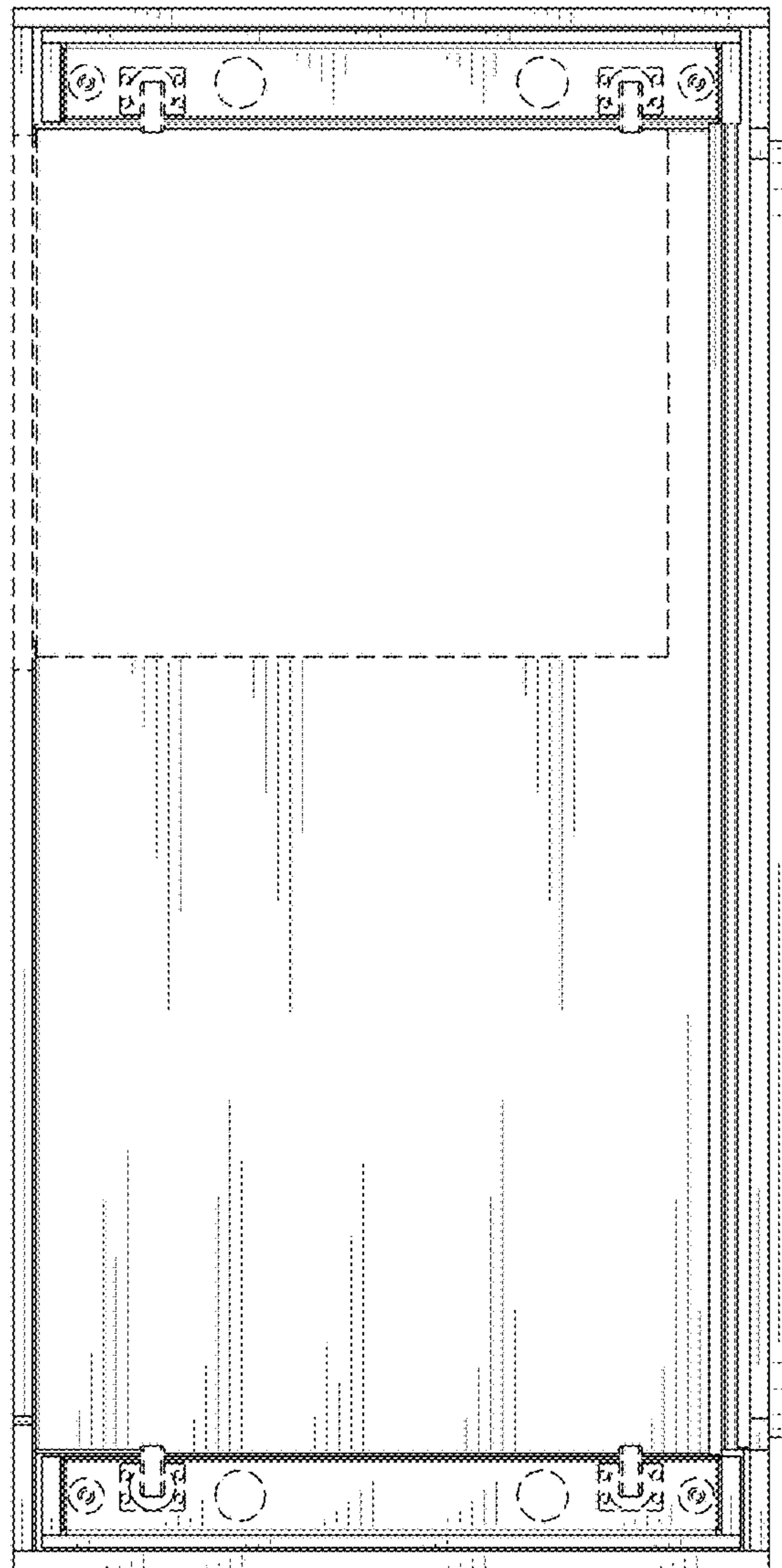


FIG. 14

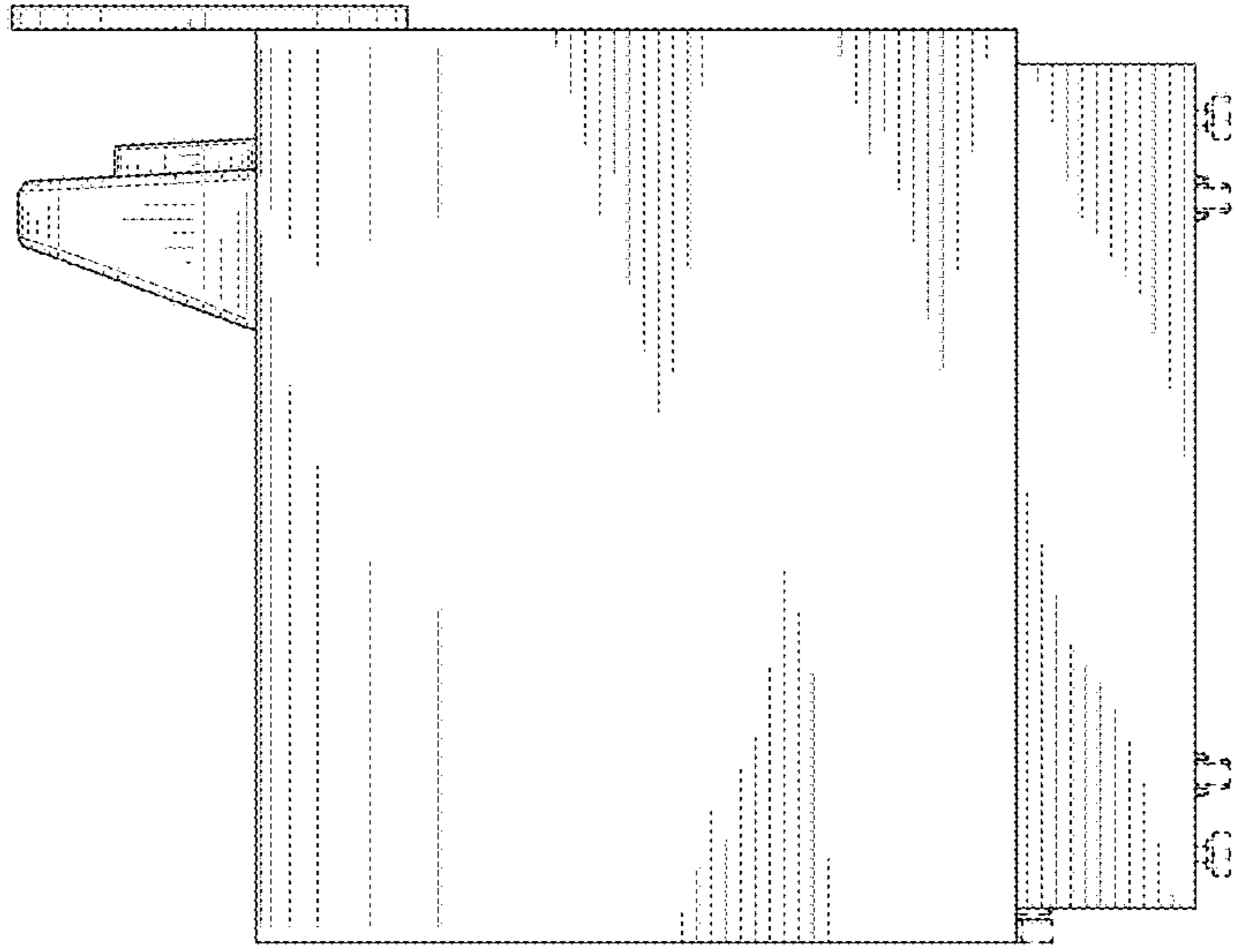


FIG. 15

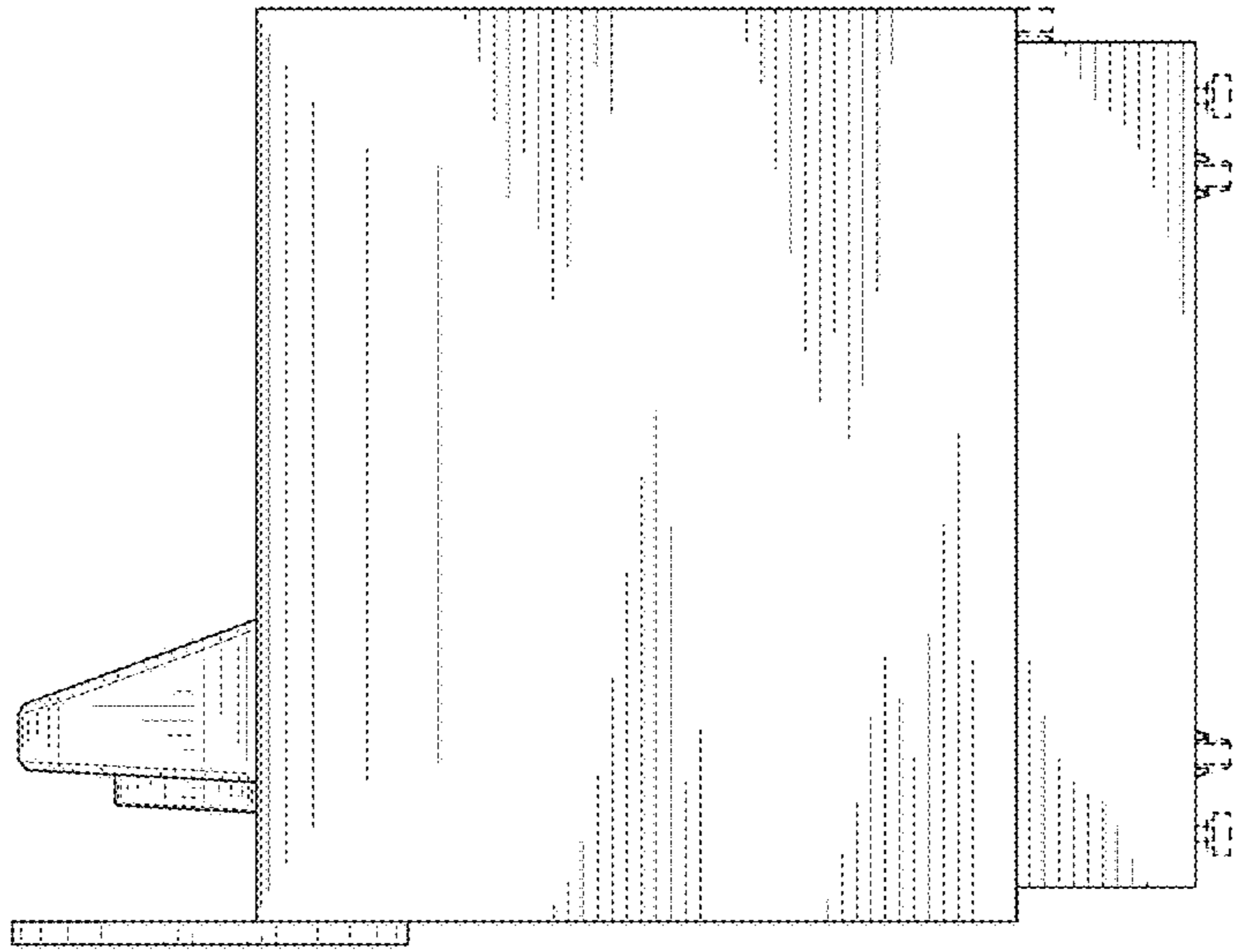


FIG. 16



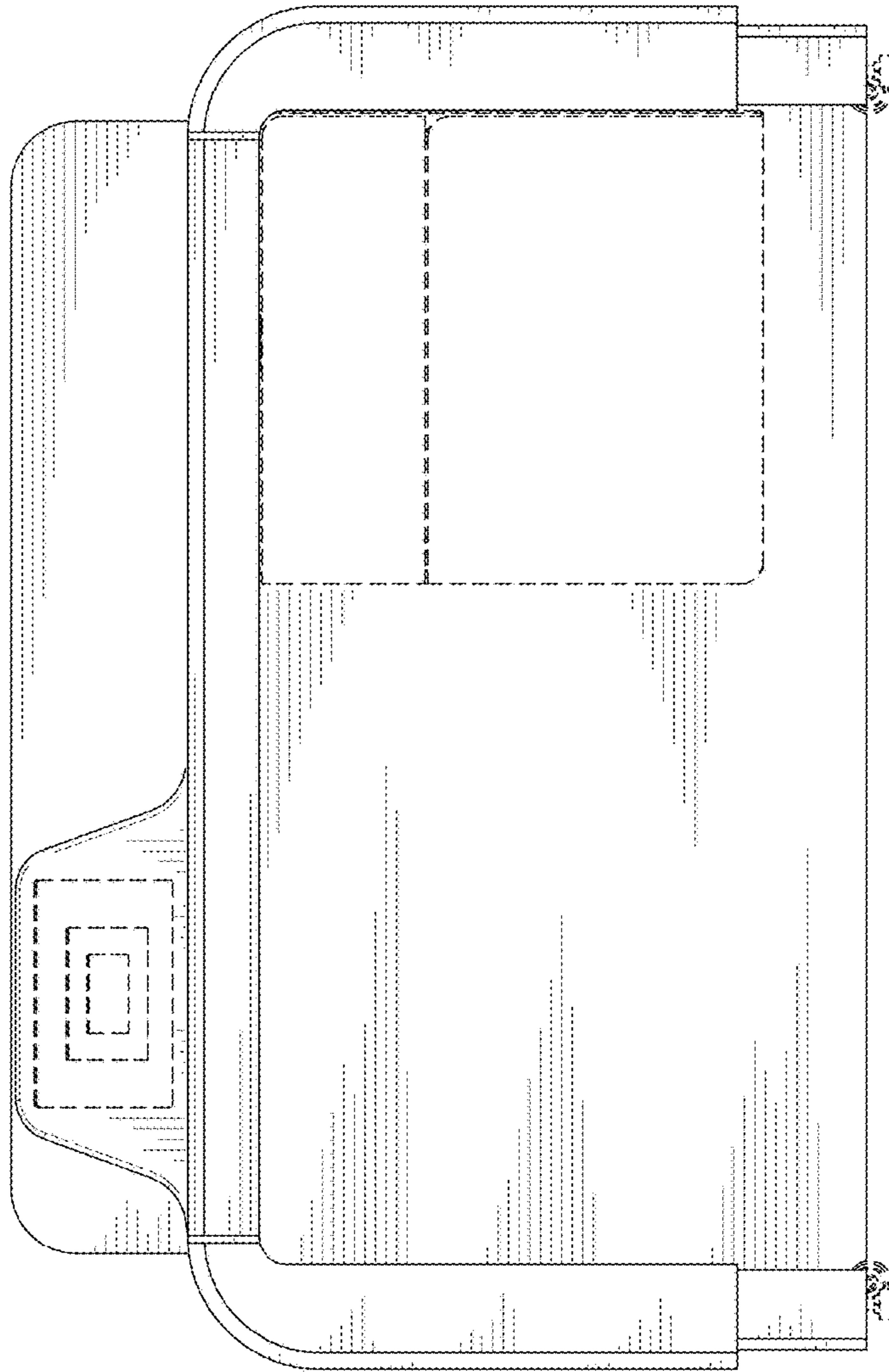


FIG. 17

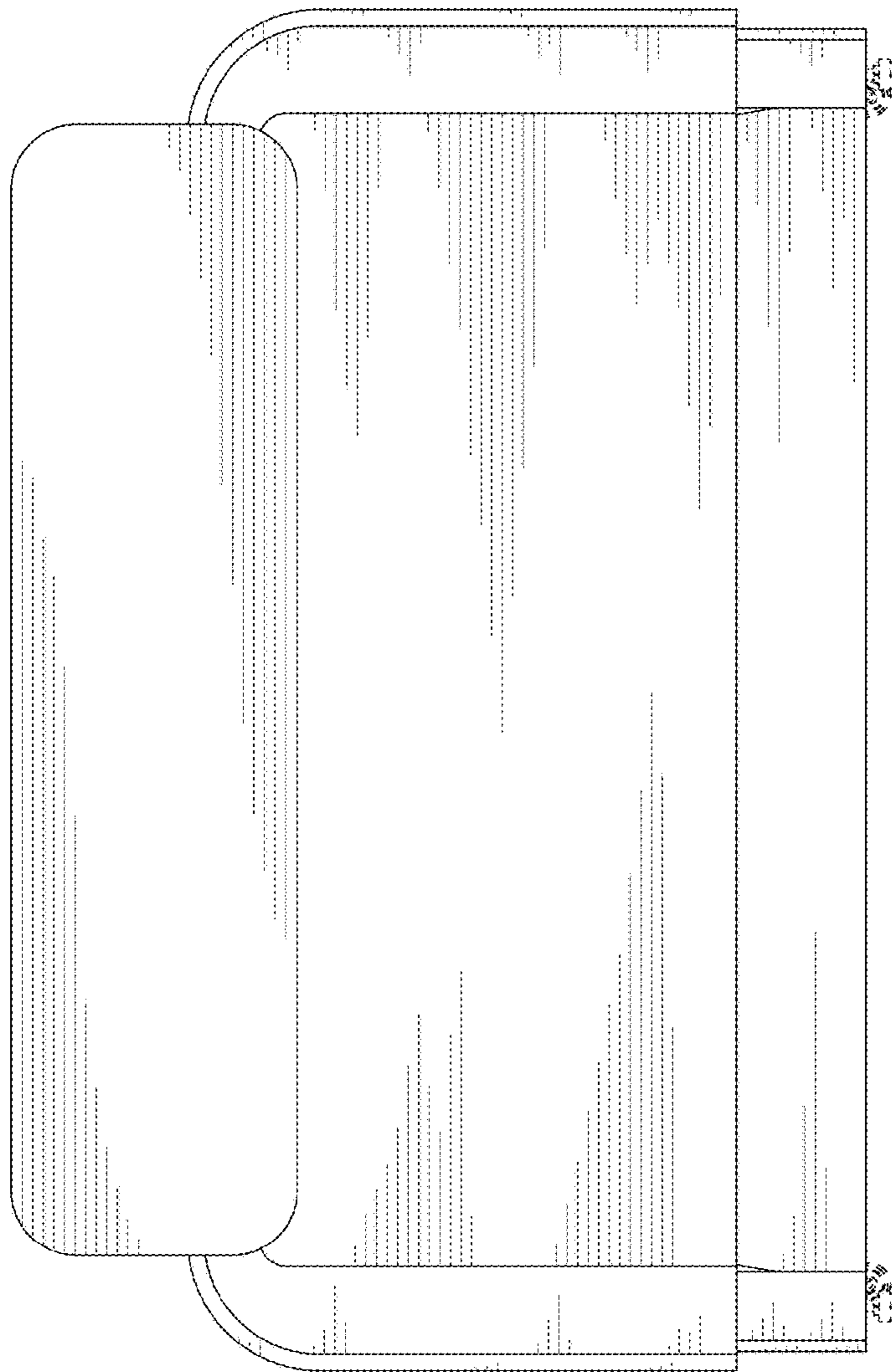


FIG. 18