



US00D865421S

(12) **United States Design Patent** (10) **Patent No.:** **US D865,421 S**  
**Hendifar et al.** (45) **Date of Patent:** **\*\* \*Nov. 5, 2019**

(54) **TABLE** 5,483,904 A \* 1/1996 Kelly ..... A47B 13/08  
108/156  
(71) Applicant: **APPARATUS, LLC**, New York, NY D470,346 S \* 2/2003 Stanton ..... D6/688.11  
(US) 2003/0215375 A1\* 11/2003 Peddicord ..... A47B 13/02  
422/275

(72) Inventors: **Gabriel Hendifar**, Rhinebeck, NY  
(US); **Jeremy R. Anderson**, New York,  
NY (US)

(73) Assignee: **APPARATUS LLC**, New York, NY  
(US)

(\*) Notice: This patent is subject to a terminal disclaimer.

(\*\*) Term: **15 Years**

(21) Appl. No.: **29/639,880**

(22) Filed: **Mar. 9, 2018**

(51) **LOC (12) Cl.** ..... **06-03**

(52) **U.S. Cl.**  
USPC ..... **D6/692**

(58) **Field of Classification Search**  
USPC ..... D6/349, 641, 685, 686, 690, 692, 696,  
D6/696.1-696.7, 697, 697.1, 697.2  
CPC ..... A47B 7/00; A47B 13/00; A47B 13/02;  
A47B 13/04; A47B 13/06; A47B 13/08;  
A47B 13/12; A47B 21/00; A47B  
2200/0001; A47B 2200/0011; A47B  
2200/002

See application file for complete search history.

(56) **References Cited**

**U.S. PATENT DOCUMENTS**

D249,855 S \* 10/1978 Levell ..... D6/692  
D300,886 S \* 5/1989 Johnson, Jr. .... A47B 13/02  
D6/403

**OTHER PUBLICATIONS**

PARS Cocktail table—ApparatusStudio.com <https://apparatusstudio.com/products/pars/> retrieved from the internet on Aug. 1, 2019.\*

\* cited by examiner

*Primary Examiner* — Mary Ann Calabrese  
(74) *Attorney, Agent, or Firm* — Gottlieb, Rackman & Reisman, P.C.

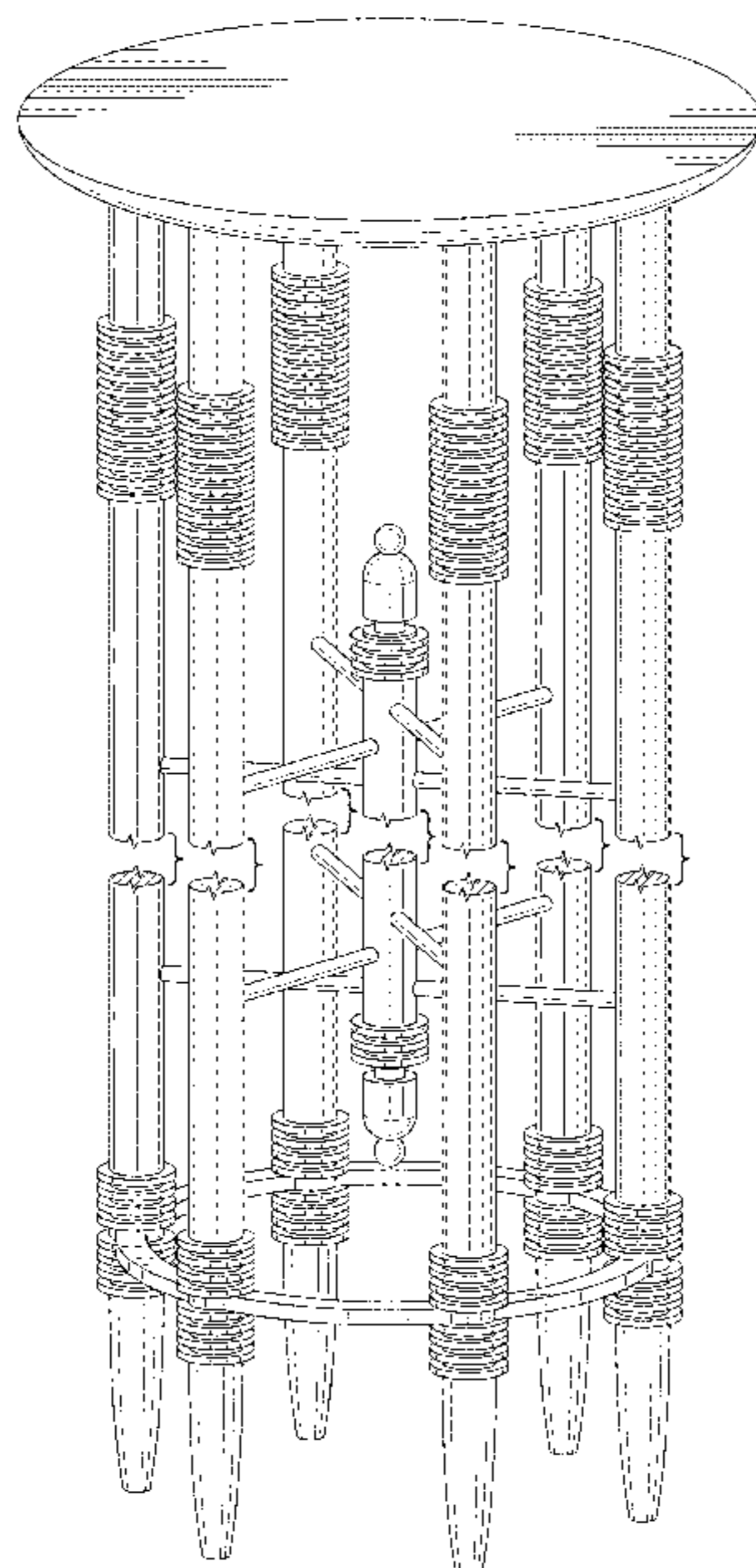
(57) **CLAIM**

The ornamental design for a table, as shown and described.

**DESCRIPTION**

FIG. 1 is a perspective view showing our new design; FIG. 2 is a front elevational view thereof; FIG. 3 is a rear elevational view thereof; FIG. 4 is a left side elevational view thereof; FIG. 5 is a right side elevational view thereof; FIG. 6 is top plan view thereof; and, FIG. 7 is a bottom plan view thereof. The break lines in FIGS. 1-5 are to indicate that the appearance of any portion of the table between the break lines forms no part of the claimed design. The broken lines in FIG. 7 illustrate portions of the table that form no part of the claimed design.

**1 Claim, 7 Drawing Sheets**



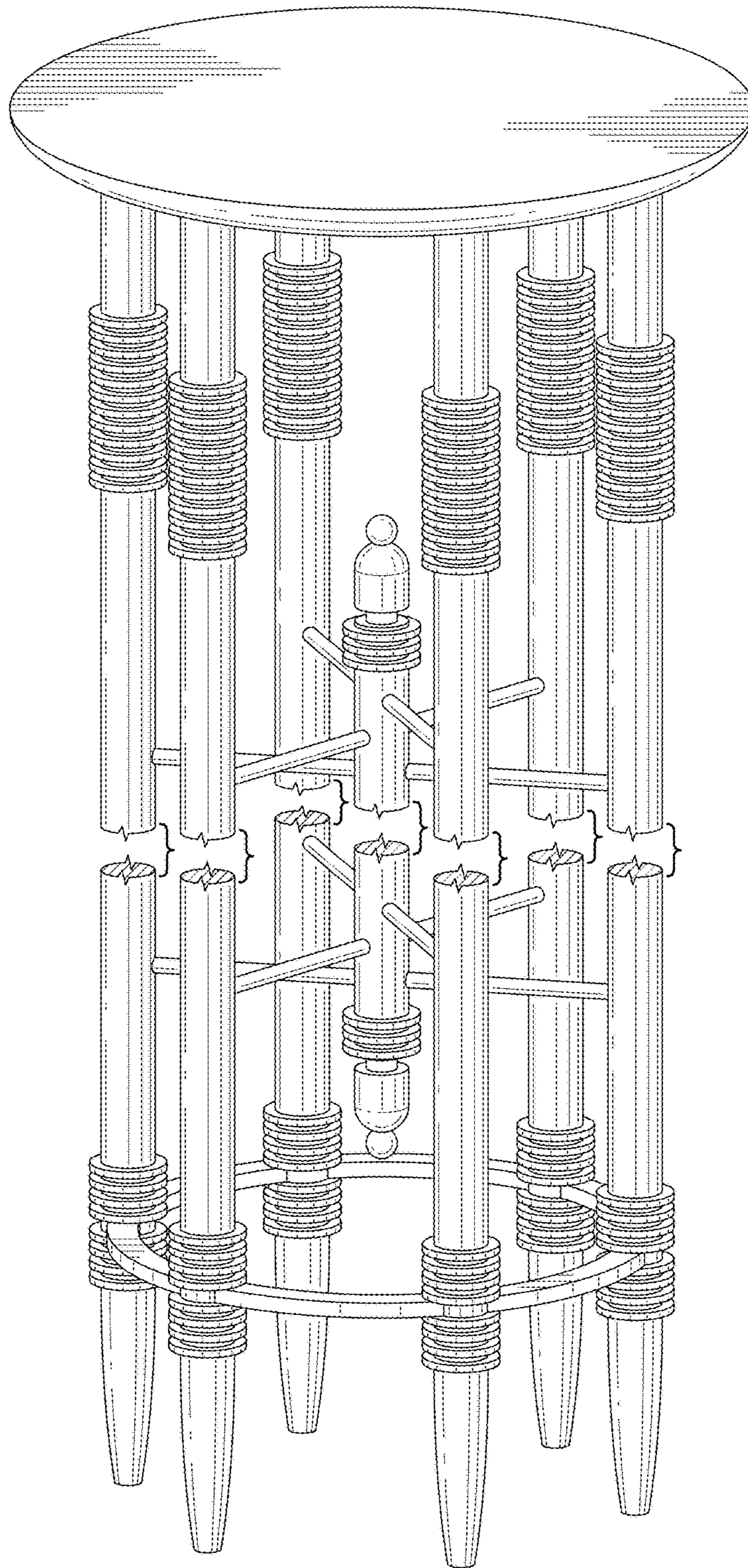


FIG. 1

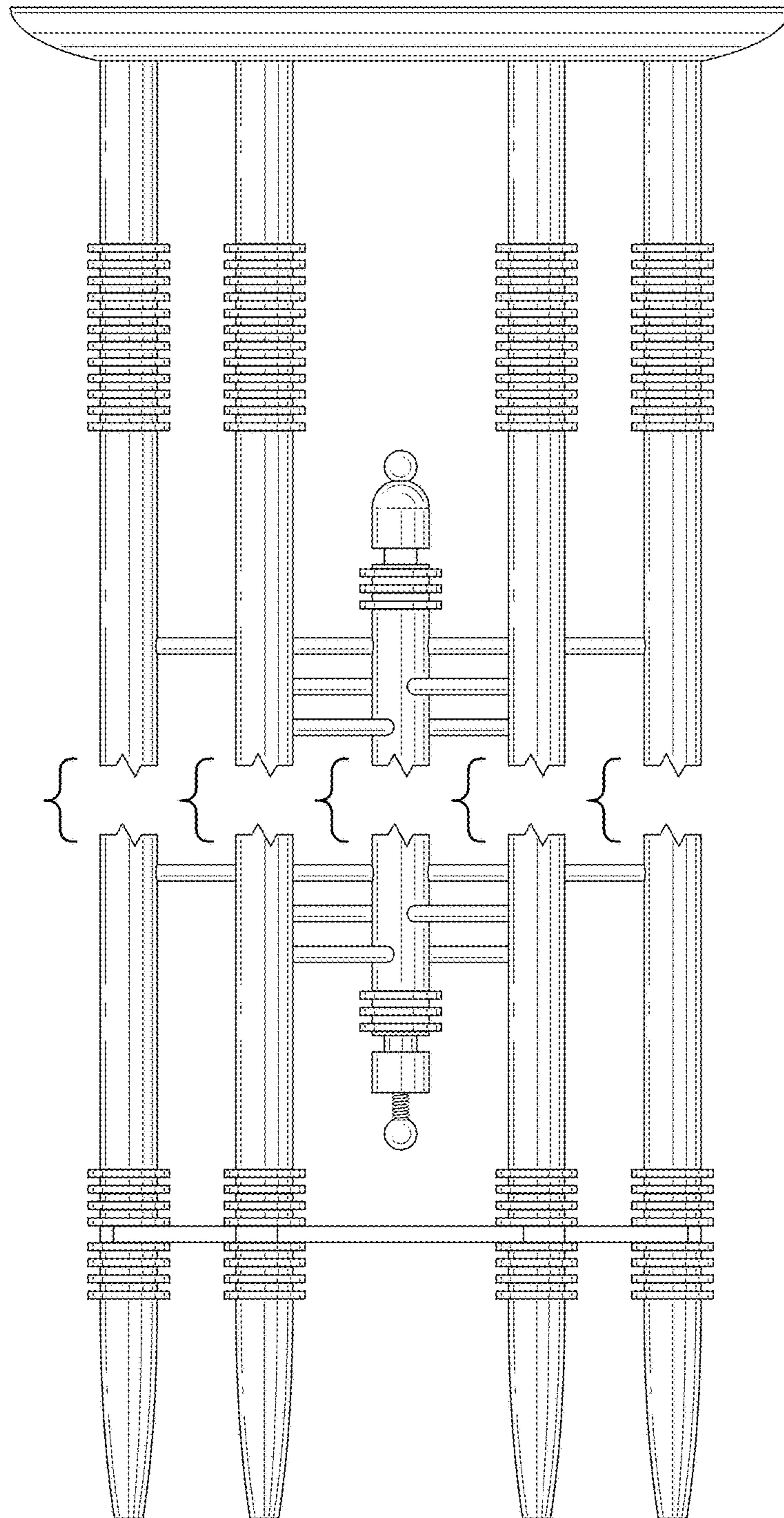


FIG. 2

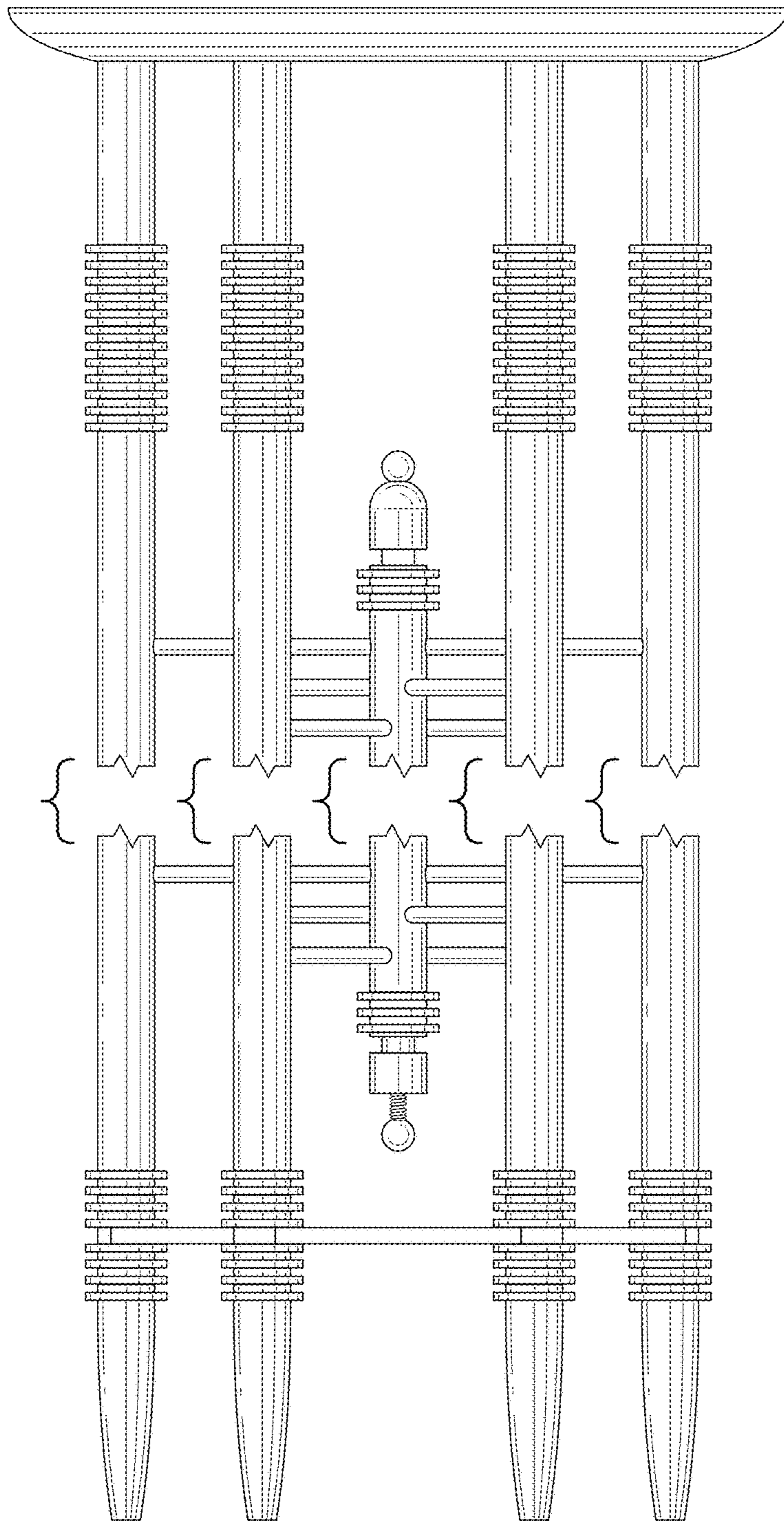


FIG. 3

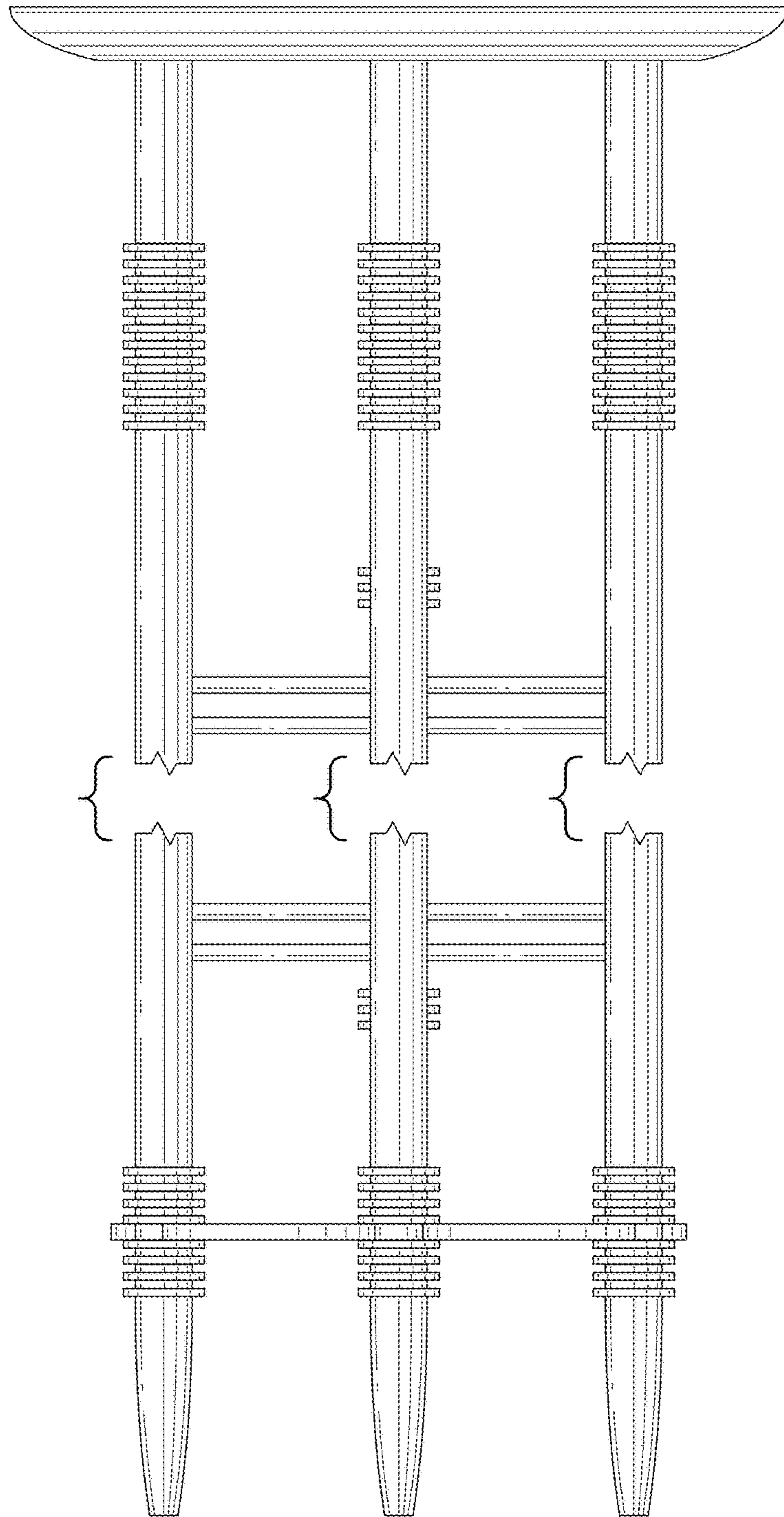


FIG. 4

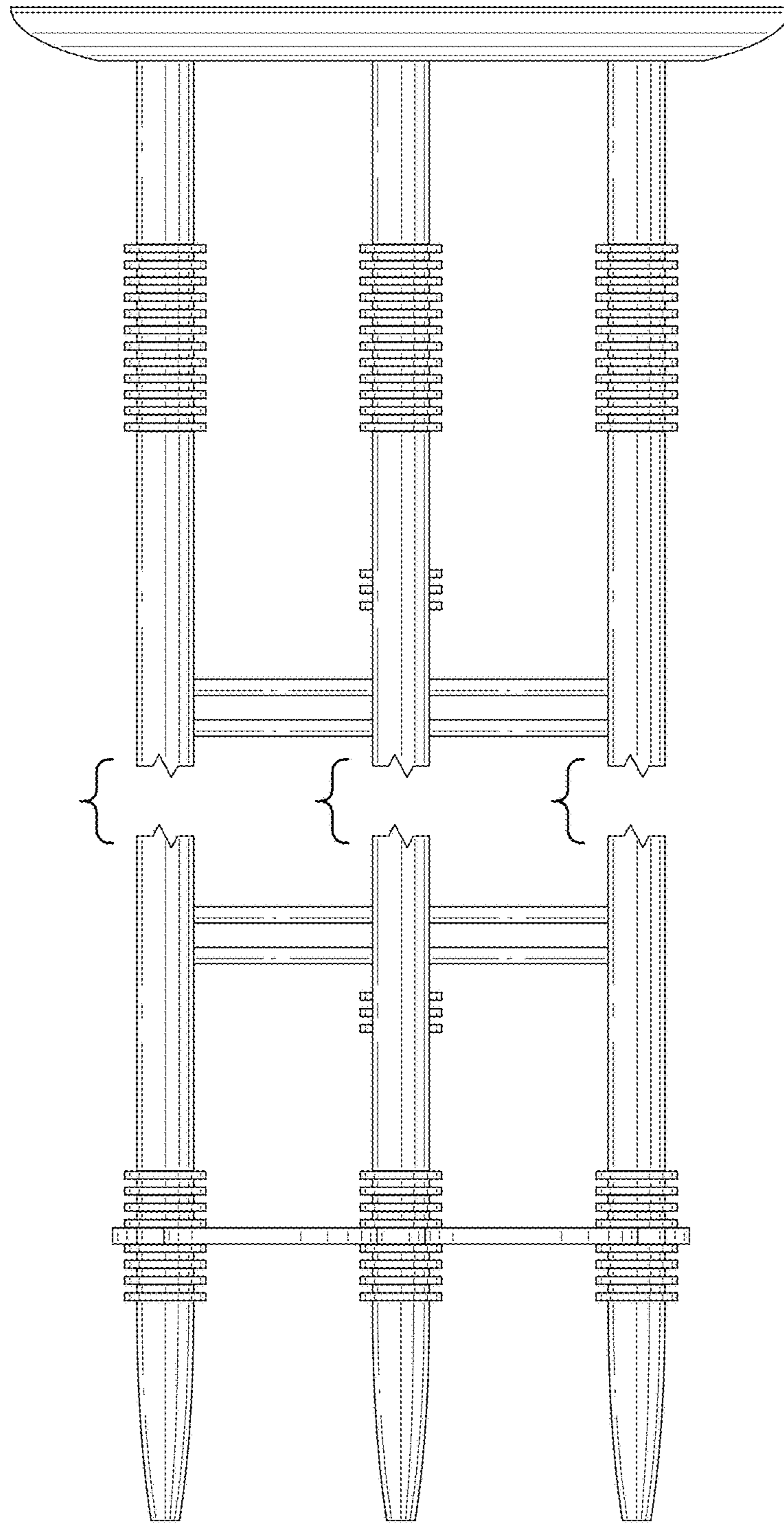


FIG. 5

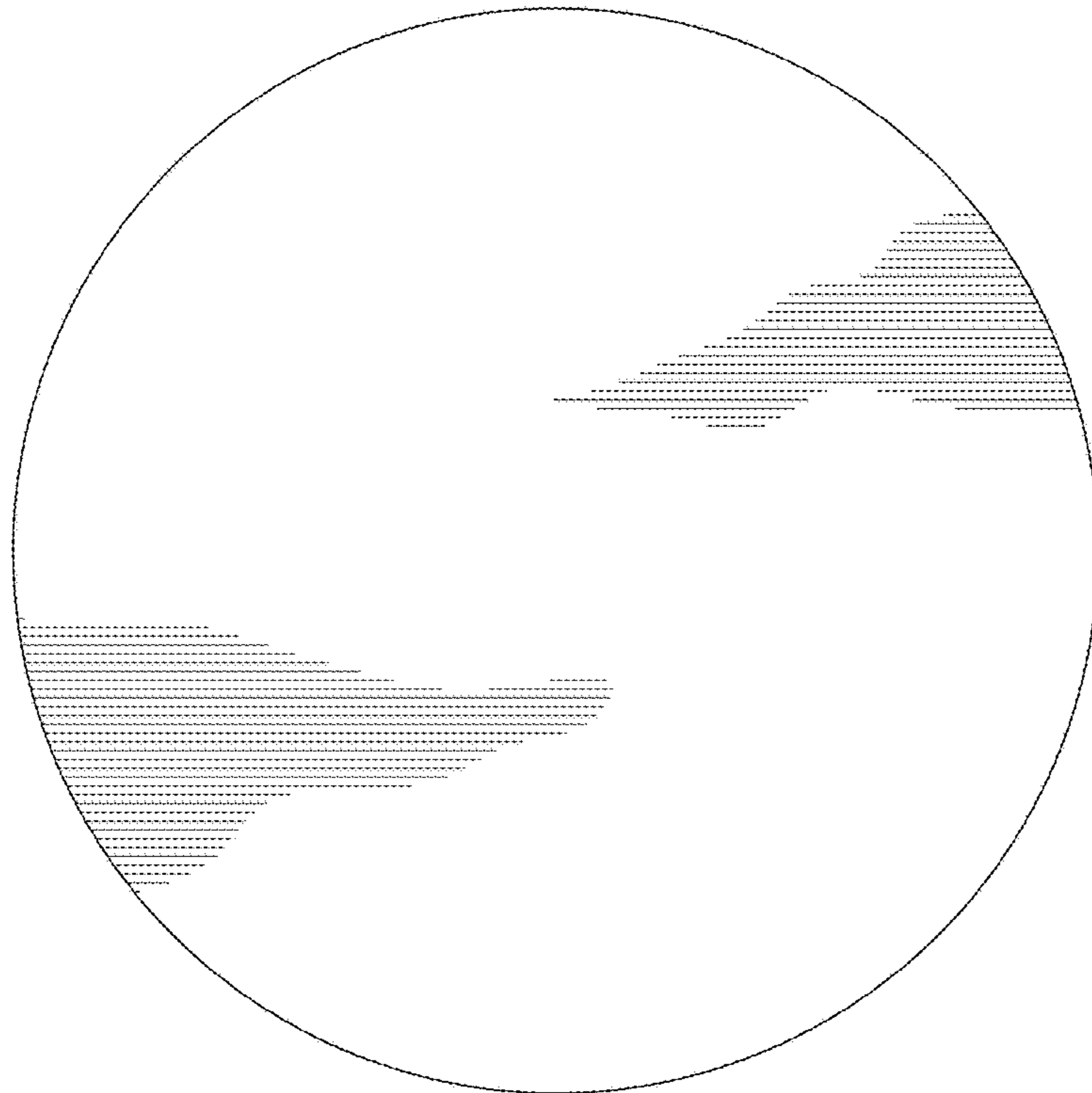


FIG.6

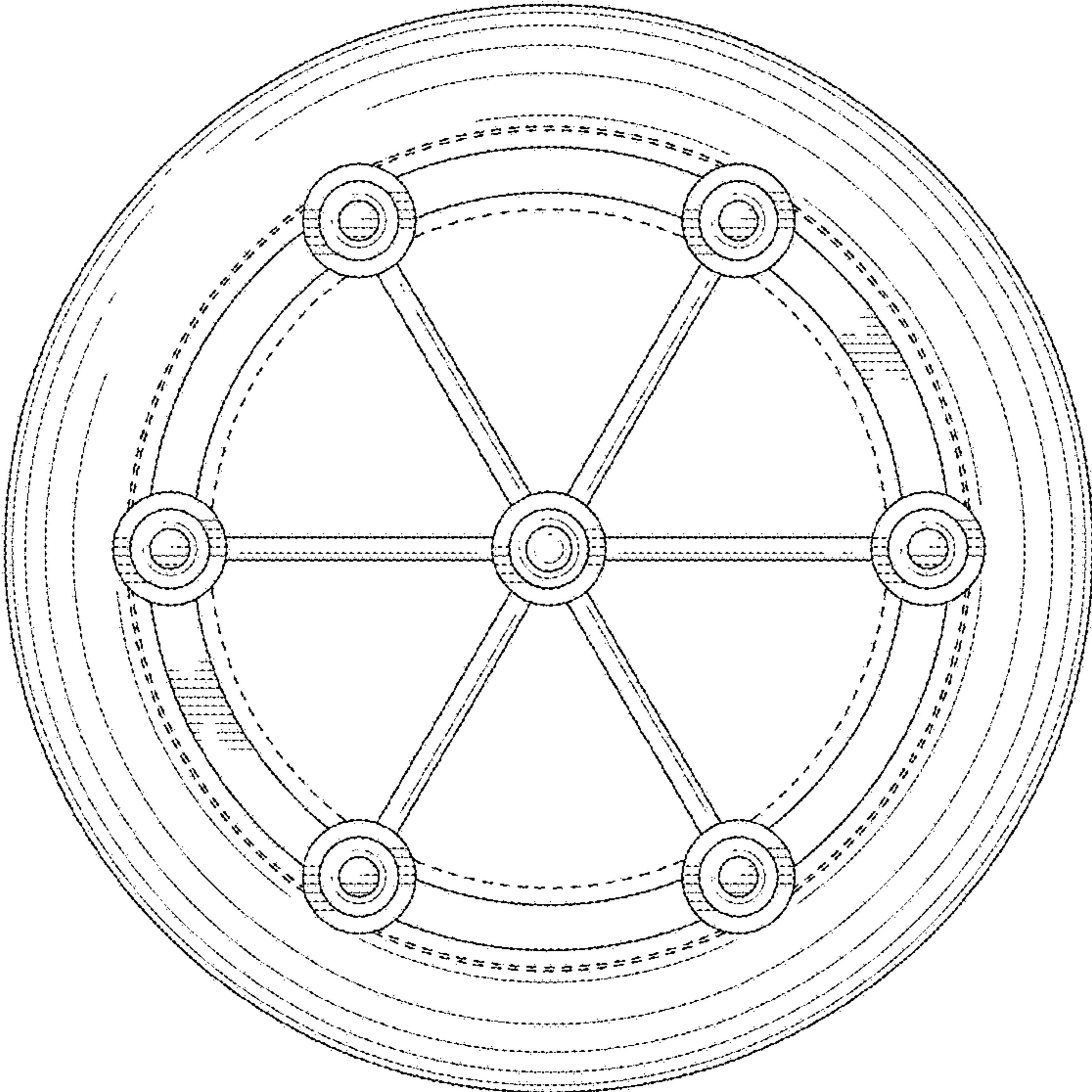


FIG. 7