

US00D865420S

(12) **United States Design Patent** (10) **Patent No.:** **US D865,420 S**
Risdon (45) **Date of Patent:** **** Nov. 5, 2019**

(54) **DINING TABLE**

(71) Applicant: **A.R.T. Furniture, Inc.**, Ontario, CA (US)

(72) Inventor: **Scott Risdon**, Greensboro, NC (US)

(73) Assignee: **A.R.T. Furniture, Inc.**, Ontario, CA (US)

(**) Term: **15 Years**

(21) Appl. No.: **29/621,180**

(22) Filed: **Oct. 5, 2017**

(51) **LOC (12) Cl.** **06-03**

(52) **U.S. Cl.**
USPC **D6/691.8**

(58) **Field of Classification Search**
USPC D6/349, 641, 685, 686, 689, 691,
D6/691.1-691.9, 709, 709.18, 709.19,
D6/709.2
CPC A47B 7/00; A47B 13/00; A47B 13/02;
A47B 13/04; A47B 13/06; A47B 13/08;
A47B 21/00; A47B 2200/0001; A47B
2200/0011; A47B 2200/002; A47B
2200/0026

See application file for complete search history.

(56) **References Cited**

U.S. PATENT DOCUMENTS

D224,494 S *	8/1972	Kerman	D6/691.8
D259,602 S *	6/1981	Mioni	D6/689
D259,981 S *	7/1981	Alpert	D6/689
D263,909 S *	4/1982	Adkinson	D6/689
D350,865 S *	9/1994	Ward	D6/691.1
D647,333 S *	10/2011	Navone	D6/691
D659,434 S *	5/2012	Sofield	D6/691.8
D677,946 S	3/2013	Duvigneau		

OTHER PUBLICATIONS

3145—Woodlands Oak—Progressive Internation—p. 28 (c) 1991 located in STIC—E2D2 <http://uspto.pi2solutions.com/Records/>

recorddisplay.aspx?record=1&PUI=uspdrg130303017004&searchid=13208&StemID=78199.*

1125—Oak Ridge—Progressive Internation—p. 31 (c) 1991 located in STIC—E2D2 http://uspto.pi2solutions.com/Records/recorddisplay.aspx?record=1&PUI=uspdrg130303017004&searchid=13208&StemID=78199.*

Gregorius Pineo 3730 Carneros Coffee Table, known at least as early as Jun. 16, 2017, 1 pg.

Gregorius Pineo Battista Dining Table (3040); <https://gregoriuspineo.com/categories/12/products/426>; known at least as early as May 2, 2018, 1 page.

(Continued)

Primary Examiner — Mary Ann Calabrese

(74) *Attorney, Agent, or Firm* — Womble Bond Dickinson (US) LLP

(57) **CLAIM**

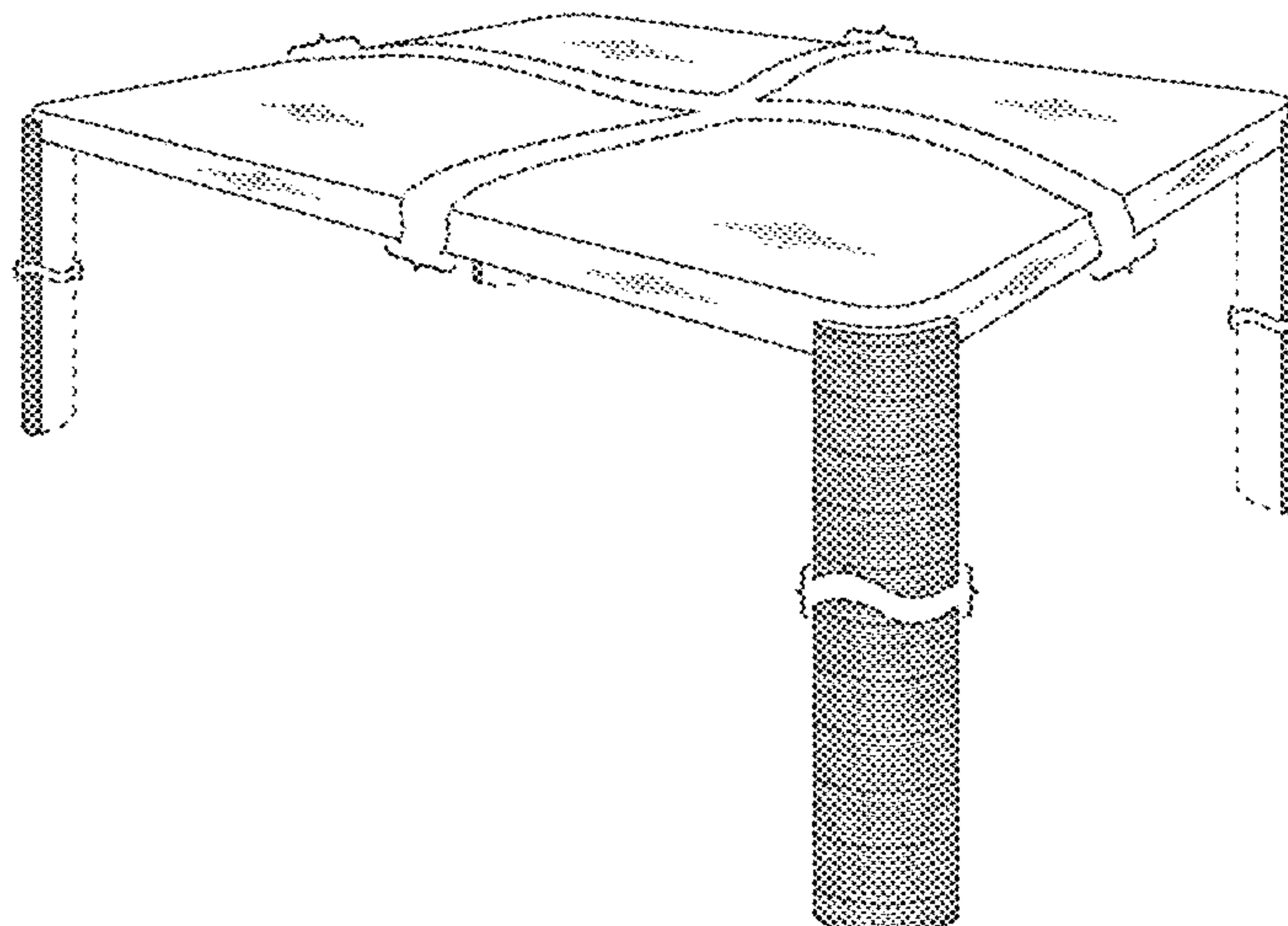
I claim the ornamental design for a dining table, as shown and described.

DESCRIPTION

FIG. 1 is a perspective view of my new design; FIG. 2 is a right side view thereof; FIG. 3 is a front view thereof; FIG. 4 is a top view thereof; and, FIG. 5 is detailed view of a leg portion of the dining table. The bracketed dash-dot lines in FIGS. 1-4 represent boundaries that form no part of the claimed design such that the area between the dashed-dot lines forms no part of the claimed design. The dash-dash lines in FIG. 1 represent environmental portions that form no part of the claimed design. The wavy dash-dash line in FIG. 5 represents an end of the detailed portion that forms no part of the claimed design.

The outer surfaces of the legs are characterized by a rough surface pattern with horizontal striations.

1 Claim, 5 Drawing Sheets



(56)

References Cited

OTHER PUBLICATIONS

Robert James Collection Cayman Dining Table; <http://m.robertjamescollection.com/dining-tables.html?itemid=19925>; known at least as early as May 2, 2018; 4 pages.

1219 Los Angeles Gregorius Pineo, known at least as early as Jun. 16, 2017, 1 pg.

Gregorius Pineo Candle Holder, known at least as early as Jun. 16, 2017, 1 pg.

Tuel and Reynolds Lighting 0032, known at least as early as Jun. 16, 2017, 1 pg.

* cited by examiner

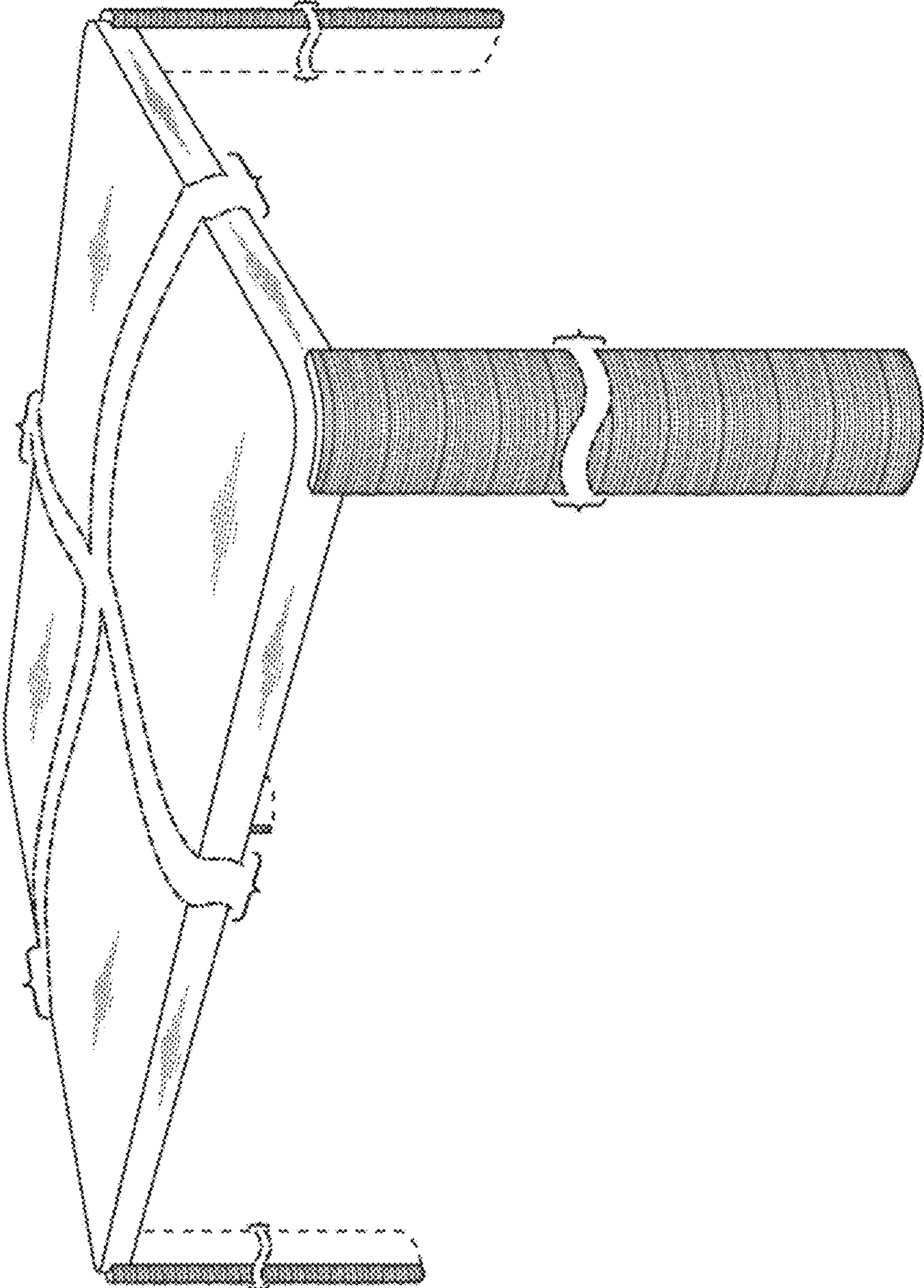


FIG. 1

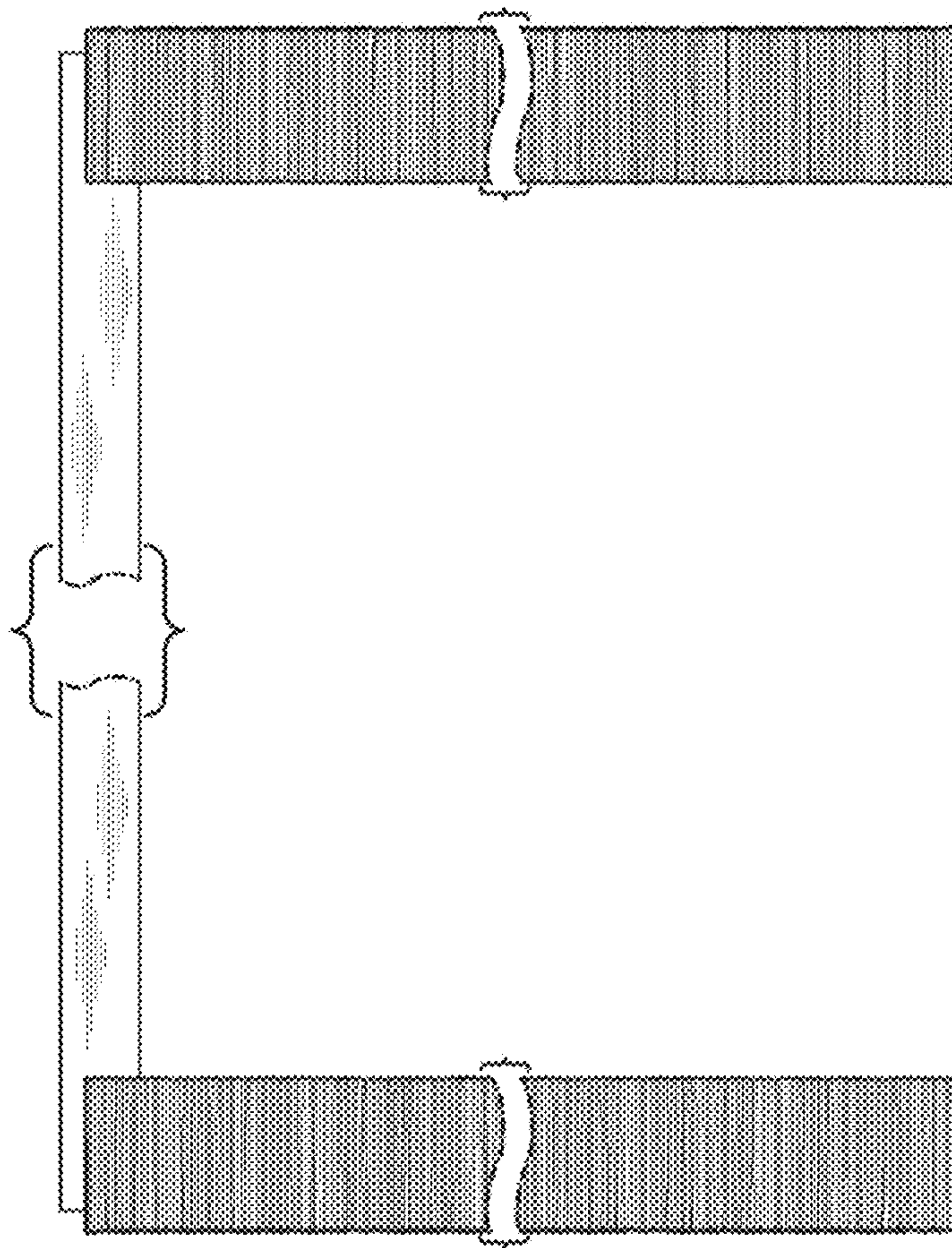


FIG. 2

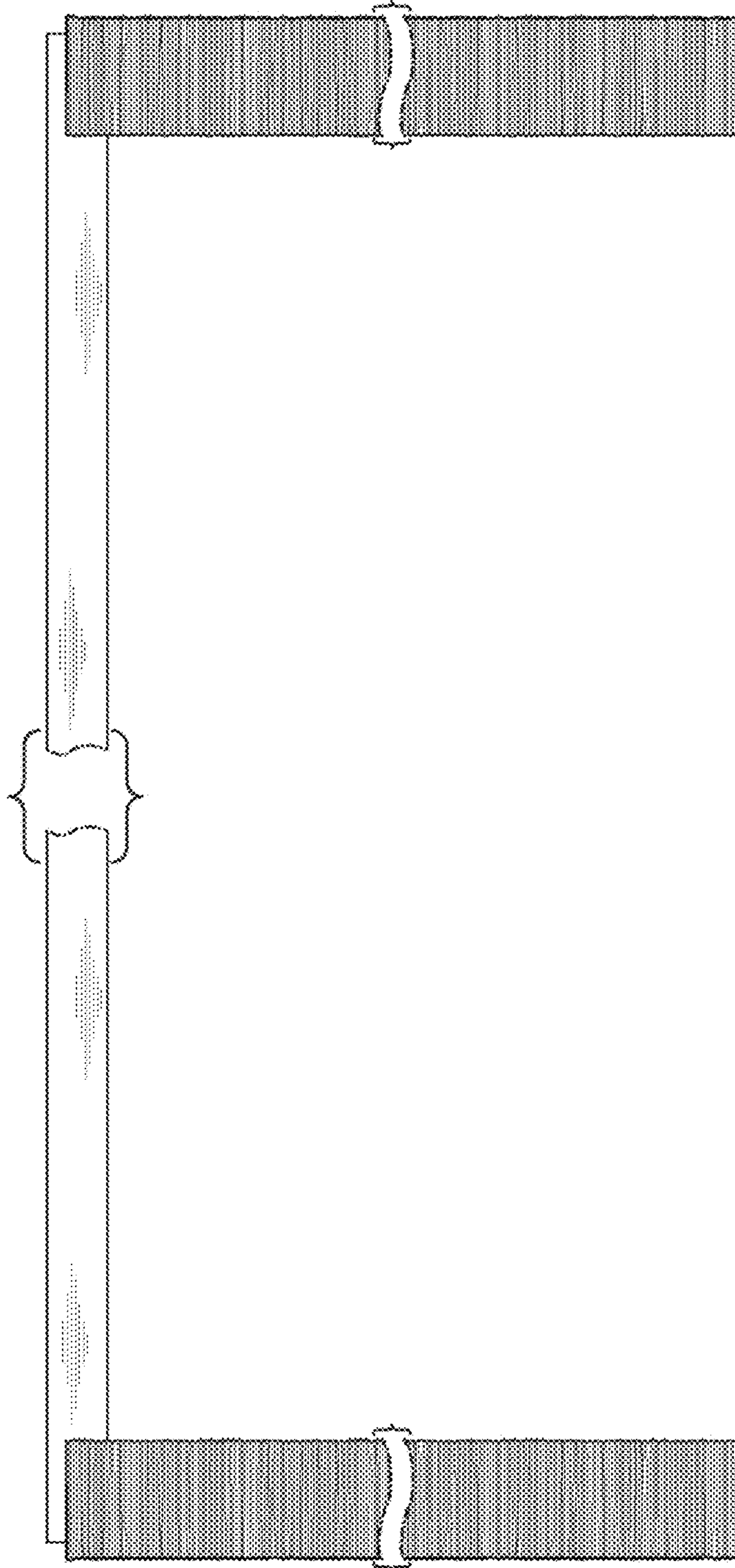
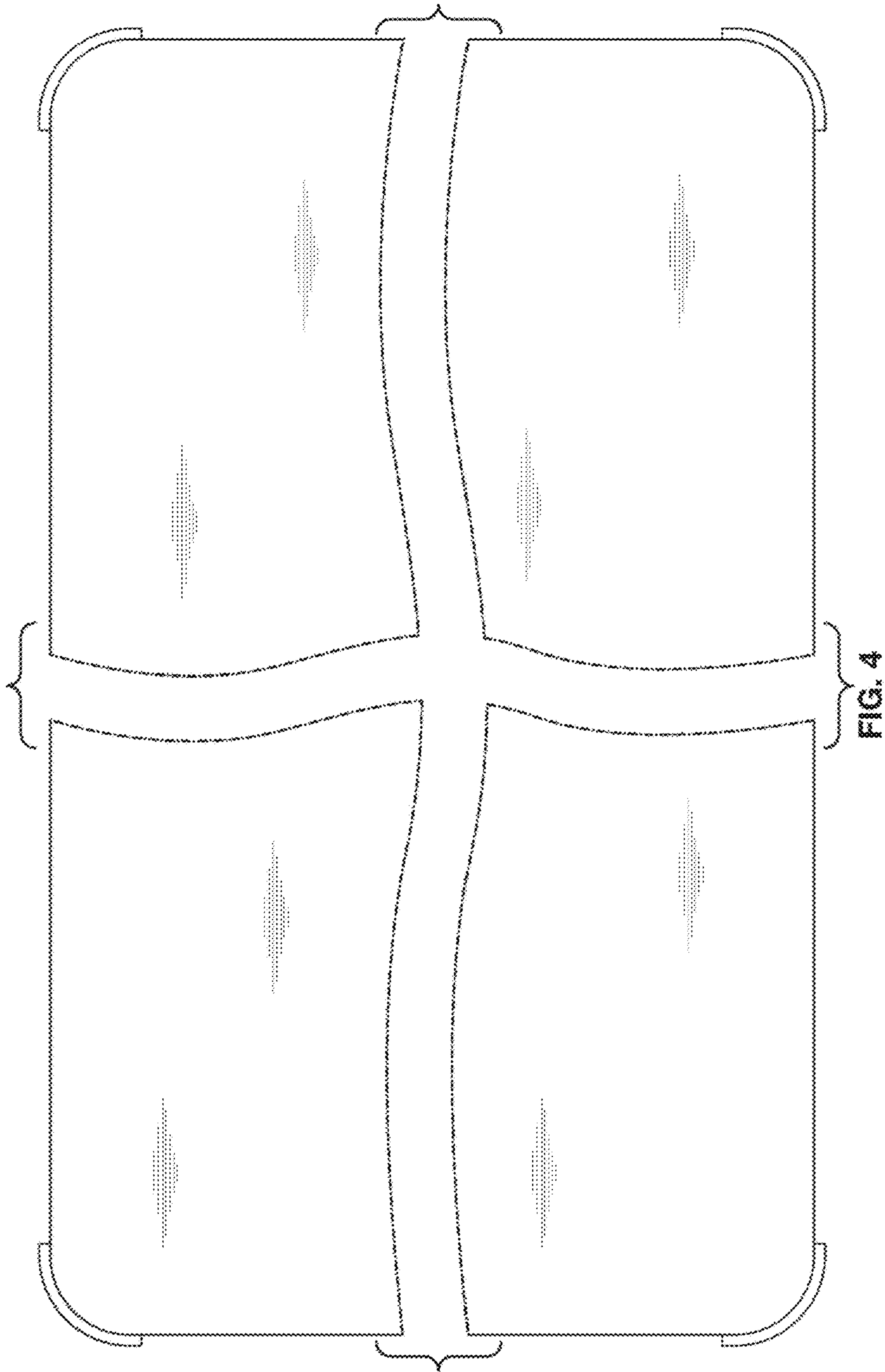


FIG. 3



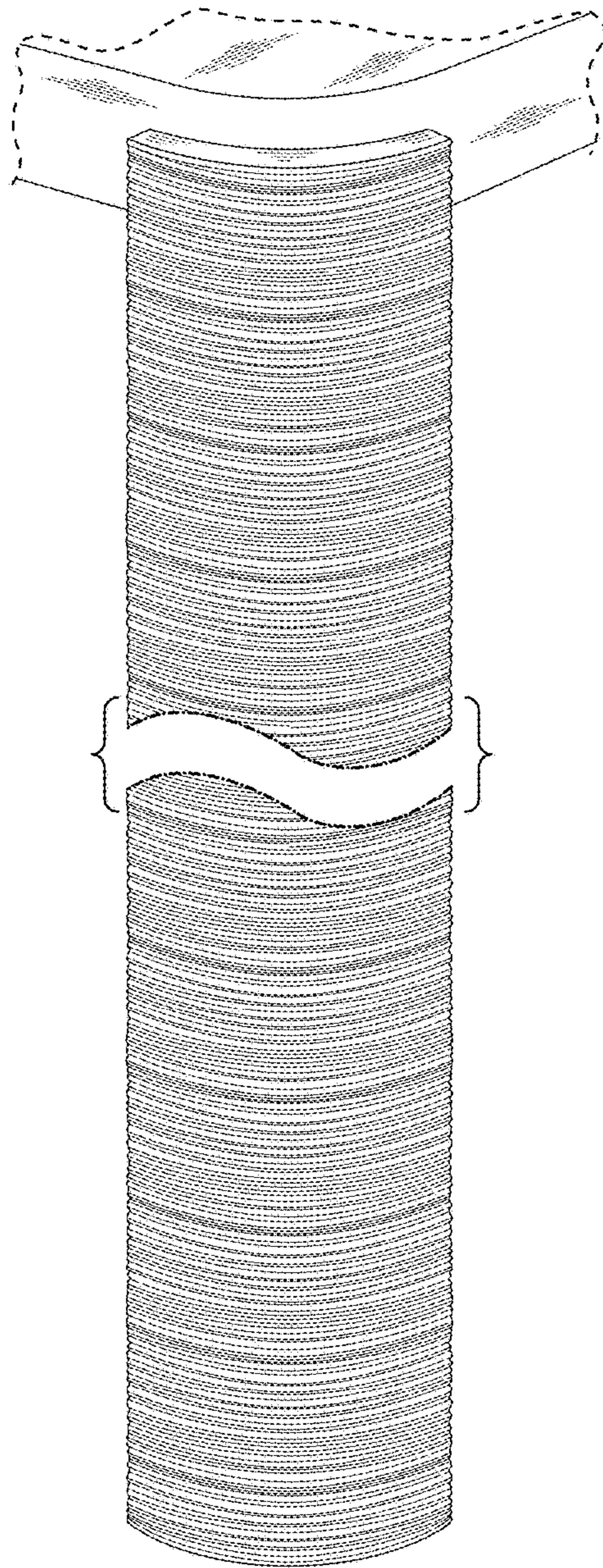


FIG. 5