



US00D865414S

(12) **United States Design Patent** (10) **Patent No.:** **US D865,414 S**
Hawkins (45) **Date of Patent:** **** Nov. 5, 2019**

(54) **ROTATABLE STORAGE RACK**
(71) Applicant: **Matthew Hawkins**, Riverside, CA (US)
(72) Inventor: **Matthew Hawkins**, Riverside, CA (US)
(**) Term: **15 Years**
(21) Appl. No.: **29/656,820**
(22) Filed: **Jul. 17, 2018**
(51) **LOC (12) Cl.** **06-06**
(52) **U.S. Cl.**
USPC **D6/680.1**
(58) **Field of Classification Search**
USPC D6/675, 675.1, 678, 678.1, 680, 680.1,
D6/680.2, 682, 682.1, 682.2, 682.3,
D6/682.4, 683, 683.1
CPC .. A47F 5/0018; A47F 5/16; A47F 7/28; A47F
7/283; A47B 73/00; A47B 81/00
See application file for complete search history.

5,372,474 A * 12/1994 Miller F03B 17/005
415/1
D471,326 S * 3/2003 Weiser D11/143
6,557,491 B1 * 5/2003 Weiser A01G 9/022
119/57.8
D488,643 S * 4/2004 Birmingham D6/680.1
D494,775 S * 8/2004 Birmingham D6/680.1
D508,349 S * 8/2005 Wu D6/680.1
D543,726 S * 6/2007 Andriolo D6/680.1
7,748,569 B2 7/2010 Sunatori
D676,685 S * 2/2013 Dobelbower D6/680.1
D720,951 S * 1/2015 Hawkins D6/682.2
8,950,599 B2 2/2015 Wilder
8,955,699 B2 2/2015 Wilder
9,578,992 B2 * 2/2017 Knowlton A47J 47/16
D810,480 S * 2/2018 Polvadore D6/682.2
D818,749 S * 5/2018 Polvadore D6/682.4
2006/0043038 A1 * 3/2006 Wetzel A47F 7/0078
211/88.03

FOREIGN PATENT DOCUMENTS

WO 2007091048 8/2007

* cited by examiner

Primary Examiner — Kelley A Donnelly

(56) **References Cited**
U.S. PATENT DOCUMENTS

141,064 A * 7/1873 McMahon A47F 5/03
211/164
380,897 A * 4/1888 Jewell A47B 11/00
108/95
518,526 A * 4/1894 Jewett A47B 11/00
108/94
2,911,107 A 11/1959 Thomas
2,936,901 A 5/1960 Siemantel
D225,870 S * 1/1973 Morgison D6/672
D239,685 S * 4/1976 Peterson D6/680.1
D252,970 S * 9/1979 Gutkin D6/680.1
4,700,850 A 10/1987 Morgan
4,895,260 A 1/1990 Ancona
5,083,670 A 1/1992 Zimmer
5,368,203 A 11/1994 Friedrich

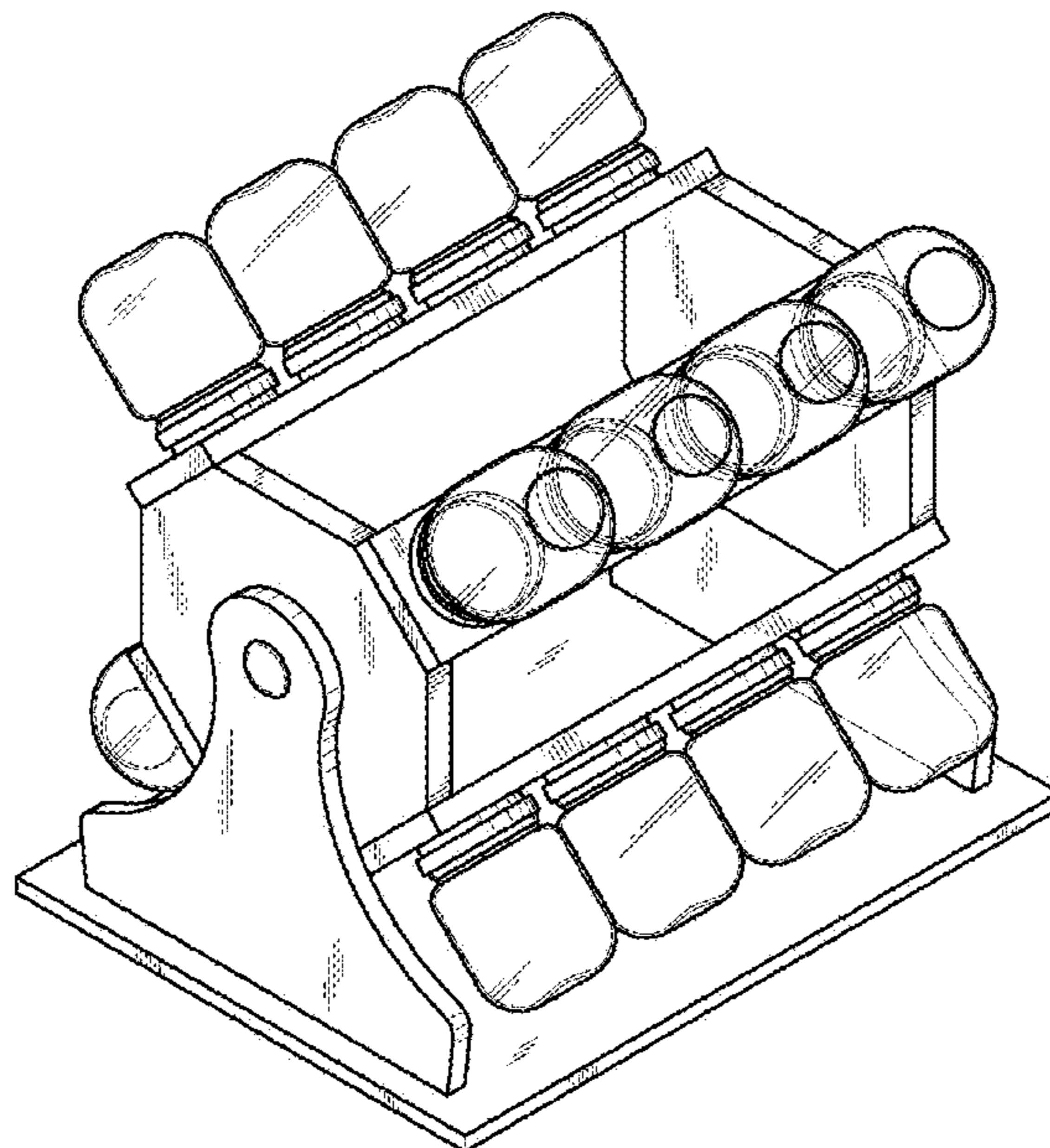
(57) **CLAIM**

I claim the ornamental design for a rotatable storage rack, as shown and described.

DESCRIPTION

FIG. 1 is a front view of the rotatable storage rack.
FIG. 2 is a rear view of the claimed design.
FIG. 3 is a left side view of the claimed design.
FIG. 4 is a right side view of the claimed design.
FIG. 5 is a top view of the claimed design.
FIG. 6 is a bottom view of the claimed design; and,
FIG. 7 is a perspective view of the claimed design.

1 Claim, 6 Drawing Sheets



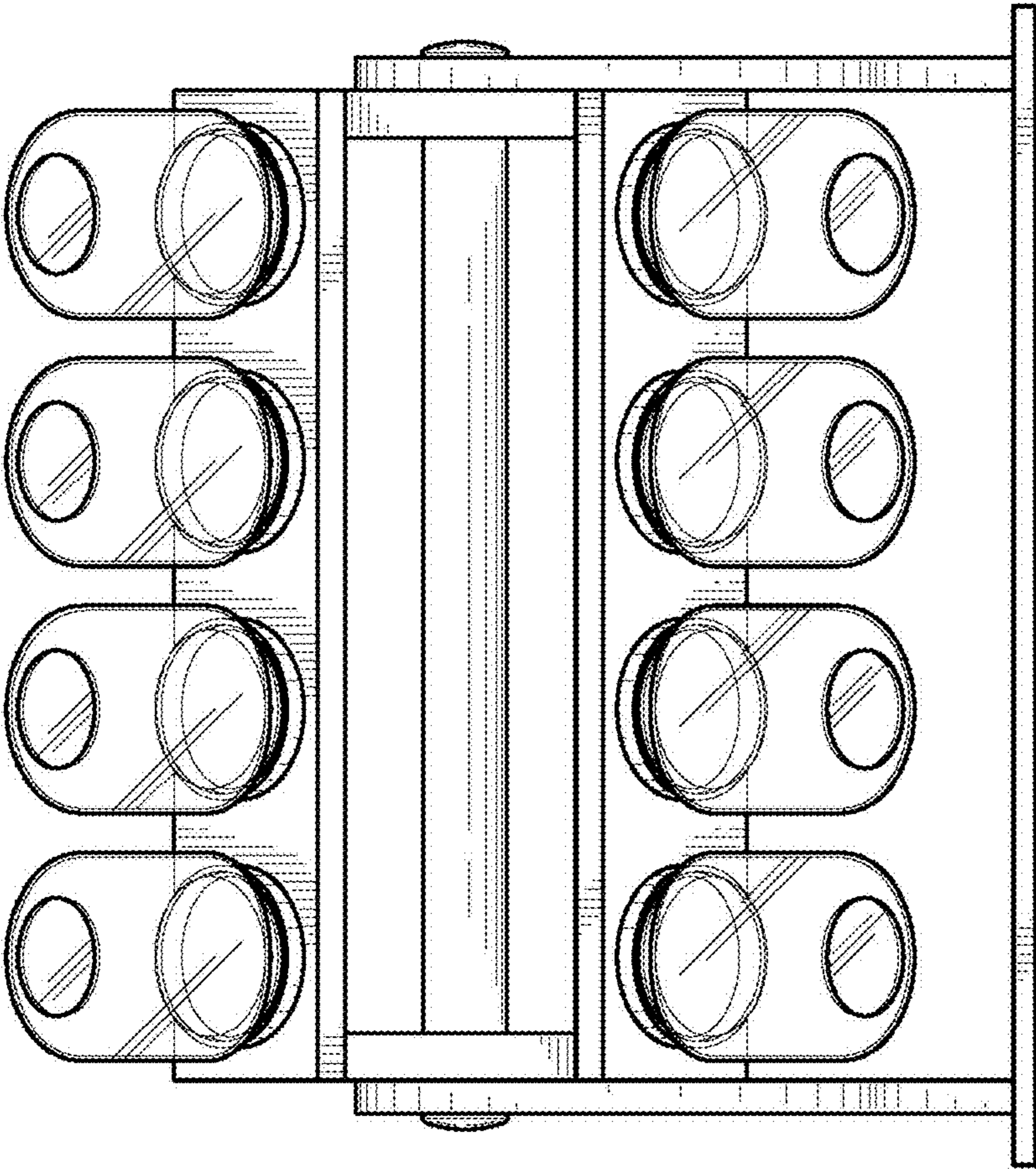


FIG. 1

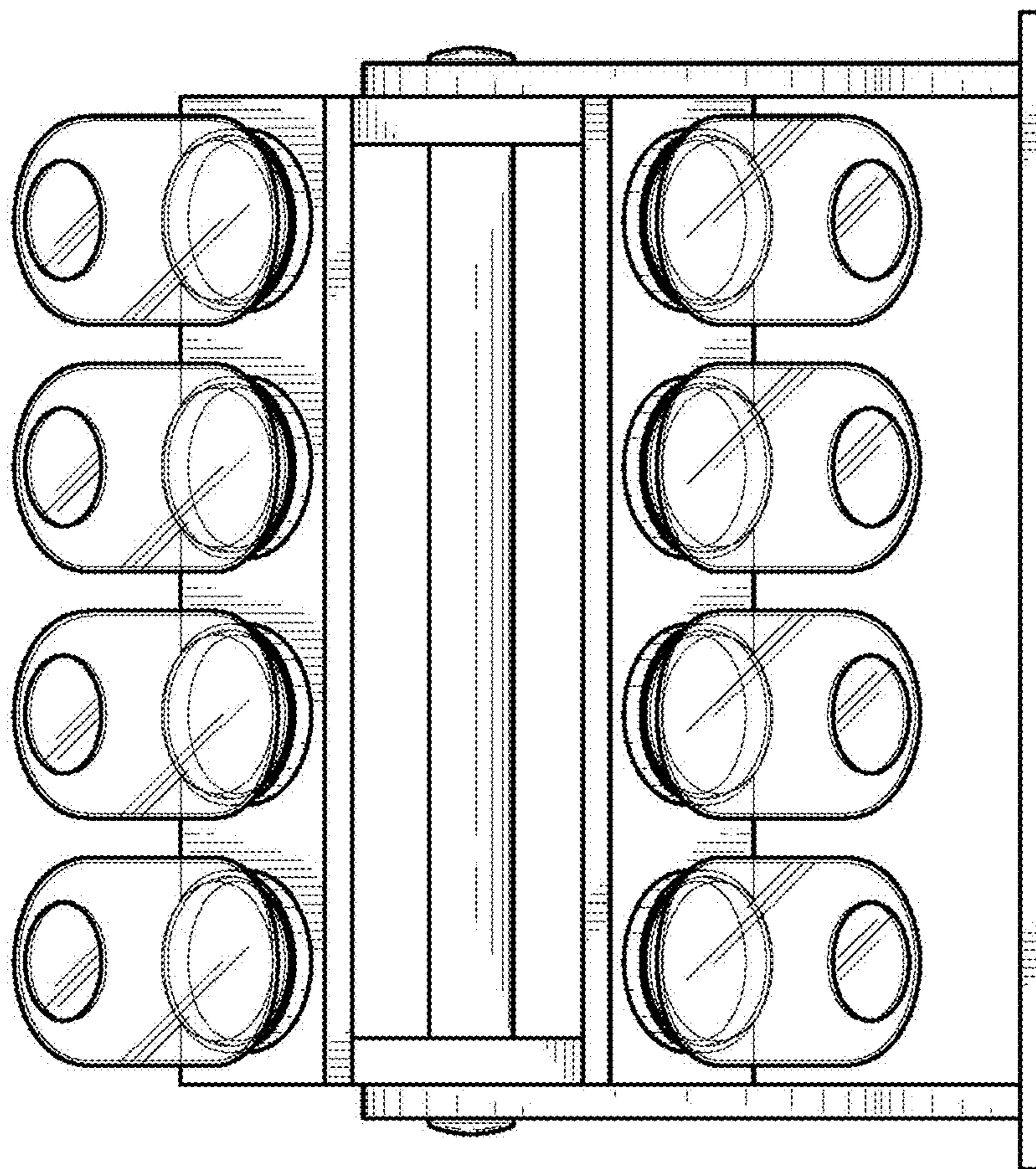


FIG. 2

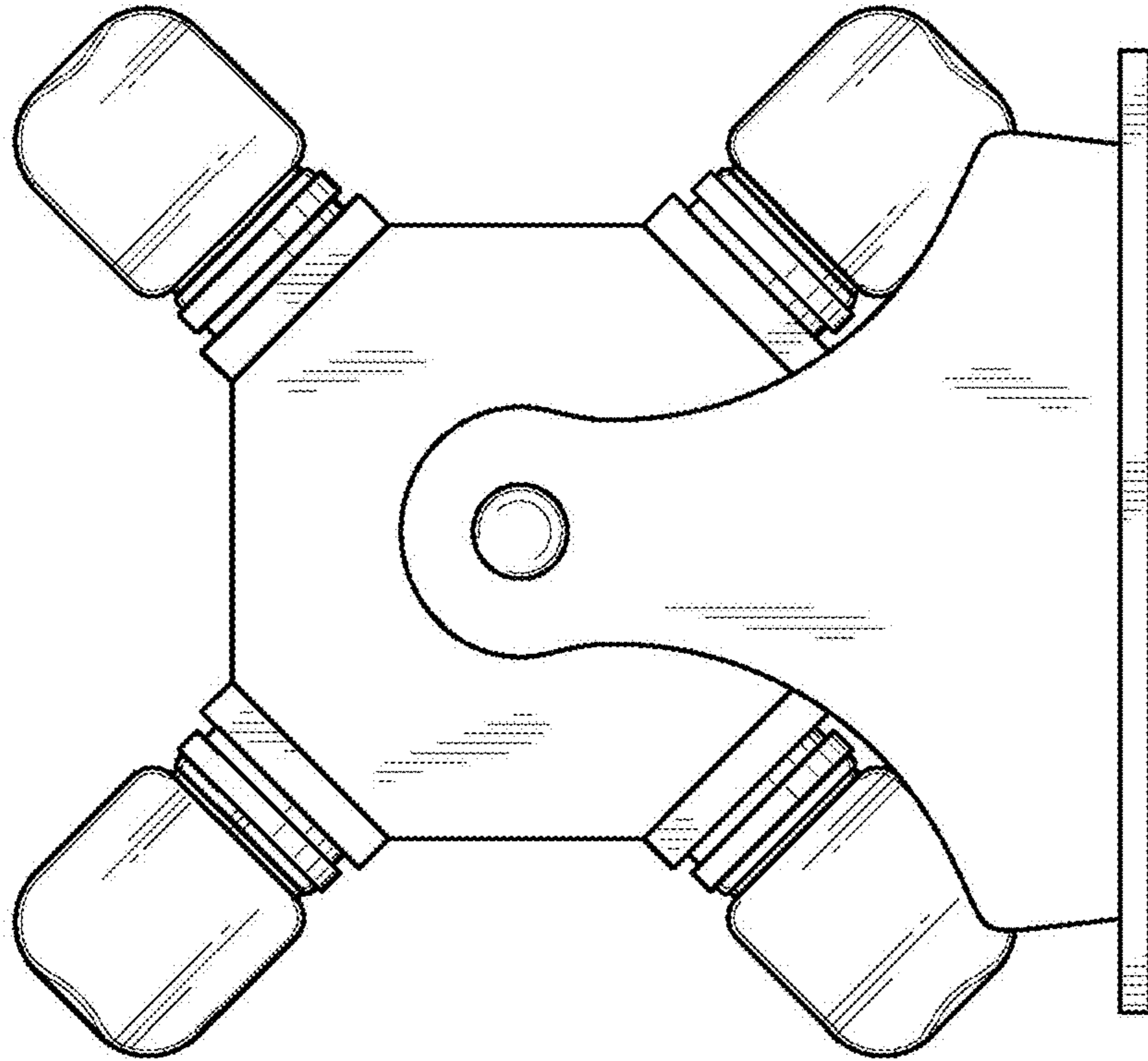


FIG. 4

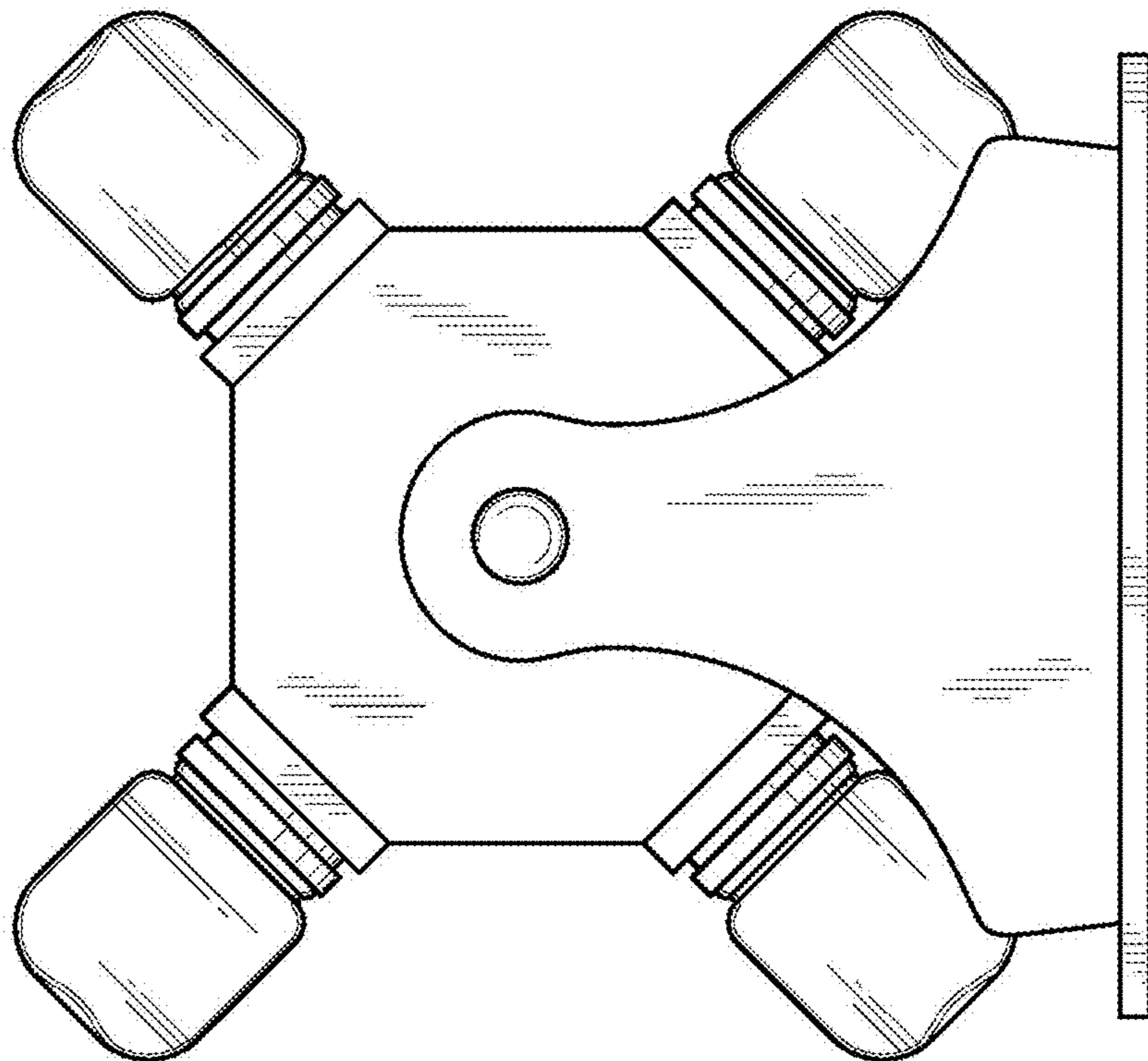


FIG. 3

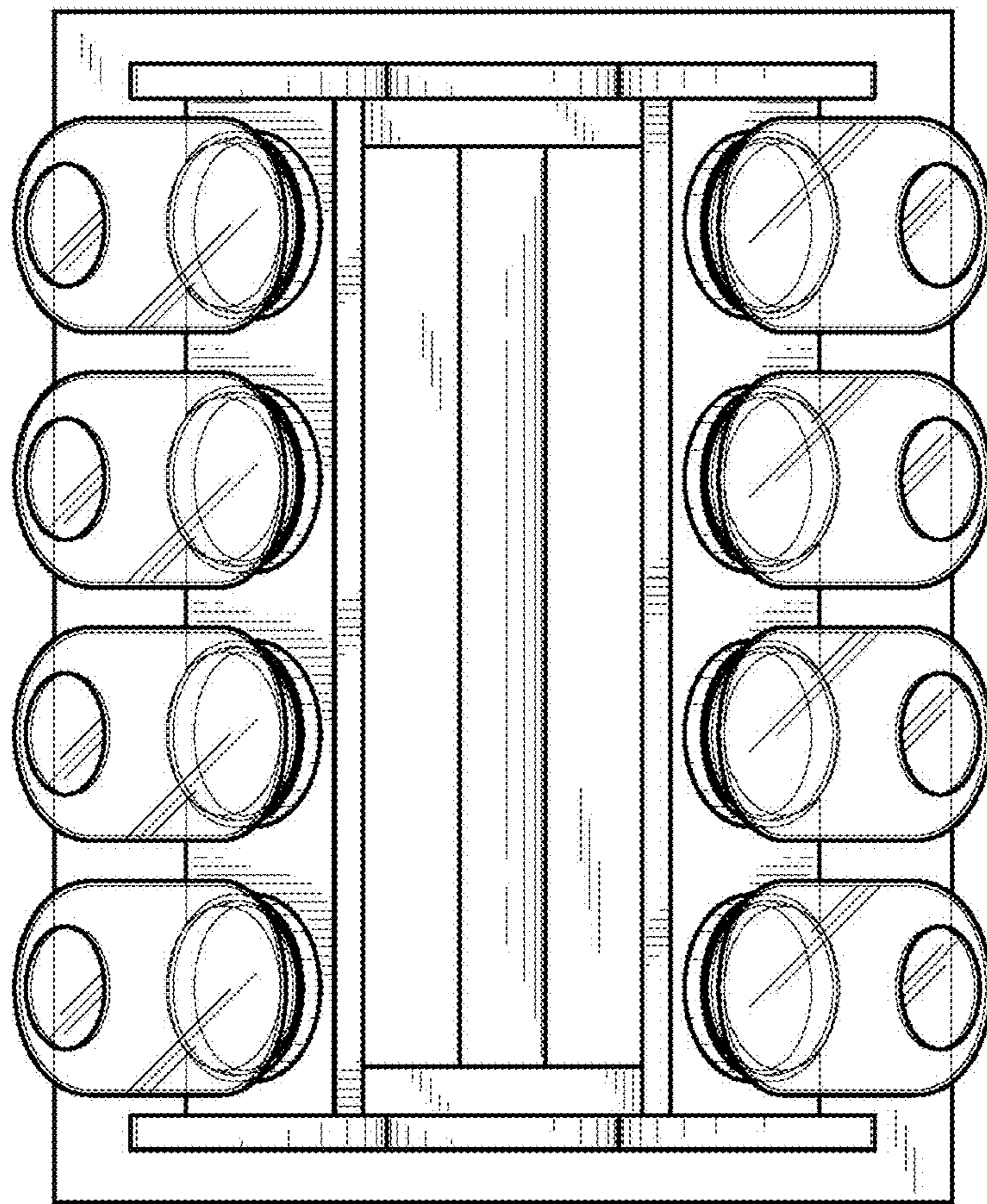


FIG. 5

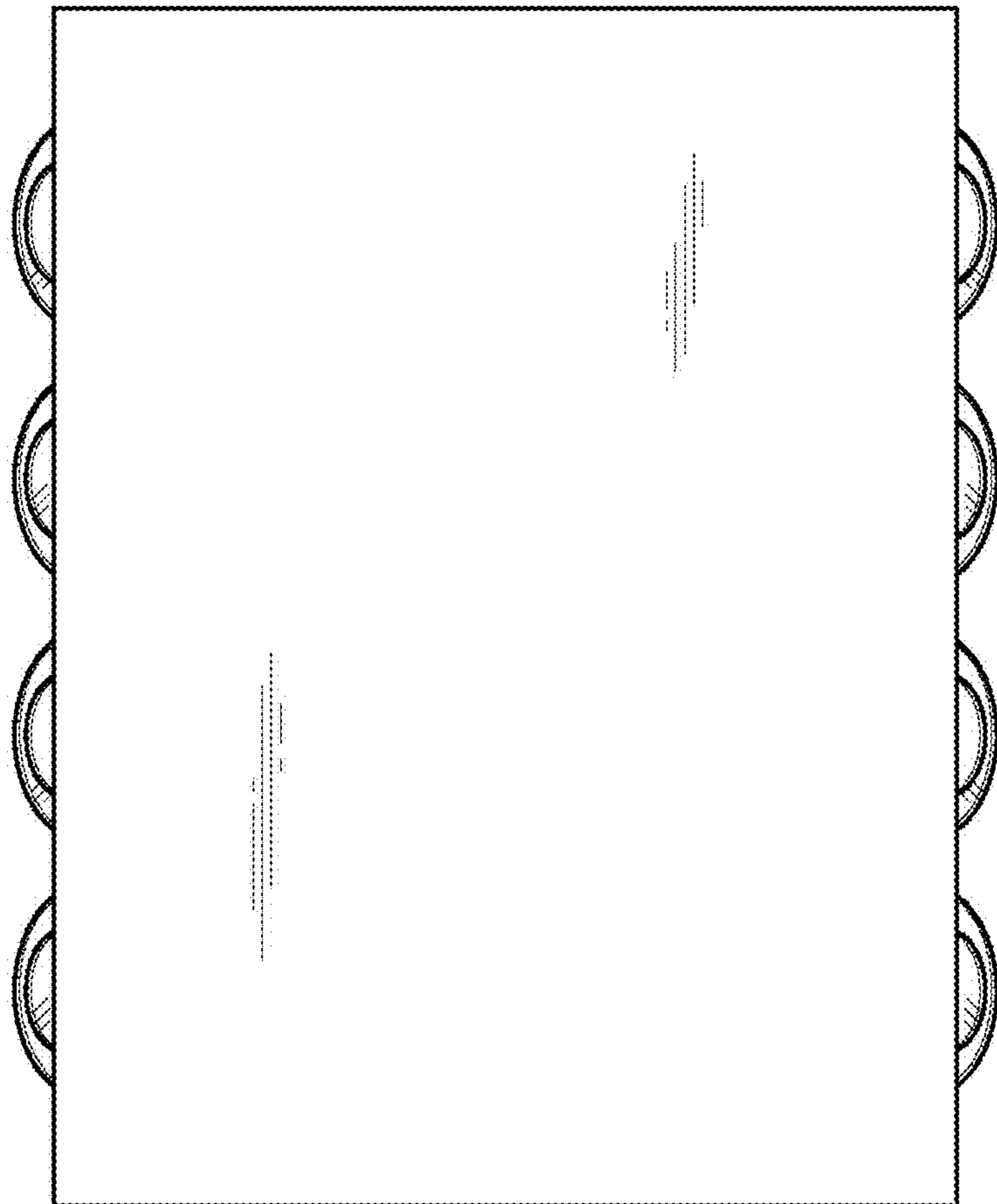


FIG. 6

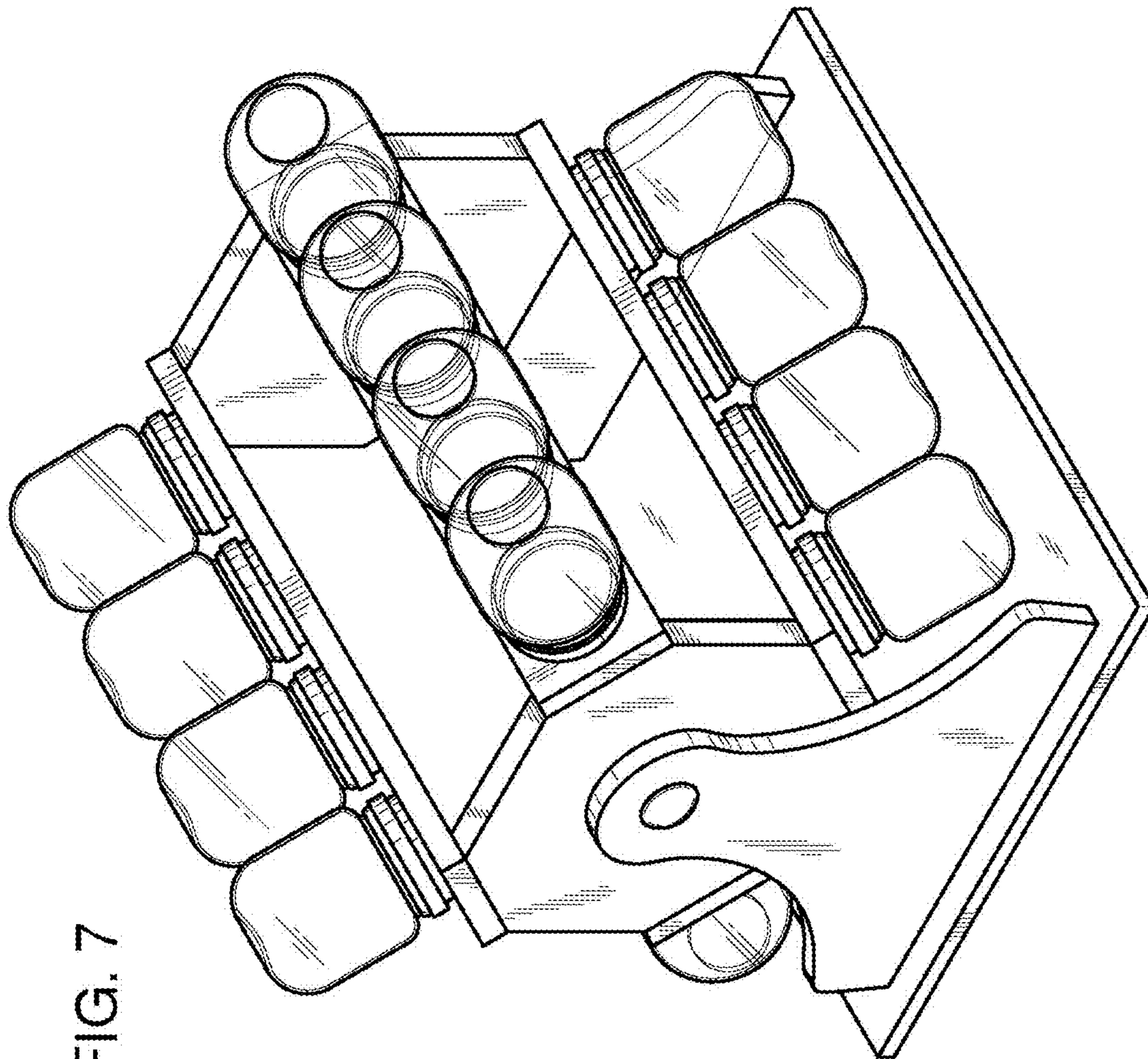


FIG. 7