



US00D865410S

(12) **United States Design Patent** (10) **Patent No.:** **US D865,410 S**  
**Johnson et al.** (45) **Date of Patent:** **\*\* Nov. 5, 2019**

(54) **DISPLAY UNIT**  
(71) Applicant: **Target Brands, Inc.**, Minneapolis, MN (US)  
(72) Inventors: **Jason W. Johnson**, Wayzata, MN (US); **Jennifer A. Theisen**, Crystal, MN (US); **Travis M. Poirier**, Fridley, MN (US)  
(73) Assignee: **Target Brands, Inc.**, Minneapolis, MN (US)  
(\*\*) Term: **15 Years**  
(21) Appl. No.: **29/628,312**  
(22) Filed: **Dec. 4, 2017**  
(51) **LOC (12) Cl.** ..... **06-04**  
(52) **U.S. Cl.**  
USPC ..... **D6/667**  
(58) **Field of Classification Search**  
USPC .... D6/631, 632, 661, 667, 691.4; D3/203.1, D3/294; D9/432, 614, 737; D99/25  
CPC ... A45C 11/16; A45C 13/005; B31B 2110/35; B65D 43/16; B65D 5/6697  
See application file for complete search history.

(56) **References Cited**  
U.S. PATENT DOCUMENTS  
853,383 A \* 5/1907 Thorns ..... B65D 5/6697 229/125.11  
2,326,281 A \* 8/1943 Becker ..... B65D 5/365 229/125.08  
2,510,211 A \* 6/1950 Cleary ..... B65D 5/48046 229/120.32  
2,697,537 A \* 12/1954 Wetherell ..... A45C 11/16 220/829  
3,168,192 A \* 2/1965 Nicholson ..... B65D 5/5206 206/45.24  
3,311,227 A \* 3/1967 David ..... B41K 1/56 101/333

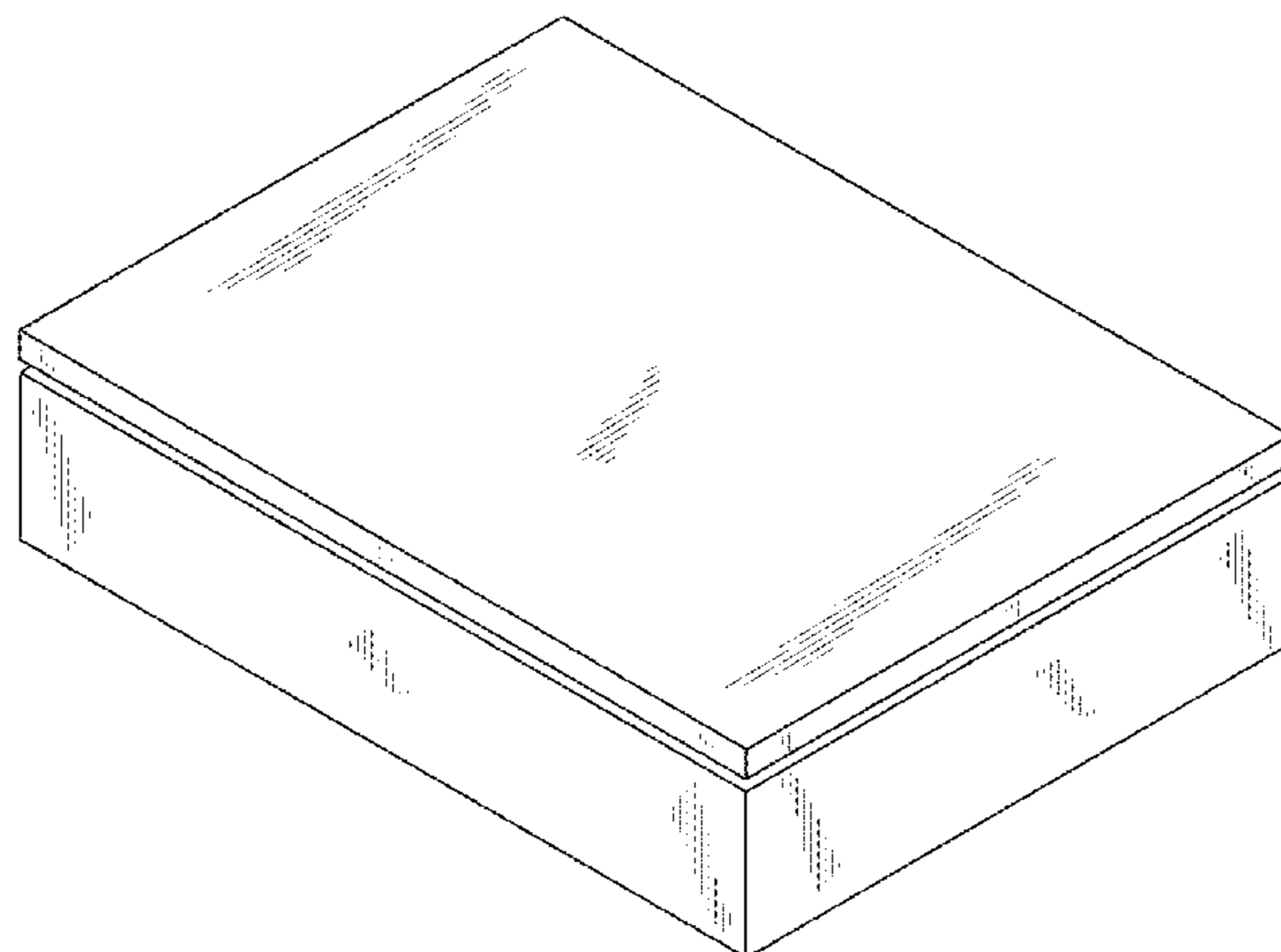
3,638,850 A \* 2/1972 Dubey ..... B65D 5/321 229/125.08  
D224,825 S \* 9/1972 Jenkins ..... D6/685  
D257,496 S \* 11/1980 Berkman ..... D6/631  
D258,938 S \* 4/1981 Spitzer ..... D9/432  
D339,062 S \* 9/1993 Williams ..... D9/432  
D380,926 S \* 7/1997 Goodburn ..... D6/632  
5,692,605 A \* 12/1997 Lai ..... A45C 11/16 206/566  
D403,534 S \* 1/1999 Gregory ..... D6/559  
(Continued)

*Primary Examiner* — Kevin K Rudzinski  
*Assistant Examiner* — Paul D Bohannon  
(74) *Attorney, Agent, or Firm* — Leanne Taveggia Farrell; Westman, Champlin & Koehler, P.A.

(57) **CLAIM**  
The ornamental design for a display unit, as shown and described.

**DESCRIPTION**  
FIG. 1 is a perspective view of a display unit showing our new design;  
FIG. 2 is a right side view thereof; the left side view being a mirror image;  
FIG. 3 is a front view thereof;  
FIG. 4 is a back view thereof;  
FIG. 5 is a top view thereof;  
FIG. 6 is a perspective view of FIG. 1 shown in an alternate position;  
FIG. 7 is a right side view of FIG. 6, the left side view being a mirror image;  
FIG. 8 is a front view of FIG. 6;  
FIG. 9 is a back view of FIG. 6; and,  
FIG. 10 is a top view of FIG. 6.  
The broken lines shown in the drawings are included for purposes of illustrating portions of the display unit and form no part of the claimed design.

**1 Claim, 8 Drawing Sheets**



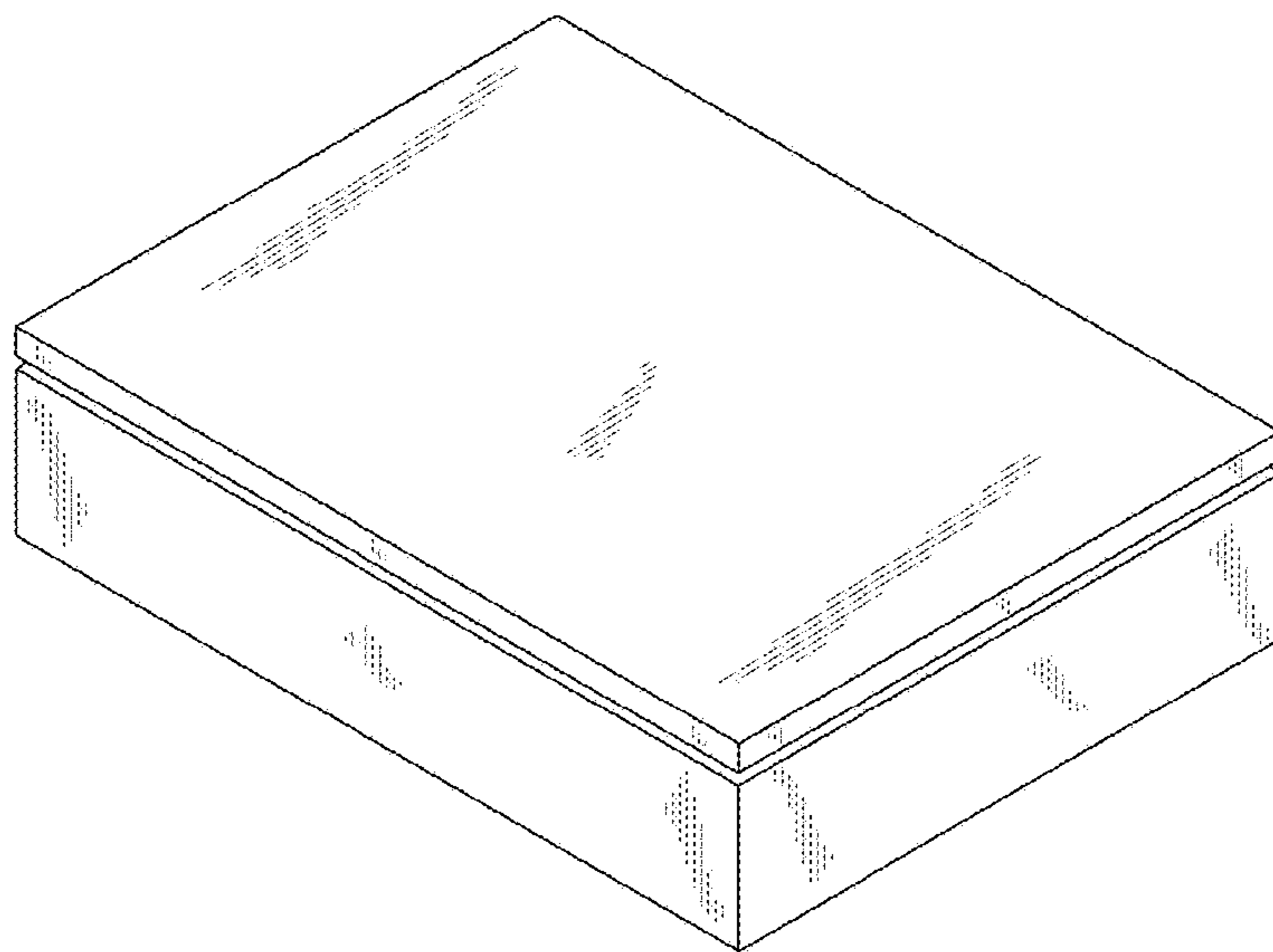
(56)

**References Cited**

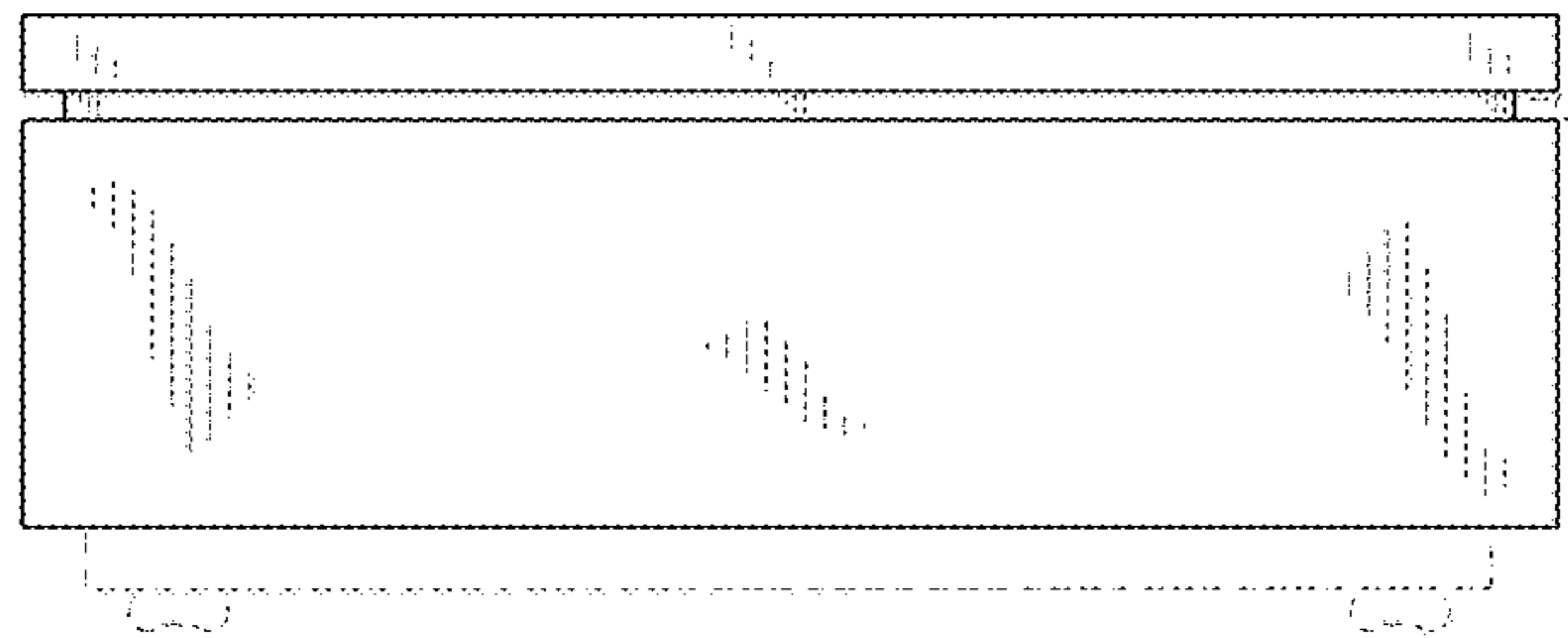
U.S. PATENT DOCUMENTS

5,989,035 A \* 11/1999 Okoye ..... G09B 19/02  
206/315.1  
D422,810 S \* 4/2000 Rasp ..... D6/691.4  
D545,525 S \* 6/2007 Godward ..... D99/25  
D587,495 S \* 3/2009 Levinger ..... D3/295  
D613,522 S \* 4/2010 Kanthasamy ..... D6/667  
D664,767 S \* 8/2012 Shewmaker ..... D3/294  
D764,910 S \* 8/2016 Akana ..... D9/432  
D788,462 S \* 6/2017 Zhu ..... D3/294  
9,856,050 B2 \* 1/2018 Madwar ..... B65D 5/445  
D812,933 S \* 3/2018 Leonorovitz ..... D6/667  
D812,934 S \* 3/2018 Leonorovitz ..... D6/667  
D821,087 S \* 6/2018 Lihotzky ..... D3/203.1  
D833,866 S \* 11/2018 Lihotzky ..... D9/432  
D844,456 S \* 4/2019 O'Neill ..... D9/737  
D848,862 S \* 5/2019 O'Neill ..... D9/737  
2003/0193278 A1 \* 10/2003 Hellman ..... B65D 43/16  
312/327

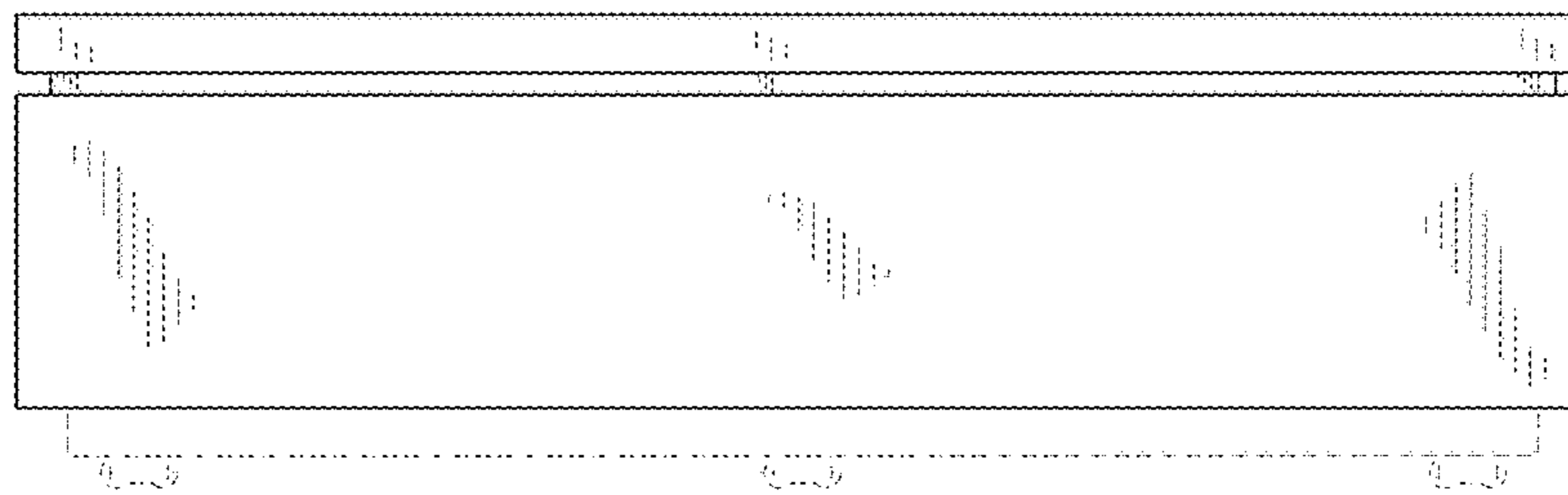
\* cited by examiner



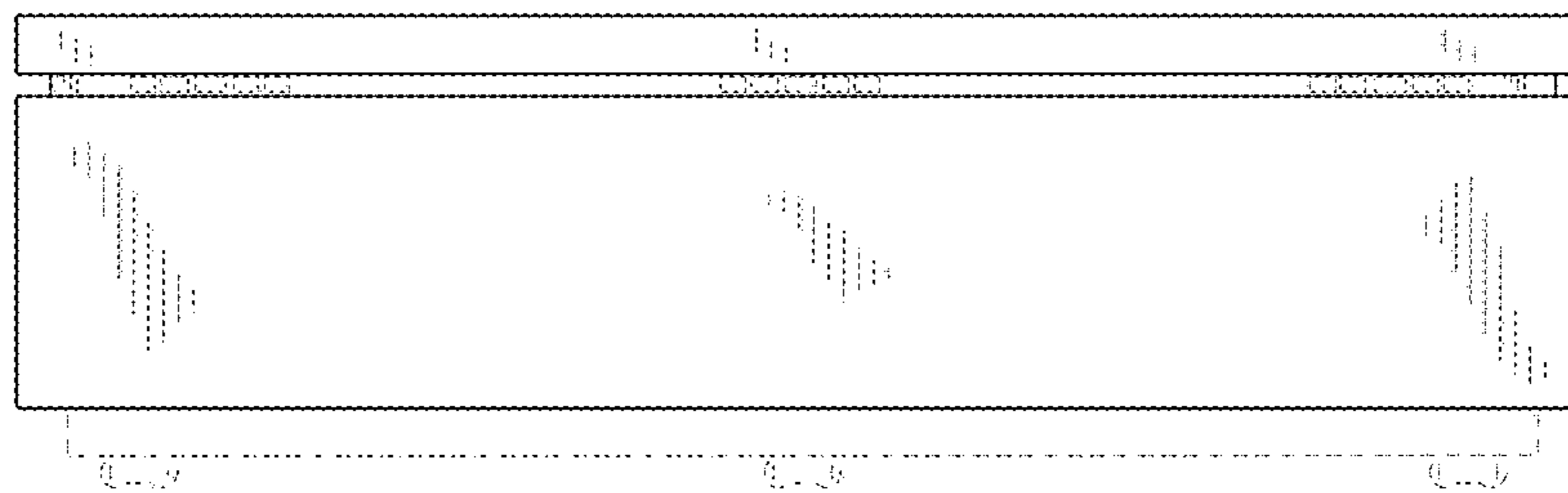
**FIG. 1**



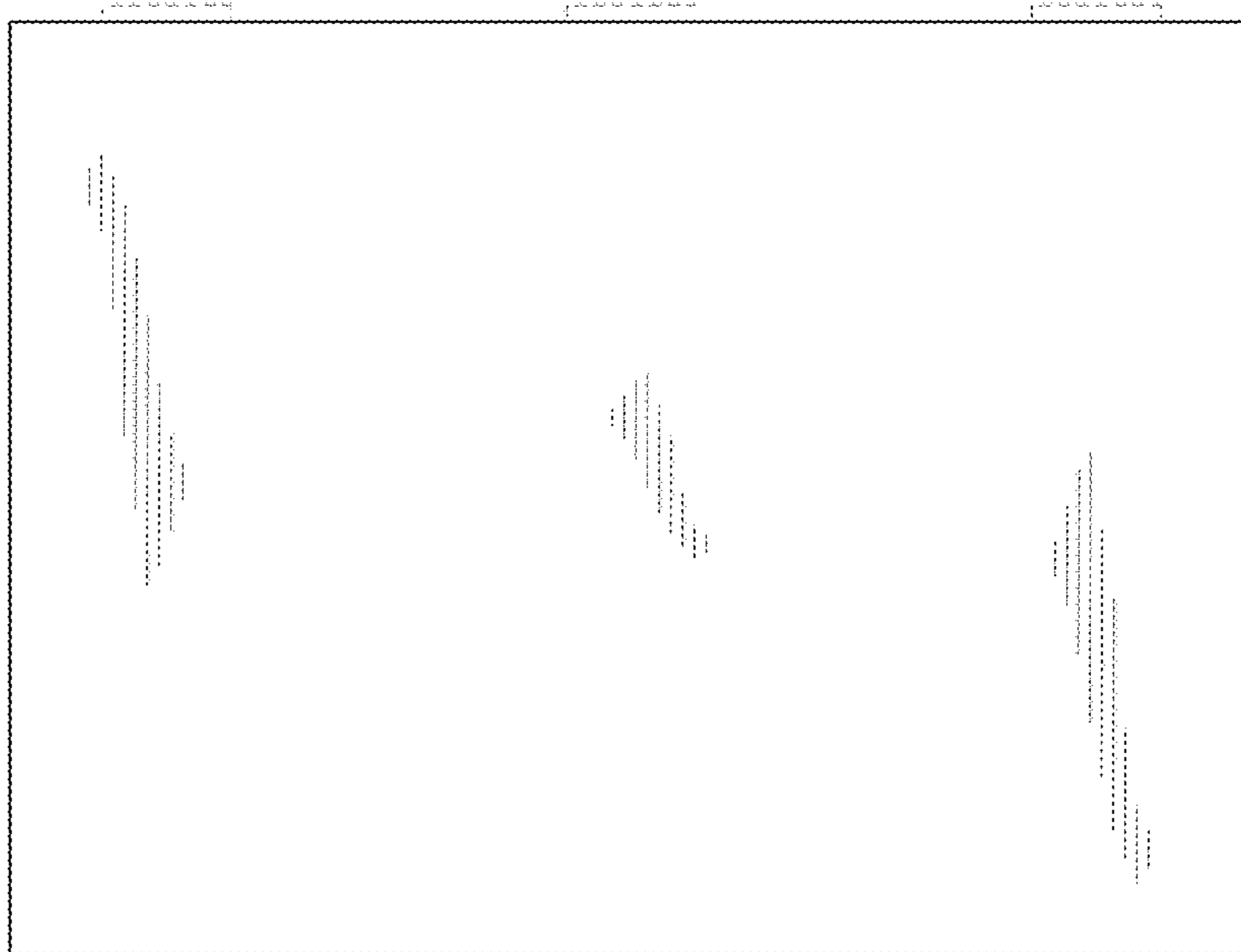
**FIG. 2**



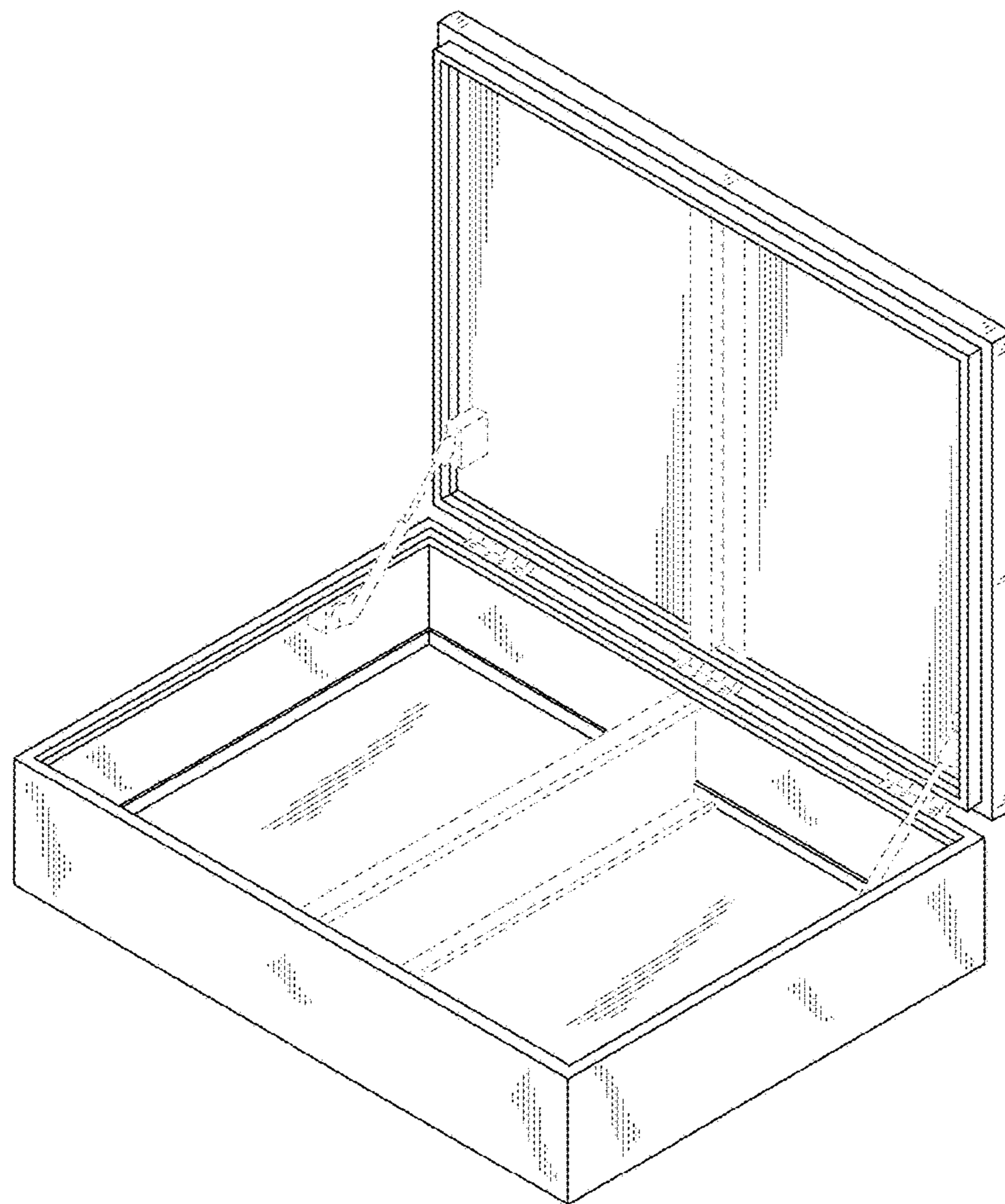
**FIG. 3**



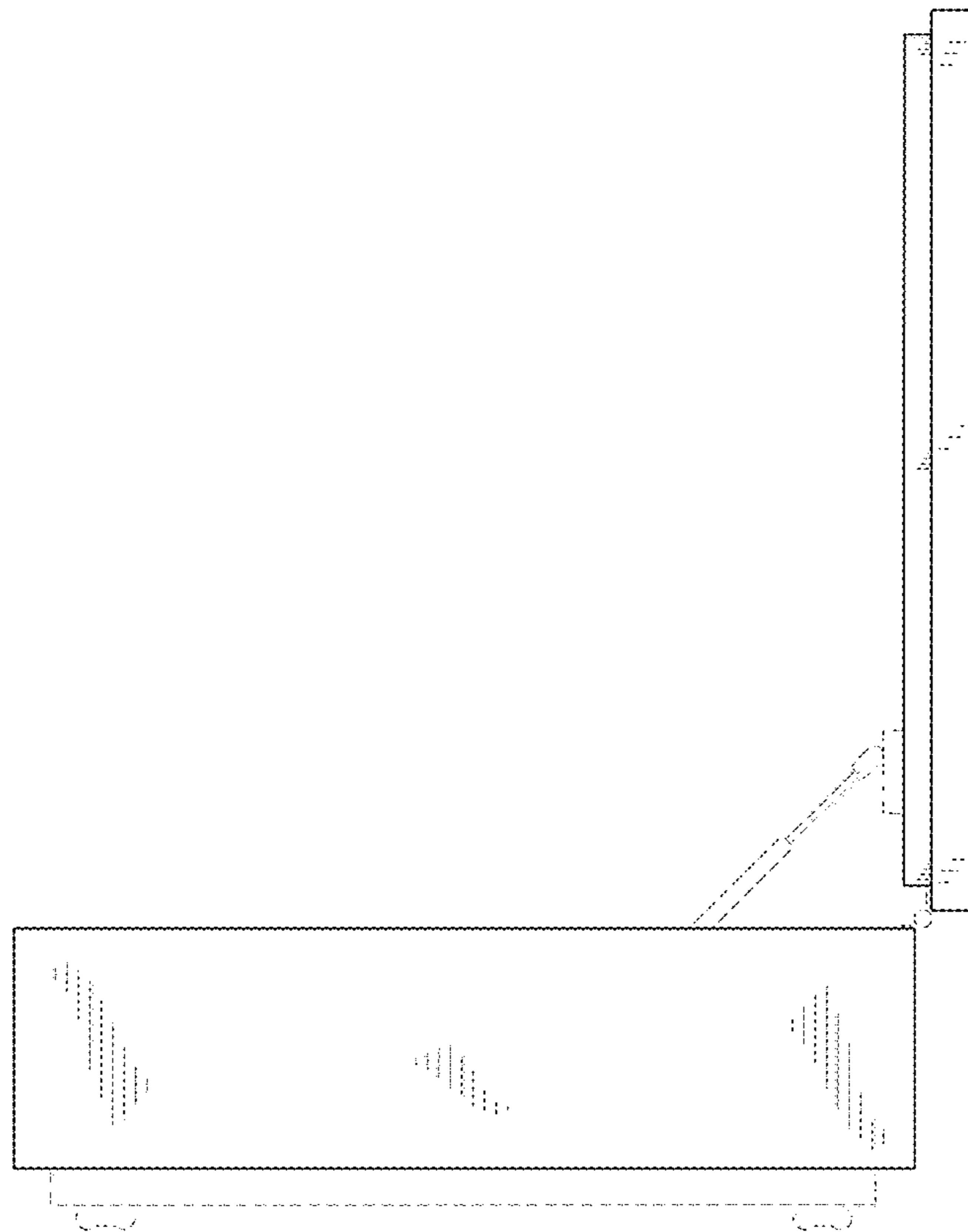
**FIG. 4**



**FIG. 5**

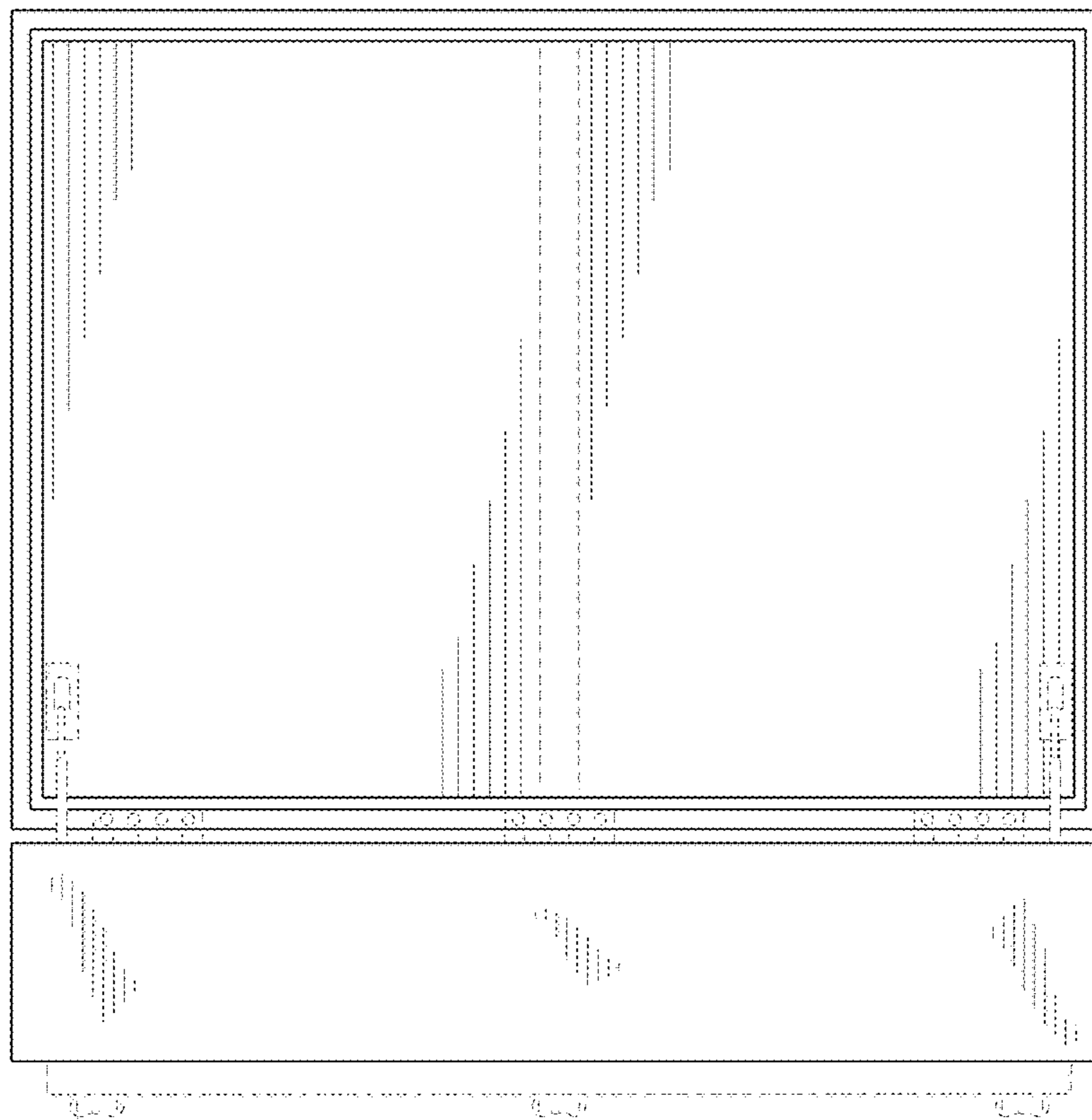


**FIG. 6**



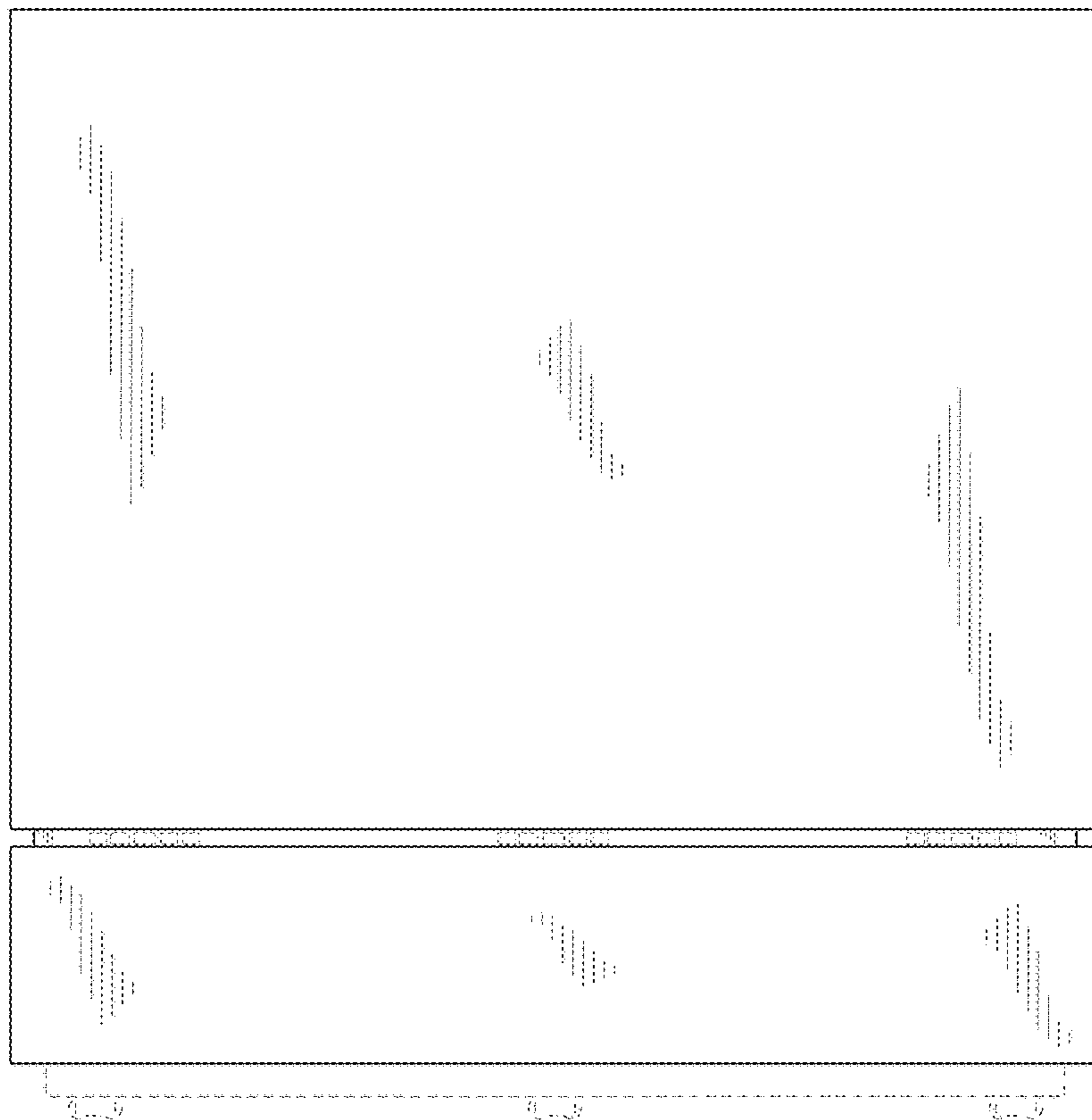
**FIG. 7**



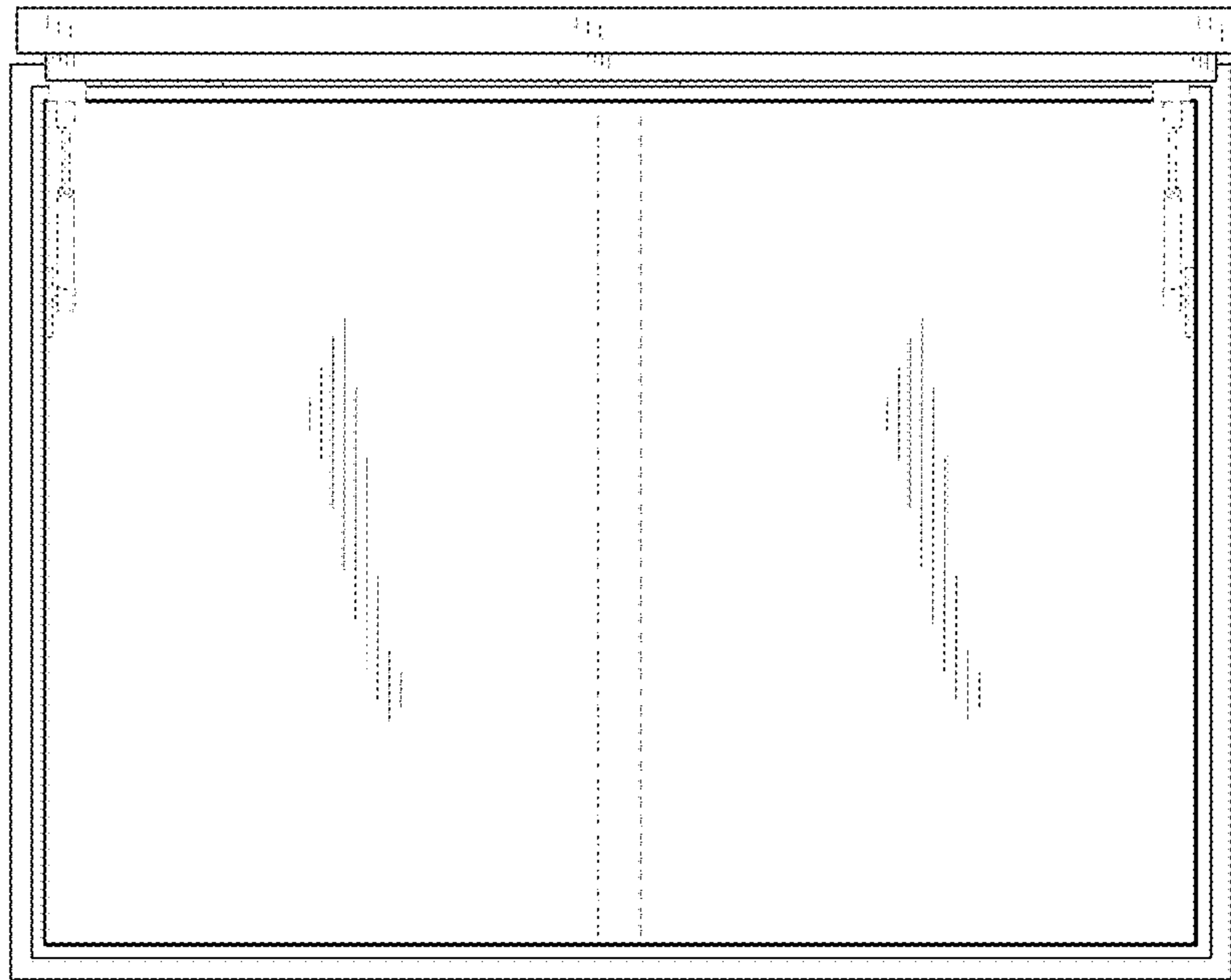


**FIG. 8**





**FIG. 9**



**FIG. 10**