



US00D865408S

(12) **United States Design Patent** (10) **Patent No.:** **US D865,408 S**
Gelman (45) **Date of Patent:** **** Nov. 5, 2019**

(54) **VANITY**

(71) Applicant: **E&T HORIZONS LIMITED LIABILITY COMPANY**, Melbourne, FL (US)

(72) Inventor: **Eric Gelman**, Melbourne, FL (US)

(73) Assignee: **E&T HORIZONS LIMITED LIABILITY COMPANY**, Melbourne, FL (US)

(**) Term: **15 Years**

(21) Appl. No.: **29/657,751**

(22) Filed: **Jul. 25, 2018**

(51) **LOC (12) Cl.** **06-04**

(52) **U.S. Cl.**
USPC **D6/663**

(58) **Field of Classification Search**
USPC D23/286, 308; D6/653.1, 657, 659-661, D6/663, 666, 671, 691.3, 709, 661.3, 668, D6/688.21; D25/48.7, 48.3
CPC A47B 2200/12; A47B 88/40; A47B 77/06; E01C 1/33
See application file for complete search history.

(56) **References Cited**

U.S. PATENT DOCUMENTS

D468,556 S *	1/2003	Berry, Jr.	D6/668.2
D471,378 S *	3/2003	Lenger	D6/657
D474,045 S *	5/2003	Berry, Jr.	D6/668.2
D501,100 S *	1/2005	Walker	D6/663
9,032,566 B2 *	5/2015	Le Duff	A47B 77/06 312/228
D747,900 S *	1/2016	Sheppard	D6/661

OTHER PUBLICATIONS

48" Alcott Bamboo Vanity for Undermount Sink, <https://www.signaturehardware.com/bathroom/bathroom-vanities/undermount-sink-vanities/48-loei-bamboo-vanity-with-undermount-sink.html>[Jul. 24, 2019 4:31:39 PM] (Year: 2019).*

* cited by examiner

Primary Examiner — Robert A Delehanty
(74) *Attorney, Agent, or Firm* — Mark Malek; Widerman Malek, PL

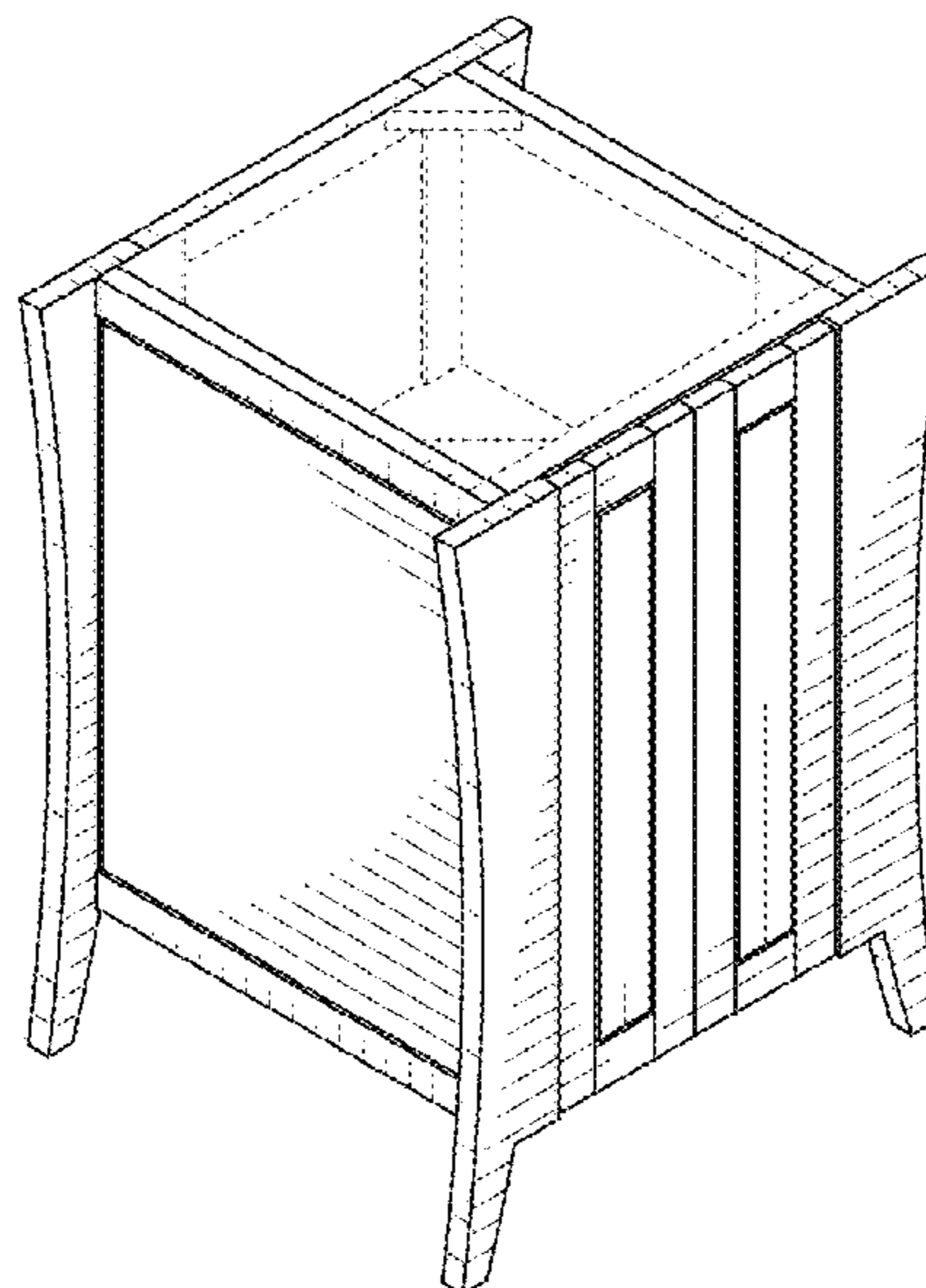
(57) **CLAIM**

The ornamental design for a vanity, as shown and described.

DESCRIPTION

FIG. 1 is a front perspective view of a vanity according to the present invention.
FIG. 2 is a front elevation view of the vanity illustrated in FIG. 1.
FIG. 3 is a rear elevation view of the vanity illustrated in FIG. 1.
FIG. 4 is a side elevation view of the vanity illustrated in FIG. 1.
FIG. 5 is another side elevation view of the vanity illustrated in FIG. 1.
FIG. 6 is a top plan view of the vanity illustrated in FIG. 1.
FIG. 7 is a bottom plan view of the vanity illustrated in FIG. 1; and,
FIG. 8 is a rear perspective view of the vanity illustrated in FIG. 1.
The broken lines depict interior portions of the vanity that form no part of the claimed invention.

1 Claim, 5 Drawing Sheets



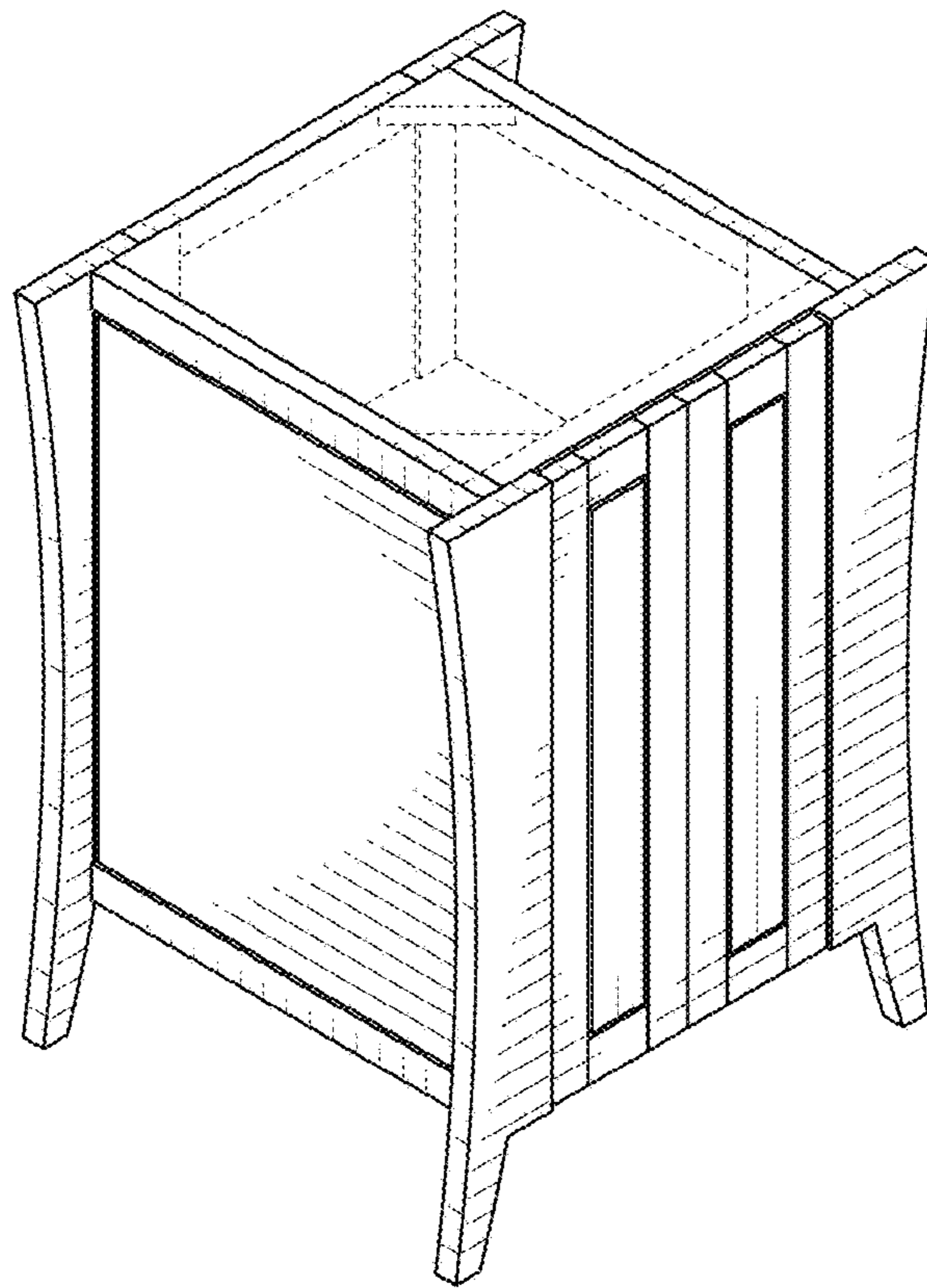


FIG. 1

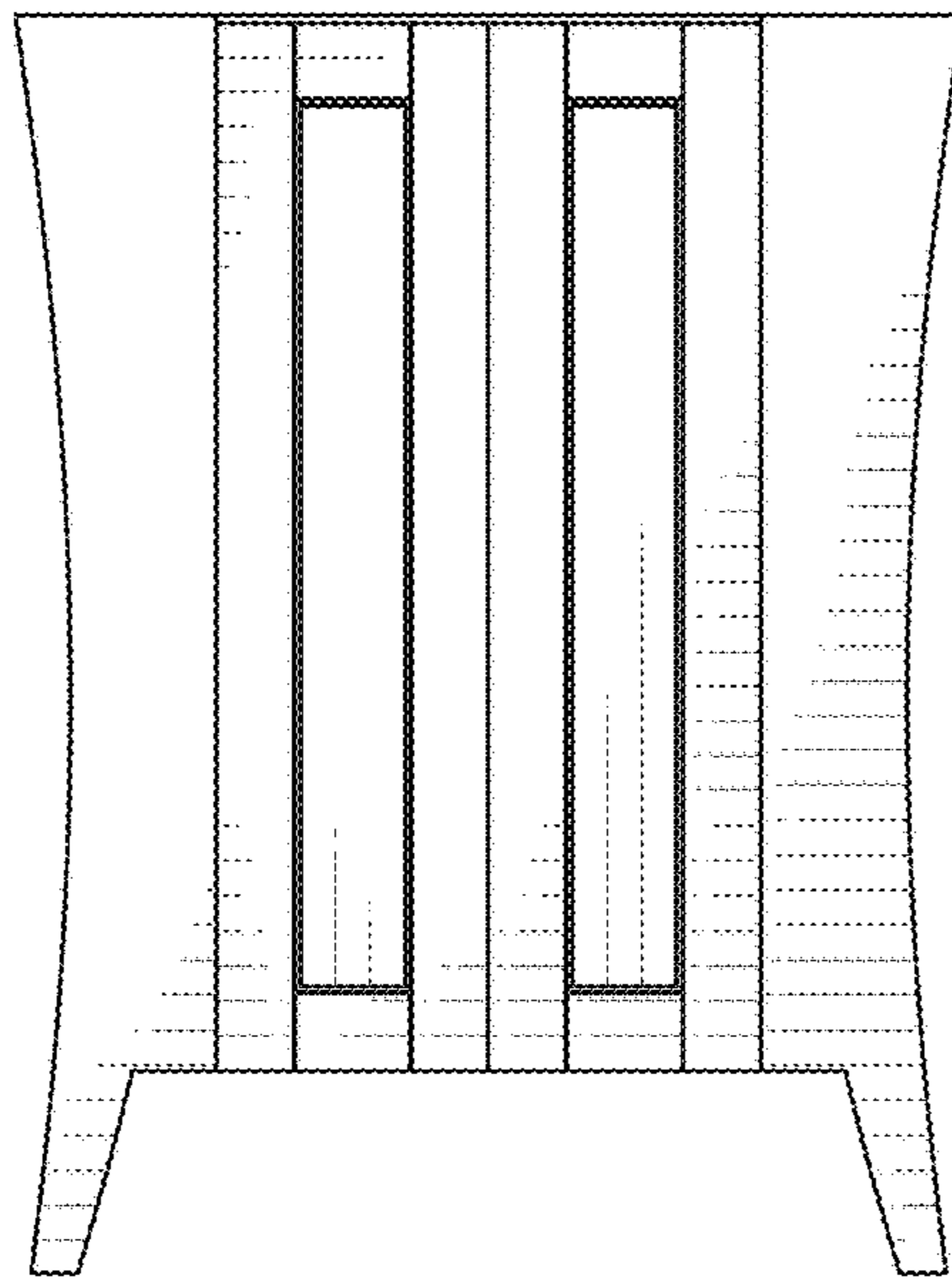


FIG. 2

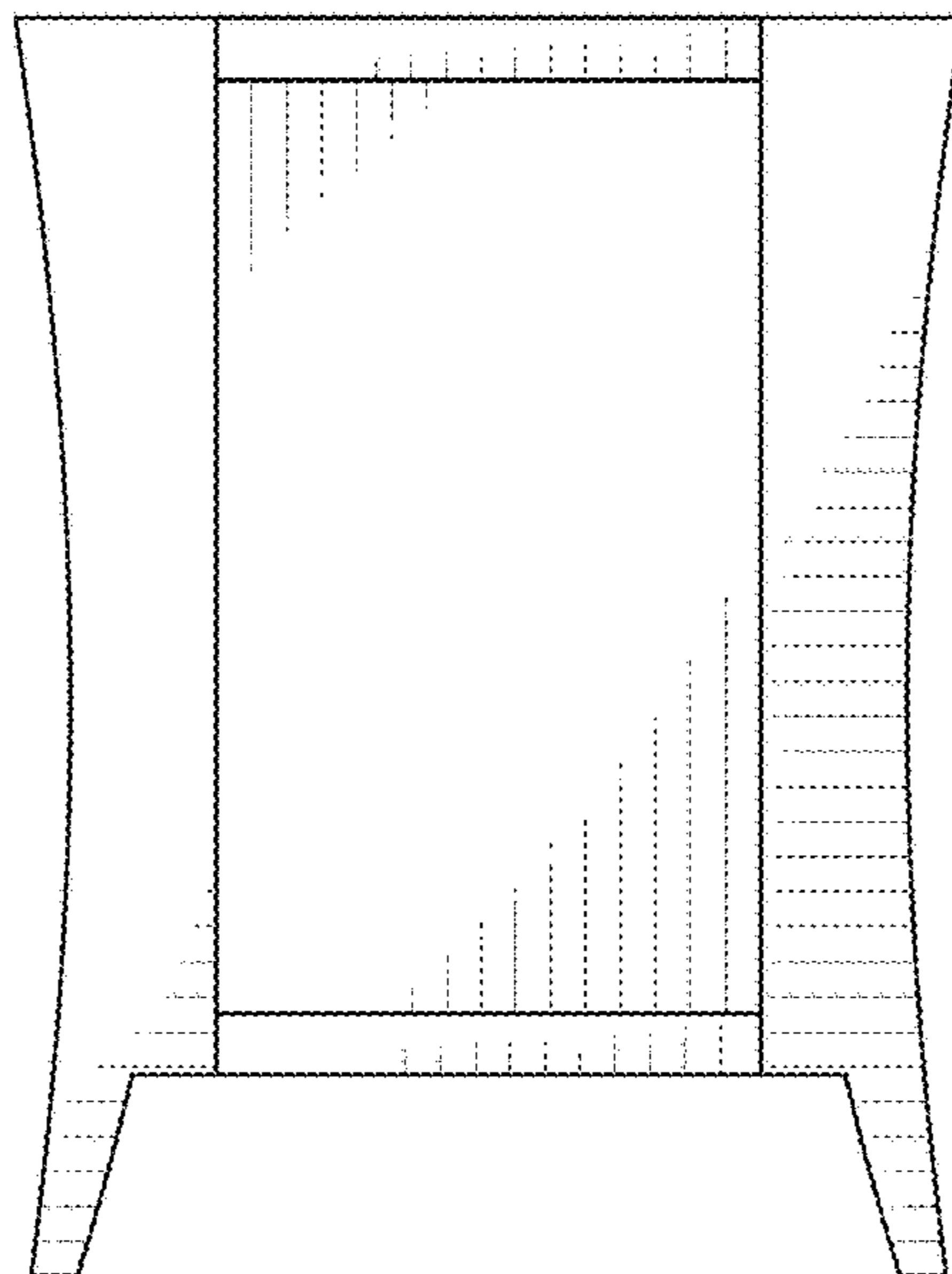


FIG. 3

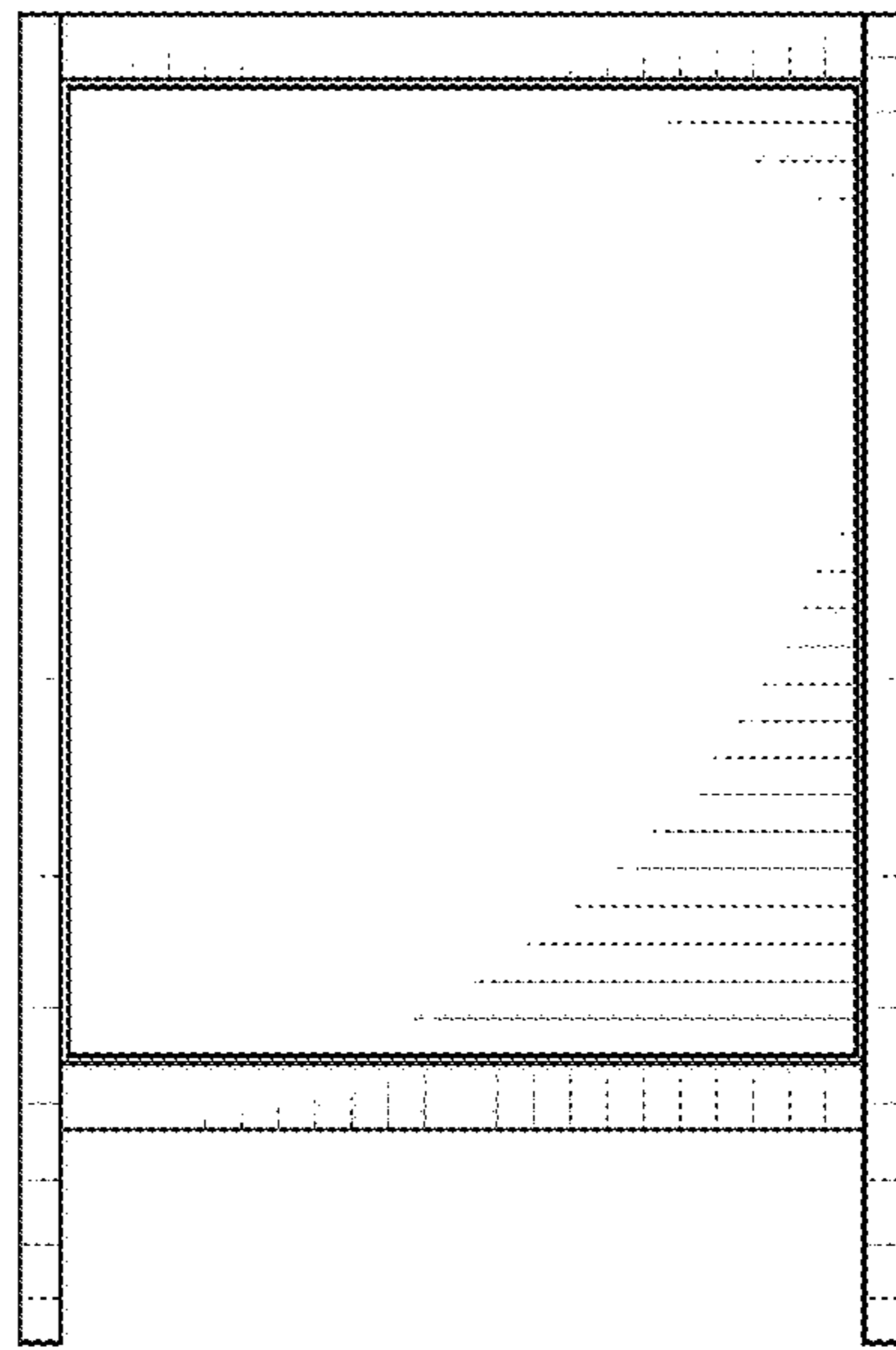


FIG. 4

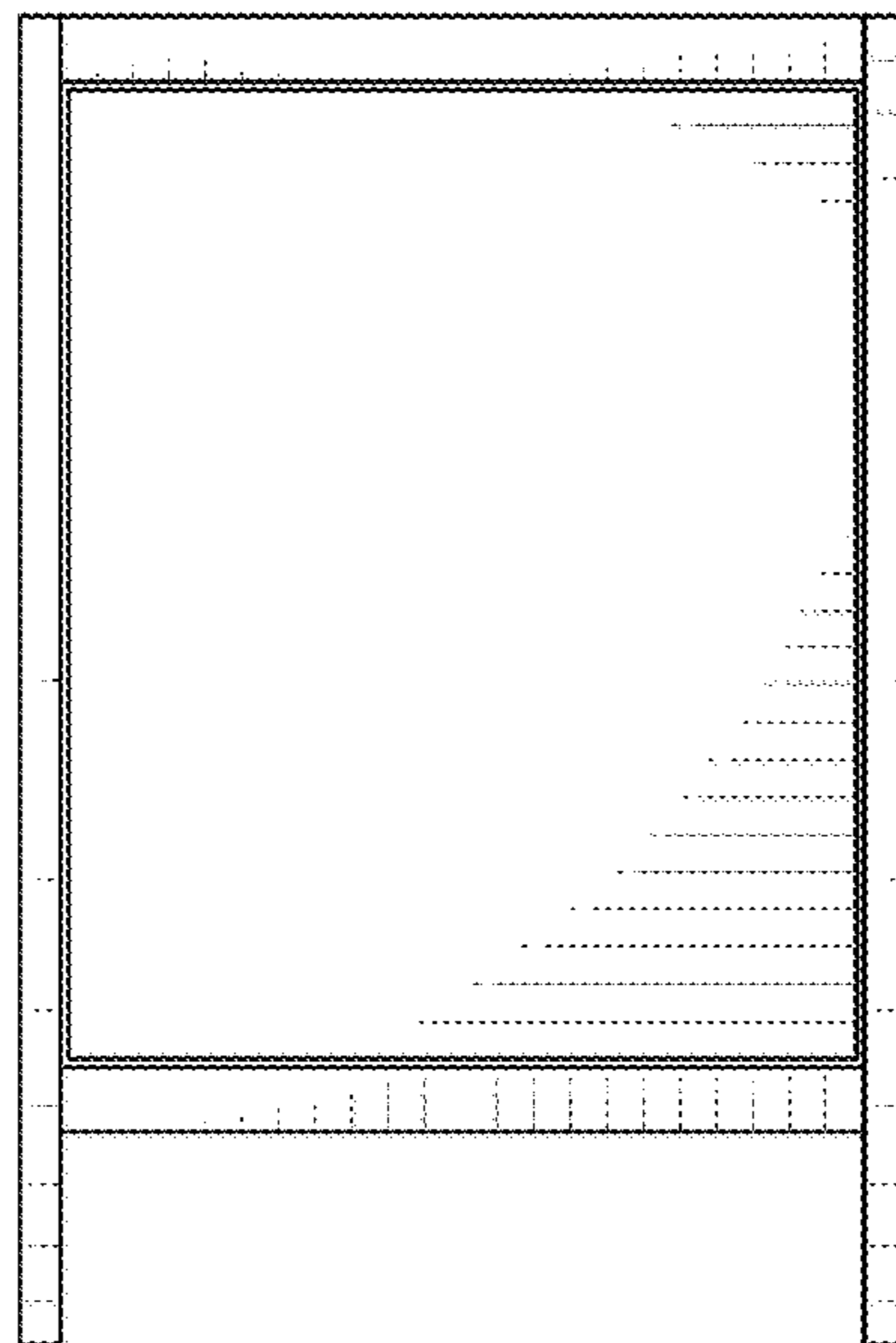


FIG. 5

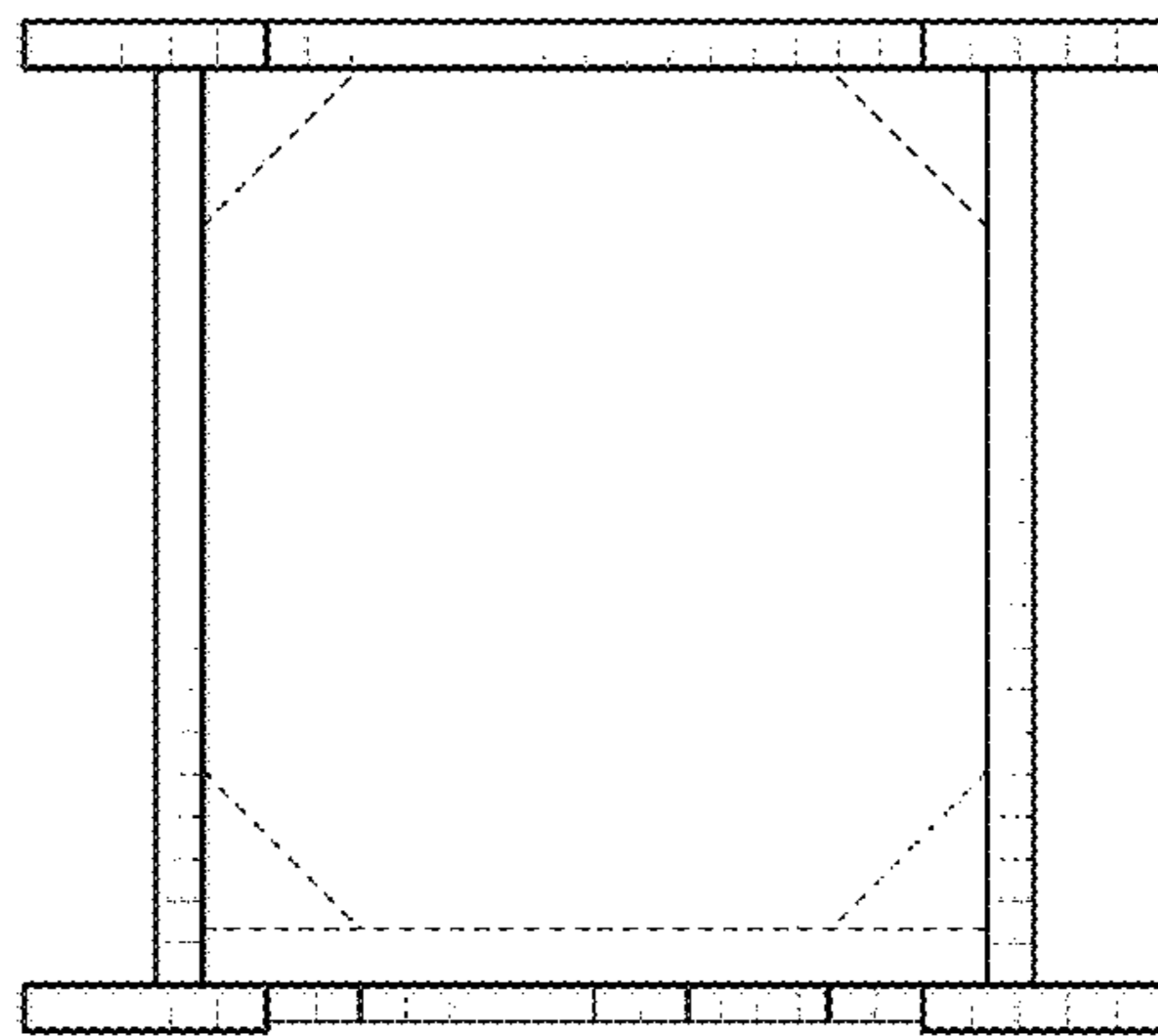


FIG. 6

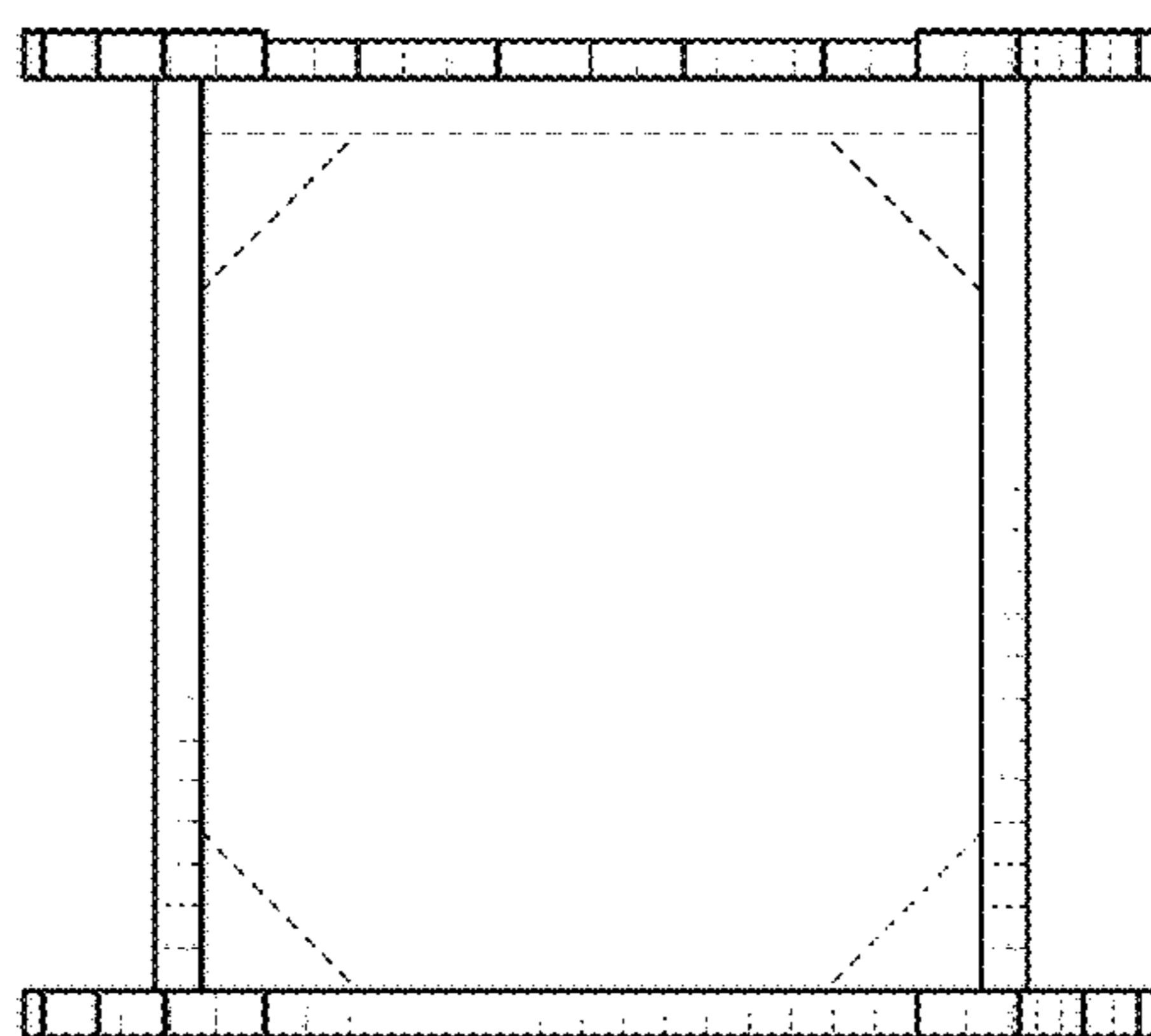


FIG. 7

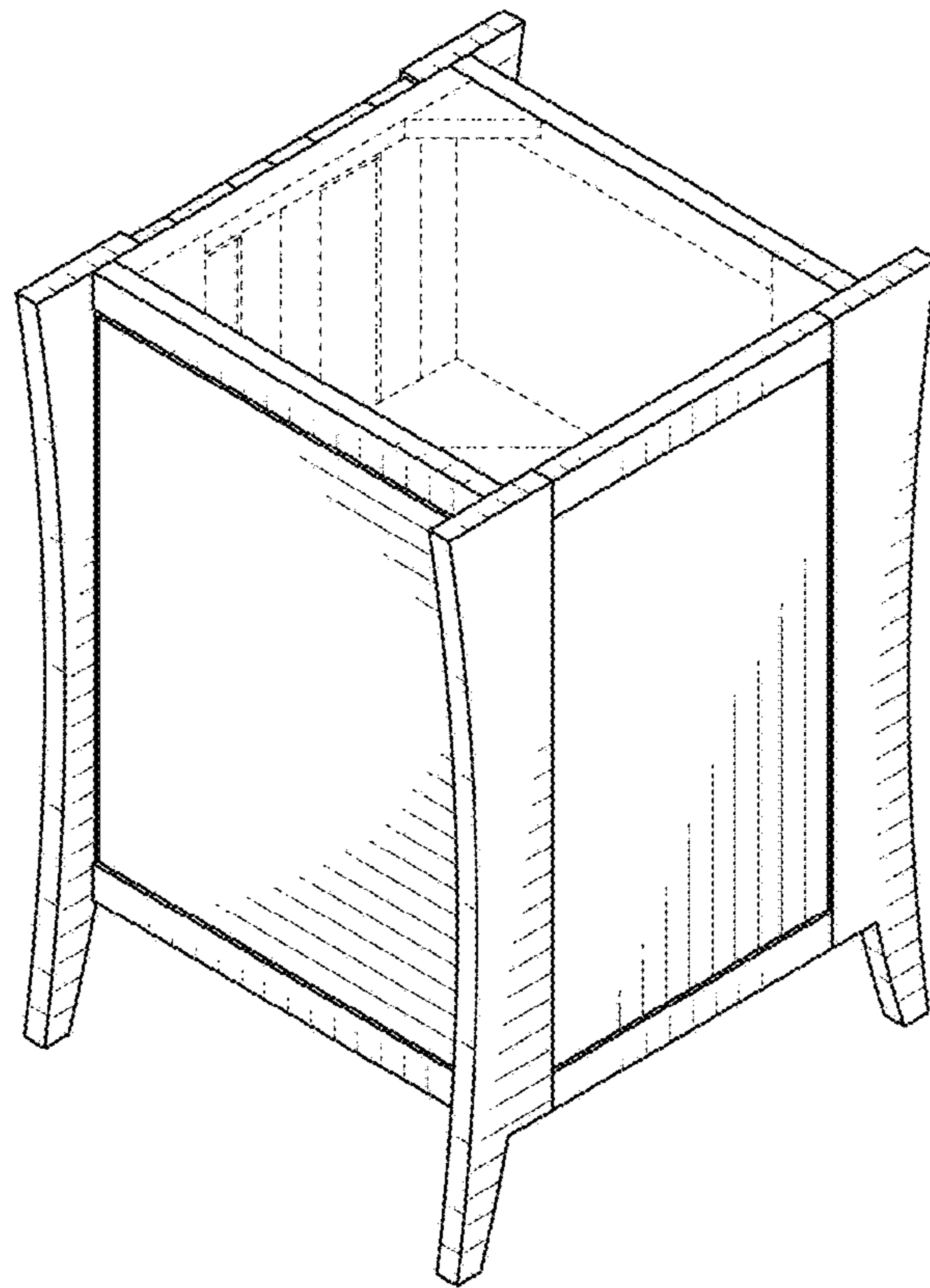


FIG. 8