



US00D865406S

(12) **United States Design Patent**
Gelman

(10) **Patent No.:** **US D865,406 S**

(45) **Date of Patent:** **** Nov. 5, 2019**

(54) **VANITY**

(71) Applicant: **E&T HORIZONS LIMITED LIABILITY COMPANY**, Melbourne, FL (US)

(72) Inventor: **Eric Gelman**, Melbourne, FL (US)

(73) Assignee: **E&T Horizons Limited Liability Company**, Melbourne, FL (US)

(**) Term: **15 Years**

(21) Appl. No.: **29/657,715**

(22) Filed: **Jul. 25, 2018**

(51) **LOC (12) Cl.** **06-04**

(52) **U.S. Cl.**
USPC **D6/657**

(58) **Field of Classification Search**
USPC D23/286, 308; D6/653.1, 657, 659-661, D6/663, 666, 671, 691.3, 709, 661.3, 668, D6/688.21
CPC A47B 2200/12; A47B 88/40; A47B 77/06; E01C 1/33
See application file for complete search history.

(56) **References Cited**

U.S. PATENT DOCUMENTS

D352,607 S	*	11/1994	Woudstra	D6/671.1
D403,529 S	*	1/1999	De Blaay	D6/657
D432,817 S	*	10/2000	Gallien	D6/671
D441,565 S	*	5/2001	Cain	D6/657
D446,047 S	*	8/2001	Stone	D6/671
D471,378 S	*	3/2003	Lenger	D6/657
D501,100 S	*	1/2005	Walker	D6/663
D512,853 S	*	12/2005	Moser	D6/671.1
D513,137 S	*	12/2005	De Blaay	D6/657

D532,626 S	*	11/2006	McDiarmid	D6/671.1
D549,490 S	*	8/2007	Brimacombe	D6/663
D559,584 S	*	1/2008	Zambelli	D6/657
D591,976 S	*	5/2009	Mayer	D6/671.1
D620,727 S	*	8/2010	LeTourneau	D23/286
D717,082 S	*	11/2014	Dworman	D6/657
D747,900 S	*	1/2016	Sheppard	D6/661

* cited by examiner

Primary Examiner — Robert A Delehanty

(74) *Attorney, Agent, or Firm* — Mark Malek; Widerman Malek, PL

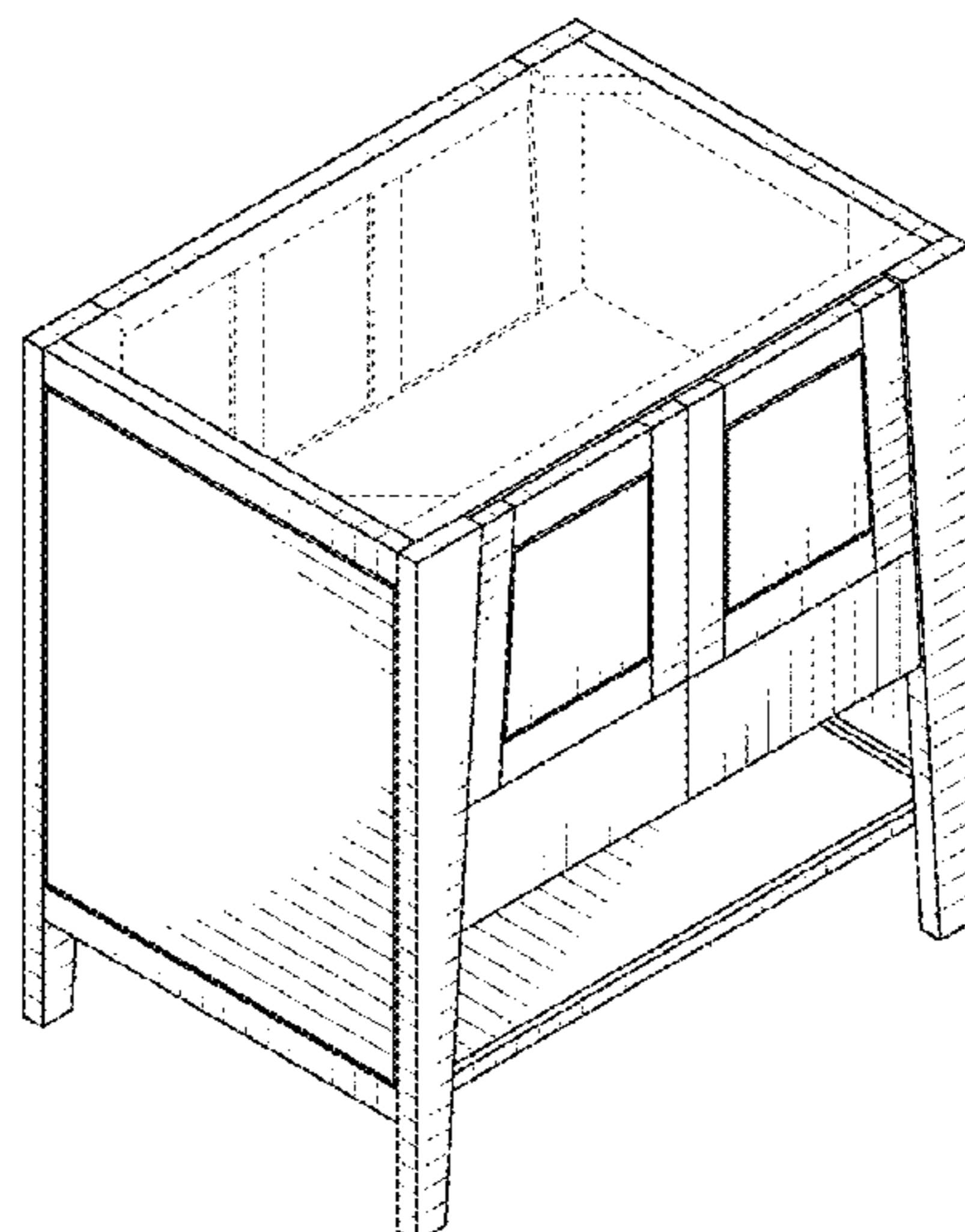
(57) **CLAIM**

The ornamental design for a vanity, as shown and described.

DESCRIPTION

FIG. 1 is a front perspective view of a vanity according to the present invention.
 FIG. 2 is a front elevation view of the vanity illustrated in FIG. 1.
 FIG. 3 is a rear elevation view of the vanity illustrated in FIG. 1.
 FIG. 4 is a side elevation view of the vanity illustrated in FIG. 1.
 FIG. 5 is another side elevation view of the vanity illustrated in FIG. 1.
 FIG. 6 is a top plan view of the vanity illustrated in FIG. 1.
 FIG. 7 is a bottom plan view of the vanity illustrated in FIG. 1; and,
 FIG. 8 is a rear perspective view of the vanity illustrated in FIG. 1.
 The broken lines depict interior portions of the vanity that form no part of the claimed invention.

1 Claim, 5 Drawing Sheets



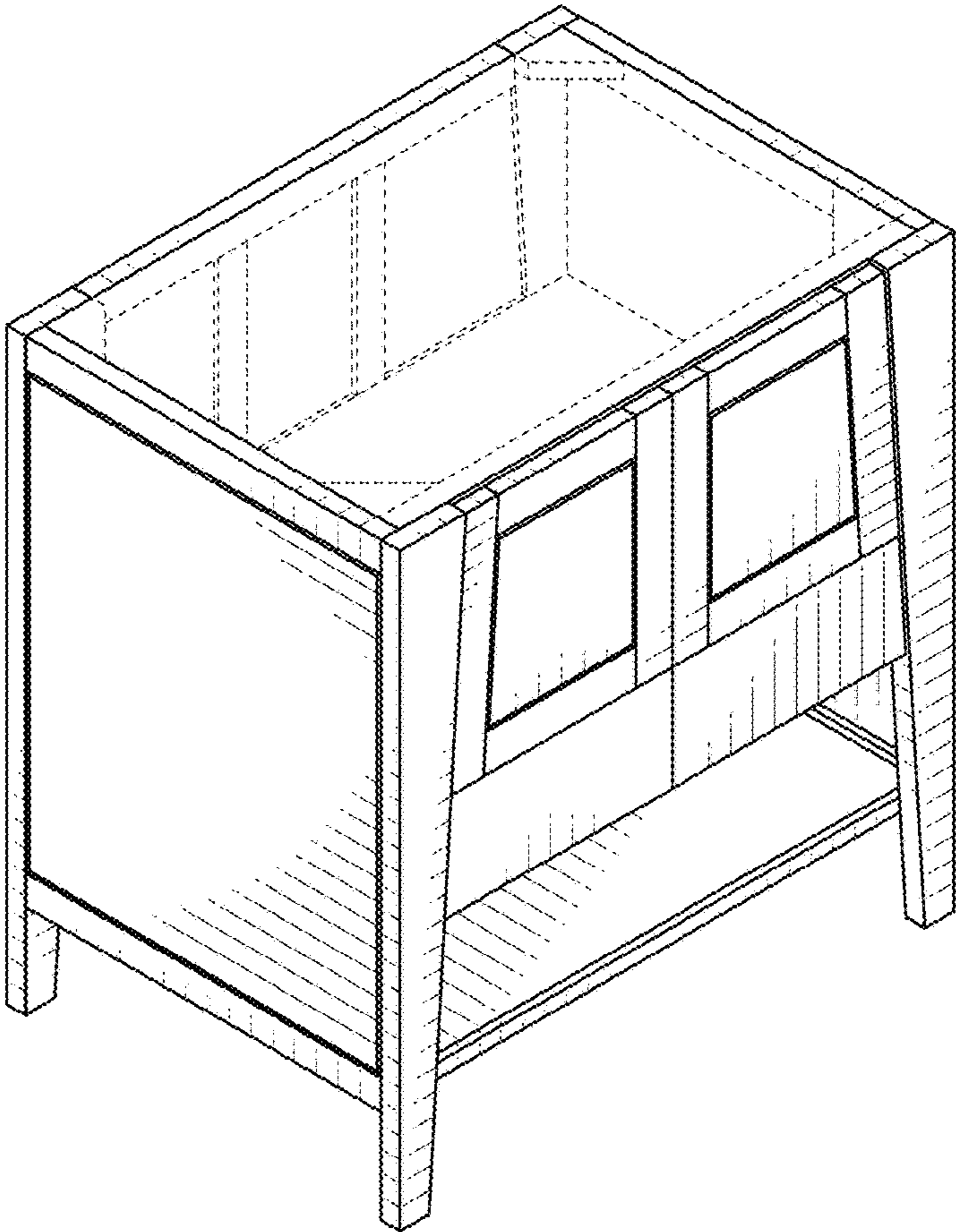


FIG. 1

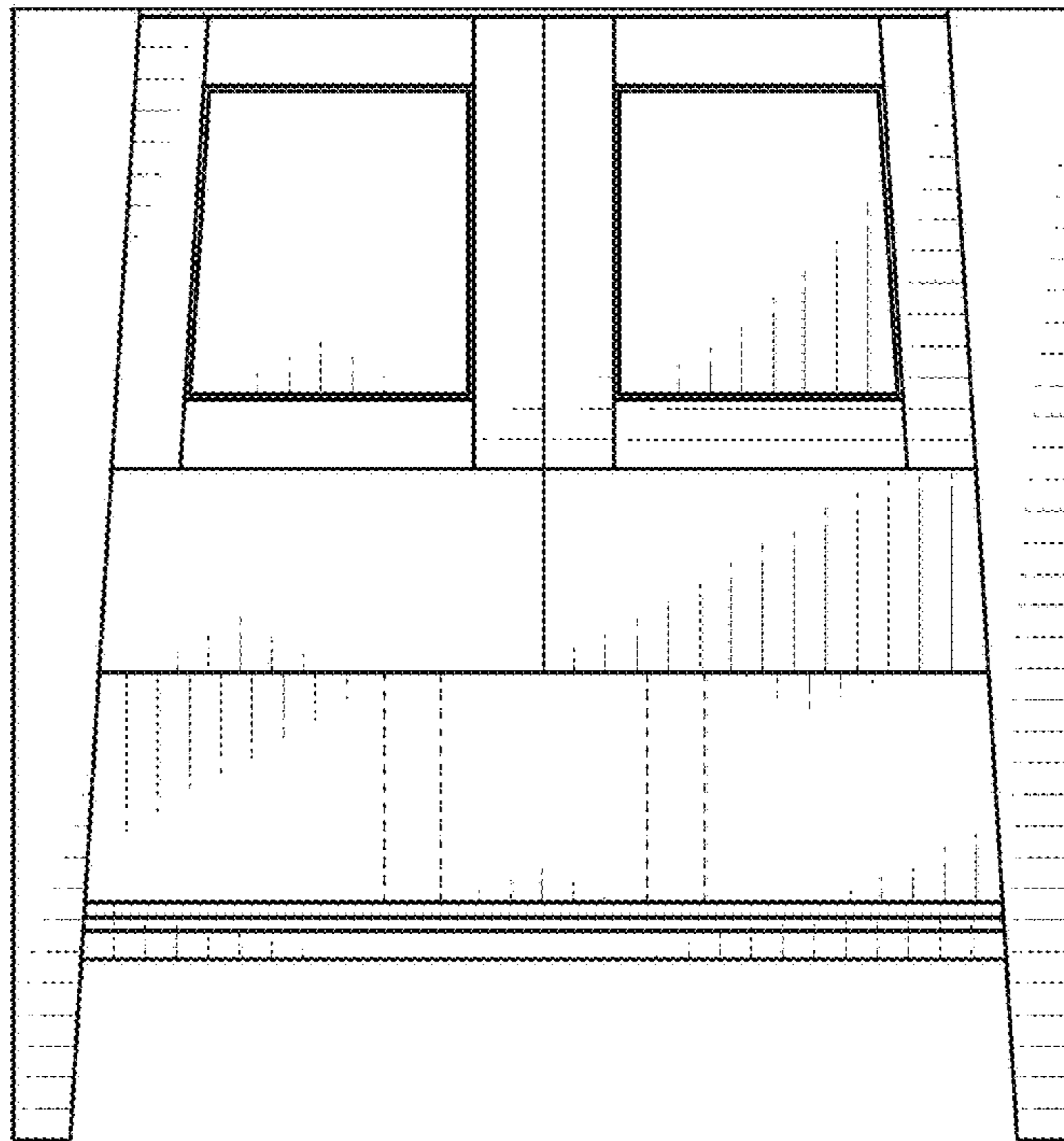


FIG. 2

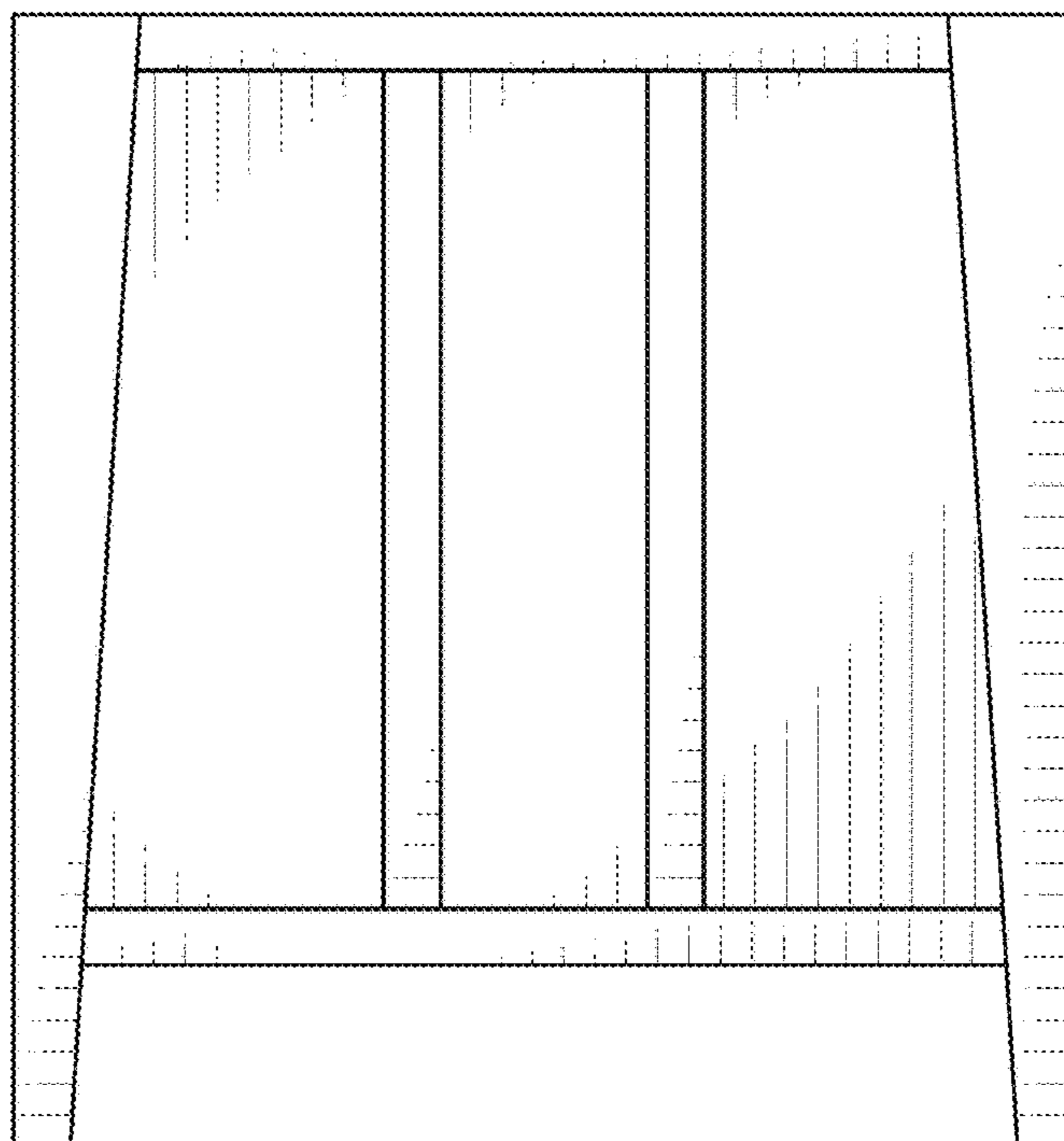


FIG. 3

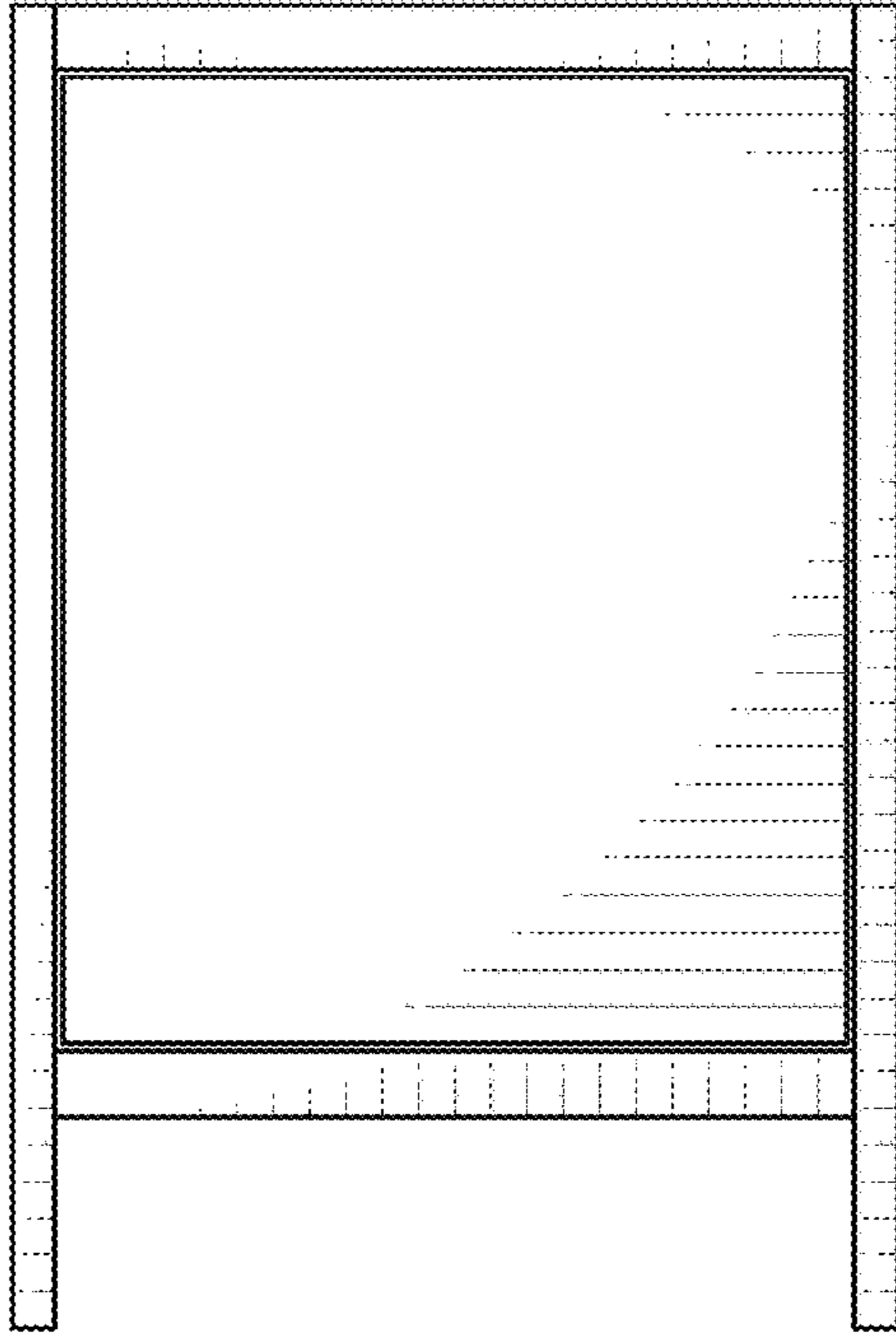


FIG. 4

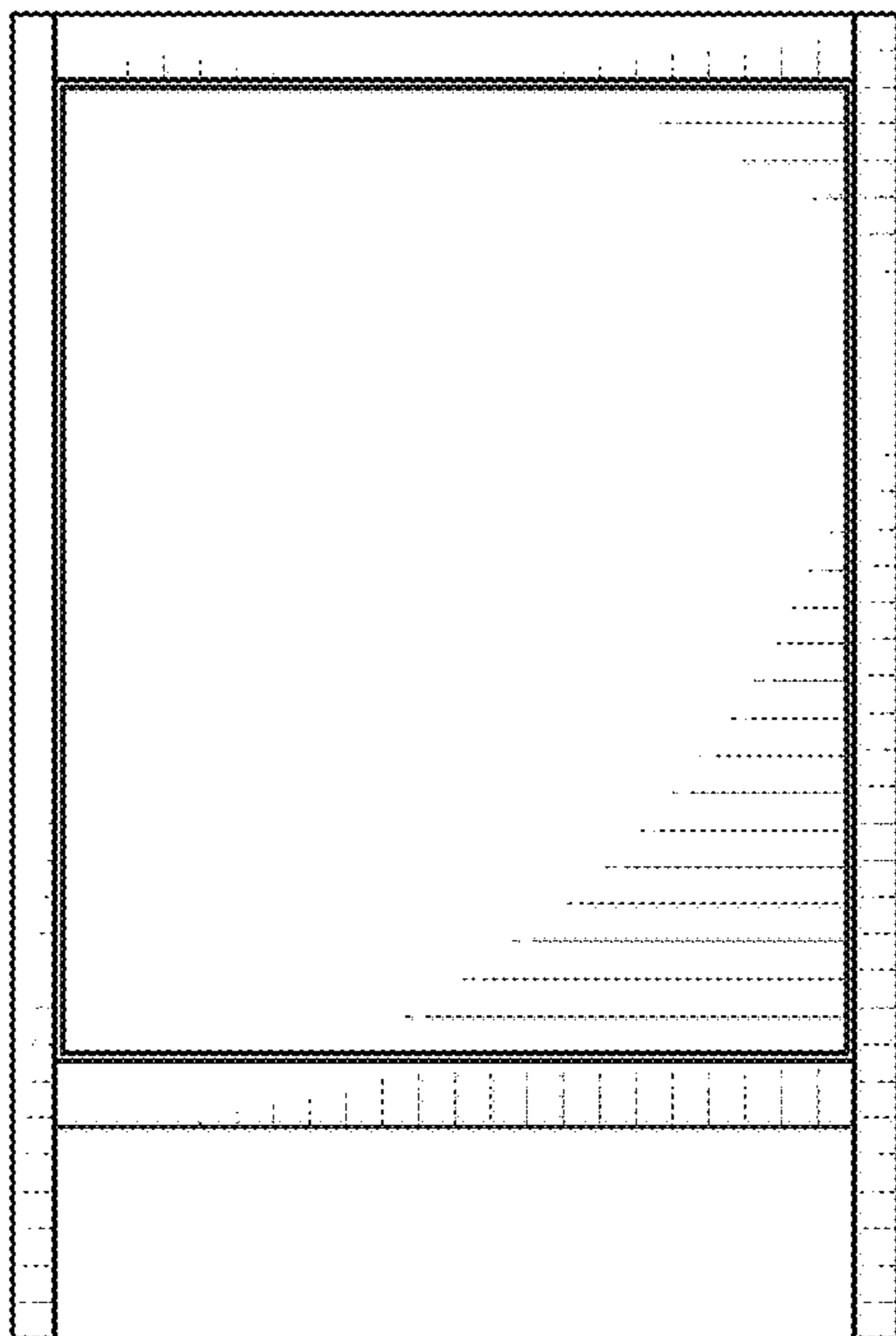


FIG. 5

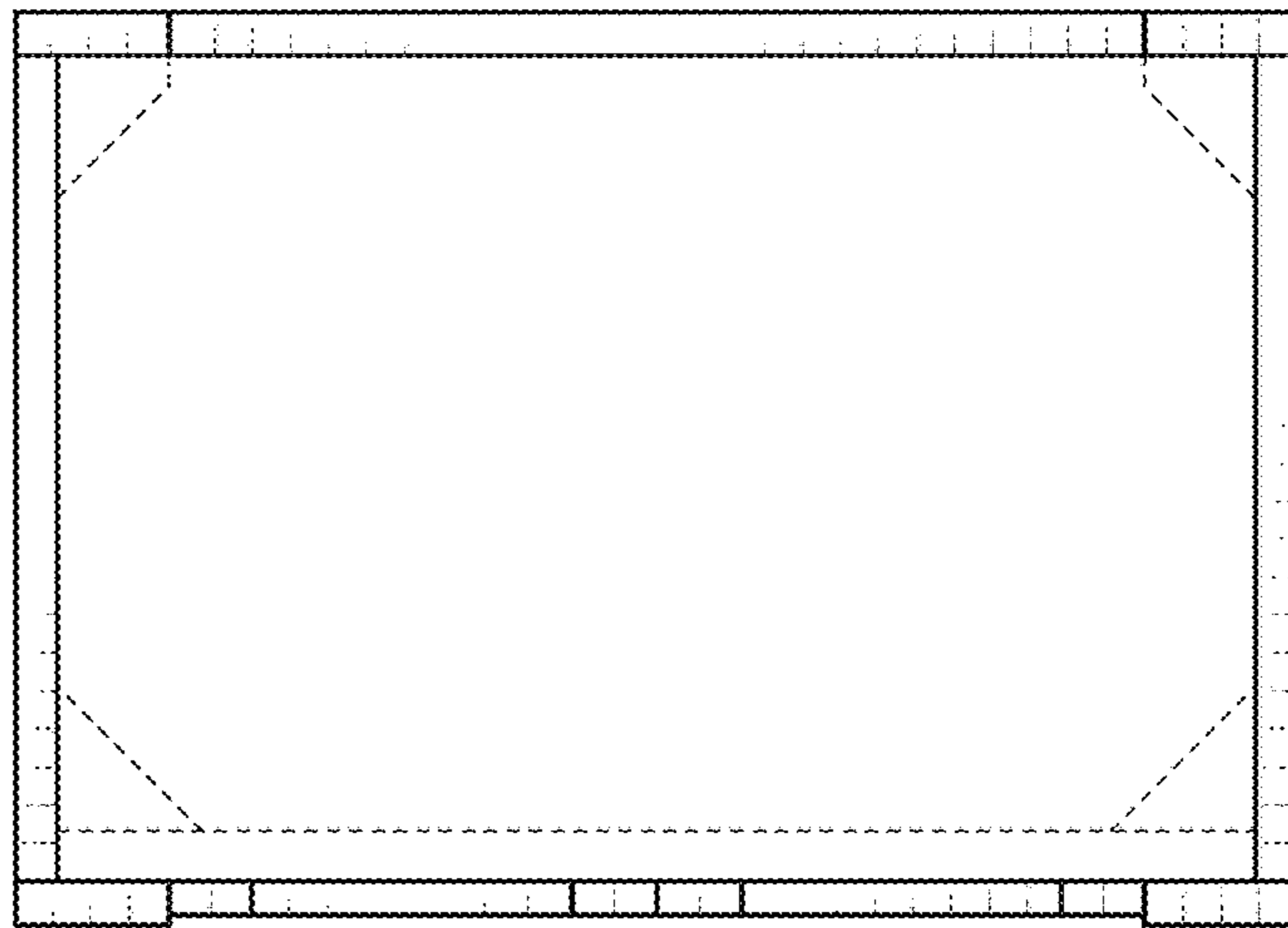


FIG. 6

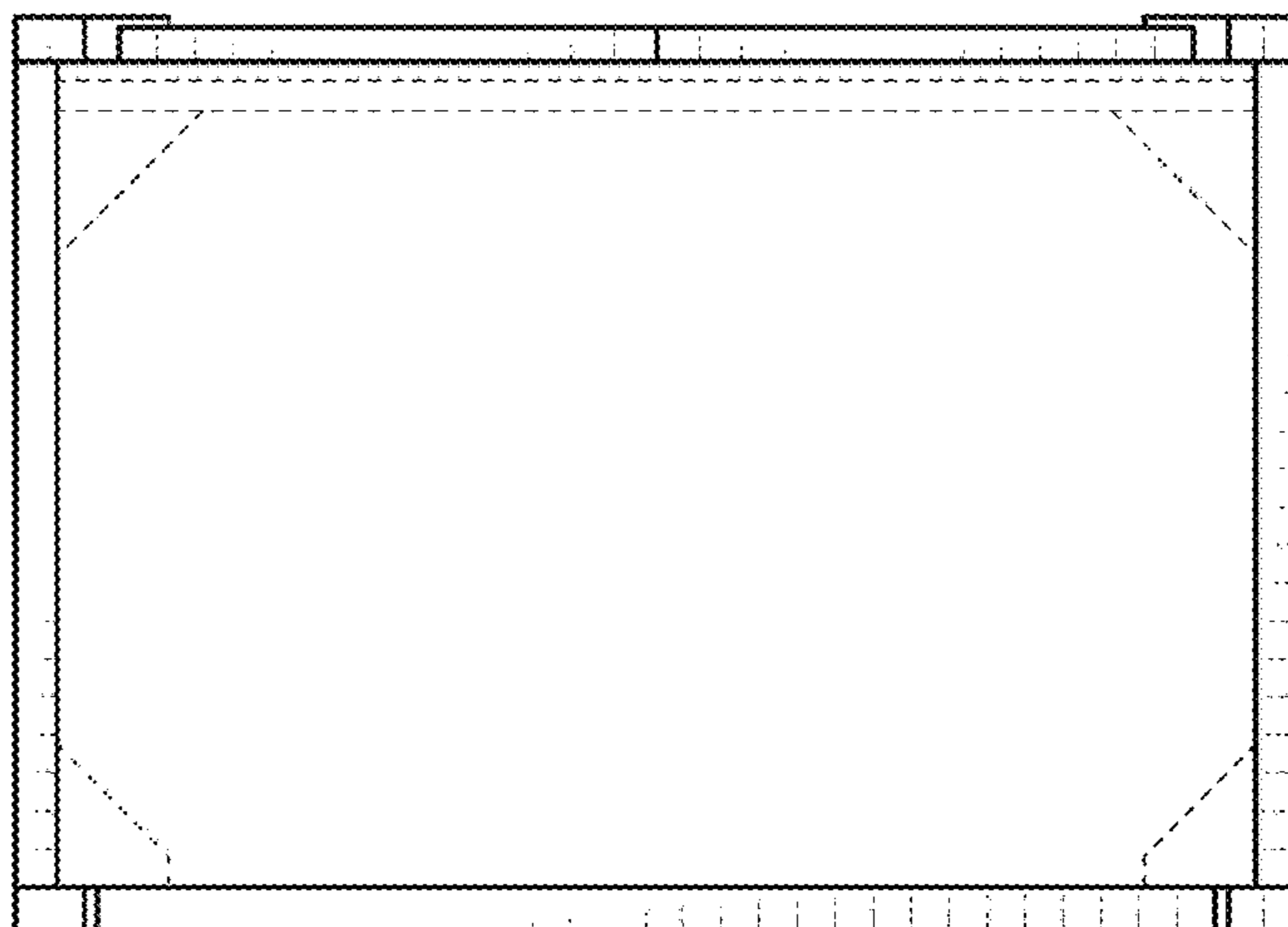


FIG. 7

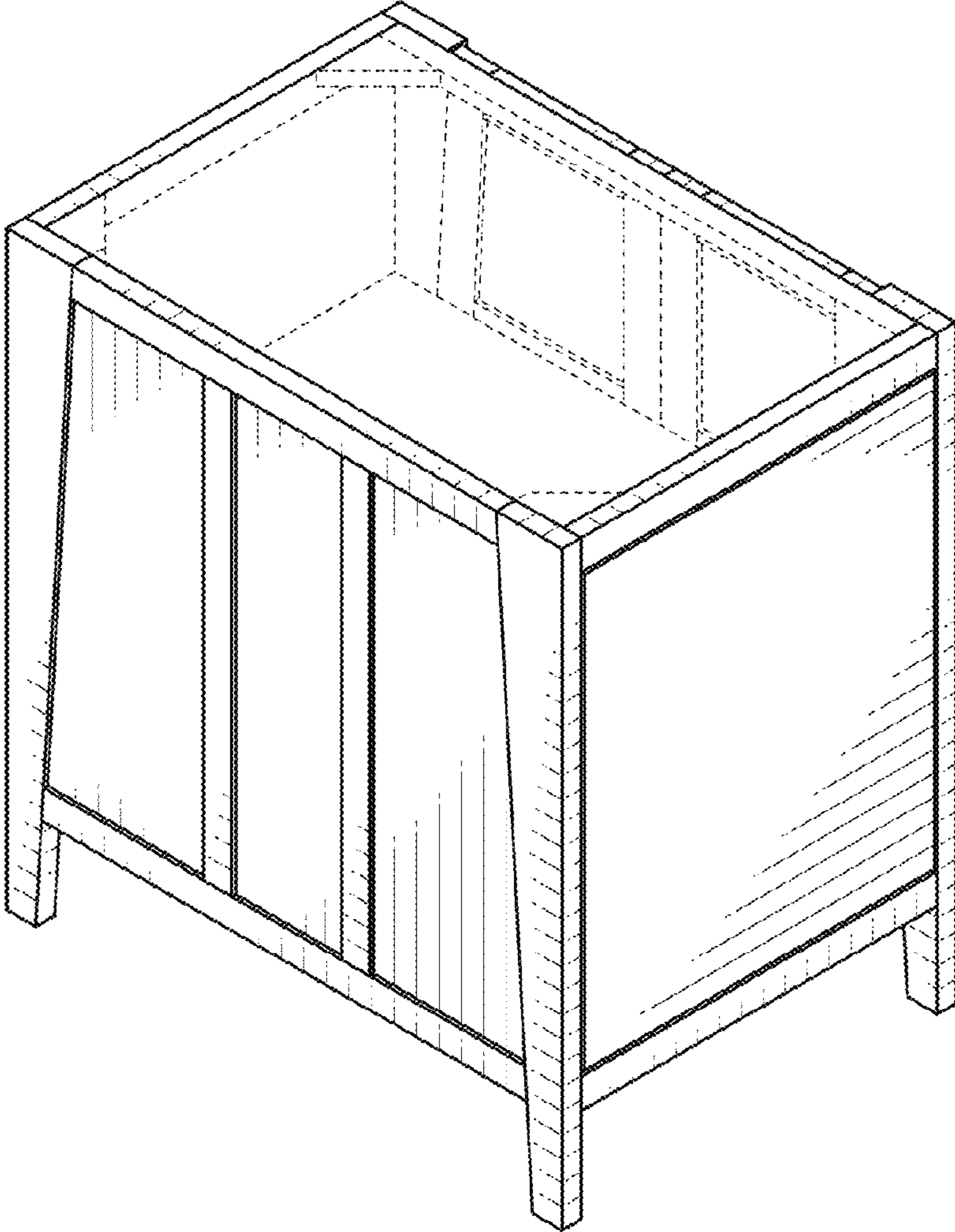


FIG. 8