

US00D865405S

(12) **United States Design Patent** (10) **Patent No.:** **US D865,405 S**
Hu (45) **Date of Patent:** **** Nov. 5, 2019**

- (54) **HEIGHT ADJUSTABLE GAMING DESK**
- (71) Applicant: **Yajun Hu**, El Dorado Hills, CA (US)
- (72) Inventor: **Yajun Hu**, El Dorado Hills, CA (US)
- (73) Assignees: **Yajun Hu**, El Dorado Hills, CA (US);
EUREKA LLC, El Dorado Hills, CA (US)

- D719,767 S * 12/2014 Scharer D6/656.17
 - D776,961 S * 1/2017 Yamamoto D6/656.16
 - 9,591,919 B2 3/2017 Ergun et al.
 - 9,635,932 B2 5/2017 Kelley et al.
 - D794,359 S * 8/2017 Yamamoto D6/656
 - D807,083 S * 1/2018 Yamamoto D6/656.16
 - D819,371 S * 6/2018 Cao D6/656.16
 - D832,003 S * 10/2018 Ezure D6/656.17
 - 2017/0000255 A1 * 1/2017 Herring A47B 9/00
- (Continued)

(**) Term: **15 Years**

(21) Appl. No.: **29/648,297**

(22) Filed: **May 19, 2018**

(51) **LOC (12) Cl.** **06-03**

(52) **U.S. Cl.**
USPC **D6/656.16**

(58) **Field of Classification Search**
USPC D6/641, 642, 648, 648.1, 650, 650.1,
D6/655, 656, 656.1, 656.11, 656.12,
D6/656.13, 656.14, 656.15, 656.16,
D6/656.17, 656.18, 656.19, 675, 686,
D6/688.14, 688.15, 691, 691.5, 691.6,
D6/691.7, 697

CPC A47B 9/00; A47B 9/02; A47B 9/04; A47B
9/12; A47B 2200/0035; A47B 2200/005;
A47B 2200/0056

See application file for complete search history.

(56) **References Cited**

U.S. PATENT DOCUMENTS

- D372,812 S * 8/1996 Graziano D6/656.16
- D478,225 S 8/2003 Wang
- D499,273 S 12/2004 Chang
- D499,576 S 12/2004 Long
- D526,812 S 8/2006 Chen
- D547,970 S 8/2007 Chou
- D549,009 S 8/2007 Lin
- D644,044 S * 8/2011 Kitajima D6/656.17
- D675,041 S * 1/2013 Mecherle D6/691
- D675,042 S * 1/2013 Mecherle D6/691

OTHER PUBLICATIONS

Eureka E1, posted at Amazon.com, posted on Jun. 30, 2018, site visited May 20, 2019. online, available from internet: <https://www.amazon.com/Eureka-Racer-Gaming-Desk-Adjustable/dp/B07DC28TWB> (Year: 2018).*

Primary Examiner — Mary Ann Calabrese
Assistant Examiner — Catherine Ho

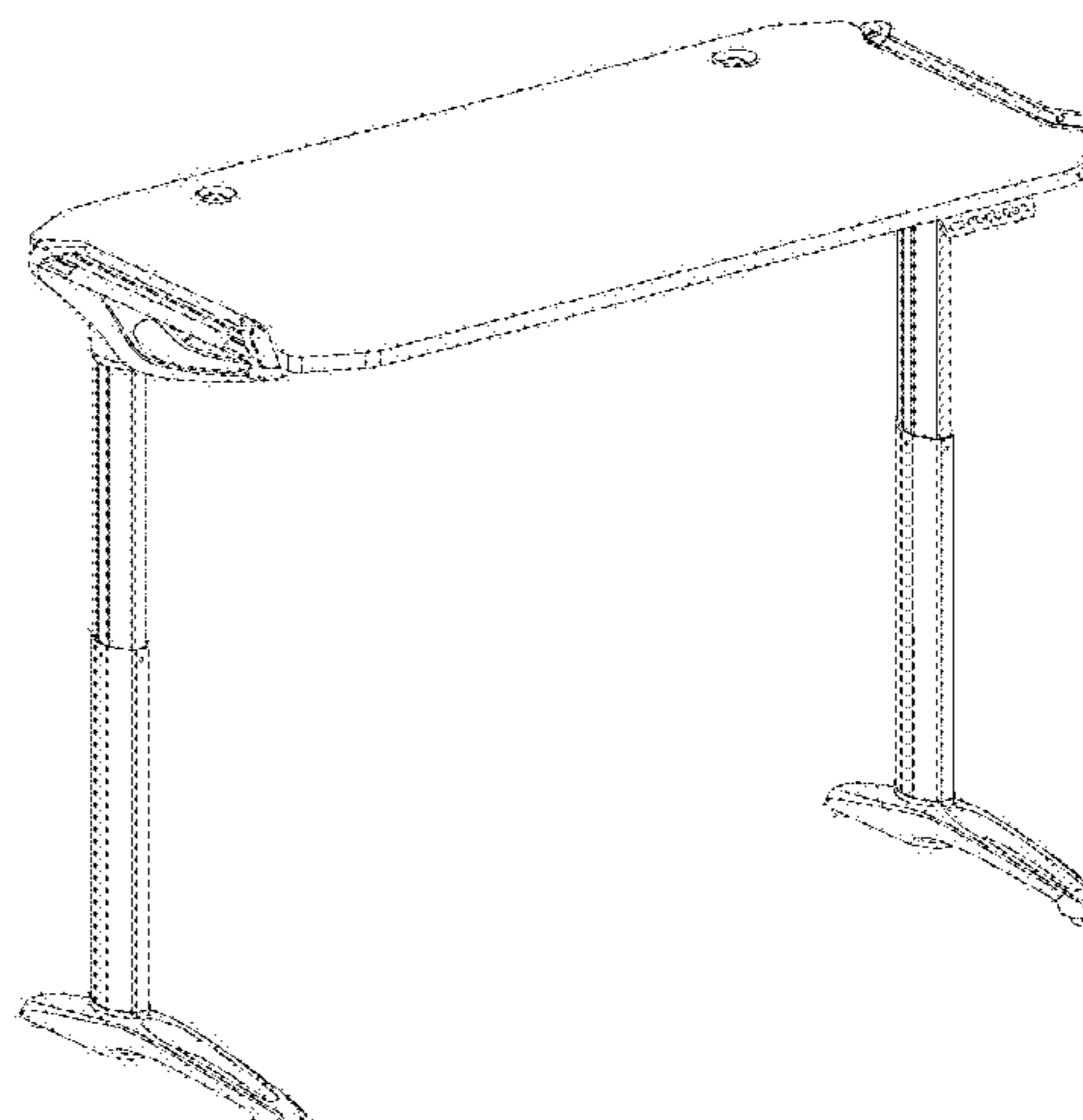
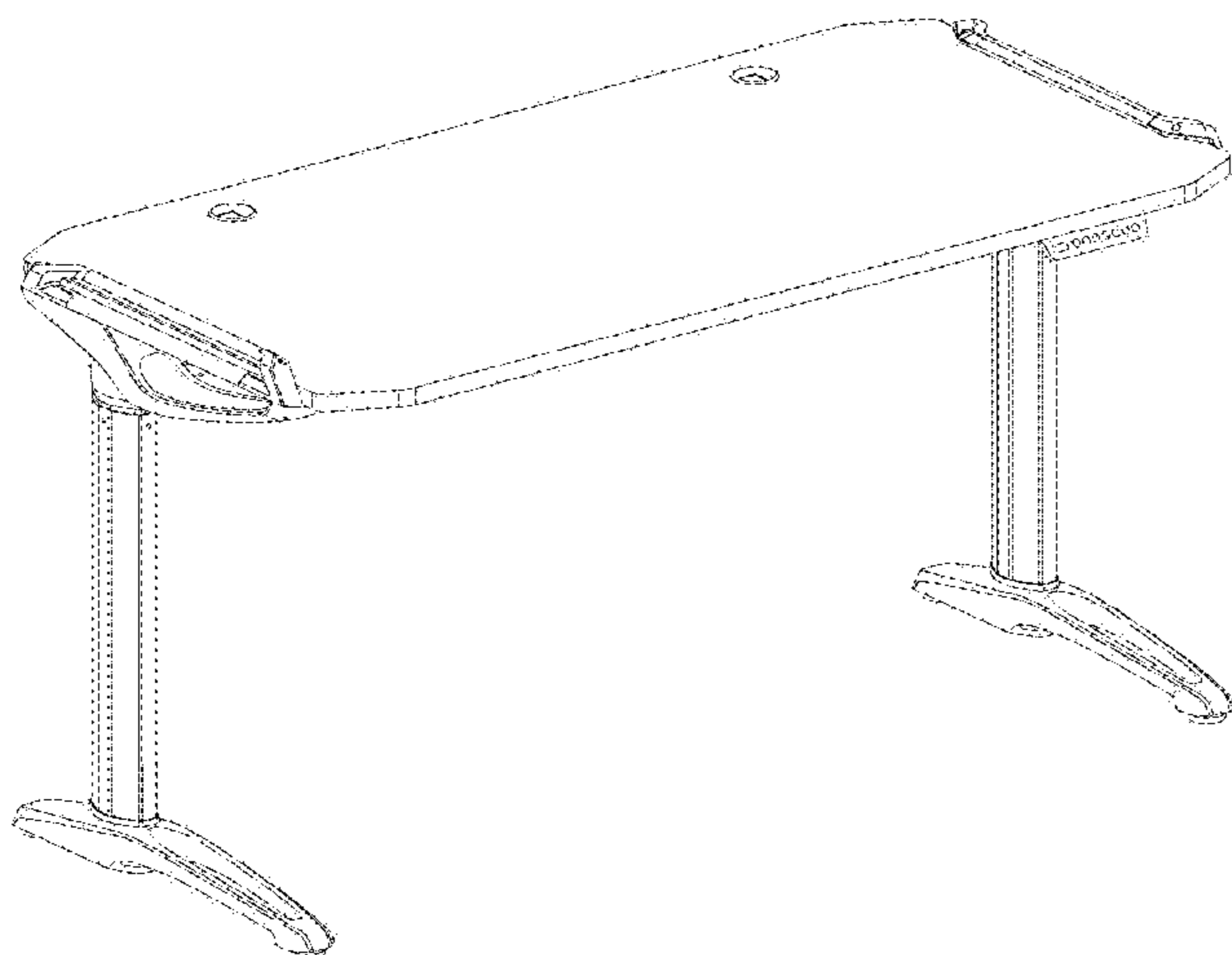
(57) **CLAIM**

I claim the ornamental design for a height adjustable gaming desk, as shown and described.

DESCRIPTION

FIG. 1 is a perspective view of a height adjustable gaming desk in a collapsed position, showing my new design;
FIG. 2 is a front view thereof;
FIG. 3 is a bottom view thereof;
FIG. 4 is a top view thereof;
FIG. 5 is a rear side view thereof;
FIG. 6 is a left side view thereof;
FIG. 7 is a right side view thereof;
FIG. 8 is a perspective view of a height adjustable gaming desk in an extended position;
FIG. 9 is a front view thereof;
FIG. 10 is a rear side view thereof;
FIG. 11 is a left side view thereof; and,
FIG. 12 is a right side view thereof.

1 Claim, 12 Drawing Sheets



(56)

References Cited

U.S. PATENT DOCUMENTS

2018/0338608 A1* 11/2018 Keller H02G 3/0456
2019/0082823 A1* 3/2019 Applegate A47B 3/08

* cited by examiner

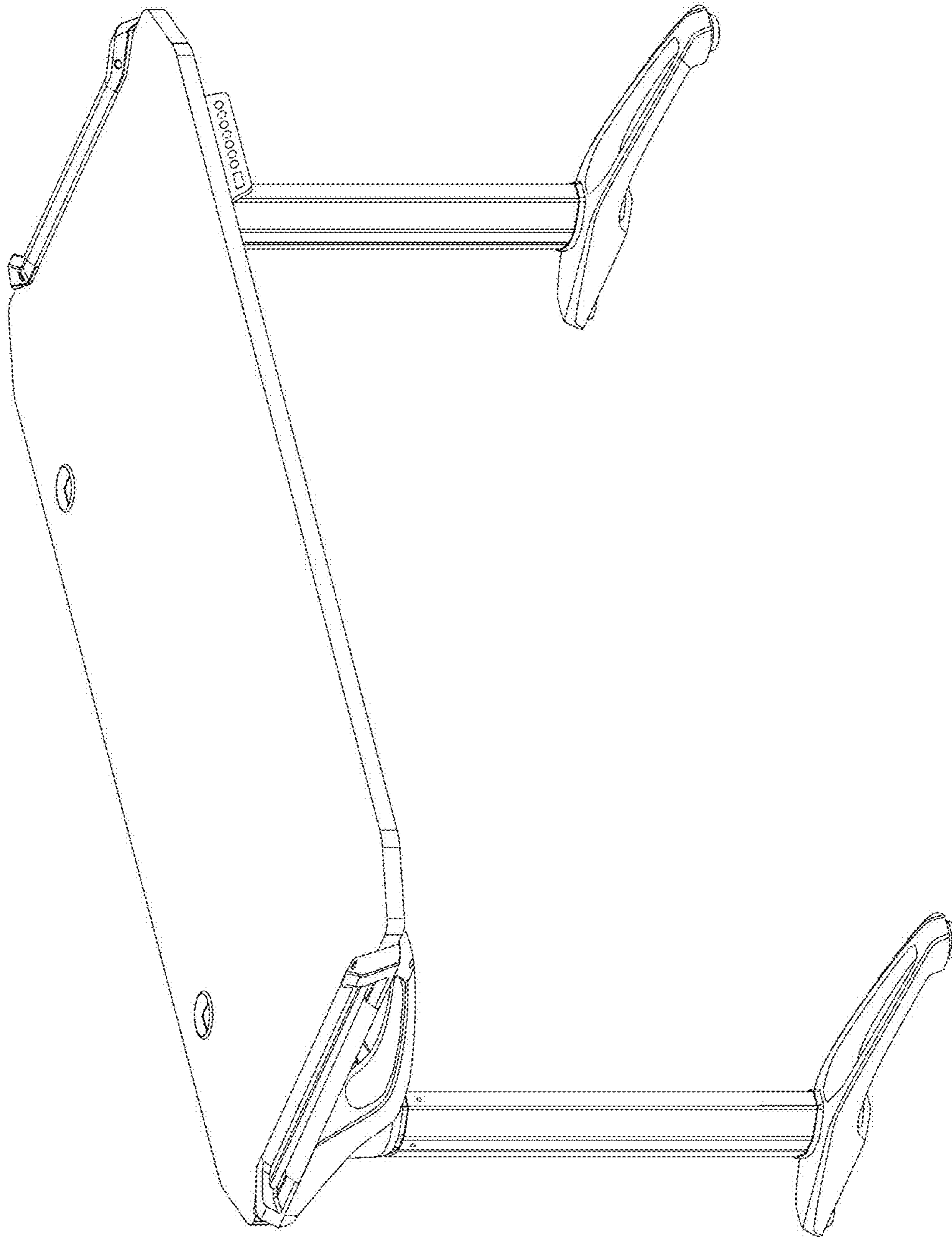


FIG.1

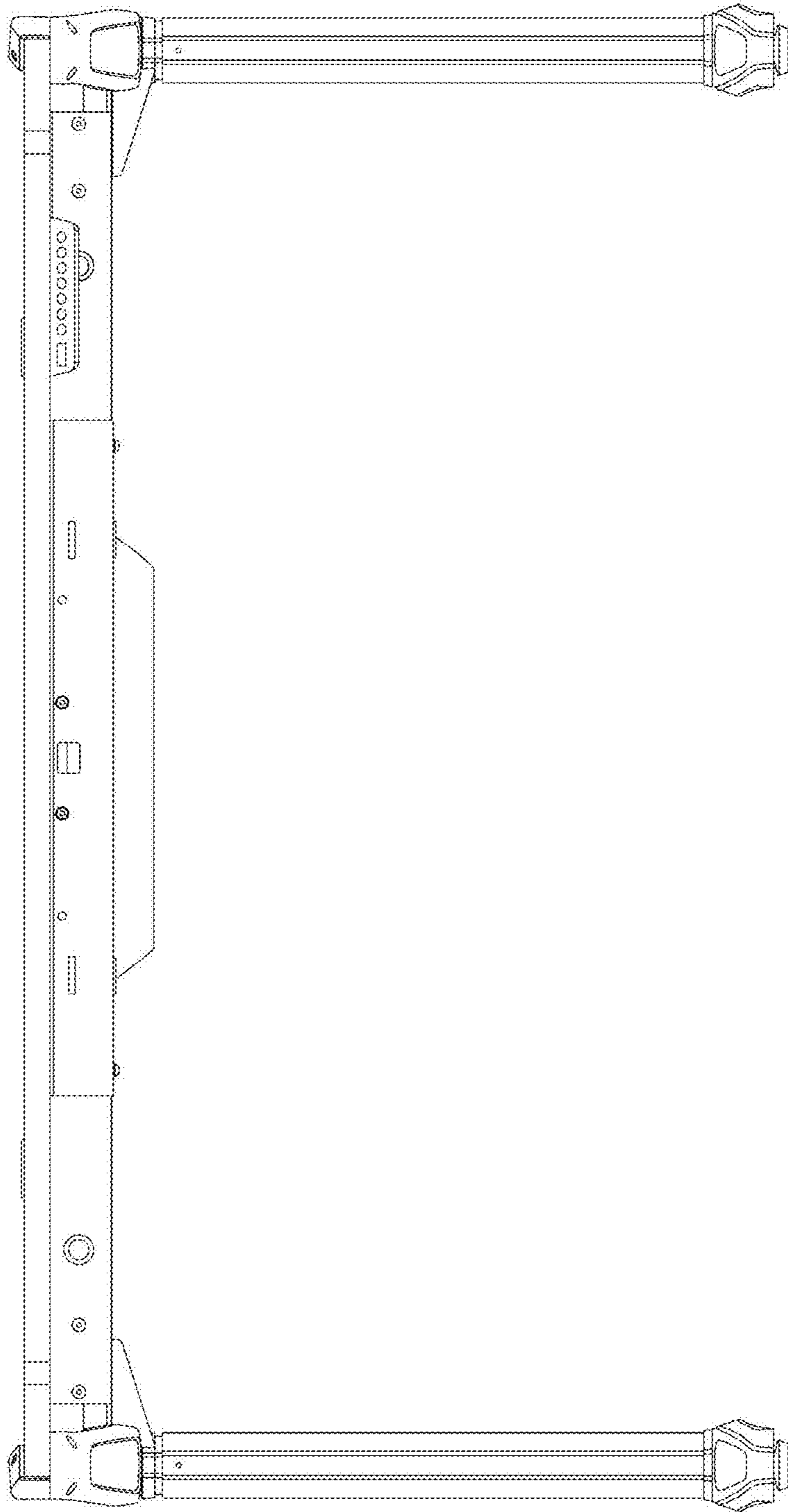


FIG. 2

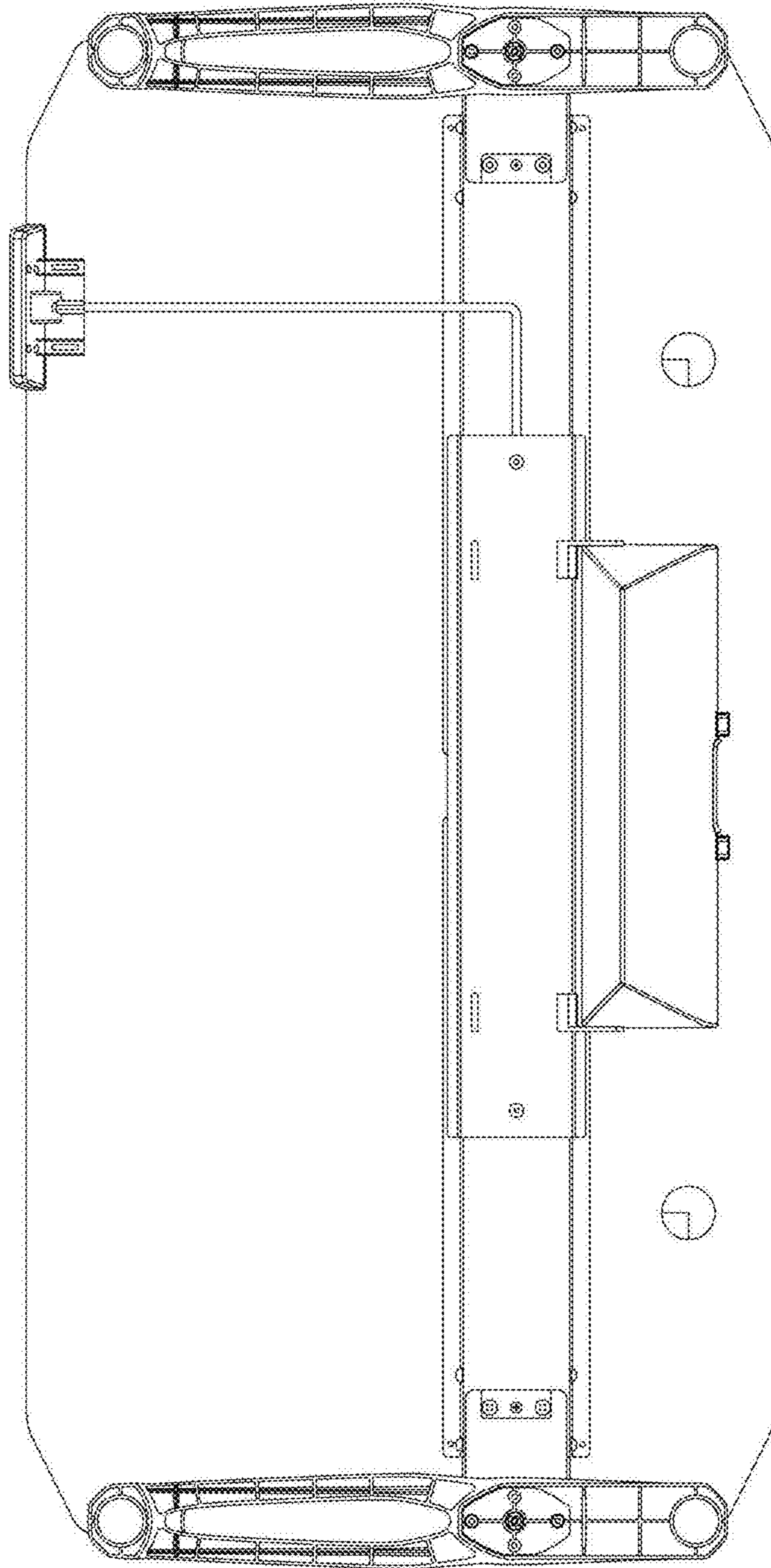


FIG. 3

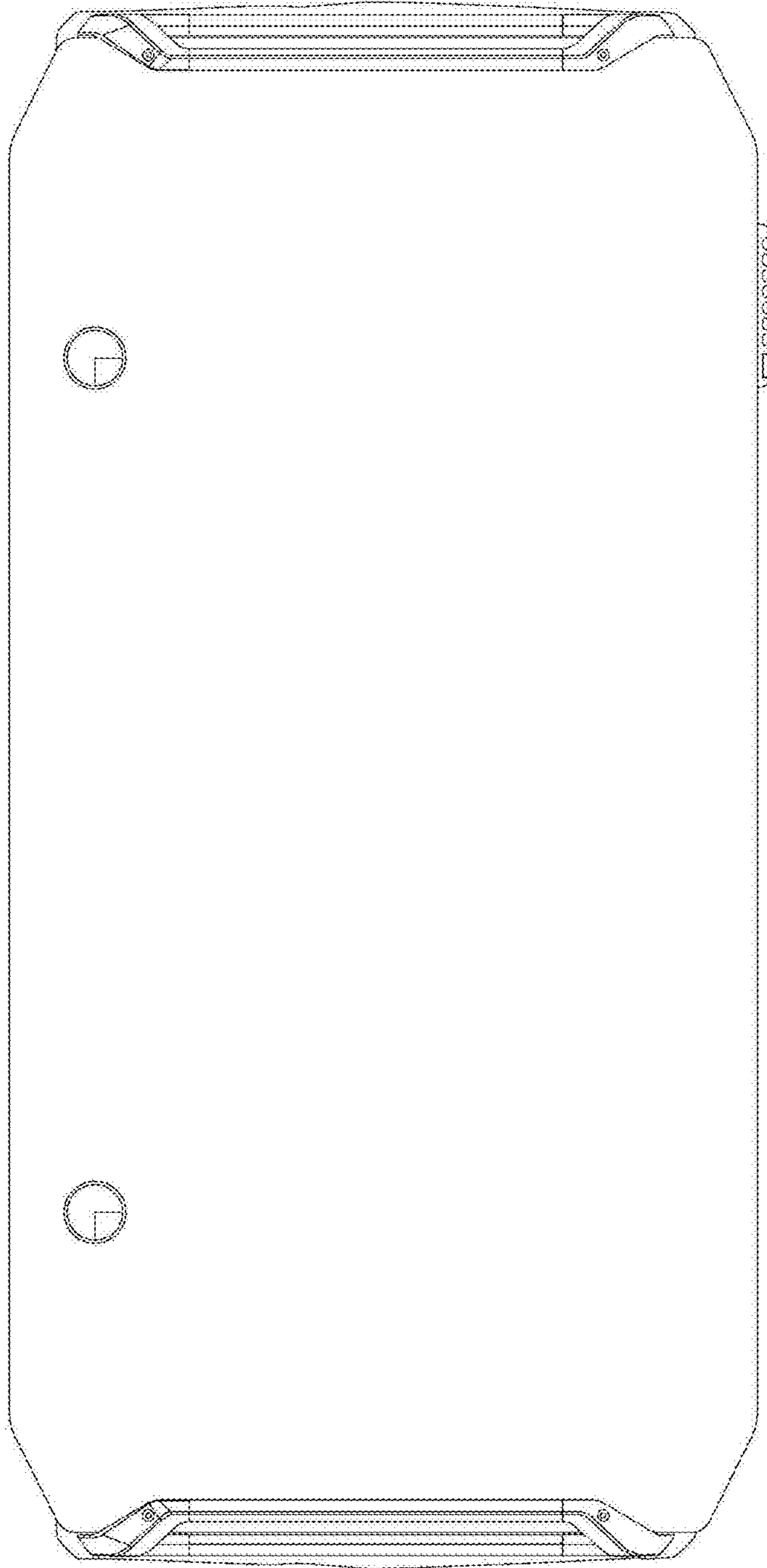


FIG. 4

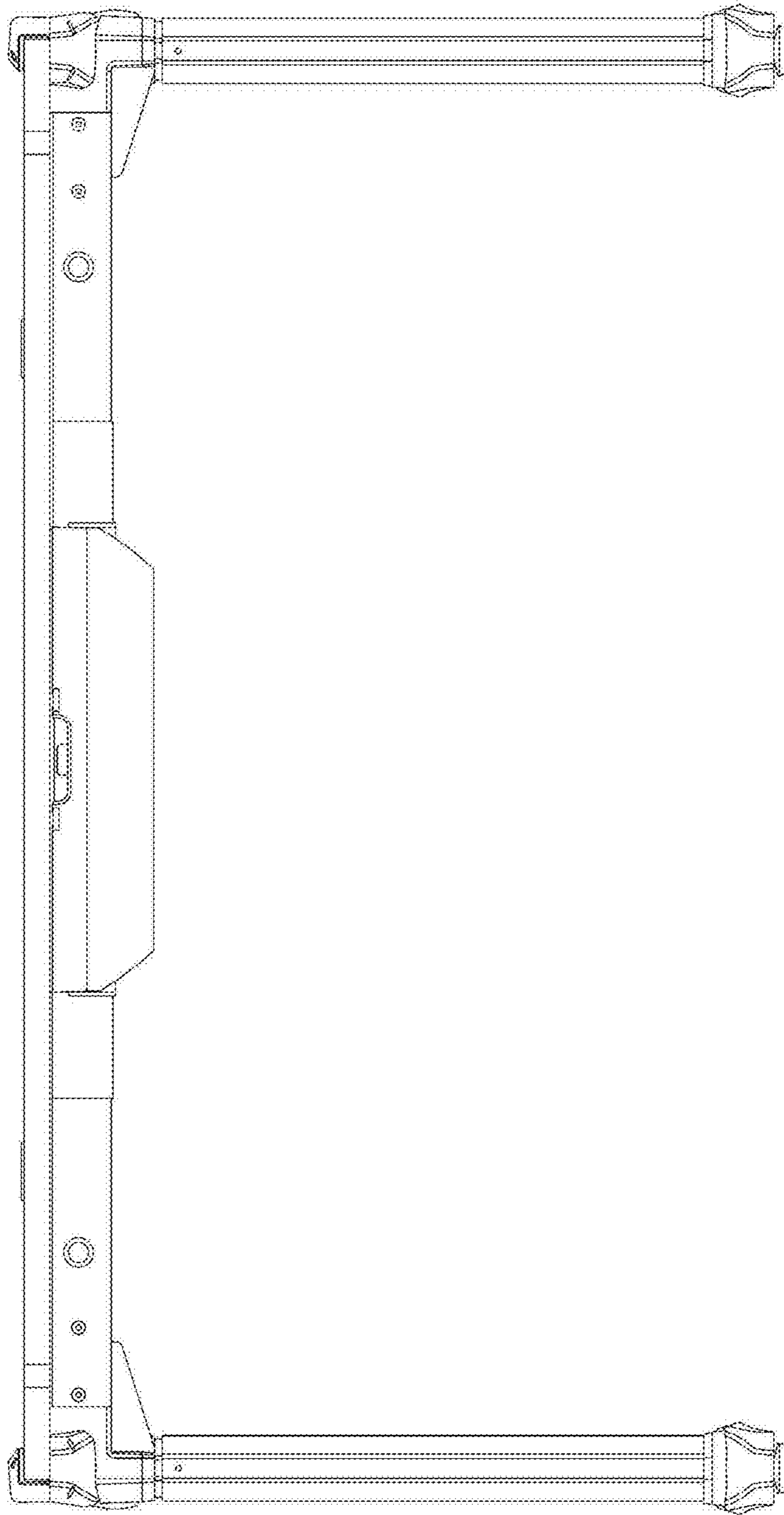


FIG. 5

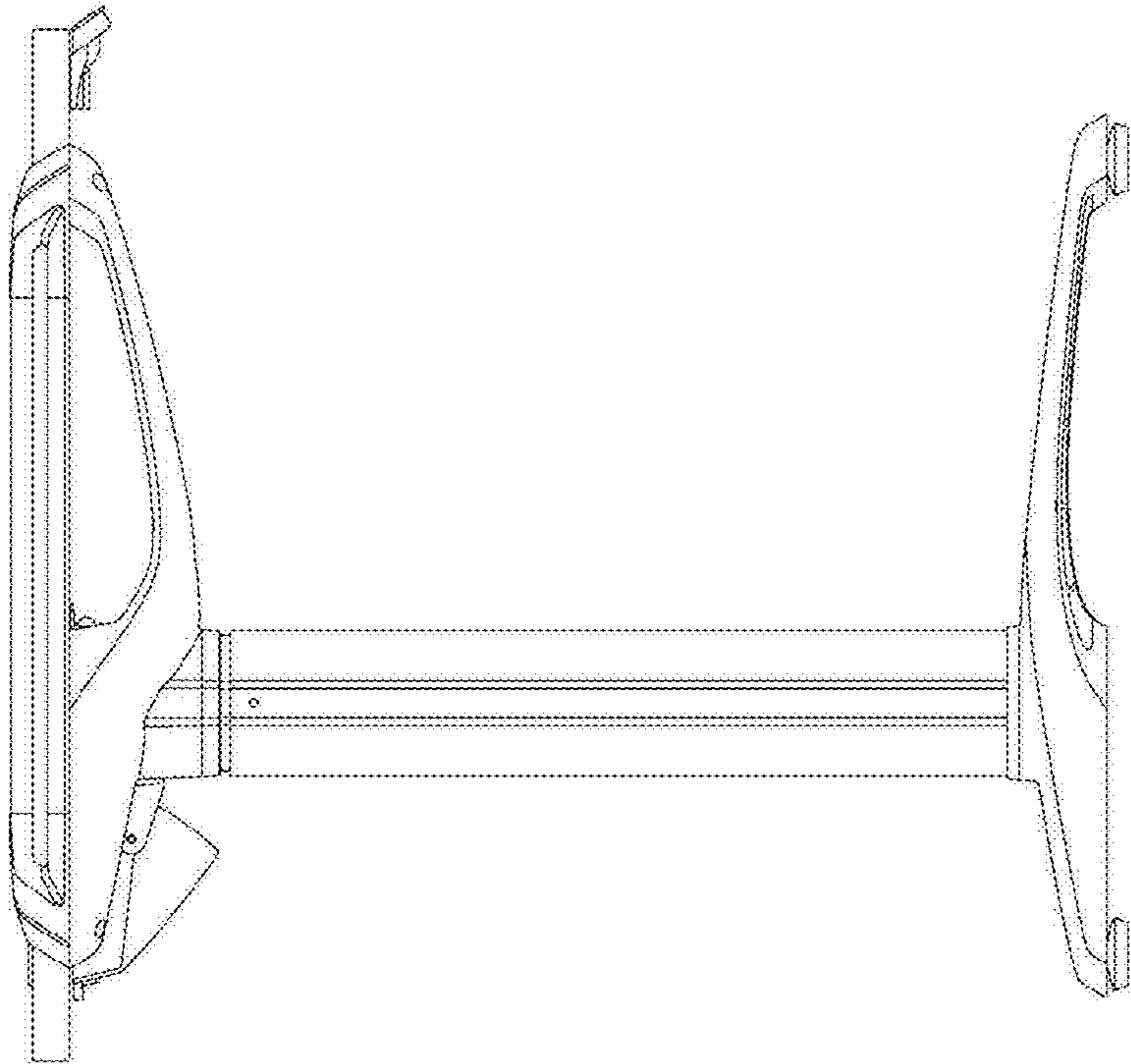


FIG. 6

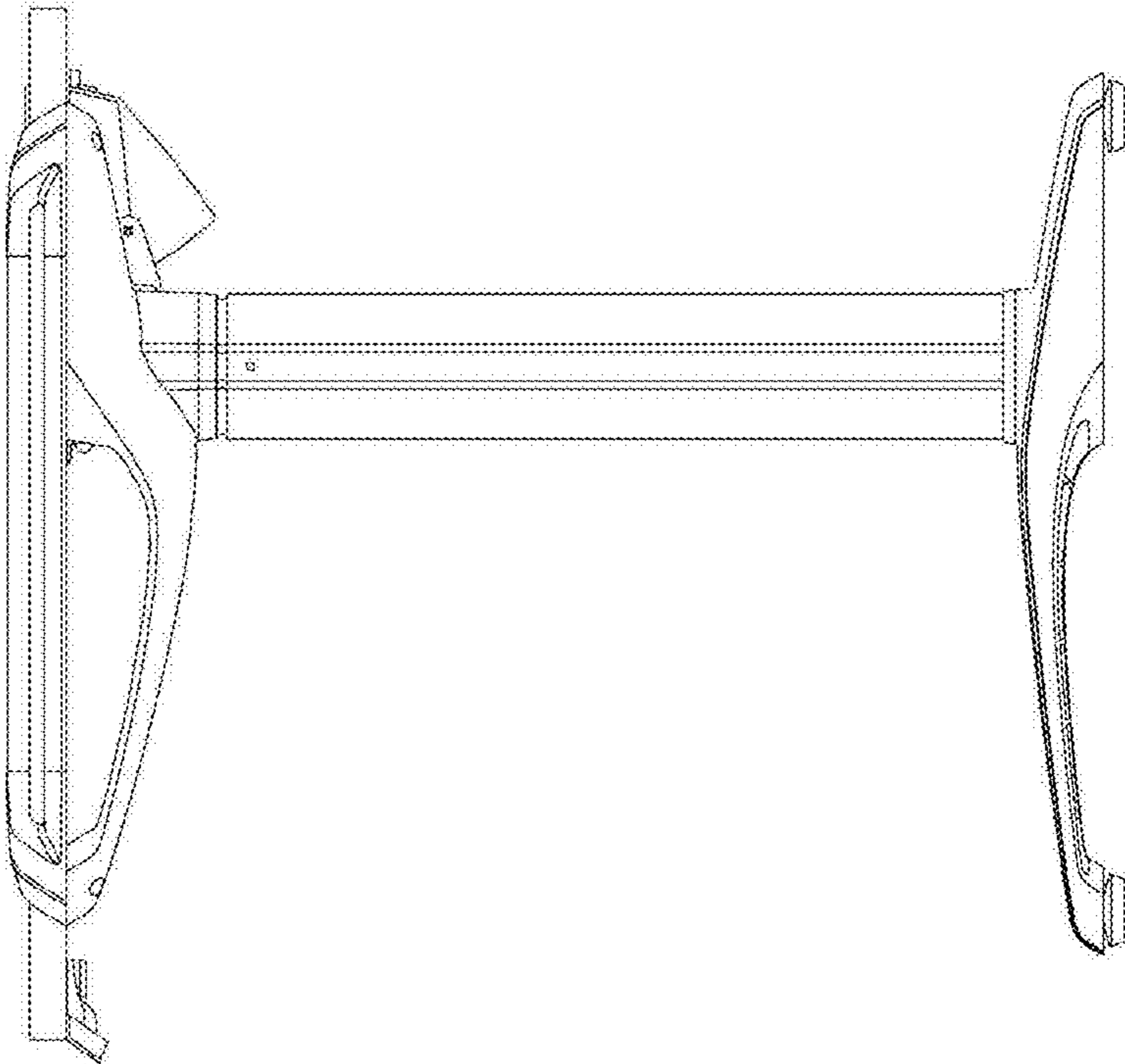


FIG. 7

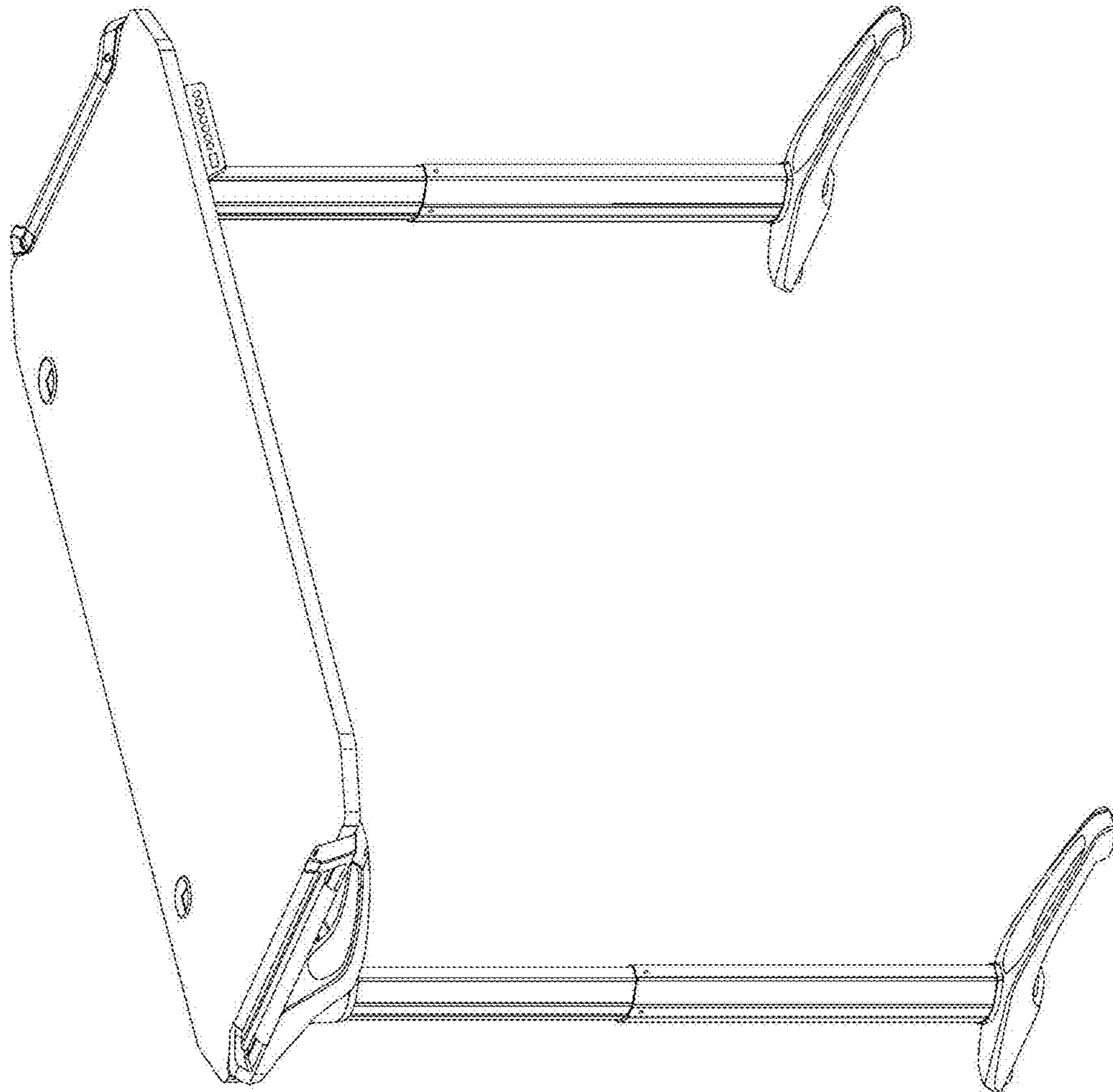


FIG. 8

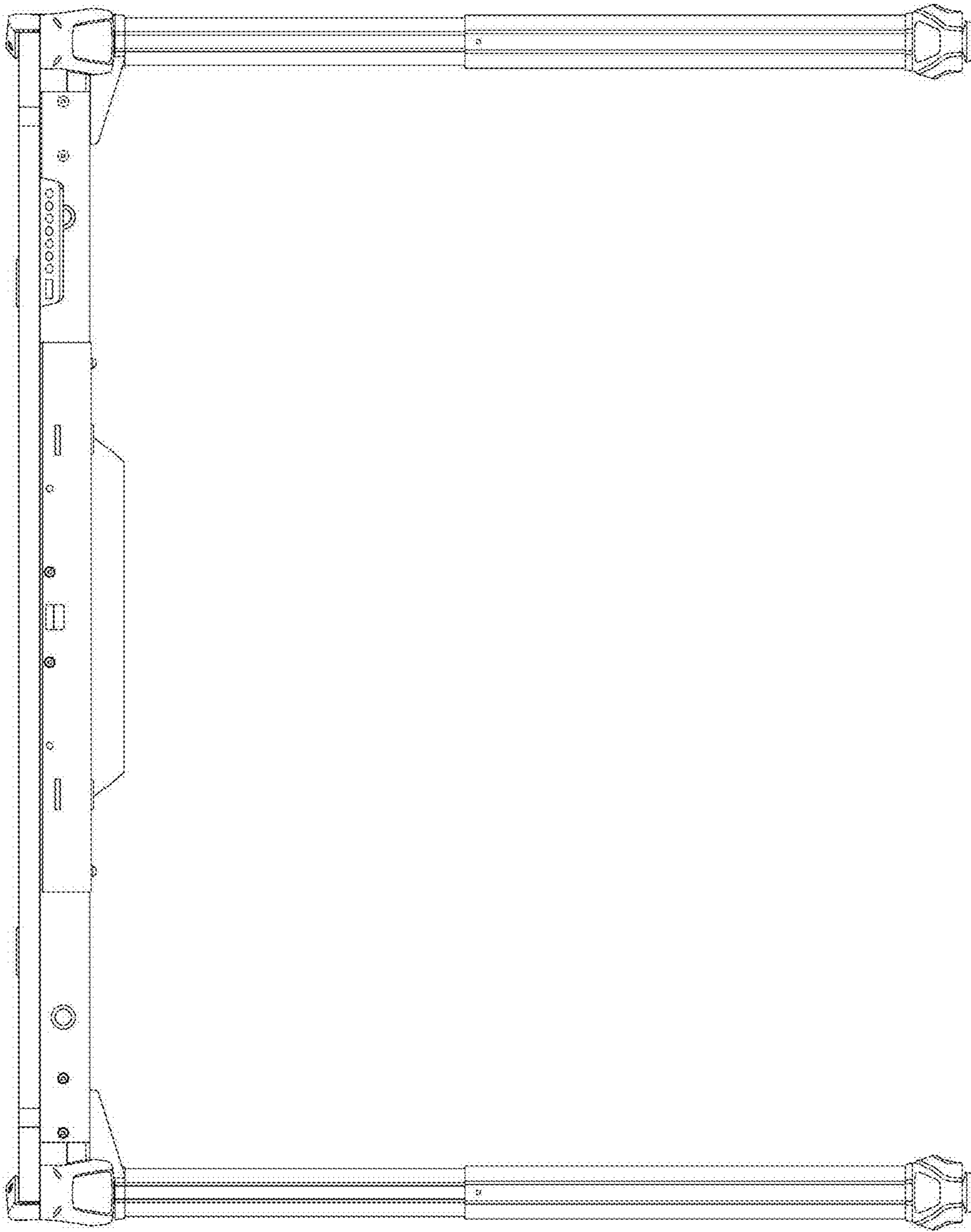


FIG. 9

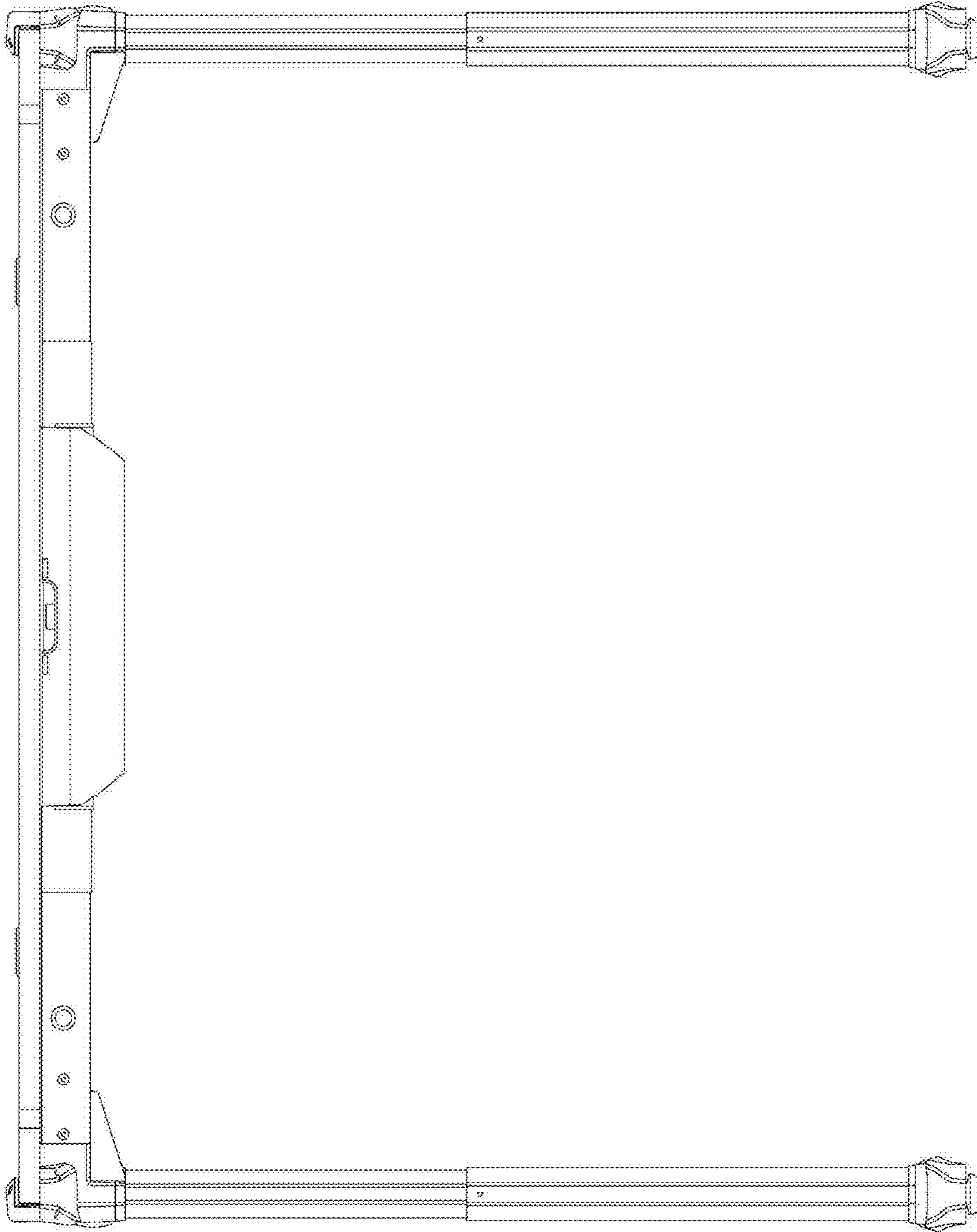


FIG. 10

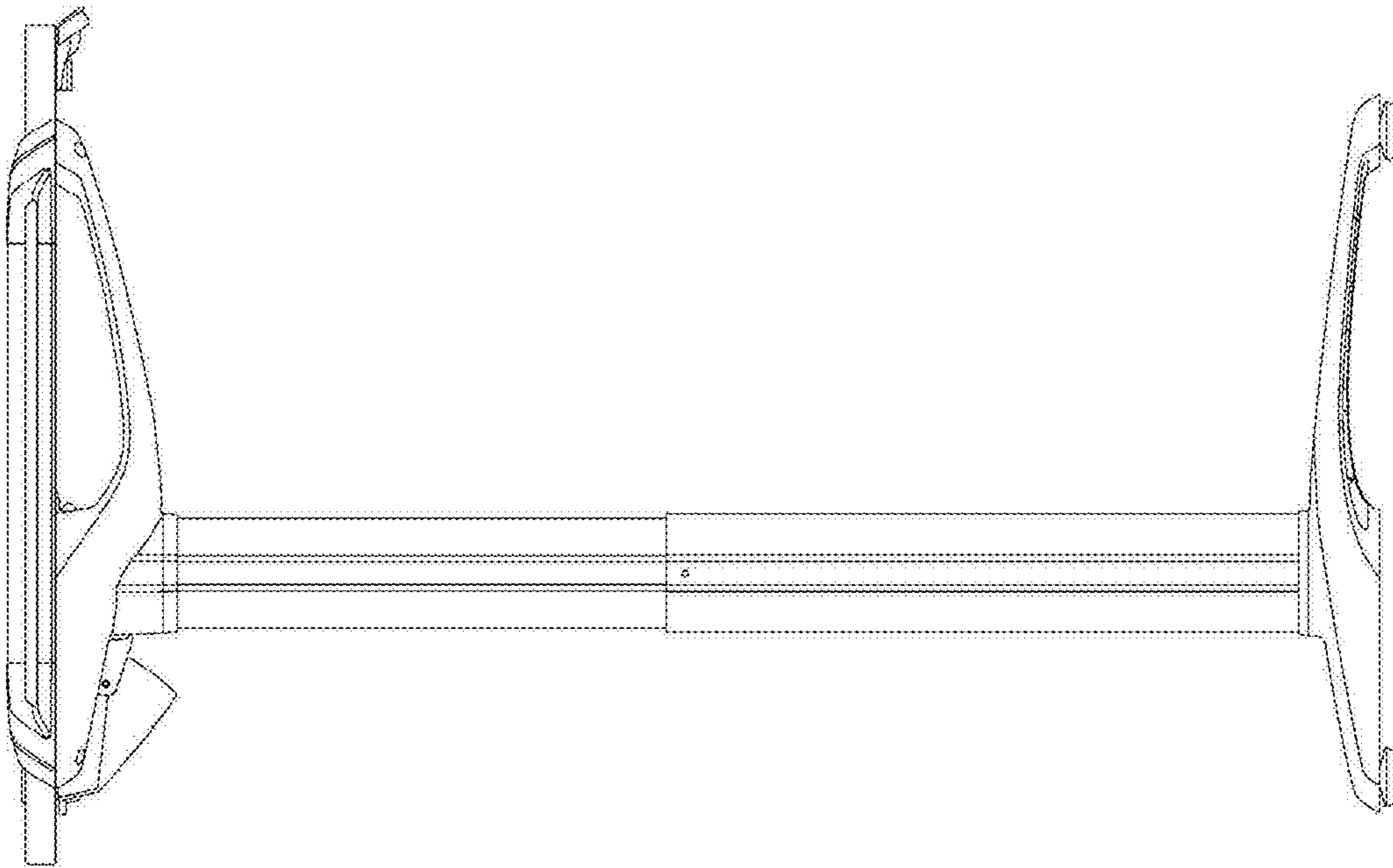


FIG. 11

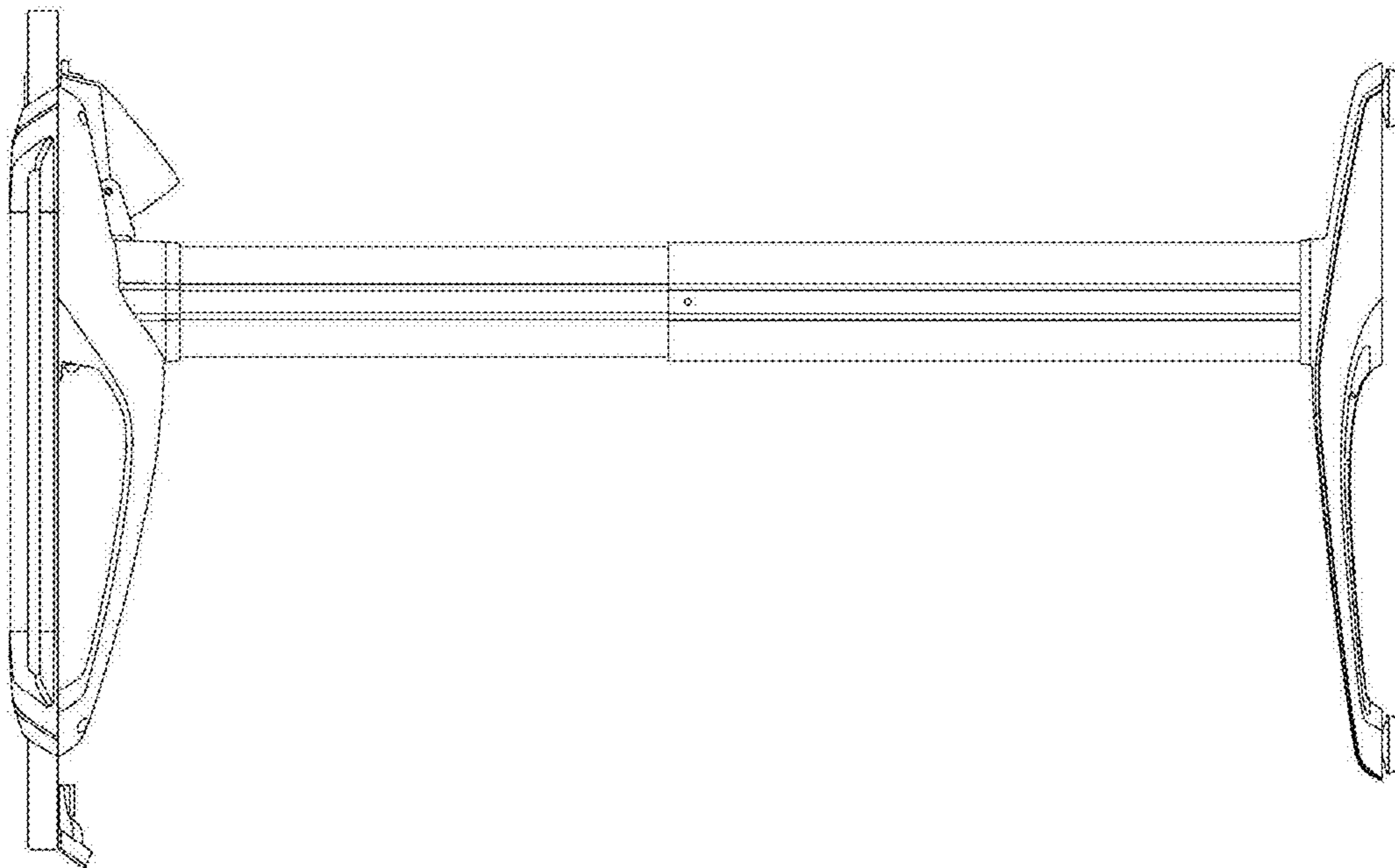


FIG. 12