



US00D865404S

(12) **United States Design Patent** (10) **Patent No.:** **US D865,404 S**
Hu (45) **Date of Patent:** **** *Nov. 5, 2019**

(54) **HEIGHT ADJUSTABLE DESK WITH SINGLE COLUMN**

(71) Applicant: **Yajun Hu**, El Dorado Hills, CA (US)

(72) Inventor: **Yajun Hu**, El Dorado Hills, CA (US)

(73) Assignees: **Yajun Hu**, El Dorado Hills, CA (US);
EUREKA LLC., El Dorado Hills, CA (US)

(*) Notice: This patent is subject to a terminal disclaimer.

(**) Term: **15 Years**

(21) Appl. No.: **29/631,017**

(22) Filed: **Dec. 26, 2017**

(51) **LOC (12) Cl.** **06-03**

(52) **U.S. Cl.**
USPC **D6/655.13; D6/655.2**

(58) **Field of Classification Search**
USPC D6/353, 368, 642, 655-655.23, 656, D6/656.1, 656.11, 656.12, 656.13, 656.14, D6/656.15, 656.16, 656.17, 656.18, D6/656.19, 663, 686, 687, 691, 691.1, D6/691.9, 708.17; D13/19
CPC A47B 1/00; A47B 7/00; A47B 9/00; A47B 9/10; A47B 9/16; A47B 2009/006; A47B 11/00; A47B 13/00; A47B 13/081; A47B 21/0073; A47B 21/02; A47B 21/03; A47B 2200/005; A47B 2200/0064
See application file for complete search history.

(56) **References Cited**

U.S. PATENT DOCUMENTS

D288,750 S * 3/1987 Friedman D6/654.21
5,323,695 A * 6/1994 Borgman A47B 9/00
108/147

D468,137 S * 1/2003 Ulmer D6/708.17
D478,225 S 8/2003 Wang
D499,273 S 12/2004 Chang
D499,576 S 12/2004 Long
D526,812 S 8/2006 Chen
D547,970 S 8/2007 Chou
D549,009 S 8/2007 Lin
D559,592 S * 1/2008 Glass D6/656.16
D759,994 S * 6/2016 Lin D6/656.13
D776,961 S * 1/2017 Yamamoto D6/656.16
D781,619 S * 3/2017 Flaherty D6/655
9,591,919 B2 3/2017 Ergun et al.
D784,050 S * 4/2017 Flaherty D6/655
9,635,932 B2 5/2017 Kelley et al.
D814,214 S * 4/2018 Flaherty D6/648
D815,463 S * 4/2018 Kobayashi D6/655.2

OTHER PUBLICATIONS

Conset, posted at Conset.us, posted on Jul. 22, 2008, site visited Sep. 12, 2018. online, available from internet: <http://www.conset.us/Files/Images/501-7-trapez1.jpg>.*

(Continued)

Primary Examiner — Mary Ann Calabrese

Assistant Examiner — Catherine Ho

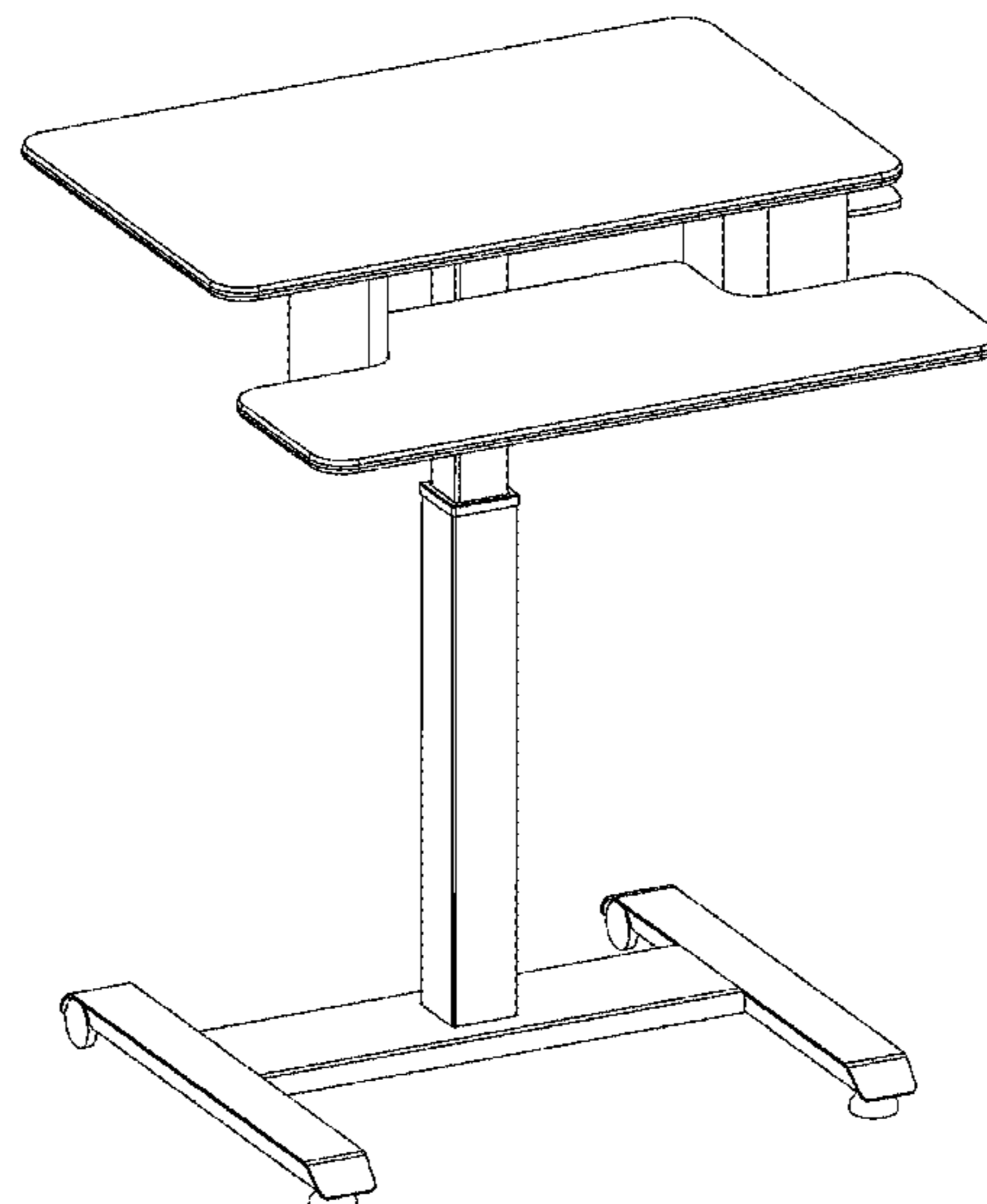
(57) **CLAIM**

The ornamental design for a height adjustable desk with single column, as shown and described.

DESCRIPTION

FIG. 1 is a perspective view of height adjustable desk with single column, showing my new design;
FIG. 2 is a front view thereof;
FIG. 3 is a bottom view thereof;
FIG. 4 is a top view thereof;
FIG. 5 is a rear side view thereof;
FIG. 6 is a left side view thereof; and,
FIG. 7 is a right side view thereof.

1 Claim, 7 Drawing Sheets



(56)

References Cited

OTHER PUBLICATIONS

Seville, posted at Amazon.com, posted on Sep. 13, 2017, site visited Sep. 12, 2018. online, available from internet: <https://www.amazon.com/Seville-Classics-Mobile-Computer-Height-Adjustable/dp/B0728LG6NF>.*

Specialshare, posted at Comparestoreprices.co.uk, posted on Oct. 17, 2015, site visited Sep. 12, 2018. online, available from internet: <http://www.comparestoreprices.co.uk/images/sp/specialshare-modern-home-office-computer-desk--pc-laptop-table-glass-desk-top-furnit.jpg>.*

FlexiSpot, posted at Amazon.com, posted on Jan. 14, 2017, site visited Sep. 12, 2018. online, available from internet: <https://www.amazon.com/FlexiSpot-Standing-Desk-Removable-M4B-Corner-Black/dp/B01N0RHZAW/>.*

* cited by examiner

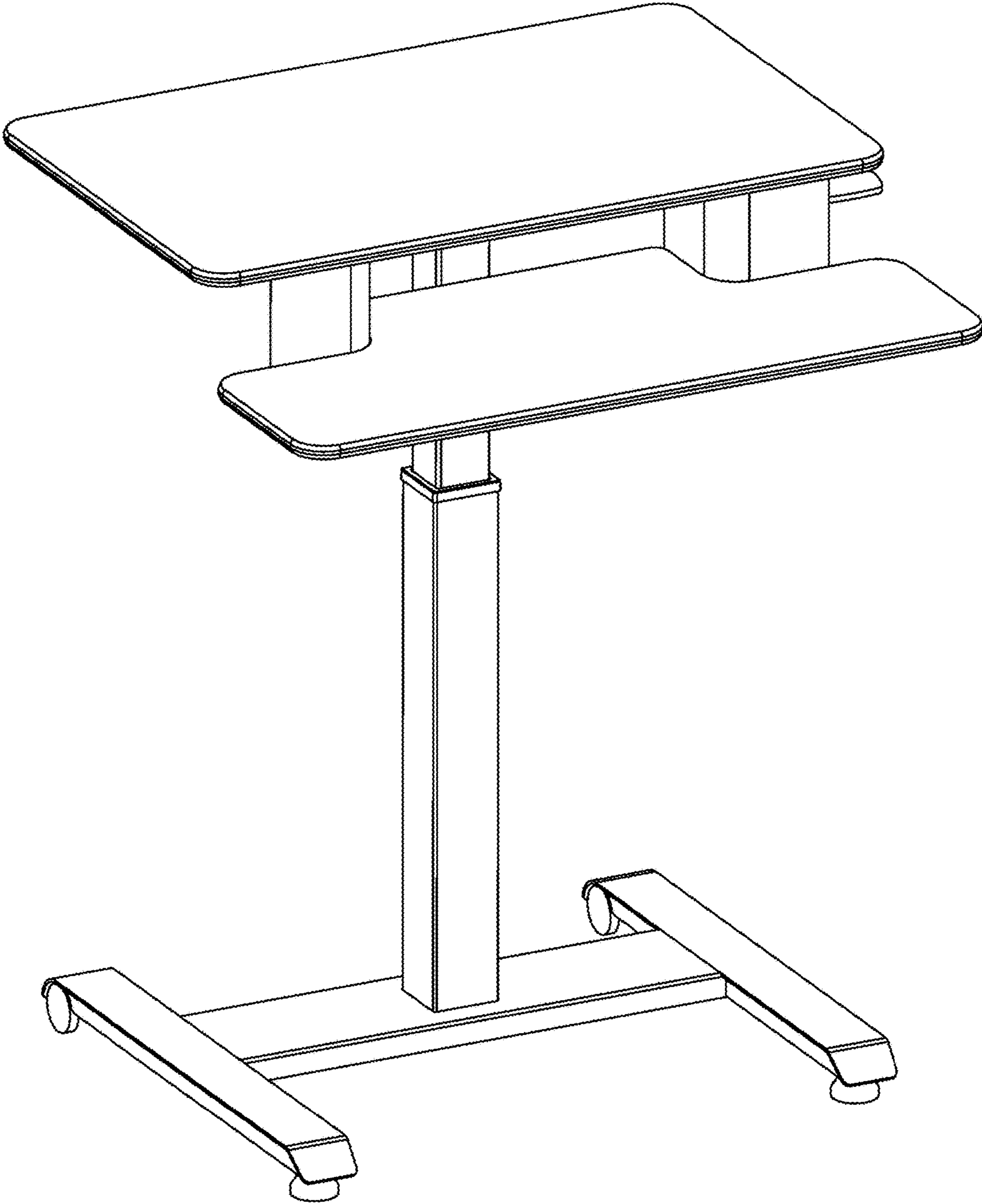


FIG.1

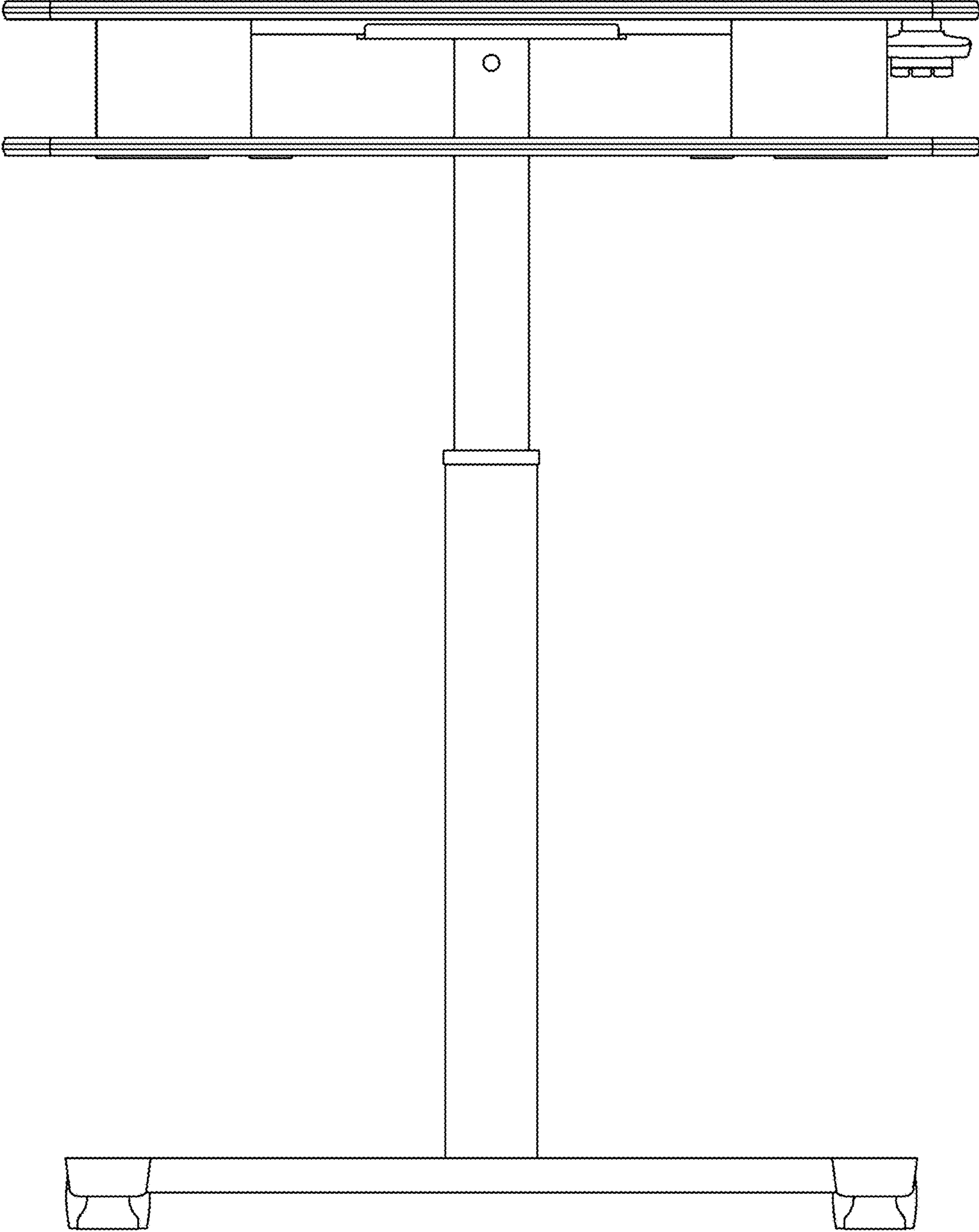


FIG.2

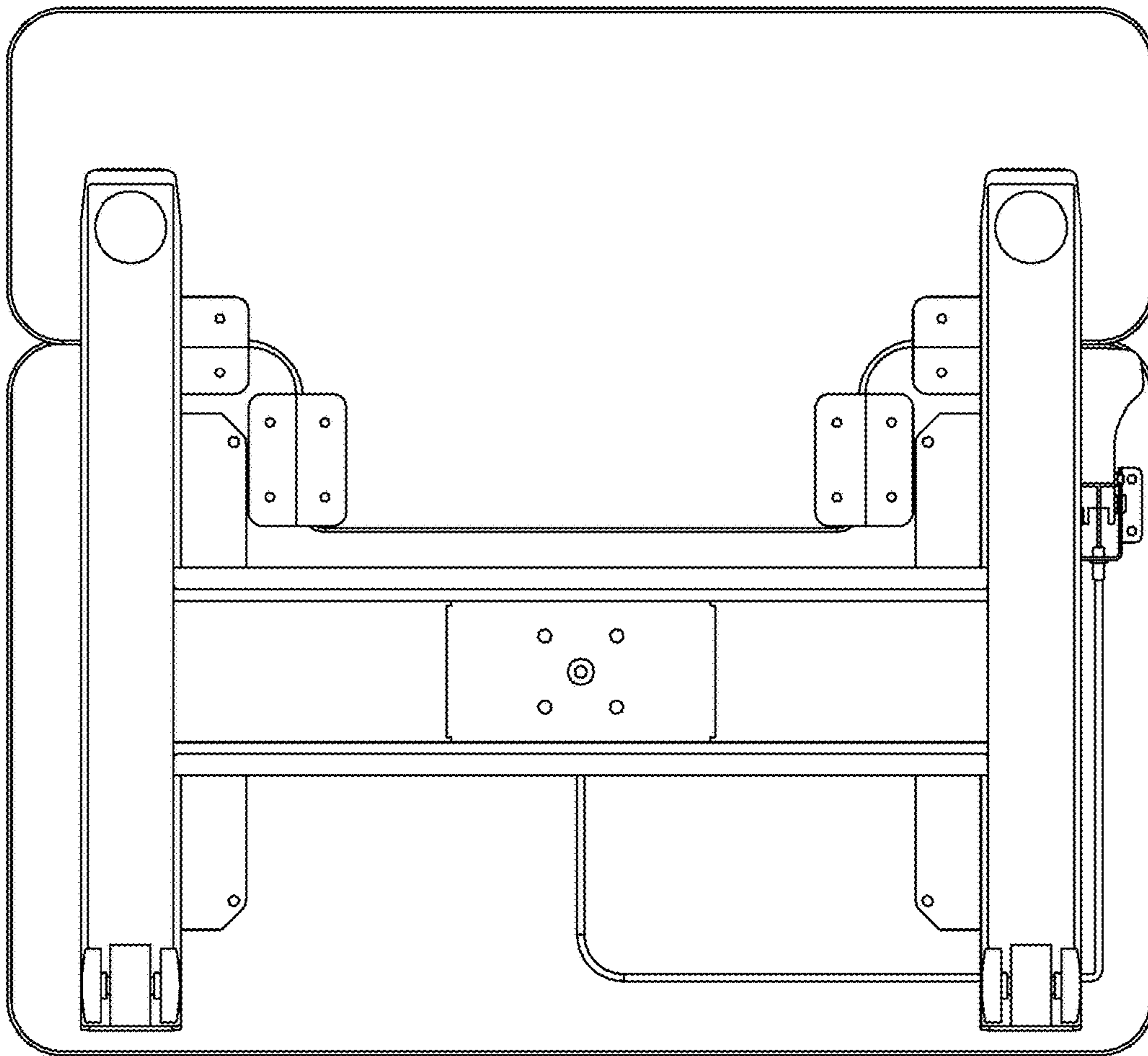


FIG.3

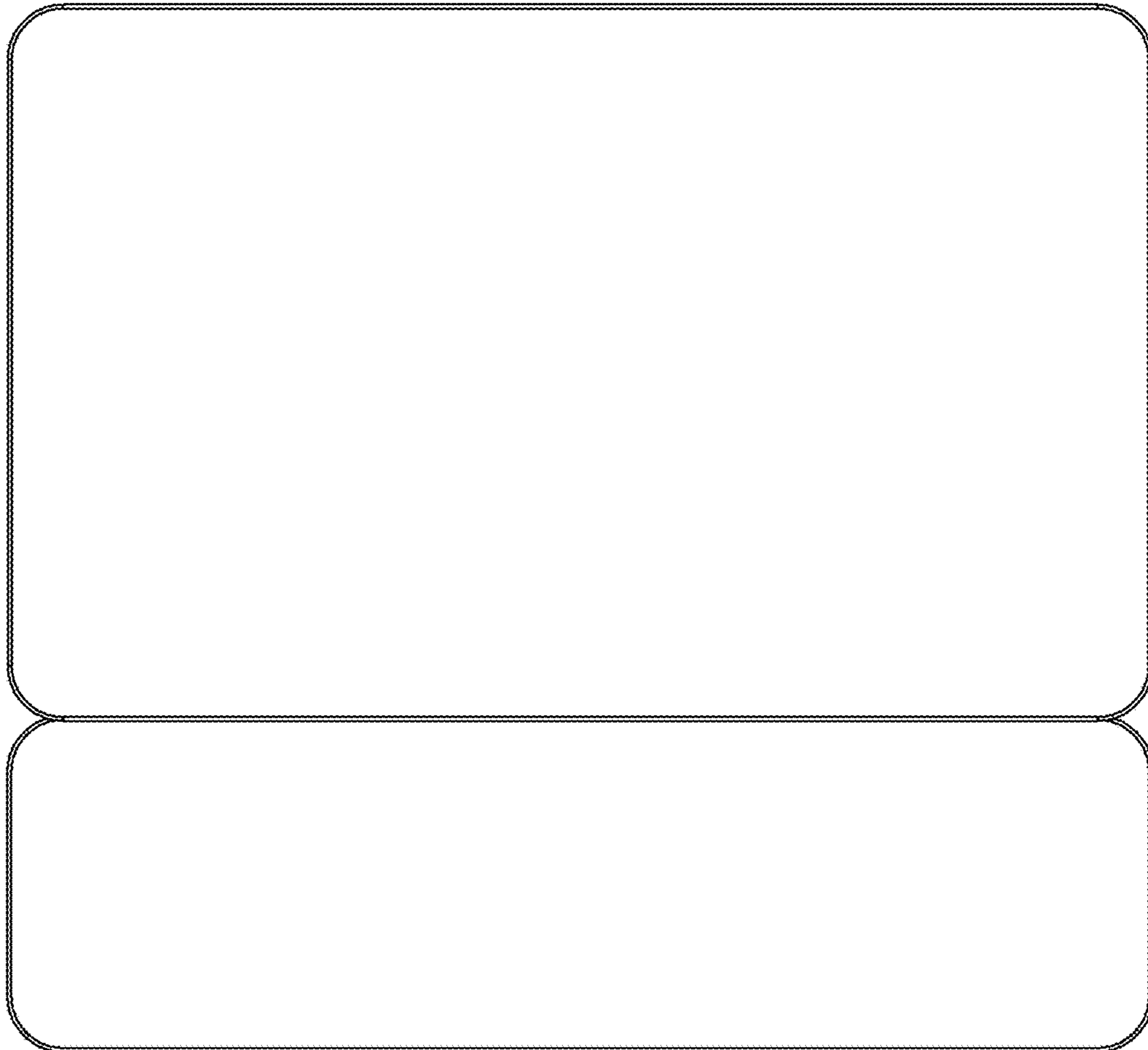


FIG.4

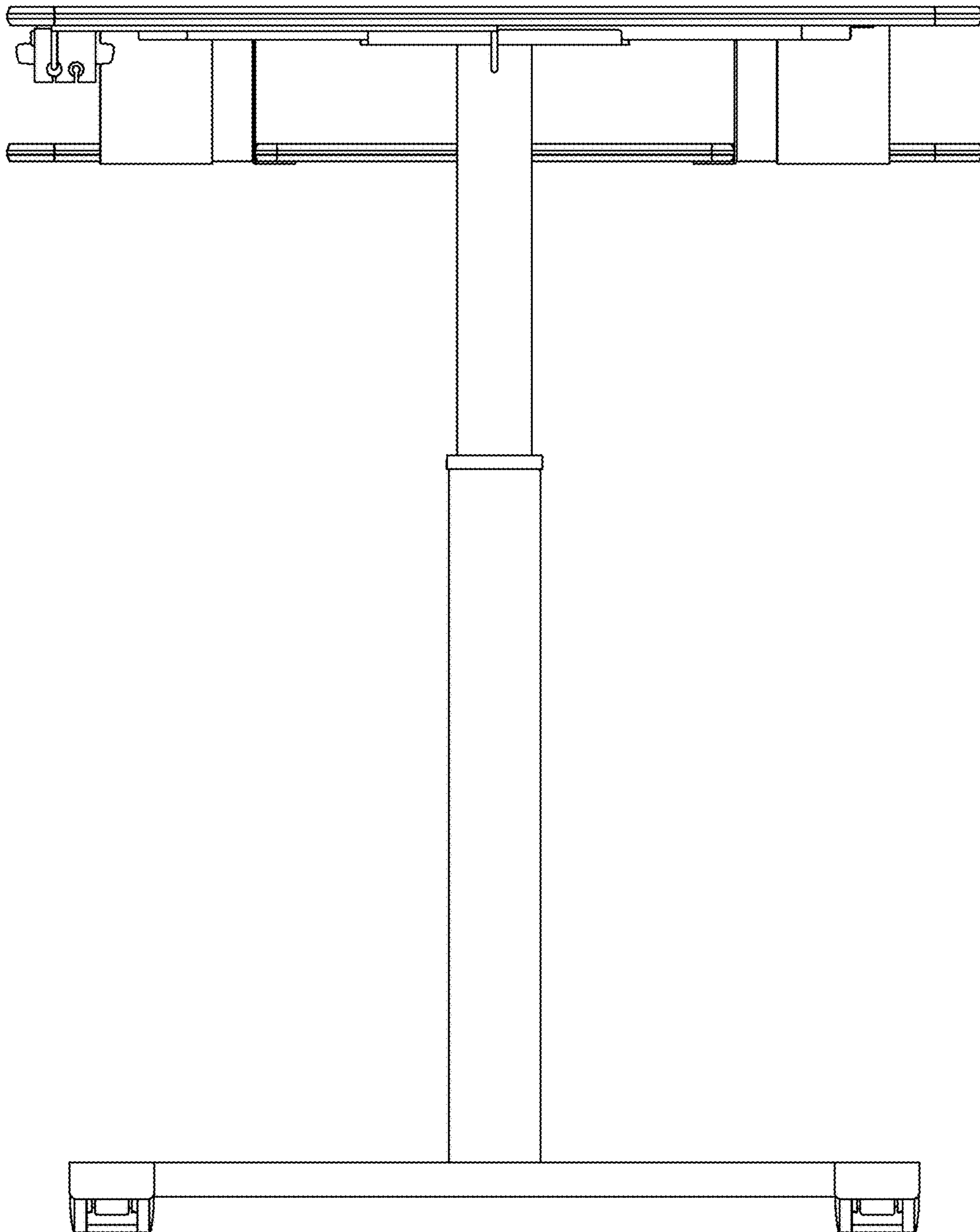


FIG.5

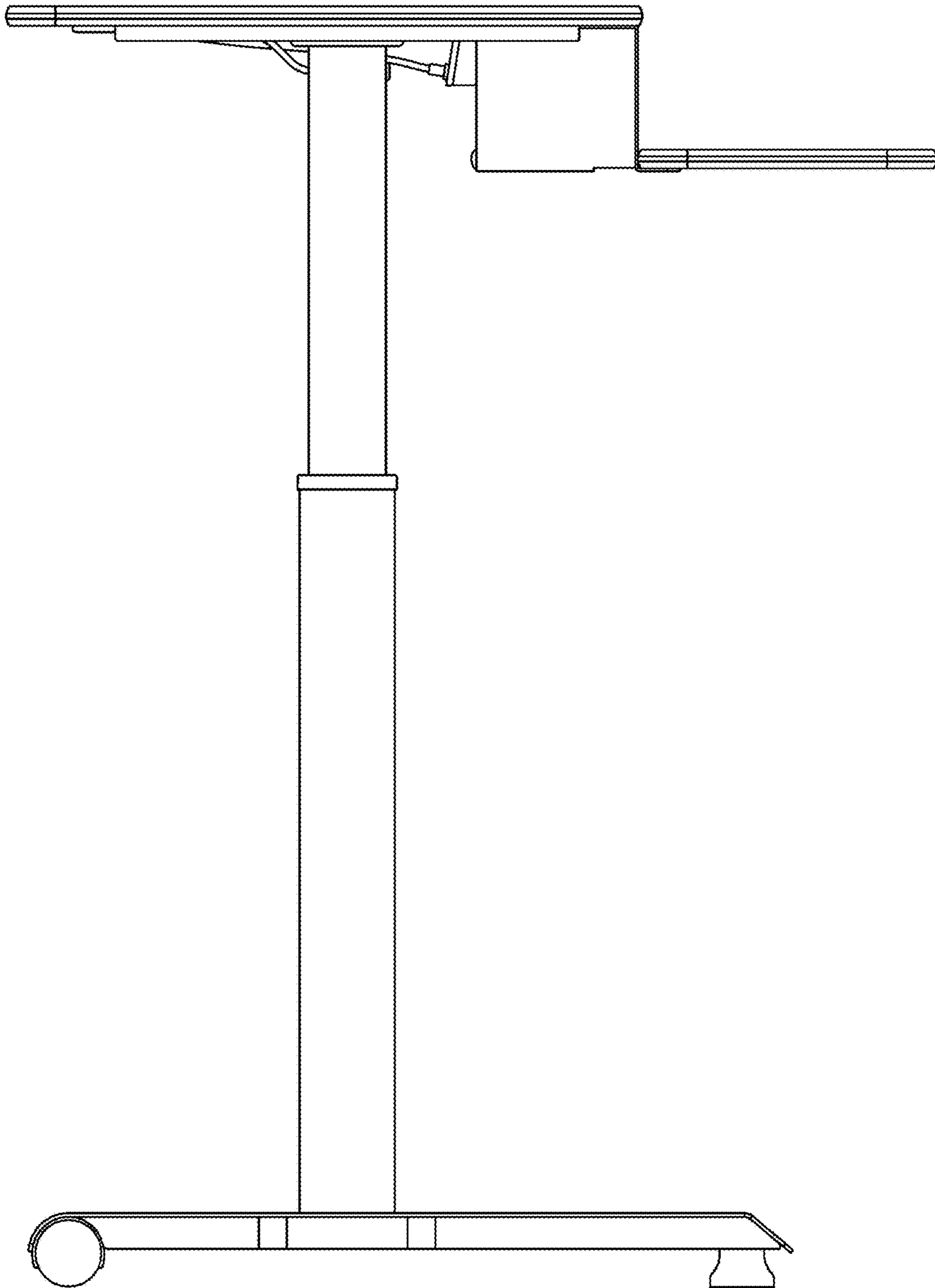


FIG.6

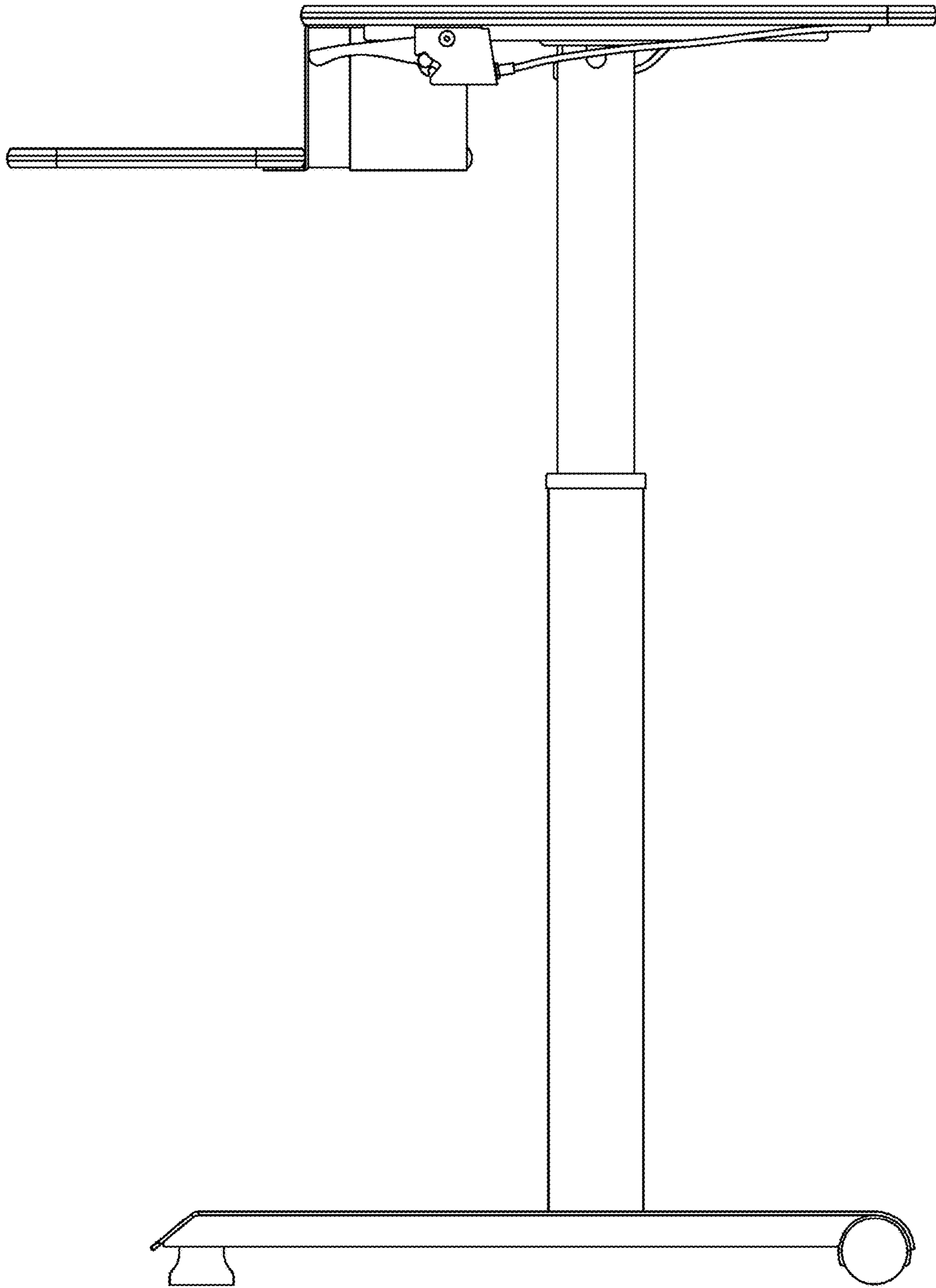


FIG.7