

US00D865395S

(12) **United States Design Patent** (10) **Patent No.:** **US D865,395 S**
Allen et al. (45) **Date of Patent:** **** Nov. 5, 2019**

(54) **BALCONY TABLE**
(71) Applicants: **Scott Allen**, Panama City, FL (US);
Janet Allen, Panama City, FL (US)
(72) Inventors: **Scott Allen**, Panama City, FL (US);
Janet Allen, Panama City, FL (US)
(**) Term: **15 Years**
(21) Appl. No.: **29/642,378**

D318,390 S * 7/1991 Murray D6/513
D355,990 S * 3/1995 Vincelli D6/555
5,493,947 A * 2/1996 Philbeck F16M 13/00
116/171
D430,766 S * 9/2000 Sorensen D6/574
D489,927 S * 5/2004 Hoernig D6/574
D583,176 S * 12/2008 Bochner D6/555
D719,376 S * 12/2014 Nelson D6/555
D725,406 S * 3/2015 Olszewski D6/567
D782,845 S * 4/2017 Golembieski D6/574
9,936,801 B1 * 4/2018 Allen A47B 5/02
2007/0012637 A1 * 1/2007 Yu A47B 46/005
211/96

(22) Filed: **Mar. 29, 2018**

* cited by examiner

Related U.S. Application Data

(63) Continuation-in-part of application No. 29/581,813,
filed on Oct. 21, 2016, now abandoned.

Primary Examiner — David G Muller

Assistant Examiner — Nathan M Johnston

(74) *Attorney, Agent, or Firm* — Dale J. Ream

(51) **LOC (12) Cl.** **06-04**

(52) **U.S. Cl.**
USPC **D6/574**

(57) **CLAIM**

(58) **Field of Classification Search**
USPC D6/574, 320–324, 698, 513, 690;
D26/72; 52/287.1; 211/13.1, 42, 86.01,
211/88.01, 90.01; 248/205.3, 256, 243,
248/247, 249, 250; 312/108, 140.2, 229;
108/47, 48, 134; D12/426.1
CPC A47B 43/00; A47B 43/04; A47B 47/0066;
A47B 63/00; A47B 69/00; A47B 71/00;
A47B 96/022; A47B 57/42; A47B 96/02;
A47B 57/46; A47B 96/06; B65D 51/00;
A47F 7/0035

The ornamental design for a balcony table, as shown and described.

See application file for complete search history.

DESCRIPTION

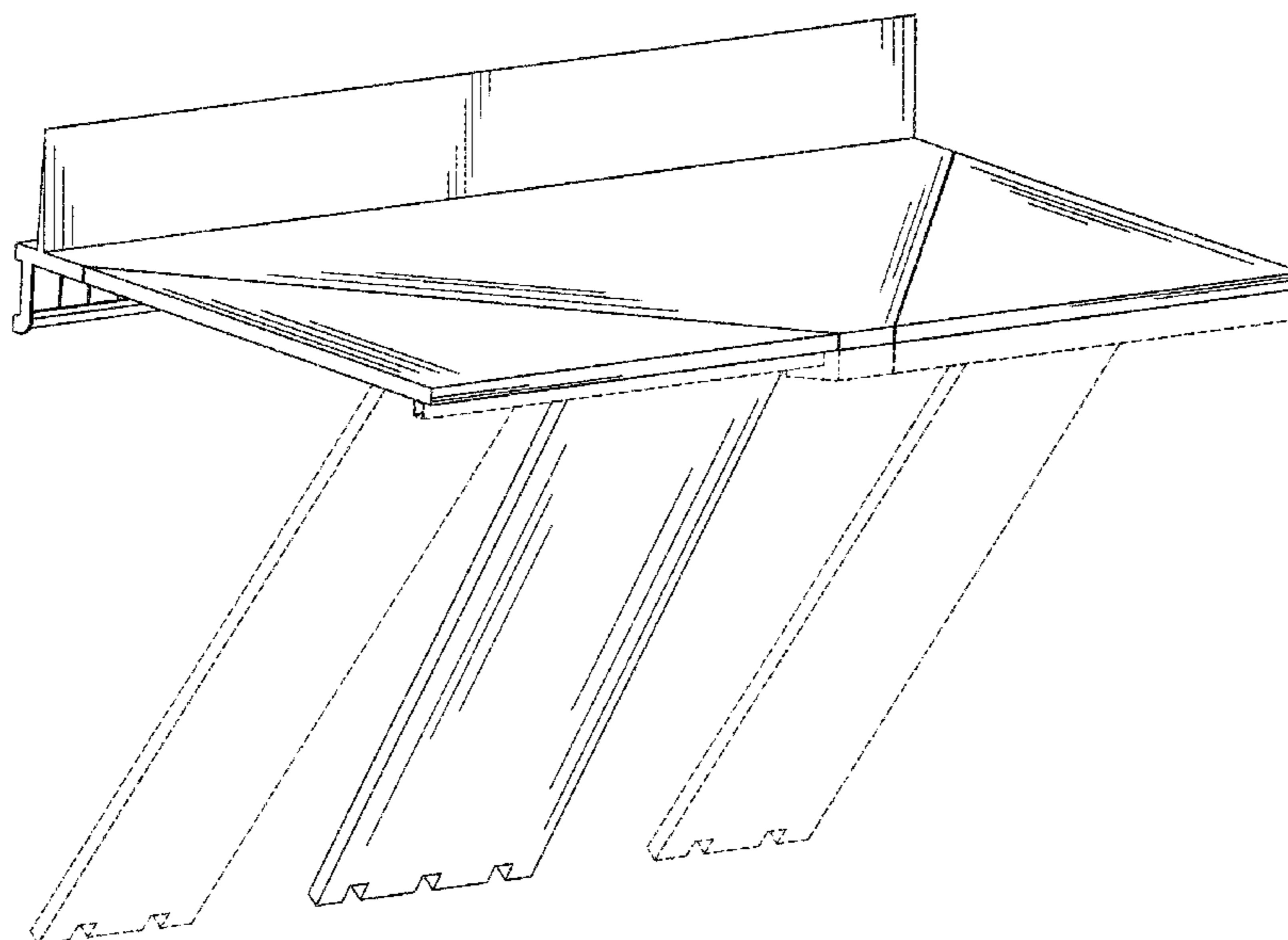
(56) **References Cited**

U.S. PATENT DOCUMENTS

D176,637 S * 1/1956 Sivertson 211/88.01
D267,699 S * 1/1983 Prawl D8/354

FIG. 1 is a perspective view of a balcony table showing our new design illustrated mounted to a balcony rail apparatus; FIG. 2 is a perspective view thereof; FIG. 3 is a left side elevation view thereof, the right side elevation view being a mirror image thereof; FIG. 4 is a left side perspective view thereof; and, FIG. 5 is an exploded view thereof. The broken line showing of parts of the drawings is included for the purpose of illustrating use and environment and forms no part of the claimed design.

1 Claim, 5 Drawing Sheets



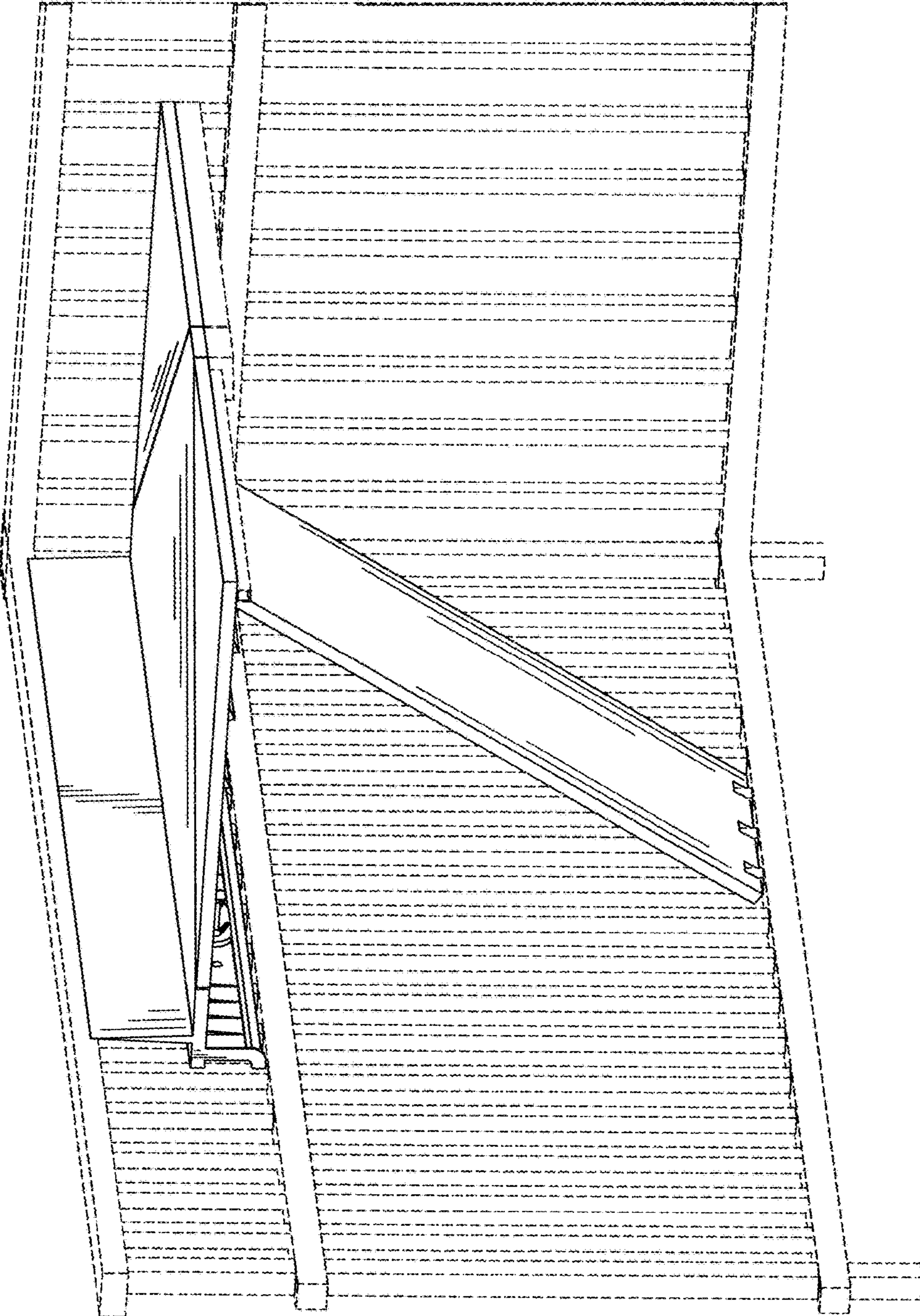


Fig. 1

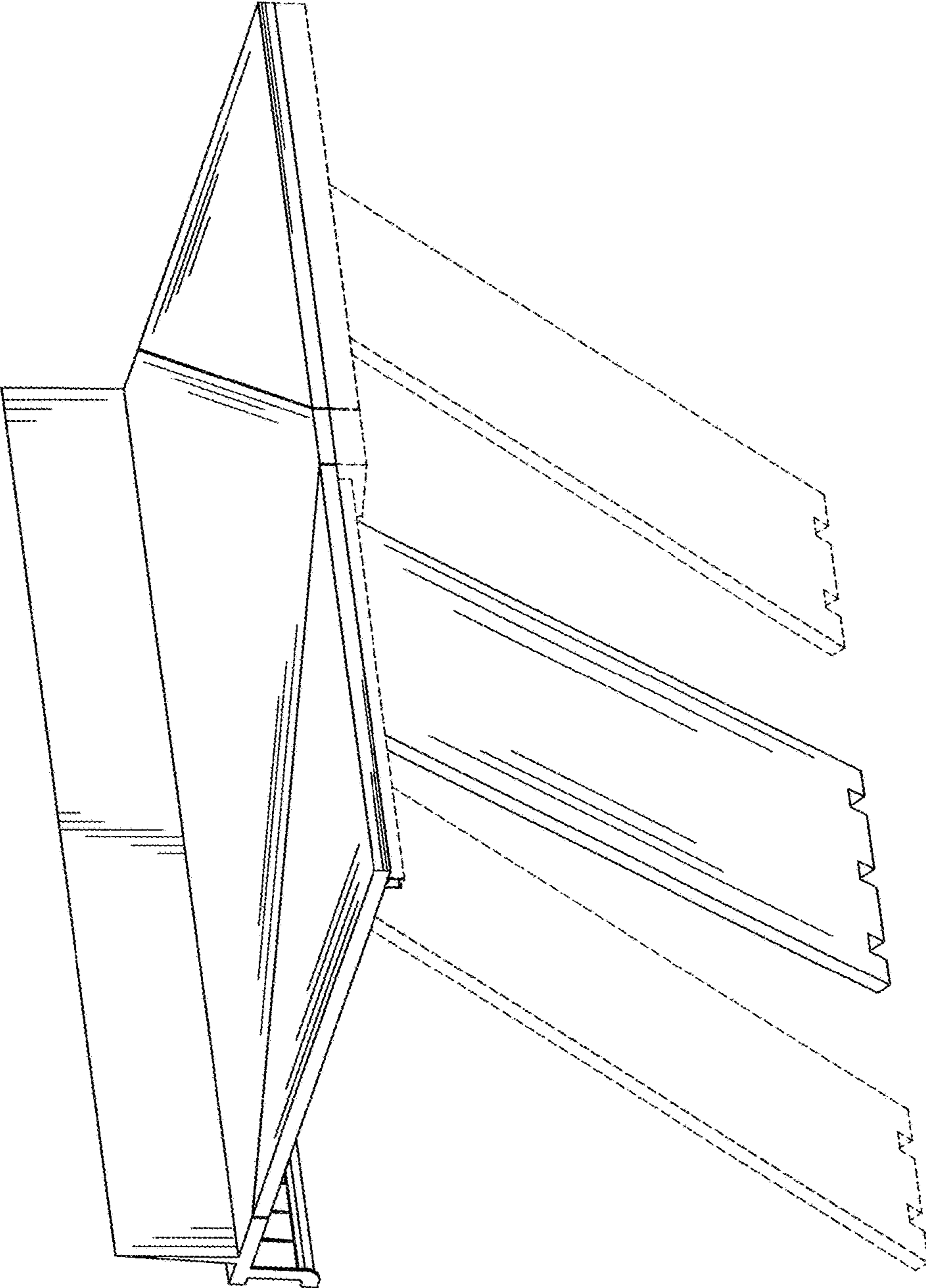


Fig. 2

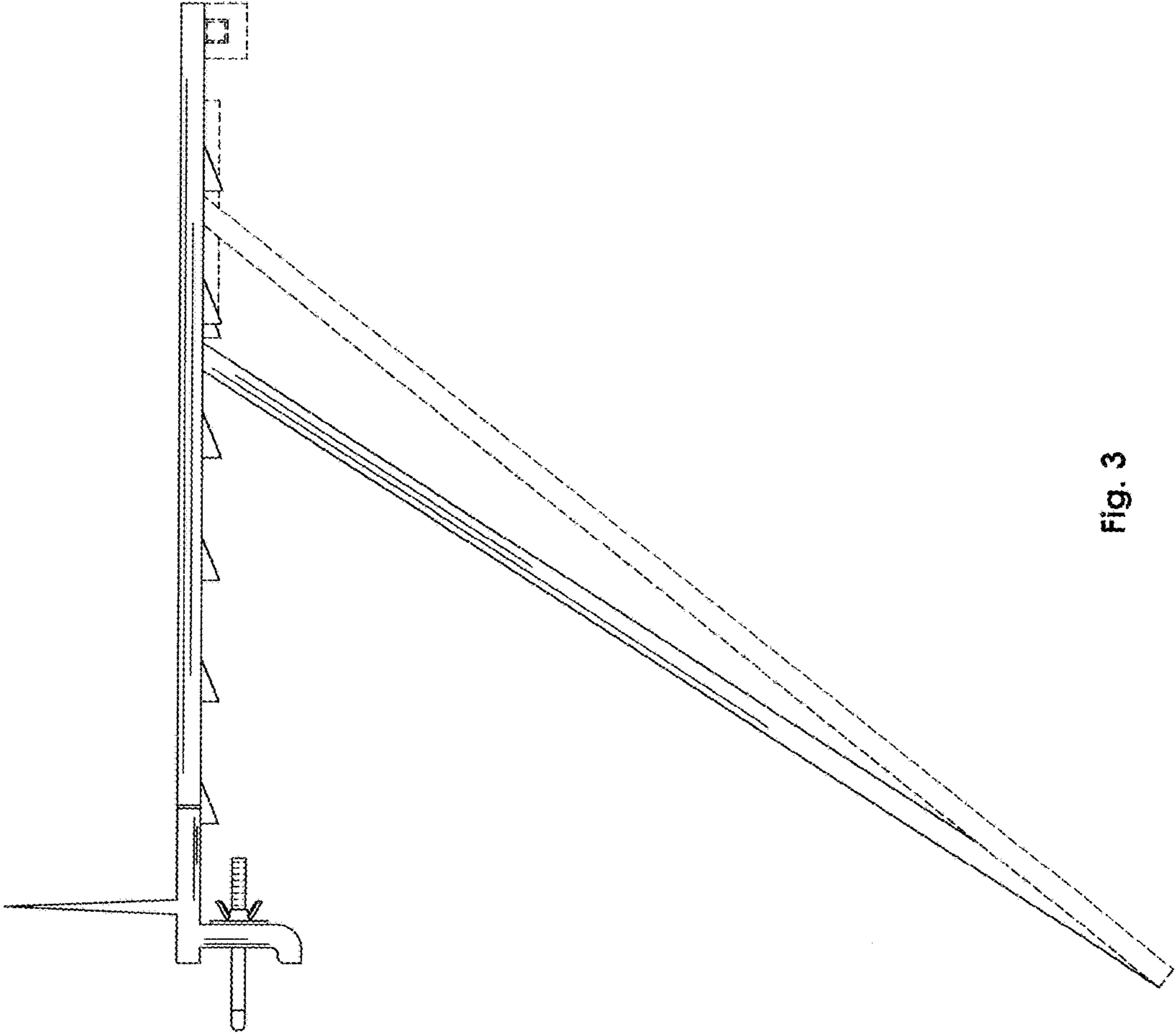


Fig. 3

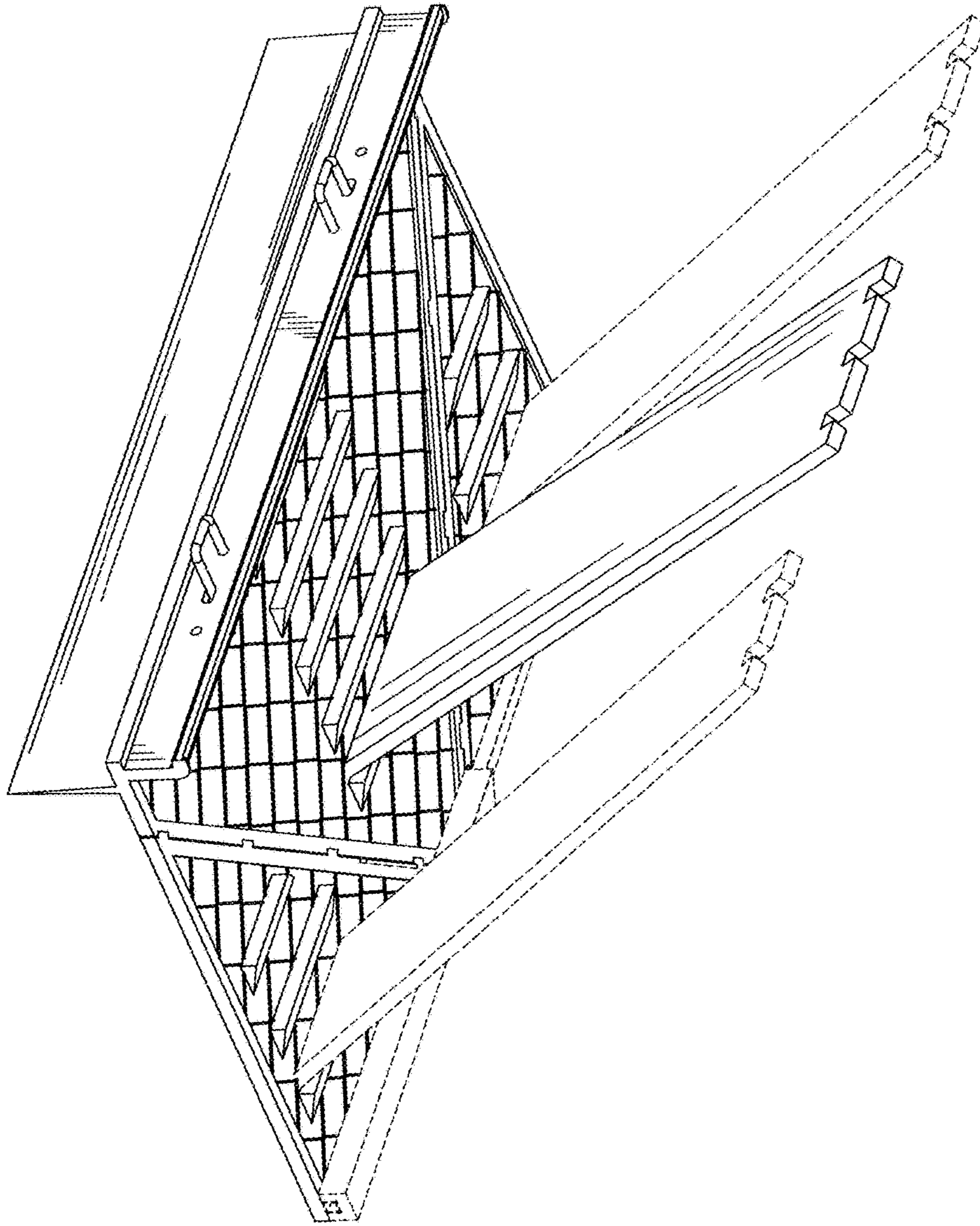


Fig. 4

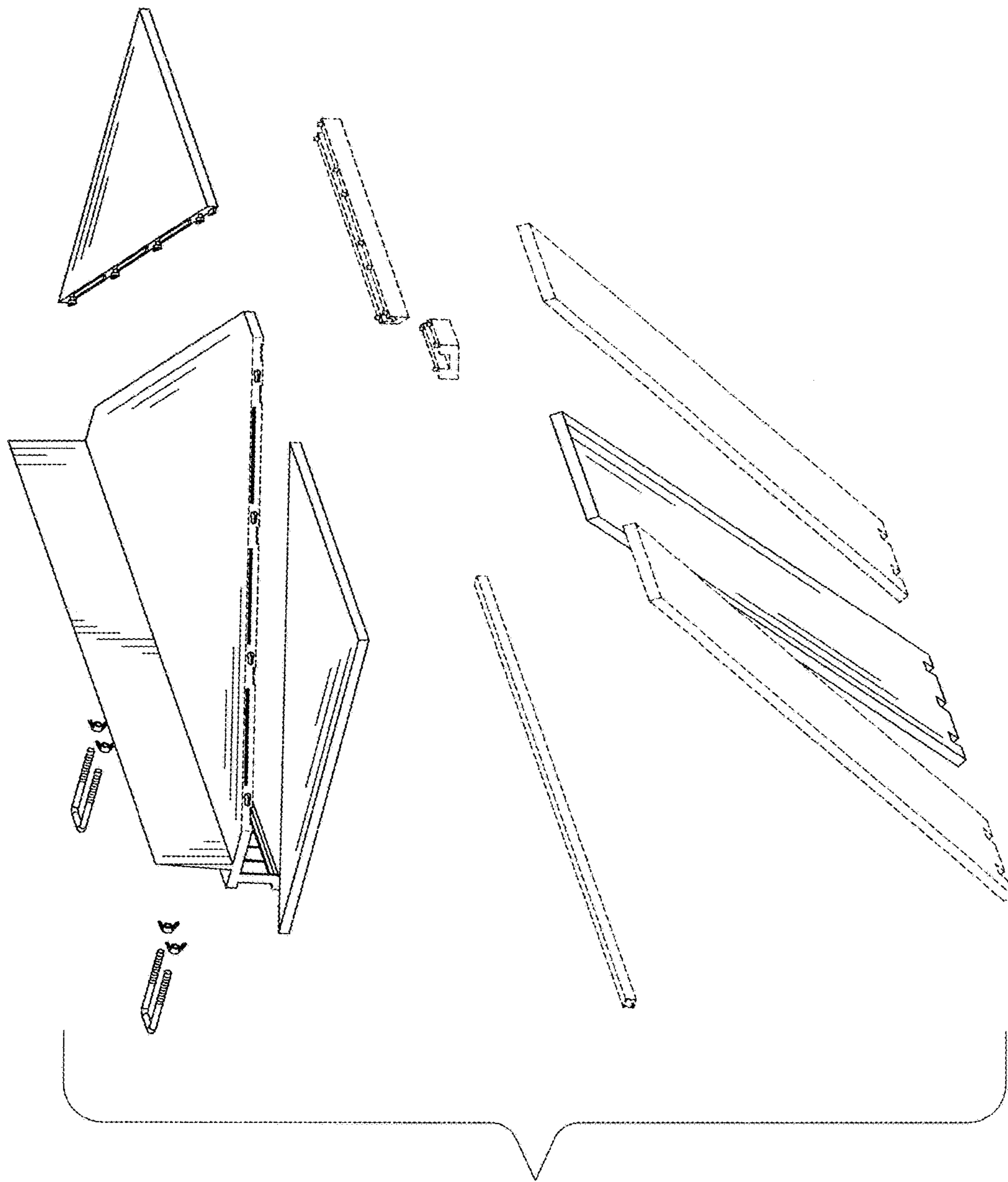


Fig. 5