



US00D865389S

(12) **United States Design Patent**  
**Hefti et al.**

(10) **Patent No.:** **US D865,389 S**

(45) **Date of Patent:** **\*\* Nov. 5, 2019**

- (54) **BALL CHAIR FRAME**
- (71) Applicant: **Massage For Pets LLC**, New York, NY (US)
- (72) Inventors: **Jody M. Hefti**, Louisville, CO (US); **Cordell Pearce**, Denver, CO (US)
- (73) Assignee: **Massage For Pets LLC**, New York, NY (US)
- (\*\*) Term: **15 Years**
- (21) Appl. No.: **29/627,386**
- (22) Filed: **Nov. 27, 2017**
- (51) **LOC (12) Cl.** ..... **06-01**
- (52) **U.S. Cl.**  
USPC ..... **D6/366**
- (58) **Field of Classification Search**  
USPC ..... D6/334-336, 352, 364, 374, 379, 380, D6/716, 716.1, 716.2, 716.3, 716.4  
CPC .. A47C 7/02; A47C 7/004; A47C 4/54; A47C 7/46; A47C 9/002  
See application file for complete search history.

- 8,056,976 B1 \* 11/2011 Polk ..... A47C 9/002 297/258.1
  - D667,903 S 9/2012 Chiu
  - D669,280 S \* 10/2012 Andersson ..... D6/379
  - D679,916 S \* 4/2013 Barney ..... D6/366
  - 9,408,469 B1 8/2016 Chiu
  - D778,655 S 2/2017 Chiu
  - D783,301 S \* 4/2017 Hsu ..... D6/366
  - 9,713,383 B2 \* 7/2017 Hsu ..... A47C 9/002
  - 9,919,185 B1 \* 3/2018 Qiubo ..... A47C 7/002
- (Continued)

**FOREIGN PATENT DOCUMENTS**

- EP 0563820 A1 \* 10/1993 ..... A47C 3/12
- EP 0870444 A2 \* 10/1998 ..... A47C 3/16
- FR 2859640 A1 \* 3/2005 ..... A47C 3/16

*Primary Examiner* — Mimosa De

(74) *Attorney, Agent, or Firm* — Kirschstein, Israel, Schiffmiller & Pieroni, P.C.

(57) **CLAIM**

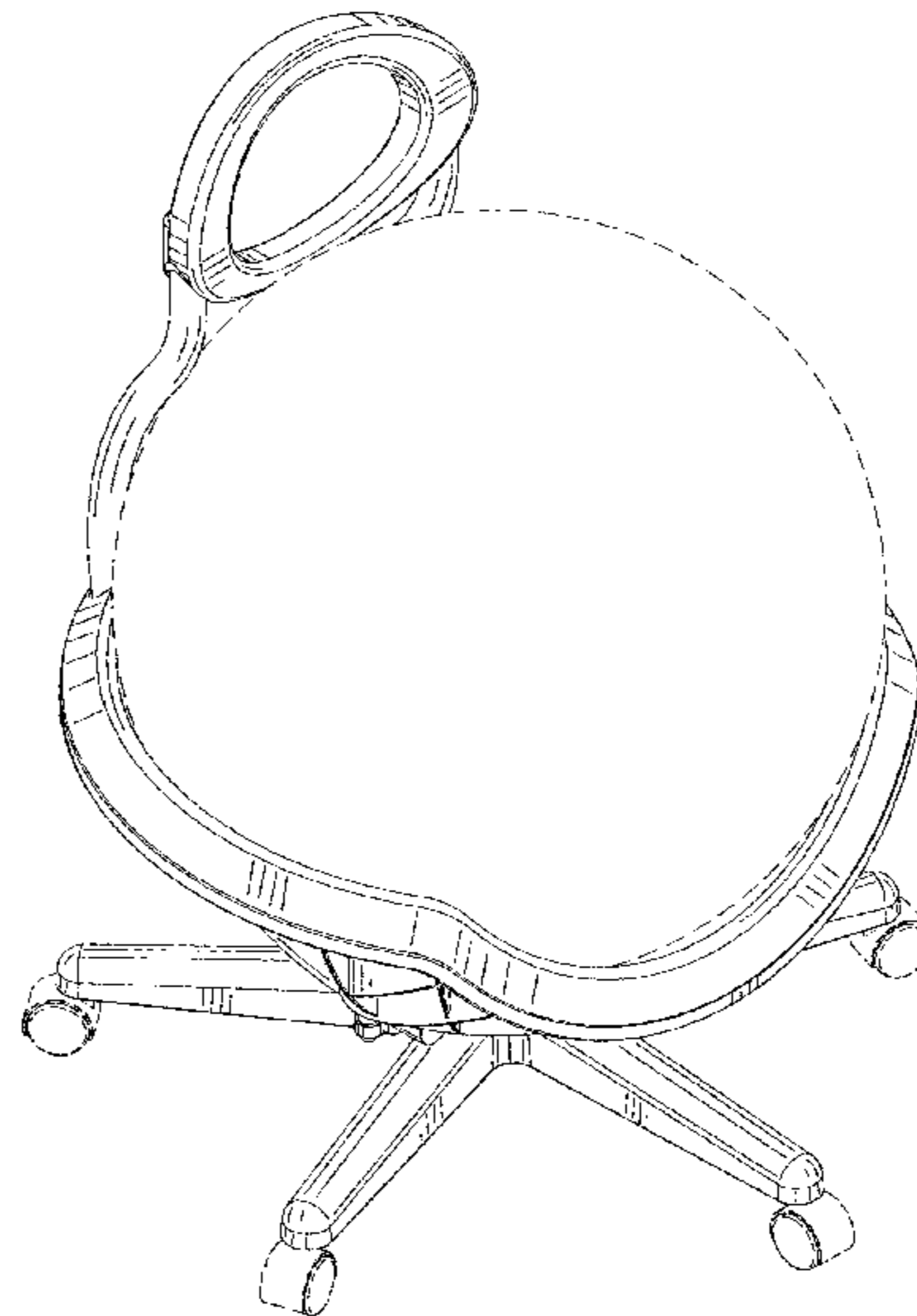
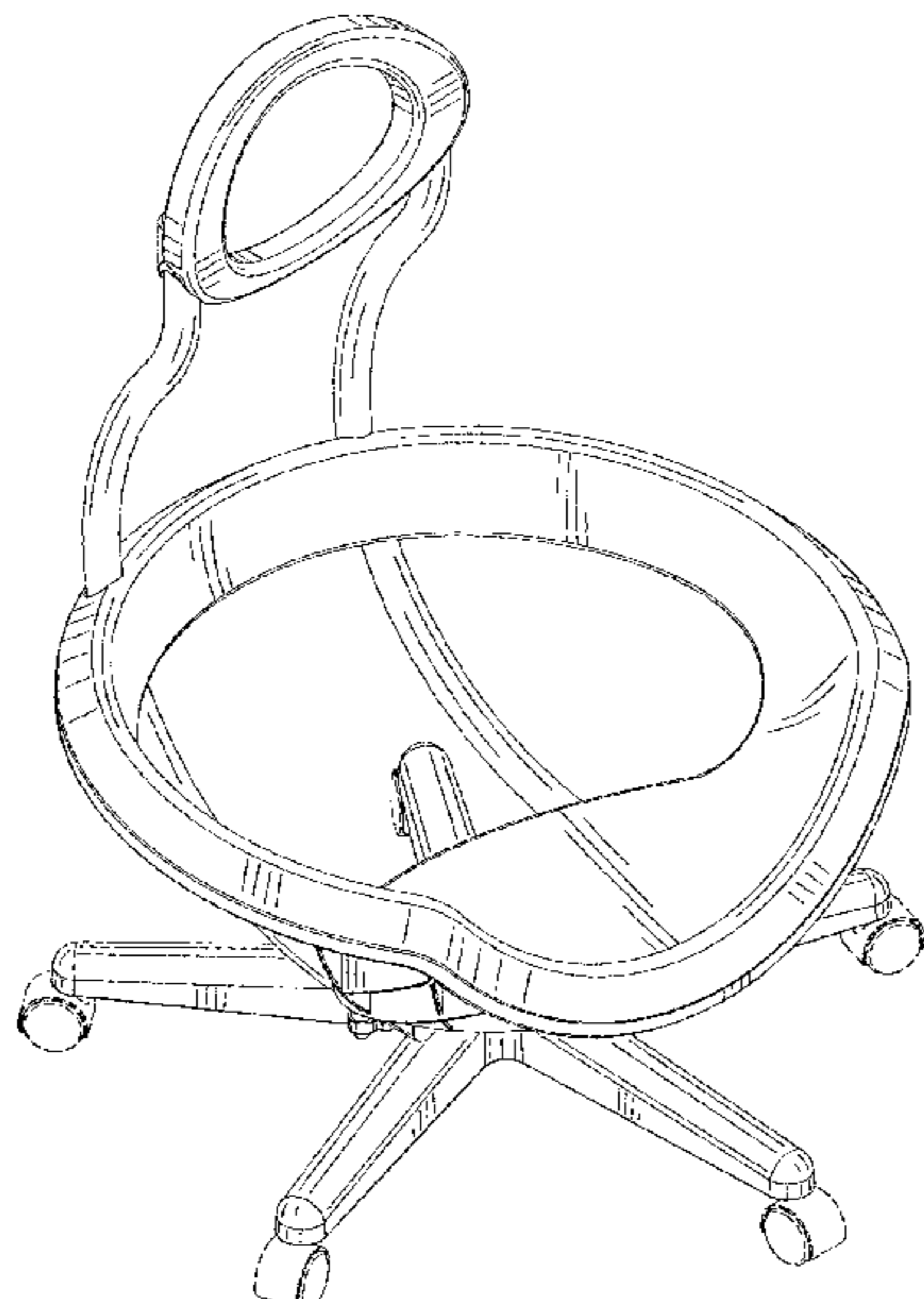
The ornamental design for a ball chair frame, as shown and described.

**DESCRIPTION**

FIG. 1 is a perspective view of a ball chair frame as seen from above according to our new design.  
 FIG. 2 is a perspective view thereof as seen from below.  
 FIG. 3 is a front elevational view thereof.  
 FIG. 4 is a rear elevational view thereof.  
 FIG. 5 is a left side elevational view thereof.  
 FIG. 6 is a right side elevational view thereof.  
 FIG. 7 is a top plan view thereof.  
 FIG. 8 is a bottom plan view thereof; and,  
 FIG. 9 is a perspective view analogous to FIG. 1, and showing a ball on the ball chair frame in dashed lines during use.  
 The dashed lines throughout the drawings show environmental structure that form no part of the claimed design.

**1 Claim, 9 Drawing Sheets**

- (56) **References Cited**
- U.S. PATENT DOCUMENTS**
- 5,690,389 A \* 11/1997 Ekman ..... A47C 9/002 248/599
- 6,070,943 A \* 6/2000 Guery-Strahm ..... A47C 9/002 297/440.1
- D471,025 S 3/2003 Chiu
- D471,371 S 3/2003 Chiu
- 6,702,388 B1 3/2004 Chiu
- 6,832,817 B1 12/2004 Chiu
- D503,553 S 4/2005 Chiu
- 7,044,558 B2 5/2006 Chiu
- 7,140,677 B1 11/2006 Chiu
- 7,341,548 B2 \* 3/2008 Heitzman ..... A47C 4/54 482/142



(56)

**References Cited**

U.S. PATENT DOCUMENTS

D819,356 S *	6/2018	Borak	.....	D6/380
10,279,211 B2 *	5/2019	Chiu	.....	A47C 9/002
2004/0245838 A1 *	12/2004	Chiu	.....	A47C 4/54
				297/452.41
2008/0176727 A1 *	7/2008	Heitzman	.....	A47C 4/54
				482/142
2013/0057030 A1 *	3/2013	Mankin	.....	A47C 4/54
				297/42
2016/0353894 A1 *	12/2016	Hsu	.....	A47C 9/002

\* cited by examiner

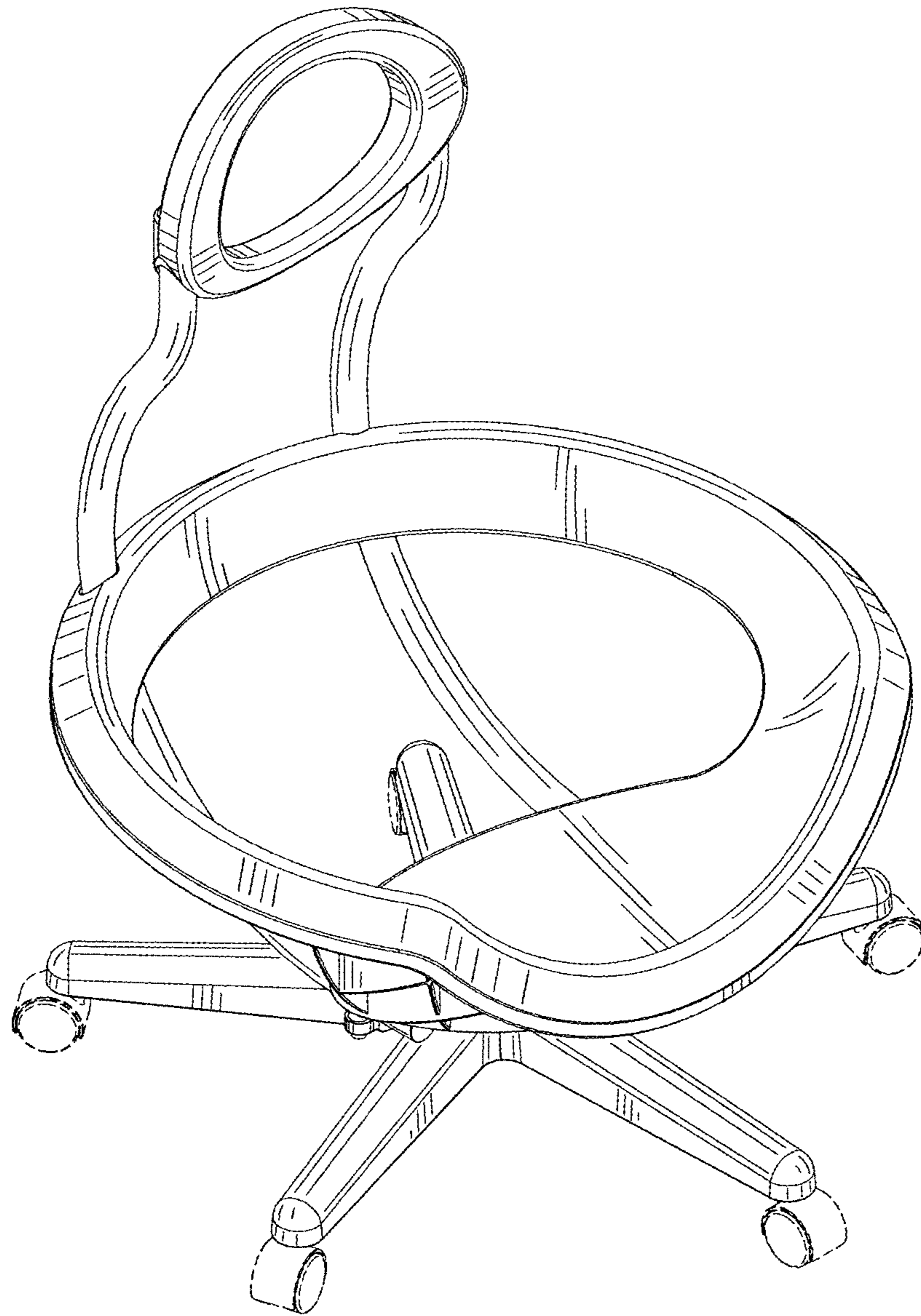


FIG. 1



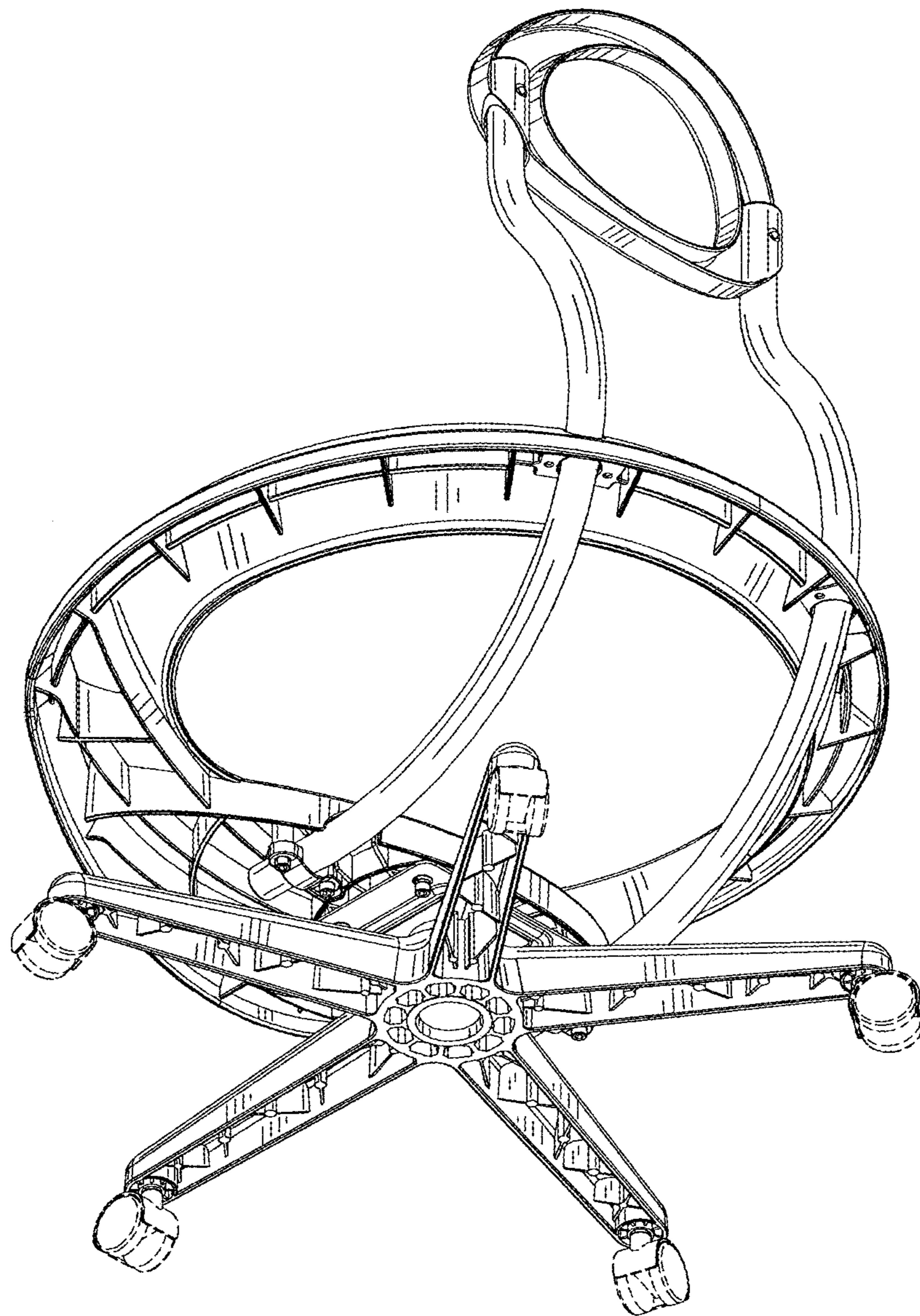


FIG. 2

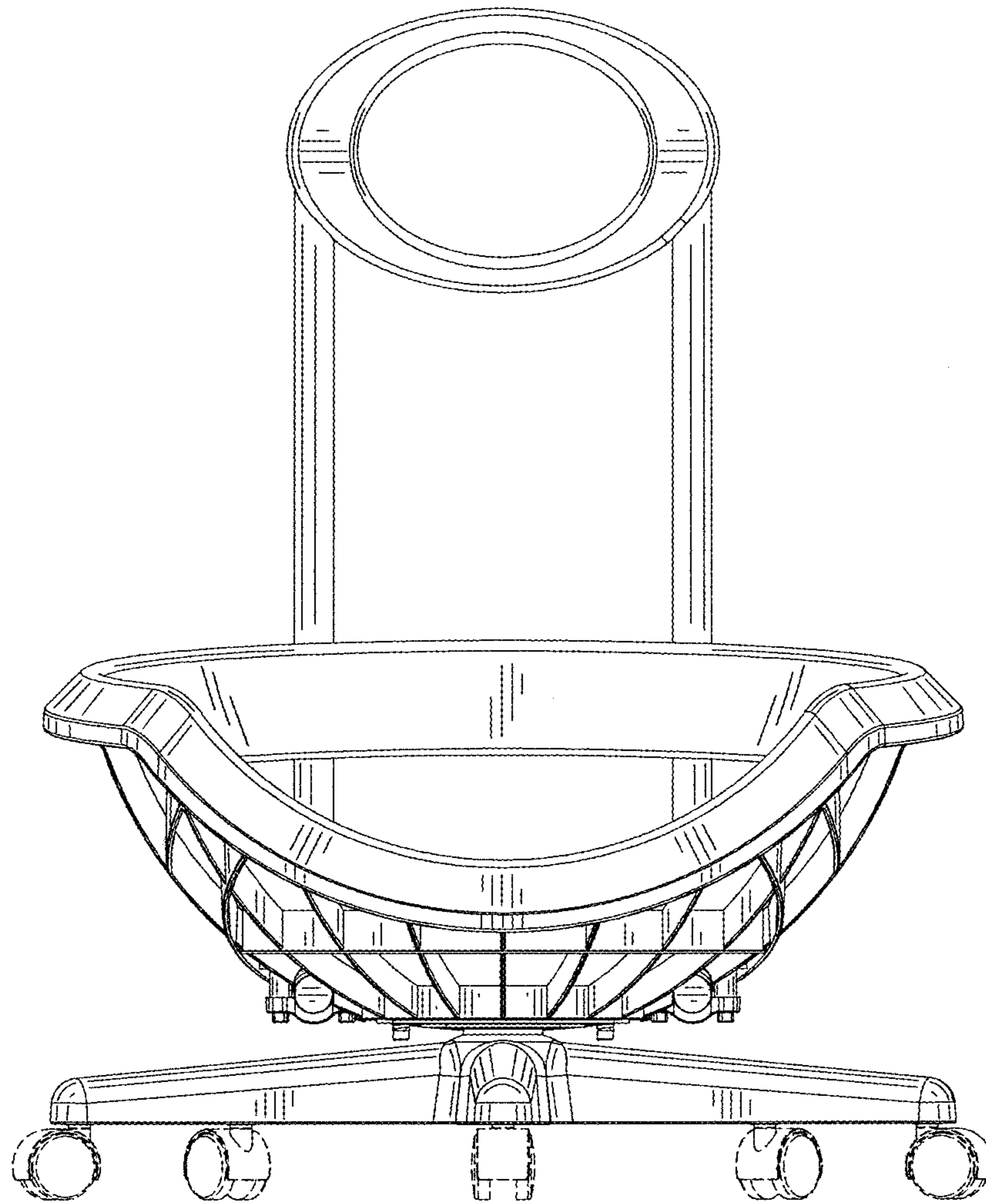


FIG. 3

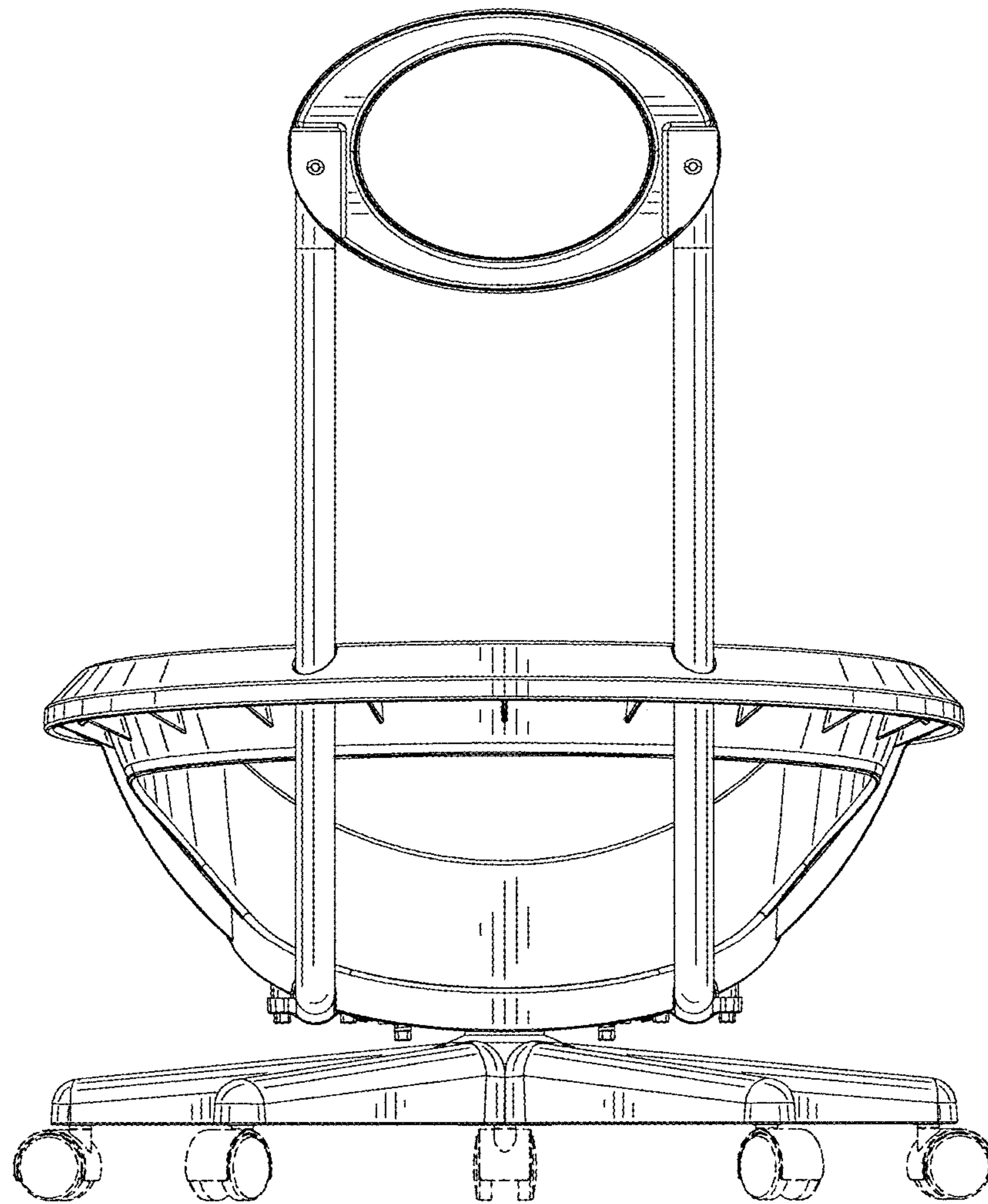


FIG. 4

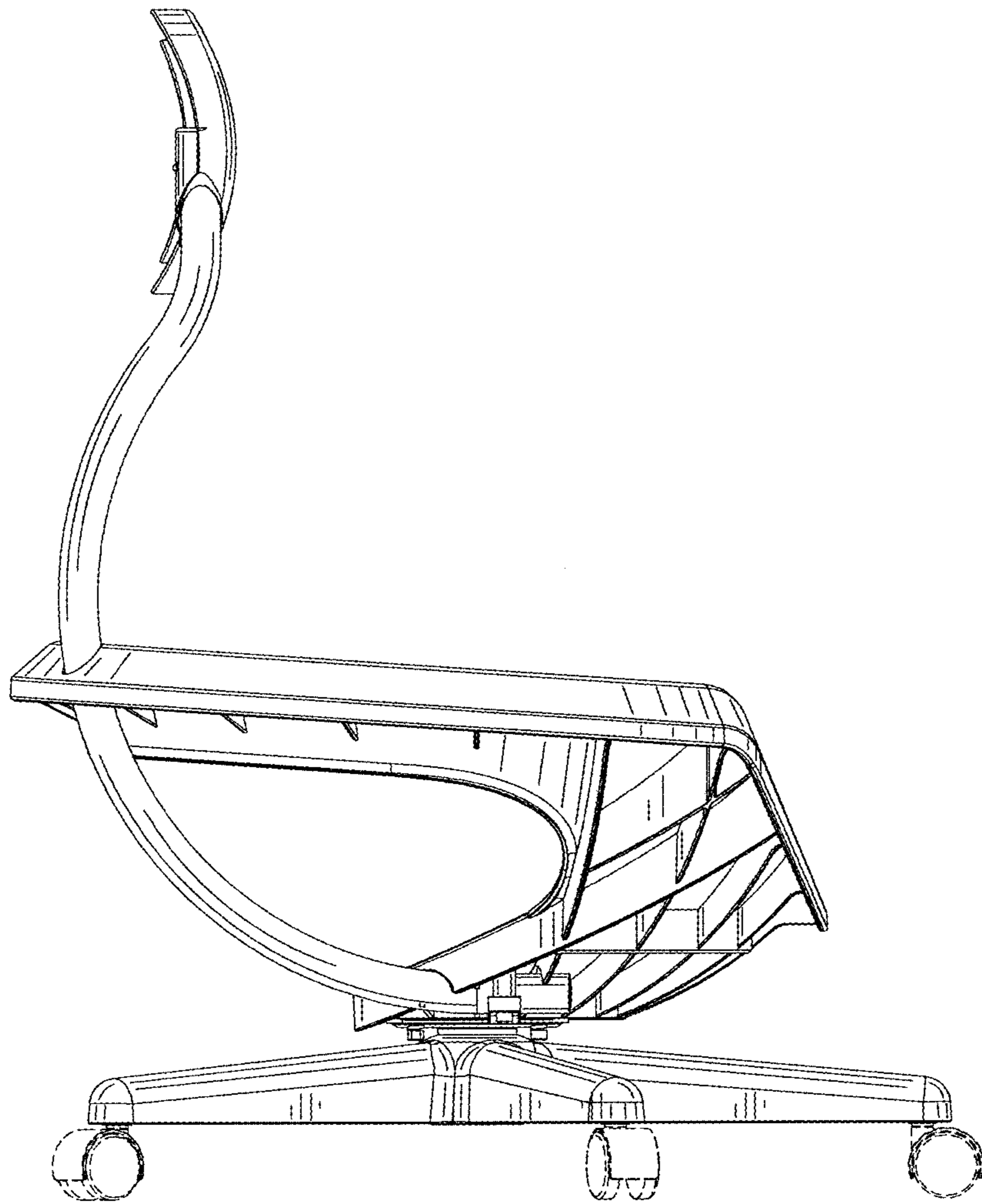


FIG. 5



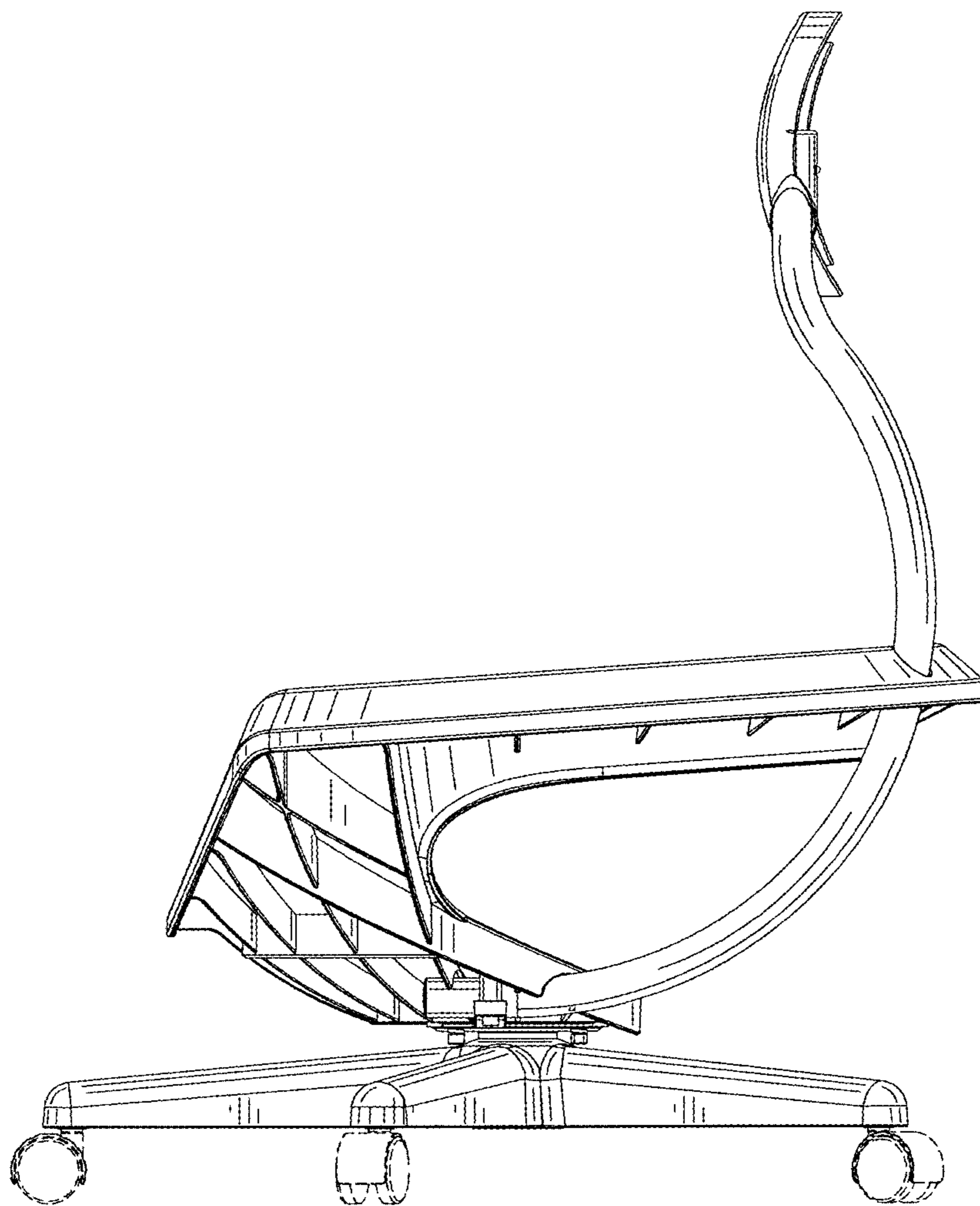


FIG. 6



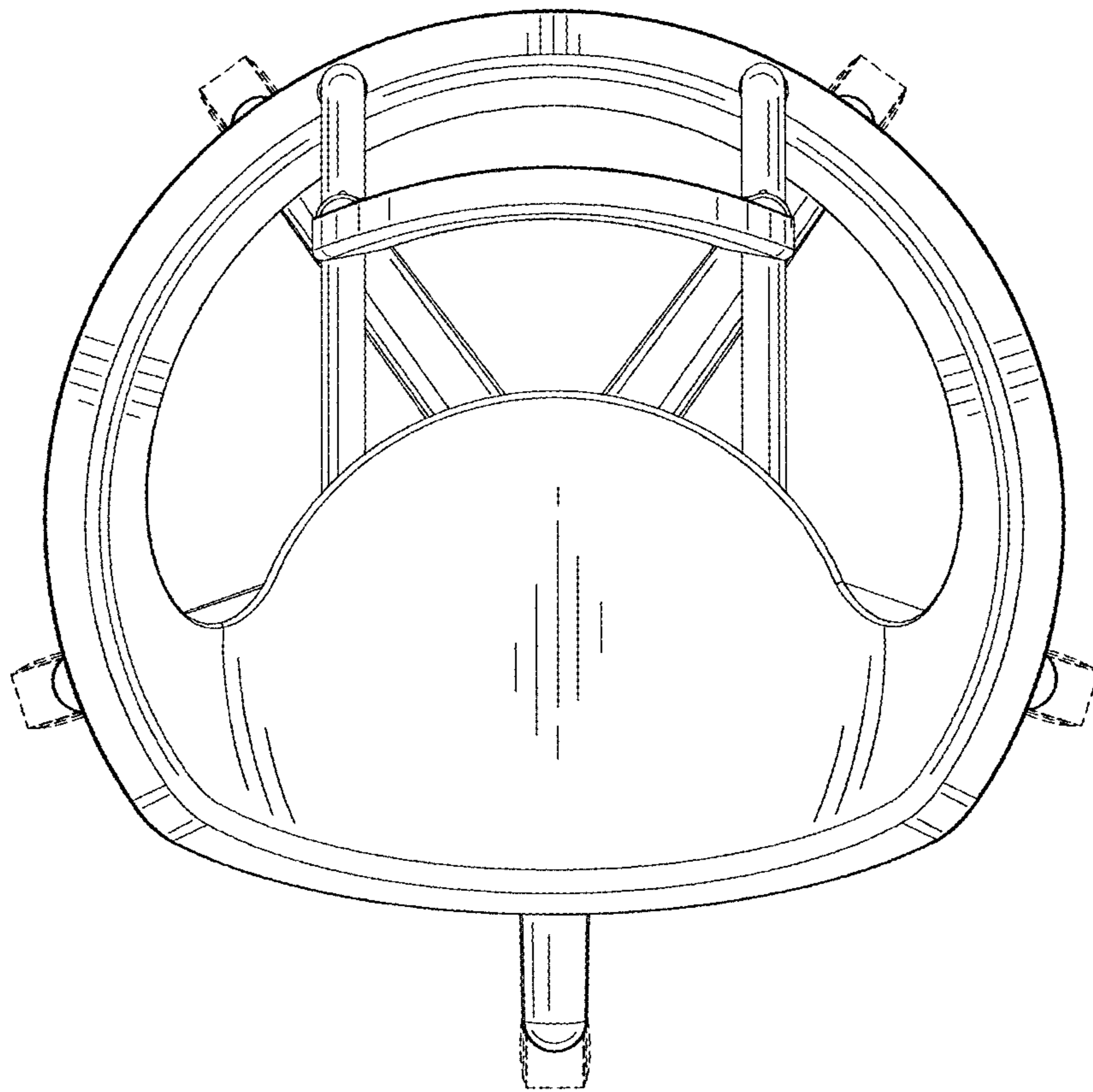


FIG. 7

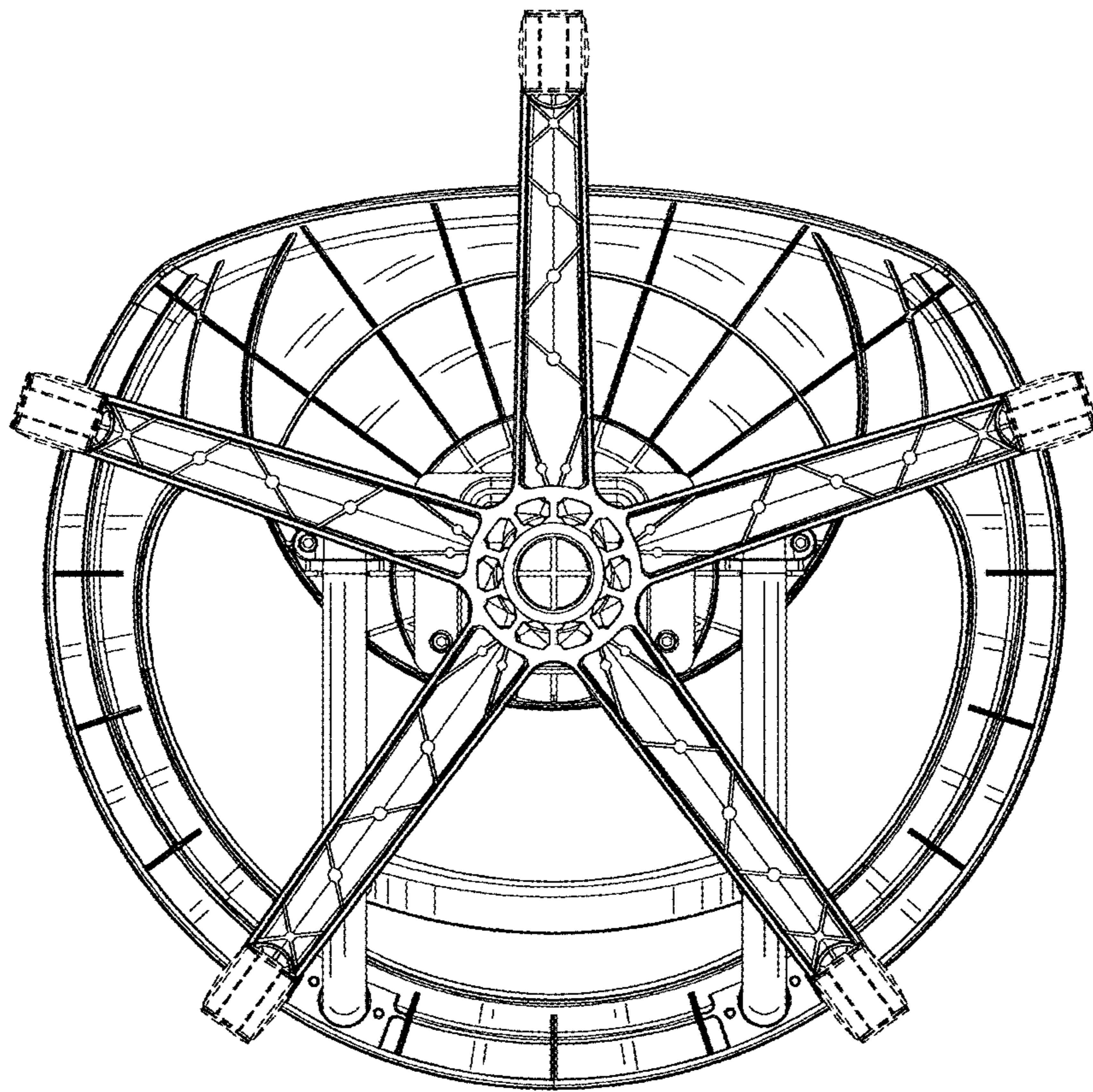


FIG. 8

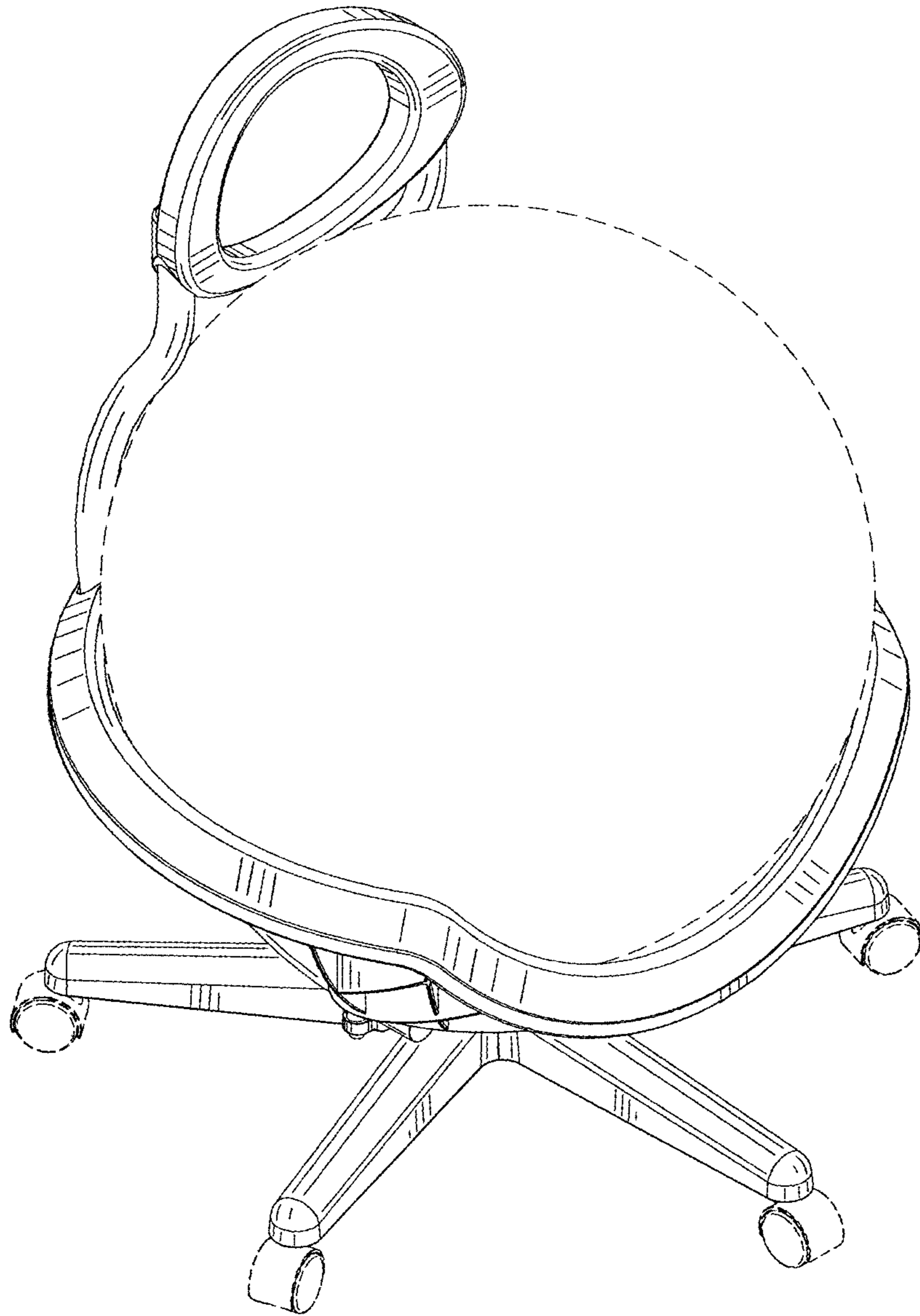


FIG. 9