



US00D865388S

(12) **United States Design Patent**
Pedersen et al.

(10) **Patent No.:** **US D865,388 S**

(45) **Date of Patent:** **** Nov. 5, 2019**

(54) **OTTOMAN**

(71) Applicant: **Target Brands, Inc.**, Minneapolis, MN (US)

(72) Inventors: **Sara L. Pedersen**, Minneapolis, MN (US); **Scott E. Denby**, Minneapolis, MN (US)

(73) Assignee: **Target Brands, Inc.**, Minneapolis, MN (US)

(**) Term: **15 Years**

(21) Appl. No.: **29/661,615**

(22) Filed: **Aug. 29, 2018**

(51) **LOC (12) Cl.** **06-01**

(52) **U.S. Cl.**

USPC **D6/352**; D6/336; D6/692.3

(58) **Field of Classification Search**

USPC D6/348–353, 355, 358, 364–365, 360, D6/369, 374, 381, 597, 691–691.9, D6/692–692.6, 336, 668.2, 708.2

CPC ... A47C 16/02–04; A47C 11/00; A47C 9/007; A47C 13/00; A47K 17/02–028; A47B 7/00–02

See application file for complete search history.

(56) **References Cited**

U.S. PATENT DOCUMENTS

D172,633	S	*	7/1954	Niemann	D6/349
3,536,359	A	*	10/1970	Amos	A47C 3/04
						297/462
3,695,742	A	*	10/1972	Allen	A47B 69/00
						312/237
D355,077	S	*	2/1995	Tegner	D30/118
D384,211	S	*	9/1997	Wied	D6/349
6,406,098	B1	*	6/2002	Linder	A47C 3/16
						220/592.2
D545,071	S	*	6/2007	Potter	D6/336
D666,839	S	*	9/2012	Johnson	D6/349
D681,356	S	*	5/2013	Iwasaki	D6/349
D803,604	S	*	11/2017	Arditi	D6/667

(Continued)

OTHER PUBLICATIONS

Endearing Round Storage Ottoman With Tray with Valencia Canvas Round Storage Ottoman Contemporary Footstools. [online] Retrieved Aug. 19, 2019 from URL: <http://www.arcoirisdecoracion.com/round-storage-ottoman-with-tray/endearing-round-storage-ottoman-with-tray-with-valencia-canvas-round-storage-ottoman-contemporary-foot>.*

Primary Examiner — Vy N Koenig

(74) *Attorney, Agent, or Firm* — Leanne Taveggia Farrell; Westman, Champlin & Koehler, P.A.

(57) **CLAIM**

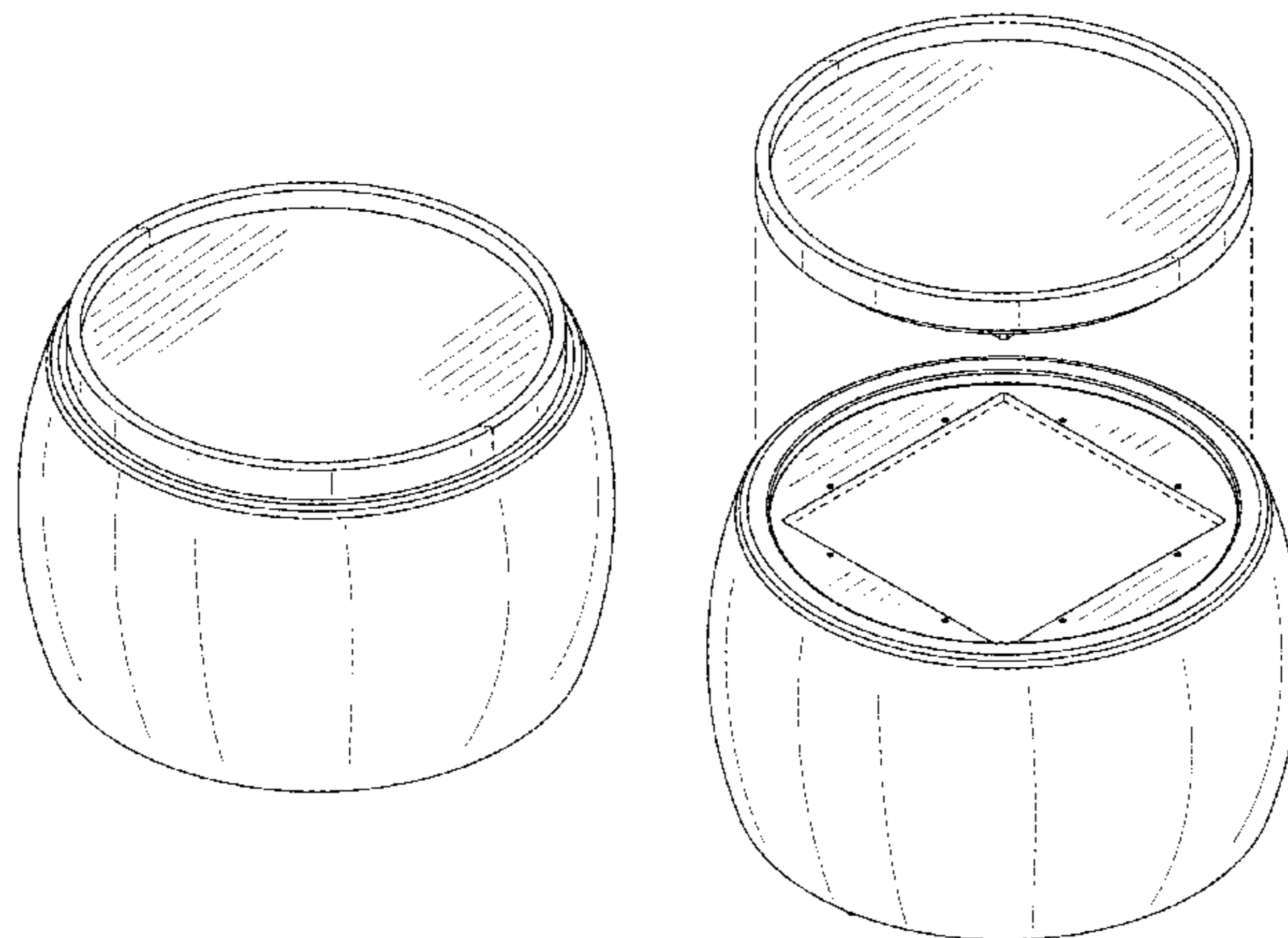
The ornamental design for an ottoman, as shown and described.

DESCRIPTION

FIG. 1 is a perspective view of a first embodiment of an ottoman showing our new design; FIG. 2 is a front view thereof, the back view being identical; FIG. 3 is a right side view thereof, the left side view being identical; FIG. 4 is a top view thereof; FIG. 5 is a perspective view of a second embodiment thereof; FIG. 6 is a perspective view of FIG. 5 shown in an alternate position; FIG. 7 is front view of FIG. 5, the back view being identical; FIG. 8 is a right side view of FIG. 5, the left side view being identical; FIG. 9 is a top view of FIG. 5; and, FIG. 10 is a section view taken through line 10-10 in FIG. 7.

The broken lines shown in the drawings are included for purposes of illustrating portions of the ottoman and form no part of the claimed design.

1 Claim, 6 Drawing Sheets



(56)

References Cited

U.S. PATENT DOCUMENTS

D818,730 S * 5/2018 Melbostad D6/352
D837,543 S * 1/2019 Risdall D6/344

* cited by examiner

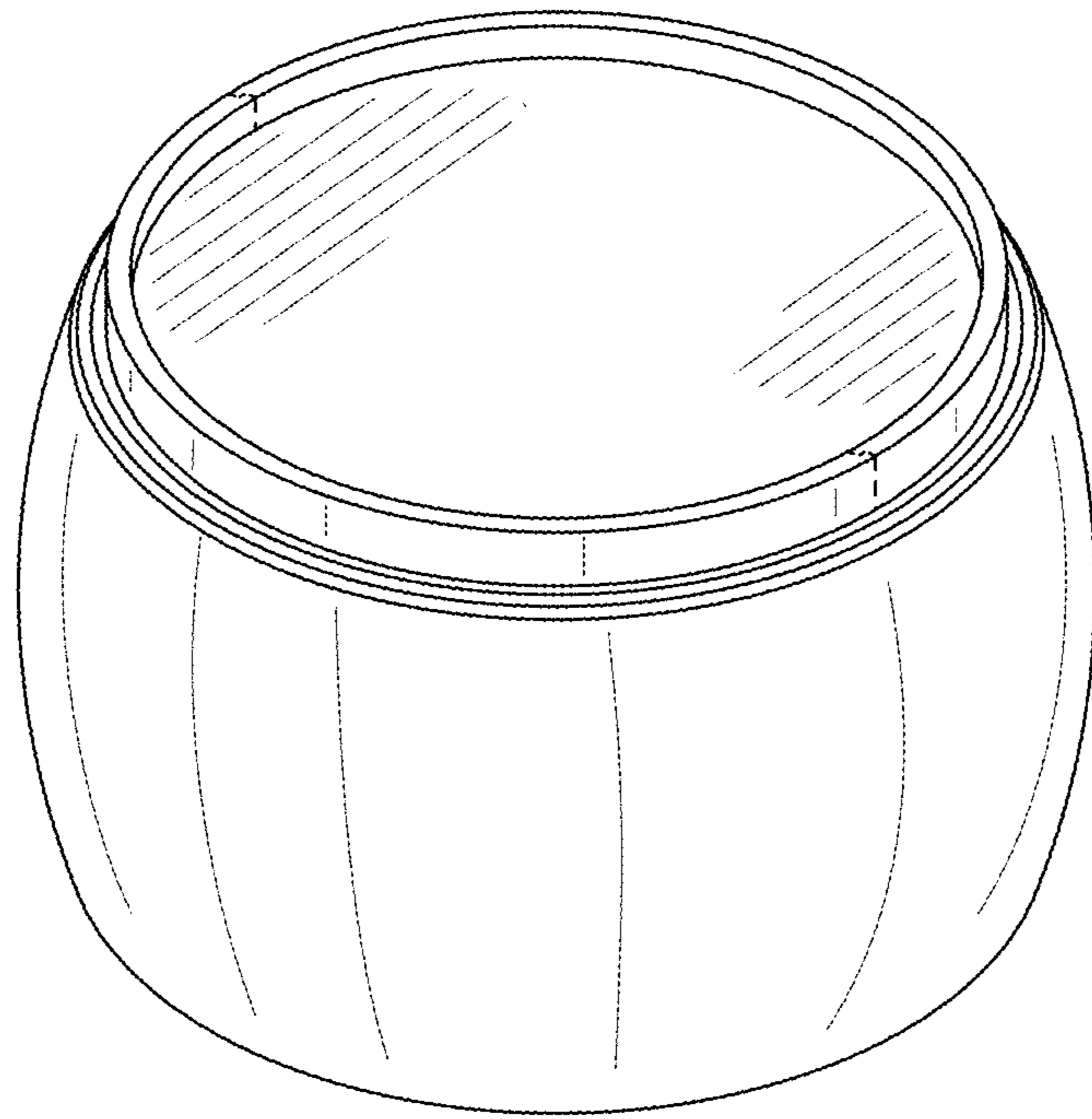


Fig. 1

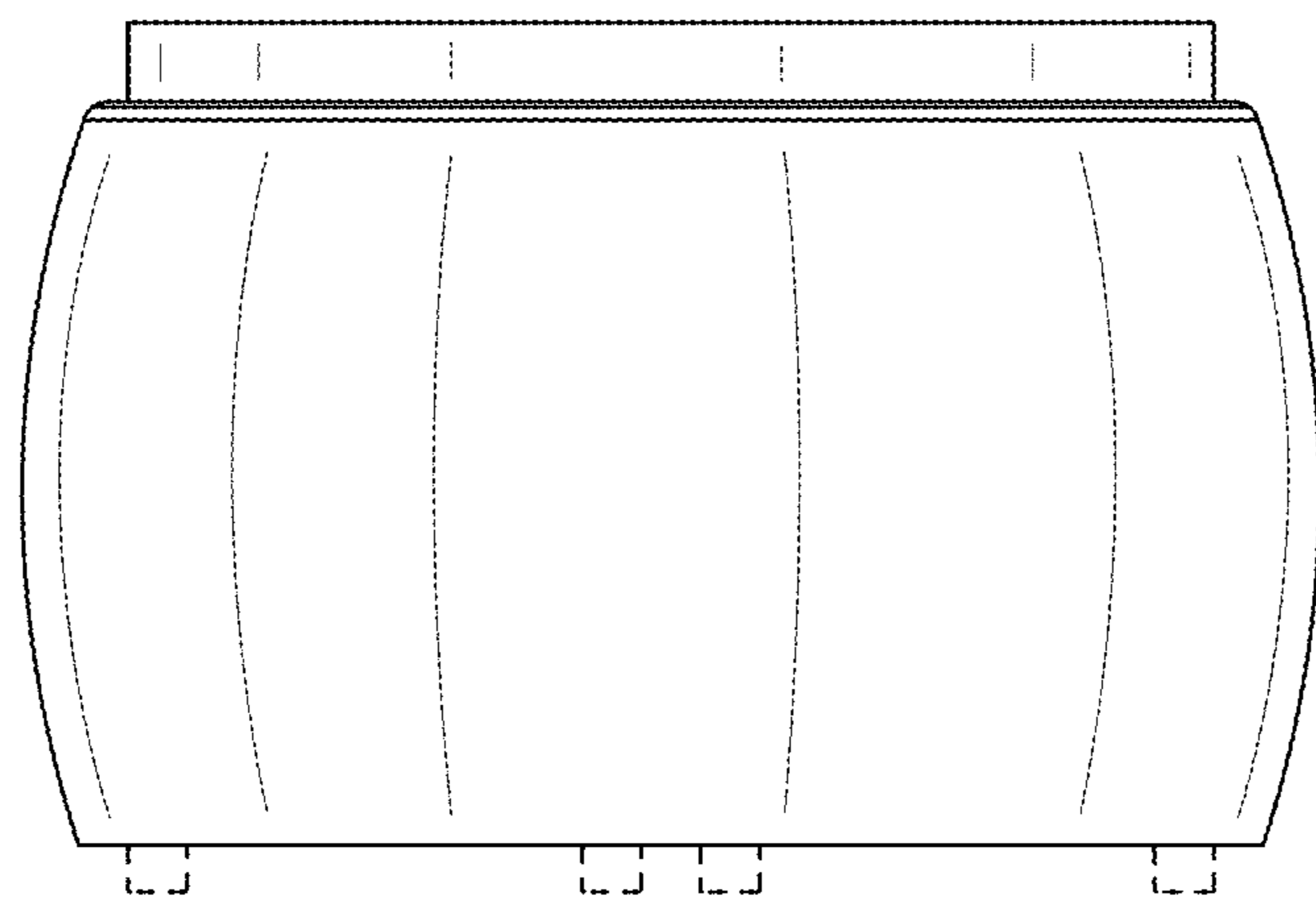


Fig. 2

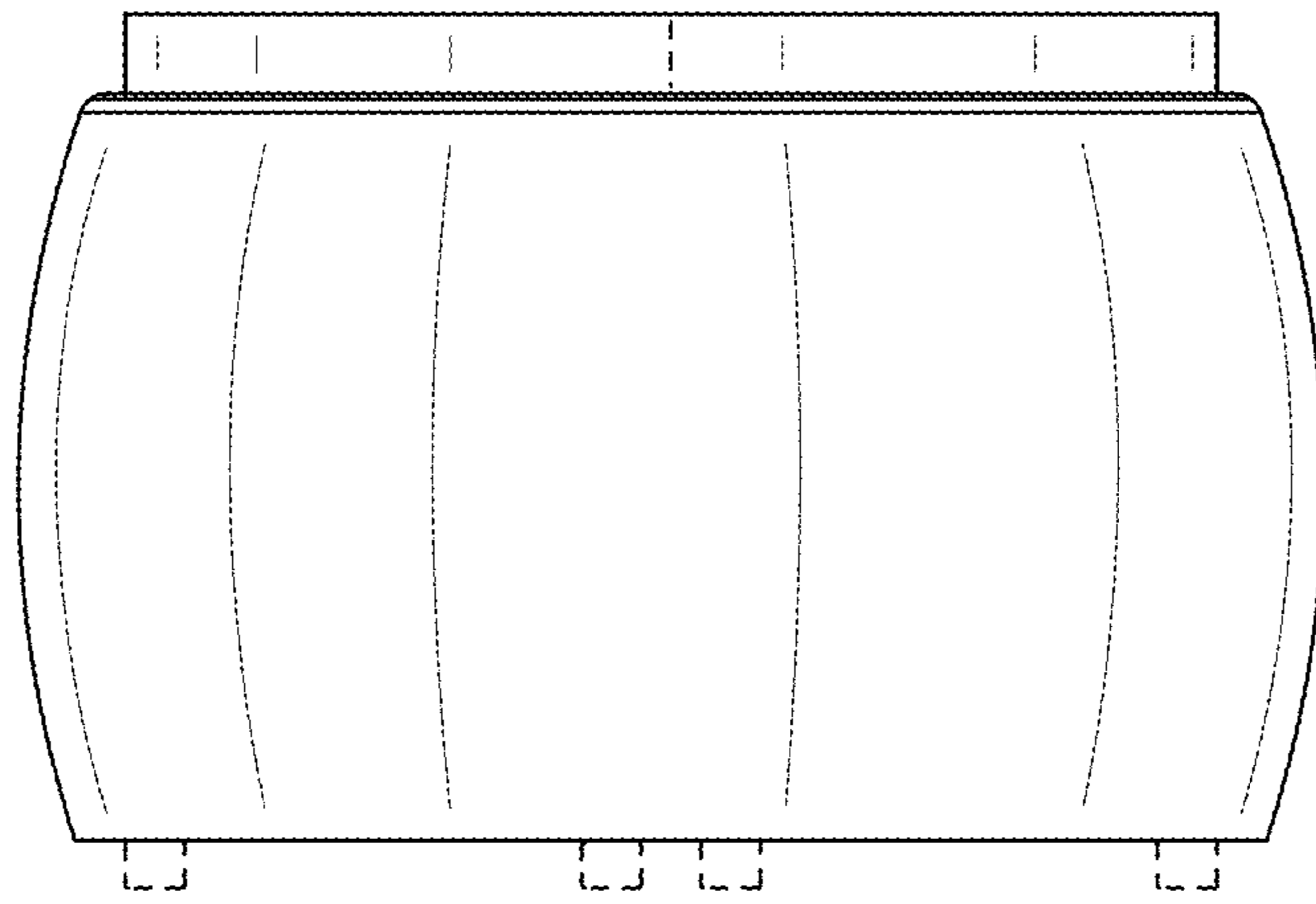


Fig. 3

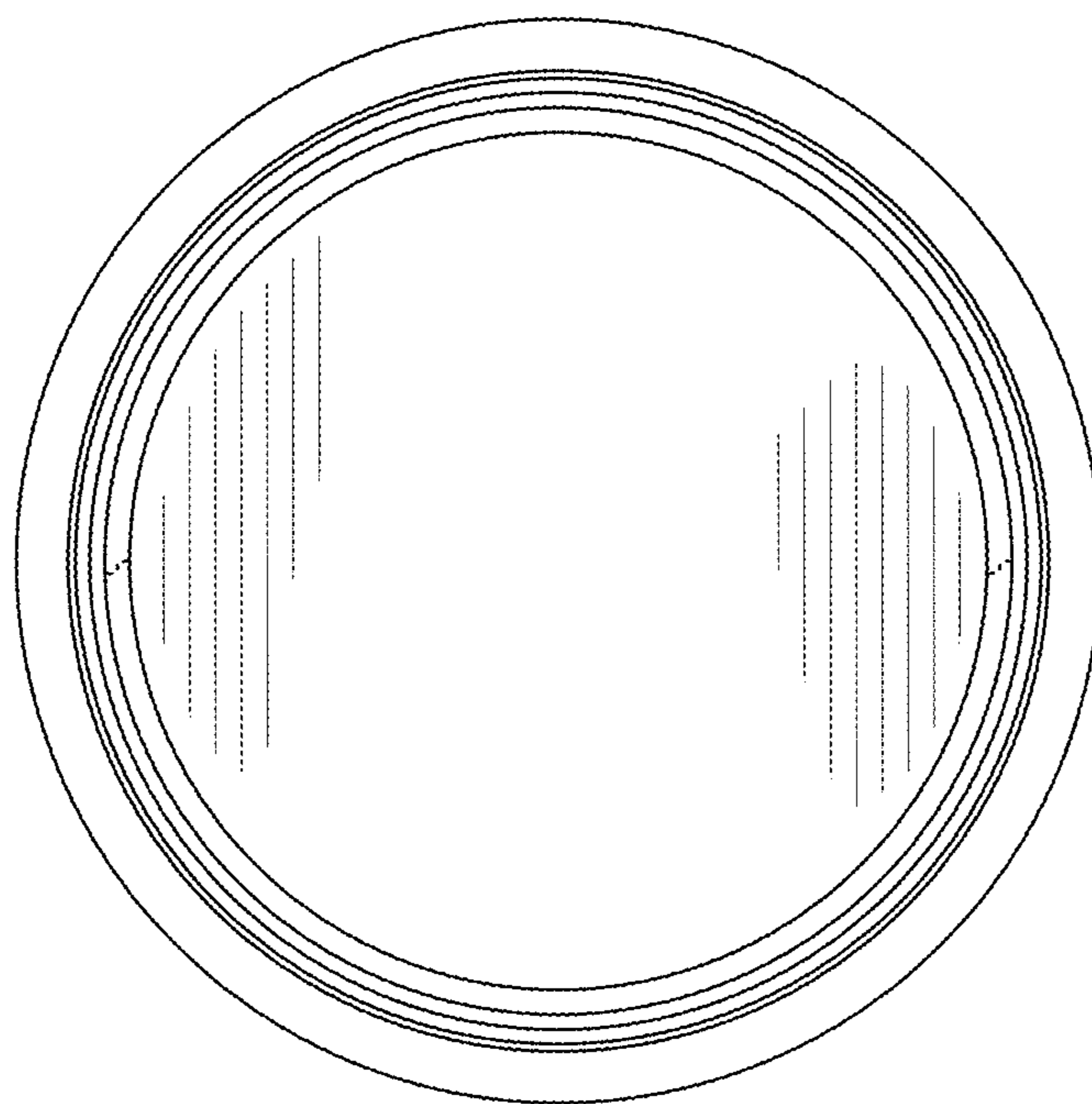


Fig. 4

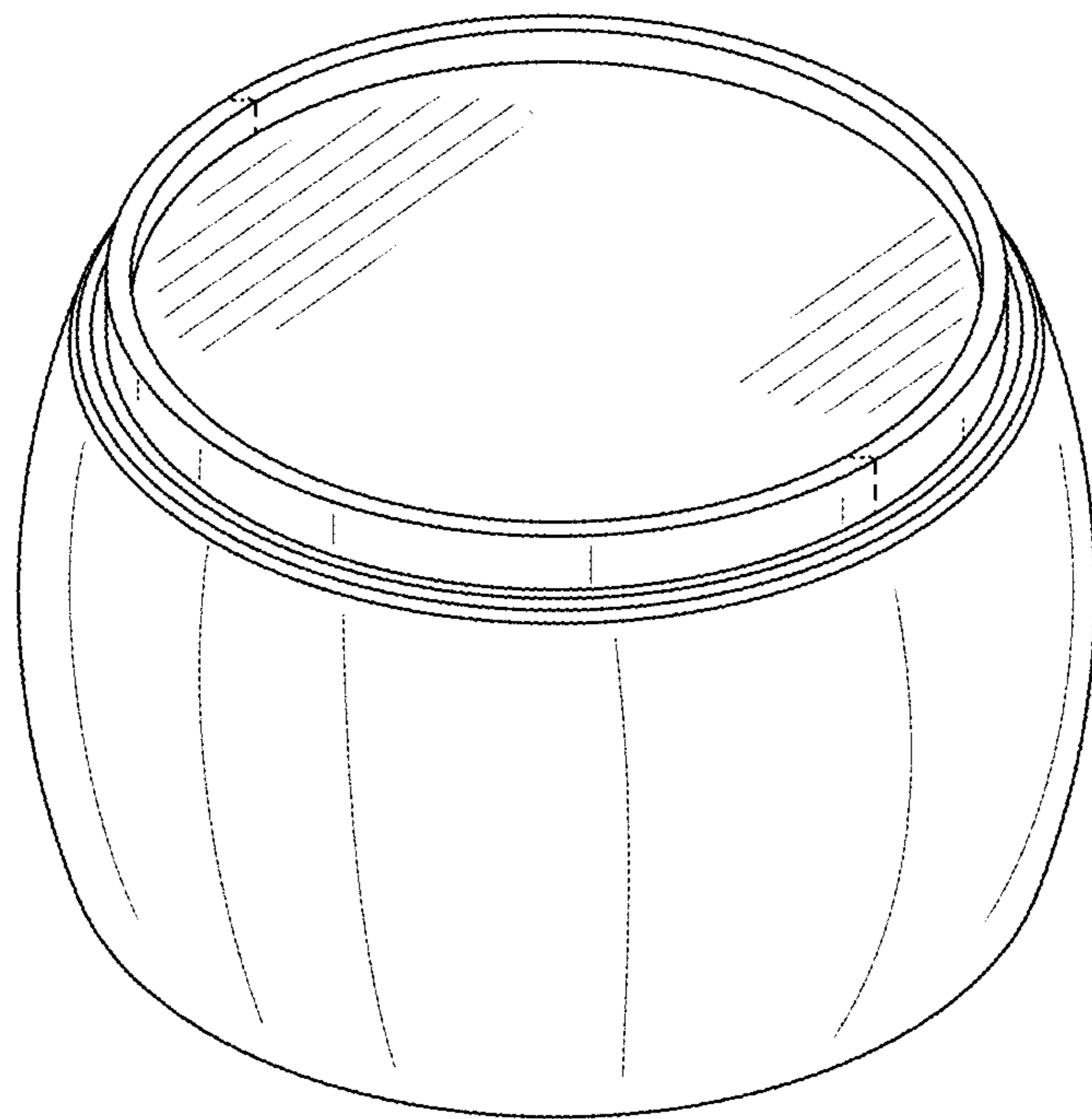


Fig. 5

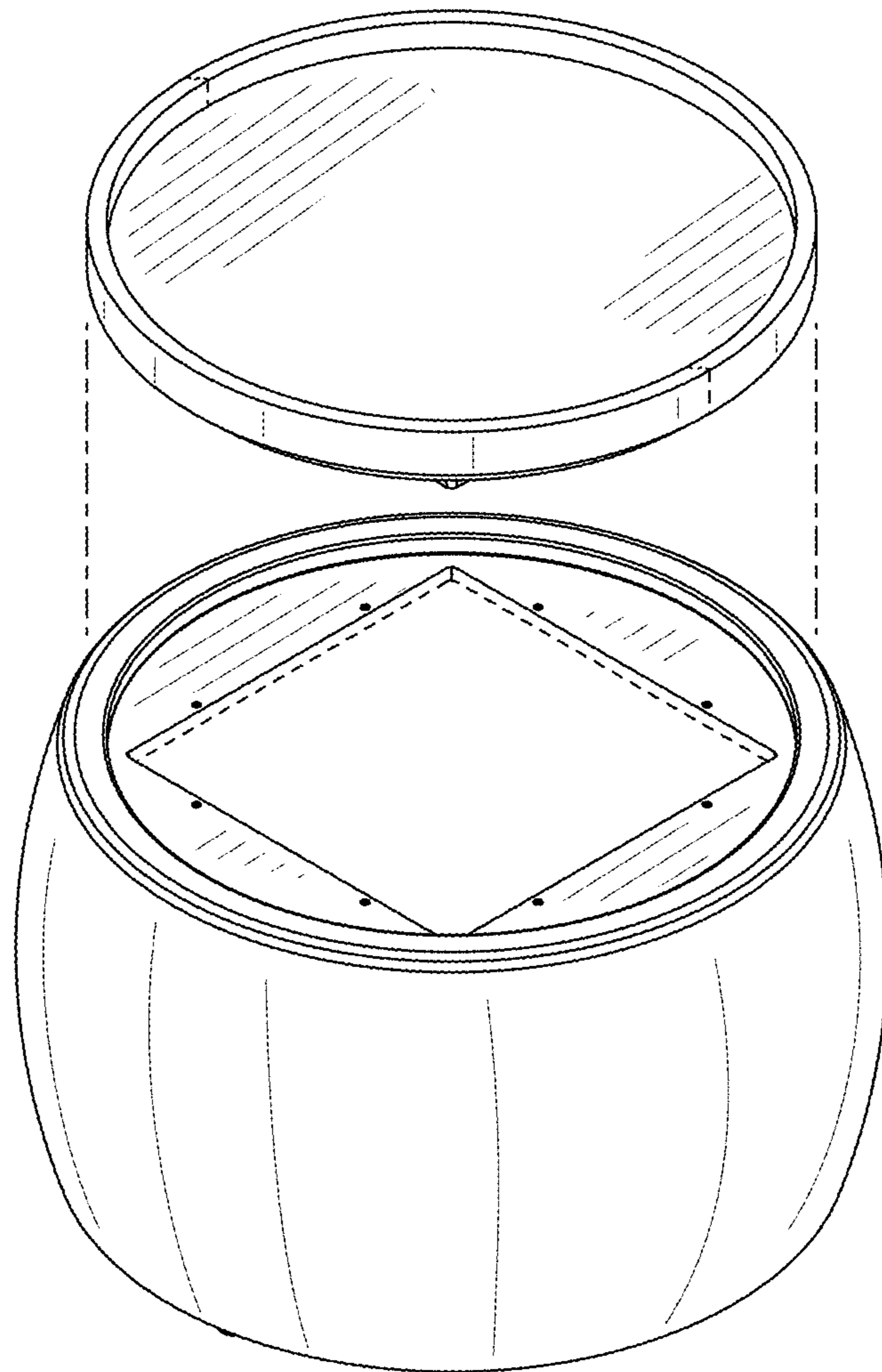


Fig. 6

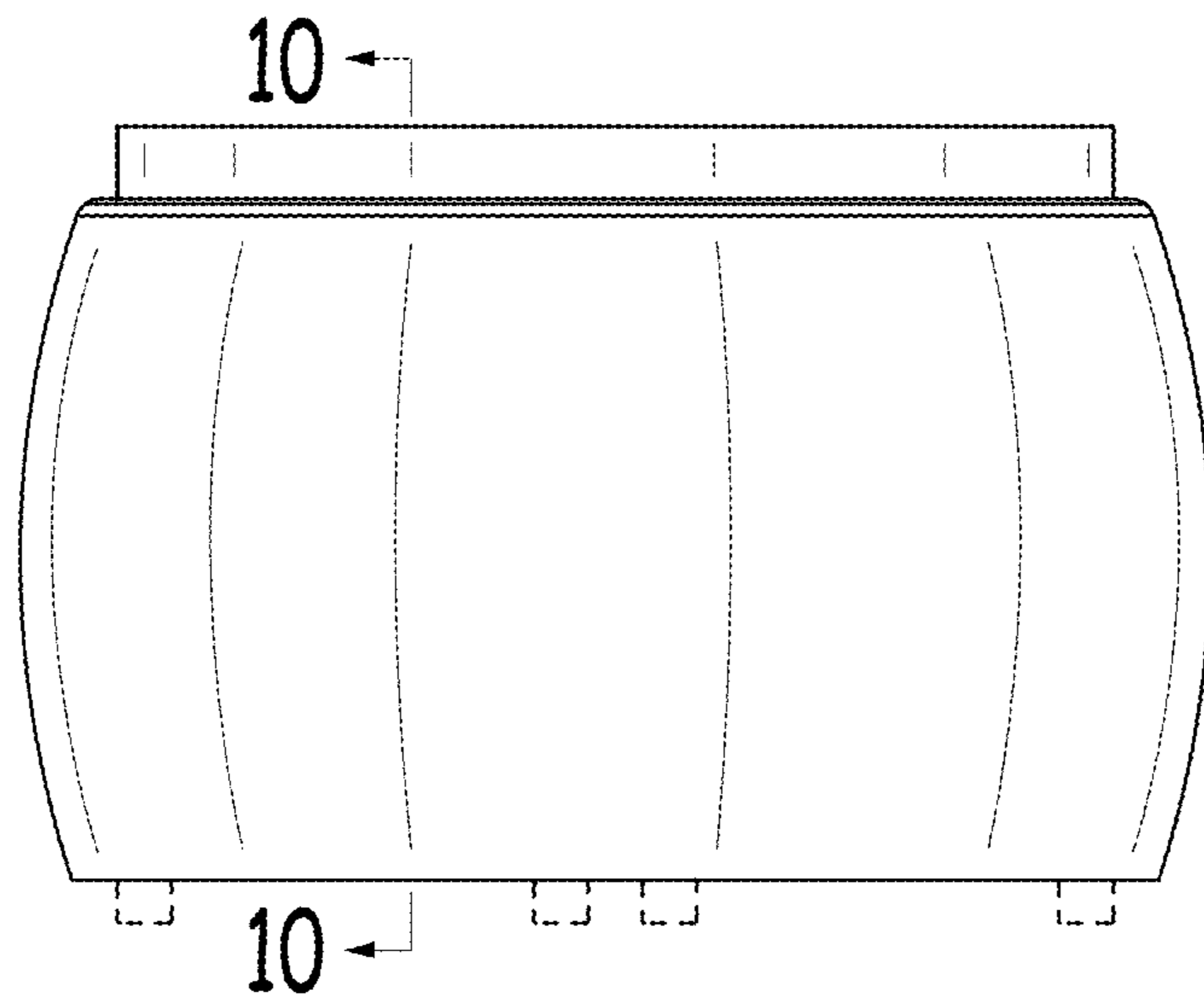


Fig. 7

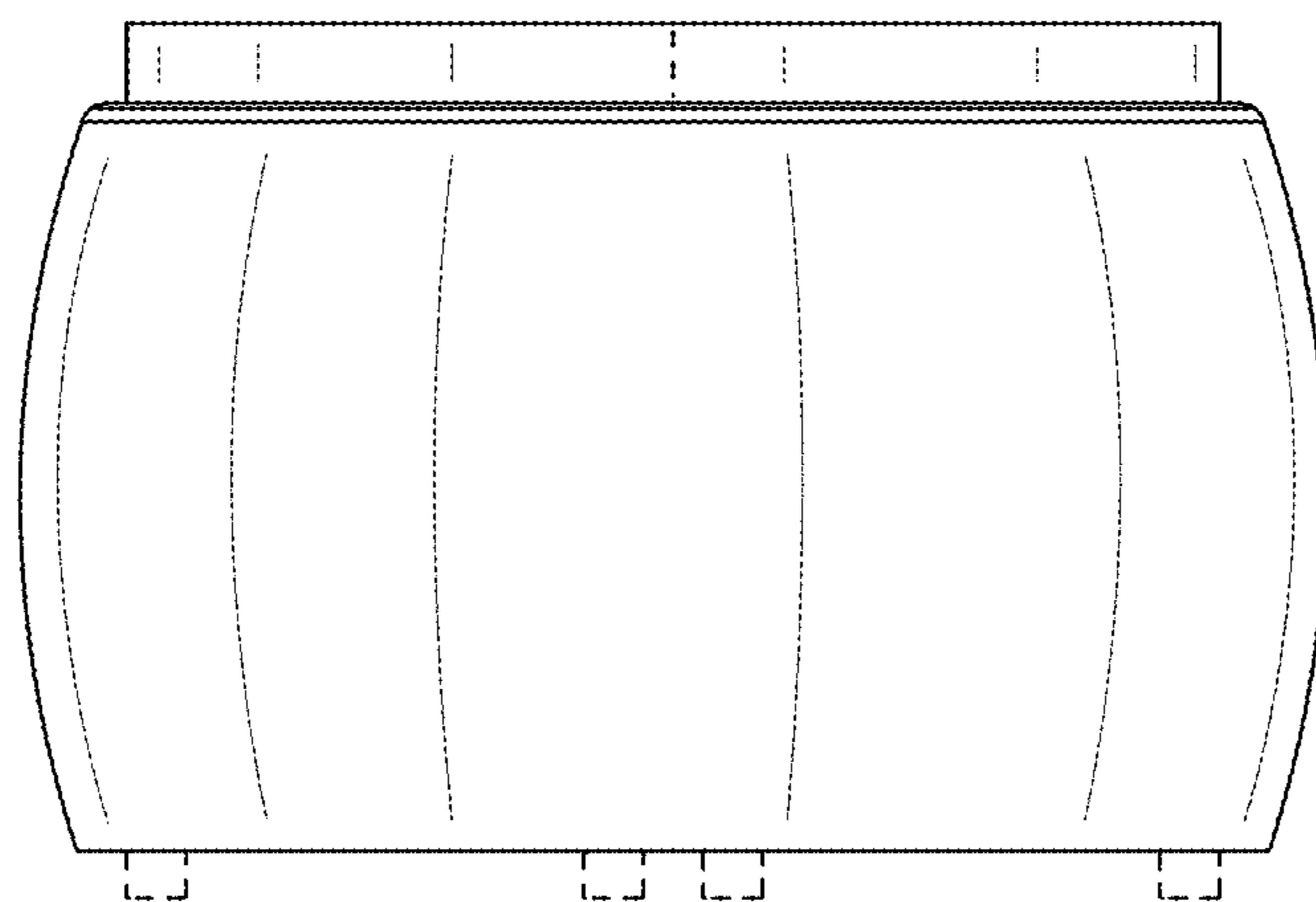


Fig. 8

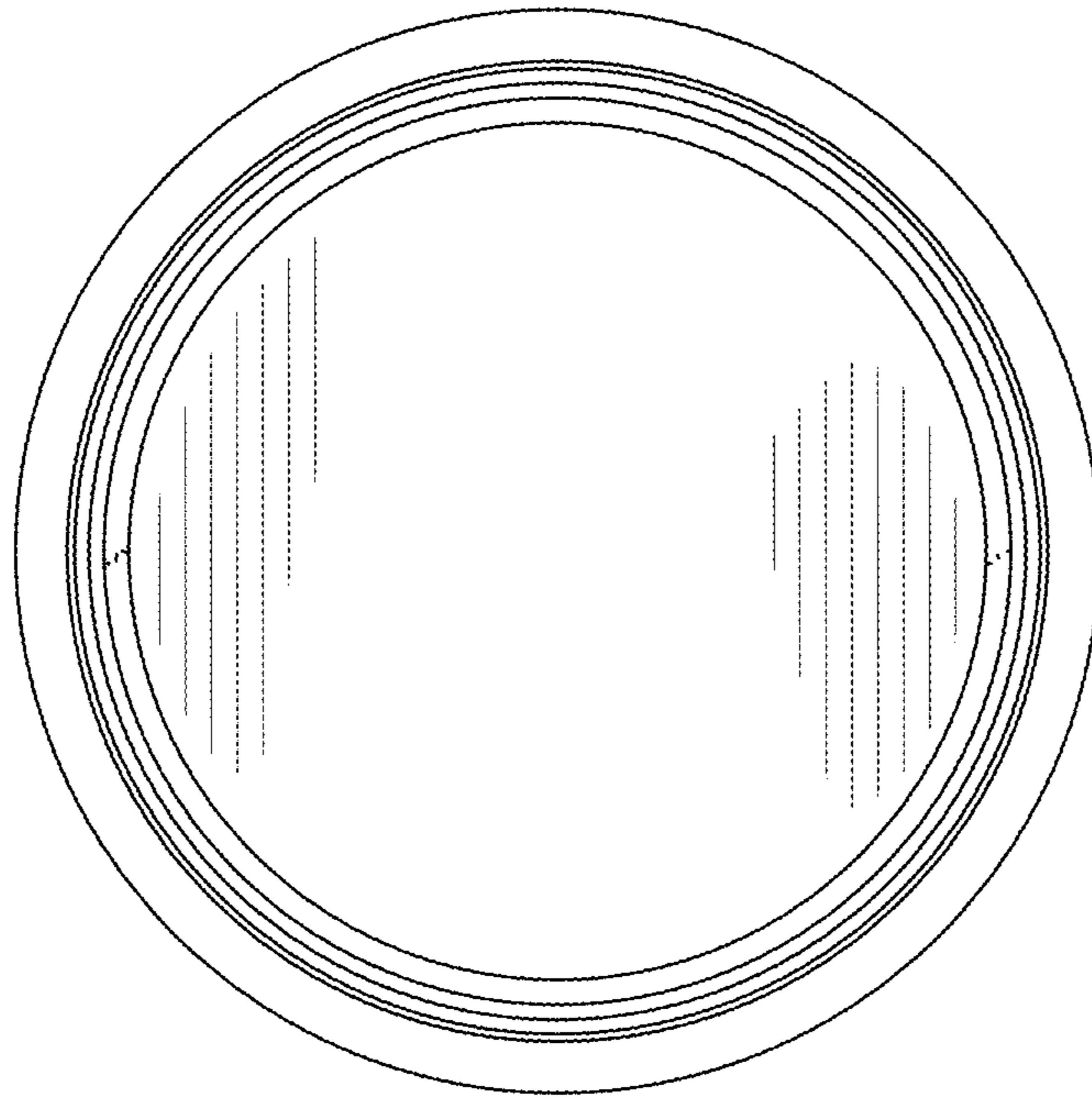


Fig. 9

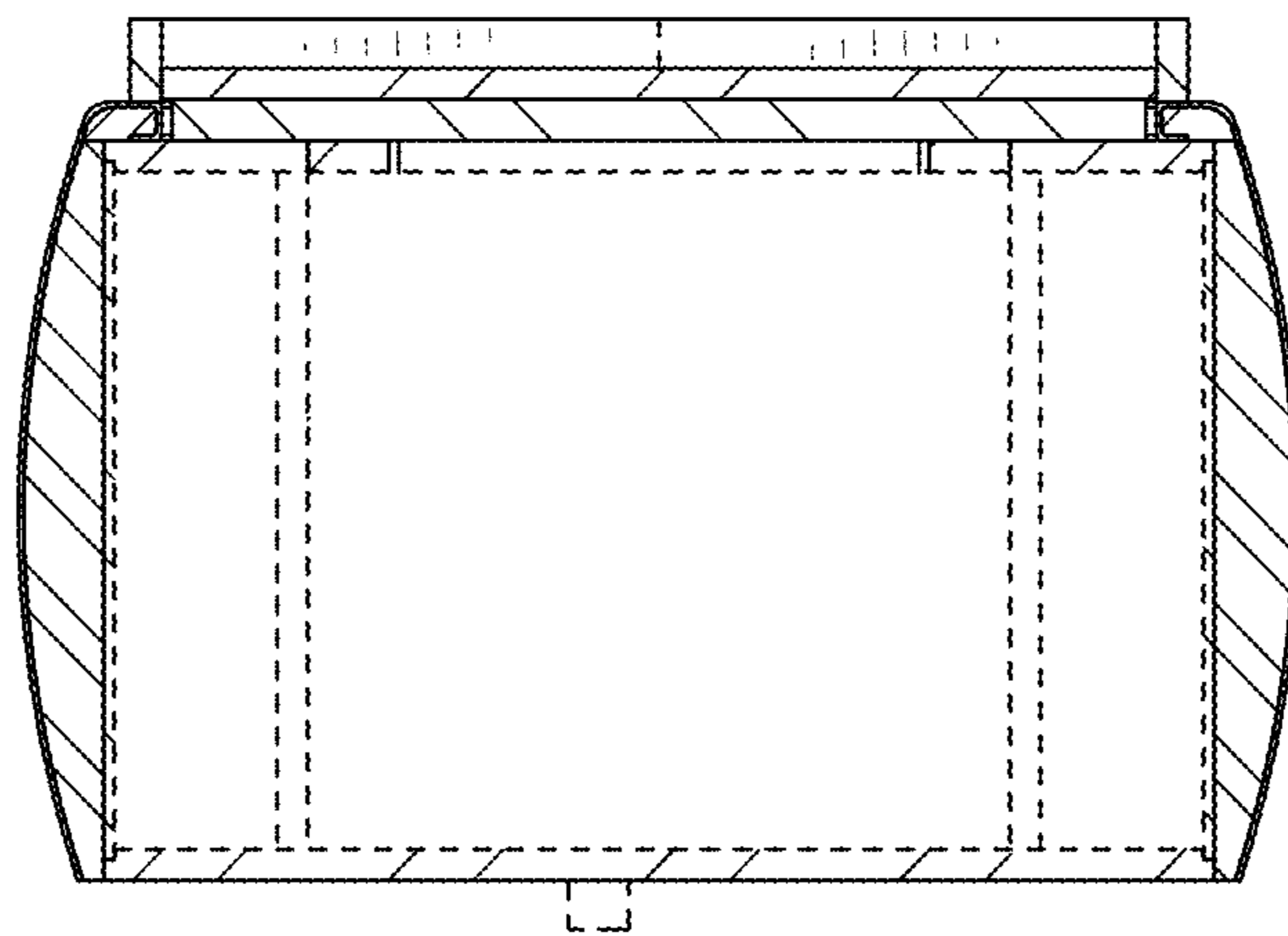


Fig. 10