



US00D865387S

(12) **United States Design Patent** (10) **Patent No.:** **US D865,387 S**
Handler et al. (45) **Date of Patent:** **** Nov. 5, 2019**

(54) **STOOL**

D151,984 S 12/1948 Guertin
D156,463 S 12/1949 Rita
3,312,437 A 4/1967 Barth
(Continued)

(71) Applicant: **Art Design Works LLC**, Lexington, MA (US)

(72) Inventors: **Sheryl Handler**, Cambridge, MA (US); **Kelly Louise Casilio**, West Newton, MA (US); **Nadine M. Volicer**, Boston, MA (US); **Carl Martinez**, Easton, PA (US)

(73) Assignee: **Art Design Works LLC**, Lexington, MA (US)

(**) Term: **15 Years**

(21) Appl. No.: **29/660,619**

(22) Filed: **Aug. 22, 2018**

Related U.S. Application Data

(60) Division of application No. 29/575,033, filed on Aug. 22, 2016, now Pat. No. Des. 829,014, which is a continuation of application No. 29/502,595, filed on Sep. 17, 2014, now abandoned.

(51) **LOC (12) Cl.** **06-01**

(52) **U.S. Cl.**
USPC **D6/352; D6/692.3**

(58) **Field of Classification Search**
USPC D6/334-338, 340-343, 349-353, 355, D6/364-366, 596, 601, 604, 691-691.9, D6/692-692.6, 716-716.1; D25/65
CPC A47B 7/00-02; A47C 11/00; A47C 12/00; A47C 16/02-04; A47C 9/00-105
See application file for complete search history.

(56) **References Cited**

U.S. PATENT DOCUMENTS

D93,968 S 12/1934 Brower
D127,494 S 5/1941 Wesling

OTHER PUBLICATIONS

[No Author Listed] Product Listing for Holland Bar Stool. GoToWebStore.com. <http://gotowebstore.com/422PT36RBGA1>, 4 pages [Published Mar. 2, 2017; last accessed Aug. 14, 2017].
(Continued)

Primary Examiner — Vy N Koenig
(74) *Attorney, Agent, or Firm* — Wolf, Greenfield & Sacks, P.C.

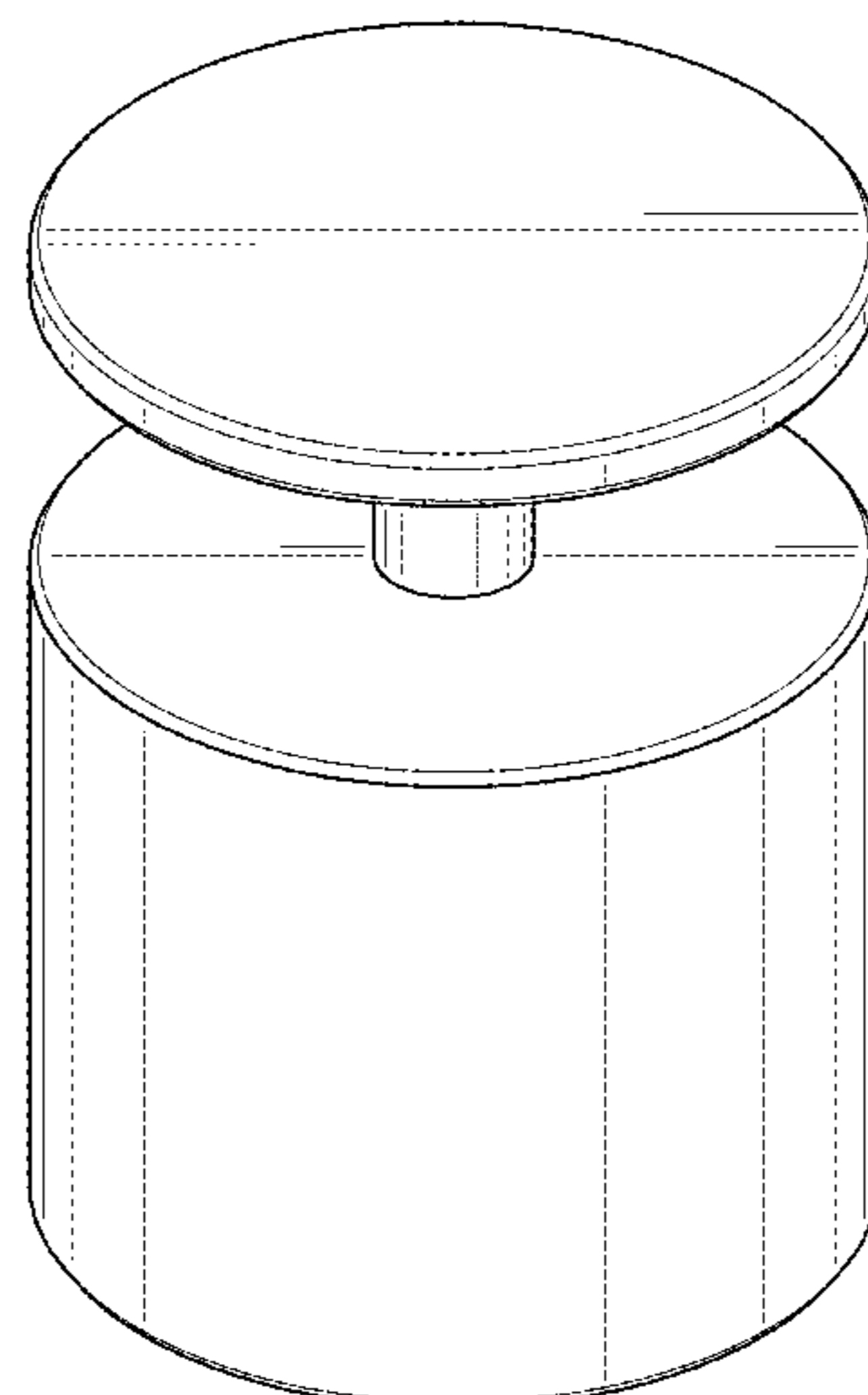
(57) **CLAIM**

The ornamental design for a stool, as shown and described.

DESCRIPTION

FIG. 1 is a top, front, perspective view of a stool showing a first embodiment of our new design;
FIG. 2 is a left side elevation view thereof;
FIG. 3 is a right side elevation view thereof;
FIG. 4 is a front elevation view thereof;
FIG. 5 is a rear elevation view thereof;
FIG. 6 is a top plan view thereof;
FIG. 7 is a bottom plan view thereof;
FIG. 8 is a top, front, perspective view showing a second embodiment thereof;
FIG. 9 is a left side elevation view of FIG. 8;
FIG. 10 is a right side elevation view of FIG. 8;
FIG. 11 is a front elevation view of FIG. 8;
FIG. 12 is a rear elevation view of FIG. 8;
FIG. 13 is a top plan view of FIG. 8; and,
FIG. 14 is a bottom plan view of FIG. 8.
The dashed broken lines of the figures represent portions of the stool that form no part of the claimed design. The dash-dot broken lines define boundaries of the claimed design, and form no part of the claimed design.

1 Claim, 12 Drawing Sheets



(56)

References Cited

U.S. PATENT DOCUMENTS

3,536,359 A 10/1970 Amos
3,756,169 A * 9/1973 Dybvig A47B 7/00
108/150
D234,477 S 3/1975 Lockhardt et al.
D235,472 S 6/1975 Geisler
D237,564 S 11/1975 Laylon
D275,155 S 8/1984 Carlin
D280,580 S 9/1985 Appel et al.
D283,856 S 5/1986 Elmaleh
D292,250 S 10/1987 Finkelstein
4,740,034 A 4/1988 Snyder et al.
4,929,021 A 5/1990 Kaye
D313,896 S 1/1991 Kaye
D333,056 S 2/1993 Kaye
5,425,313 A 6/1995 Rowan
5,893,604 A 4/1999 Fang
D442,073 S 5/2001 Lyndon
D450,496 S 11/2001 Schwartz et al.
6,467,843 B1 10/2002 Rossborough
D523,251 S 6/2006 Parpala
D530,109 S 10/2006 Barrett
D625,039 S 10/2010 Citterio
D653,059 S 1/2012 Birch
D664,779 S 8/2012 Weber et al.
D668,464 S 10/2012 Du
D683,975 S 6/2013 Starck

D686,829 S 7/2013 Elmaleh
D708,541 S 7/2014 Norendzayan
D720,143 S 12/2014 Barber et al.
D721,526 S 1/2015 Bosman
D745,287 S 12/2015 Chadwick et al.
D746,073 S 12/2015 Elmaleh
D746,622 S * 1/2016 O'Brien D21/823
D748,924 S 2/2016 Walser
D764,196 S 8/2016 Handler et al.
D764,200 S 8/2016 Elmaleh
D779,706 S 2/2017 Starck
D780,492 S 3/2017 Terada
D780,982 S 3/2017 Starck
D790,748 S 6/2017 Starck
D801,064 S * 10/2017 Von Boetticher D6/352
D808,674 S 1/2018 Handler et al.
D829,014 S * 9/2018 Handler D6/352
D833,190 S * 11/2018 Handler D6/692.3
D833,191 S * 11/2018 Handler D6/692.3
D839,010 S * 1/2019 Anastassiades D6/349
2010/0117261 A1 5/2010 Bidwell et al.

OTHER PUBLICATIONS

[No Author Listed] Product Listing for Modern Adjustable 360 Swivel Counter. Bonanza.com, 18 pages [Last accessed Aug. 14, 2017].

* cited by examiner

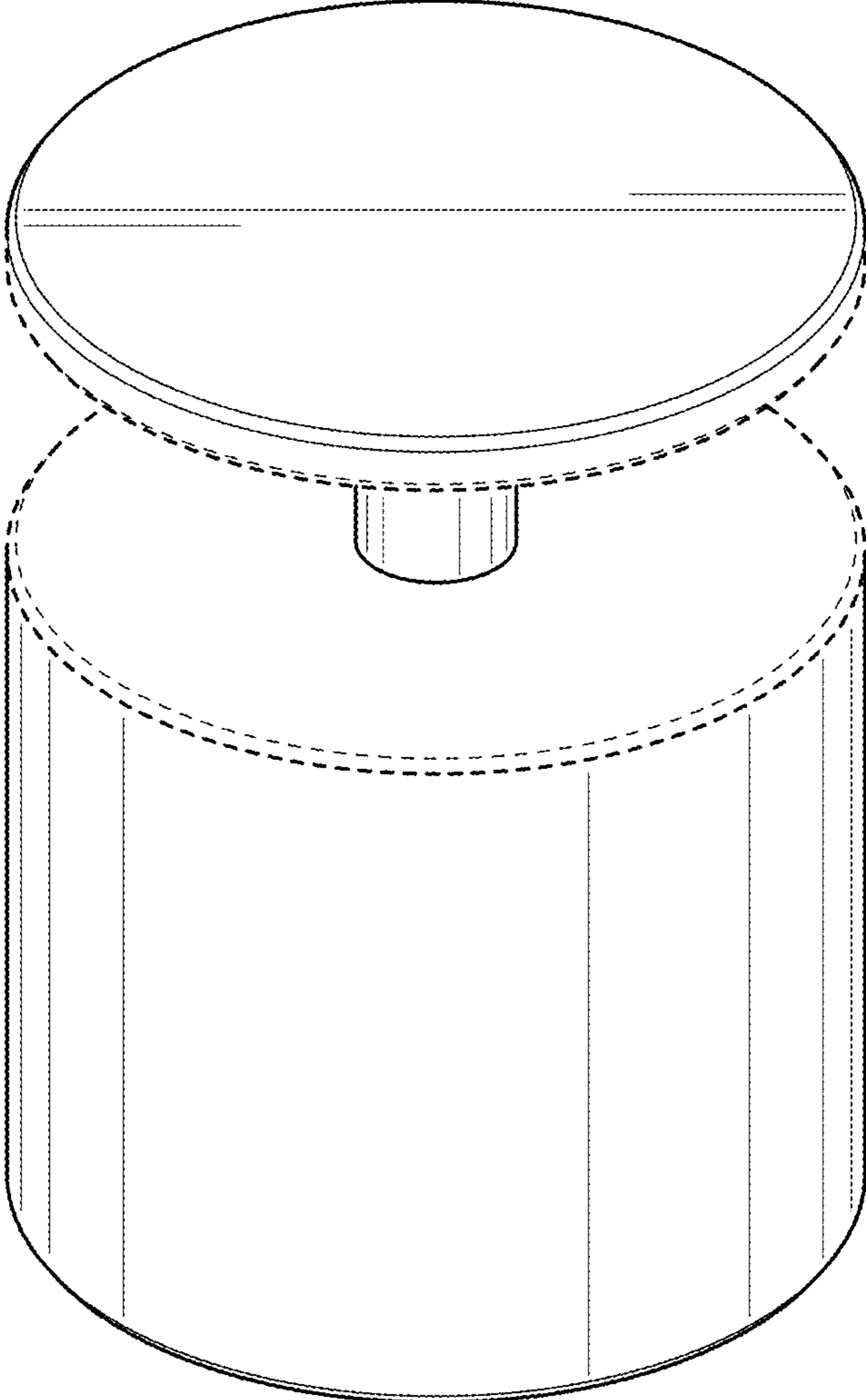


FIG. 1

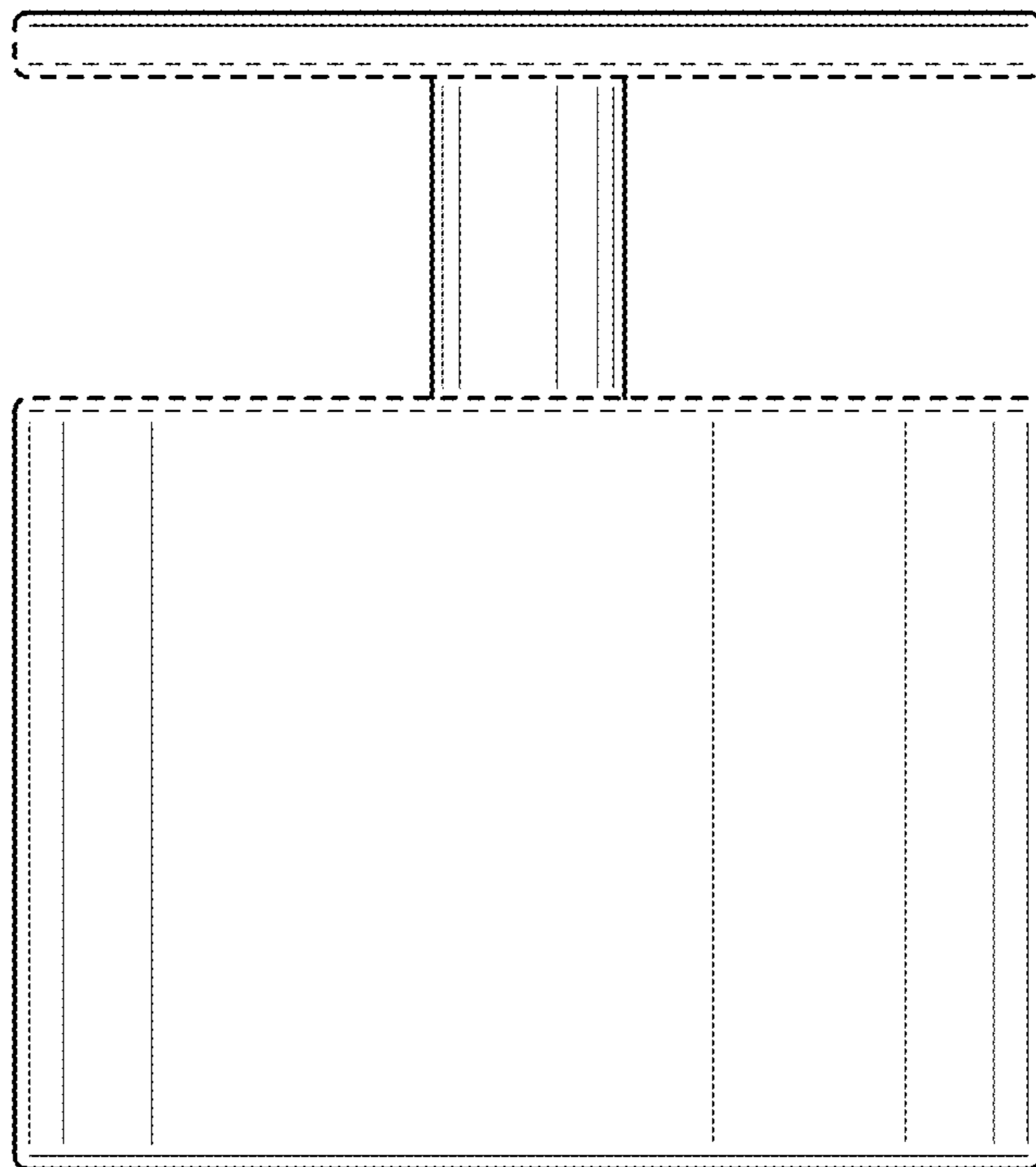


FIG. 2

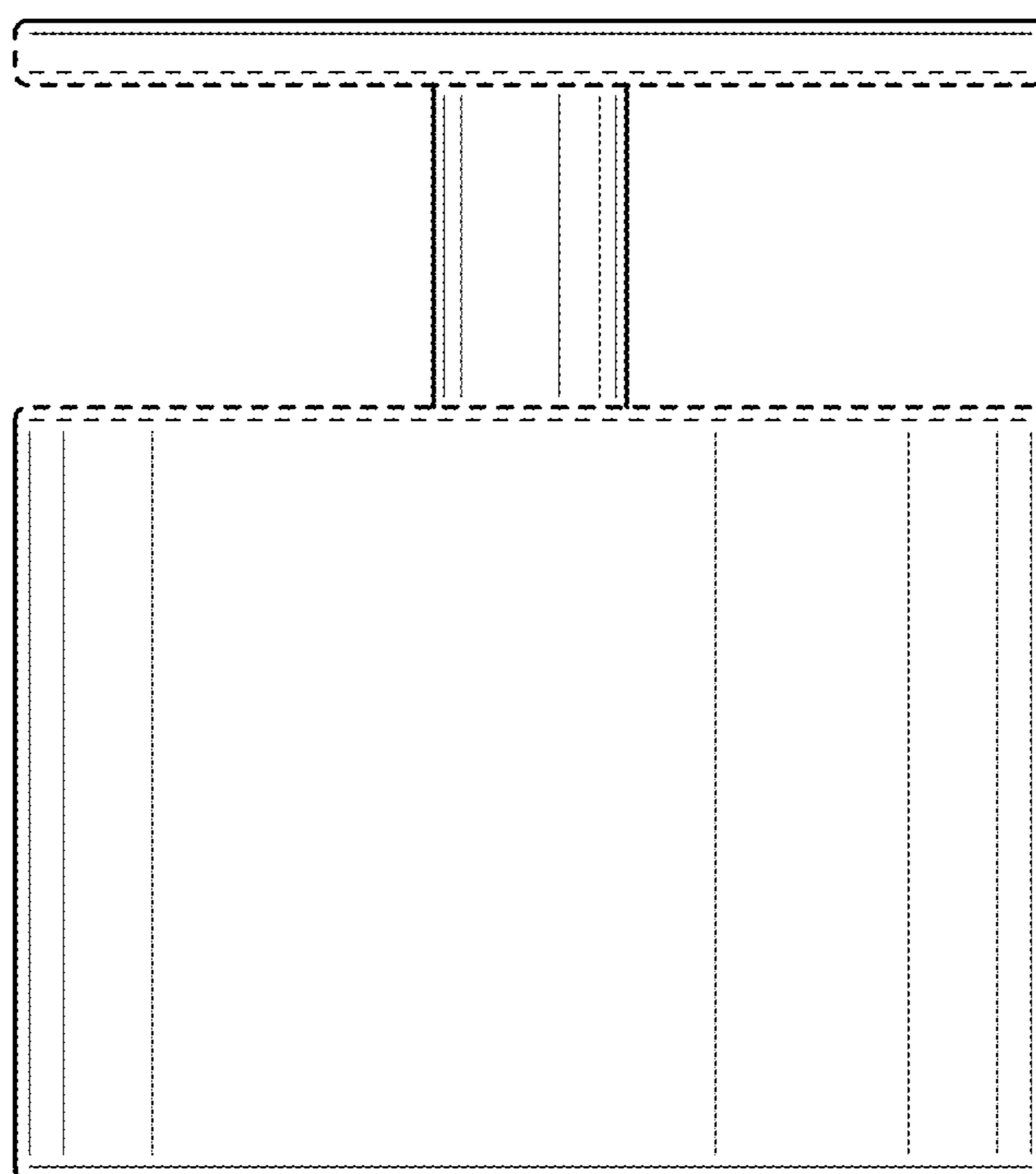


FIG. 3

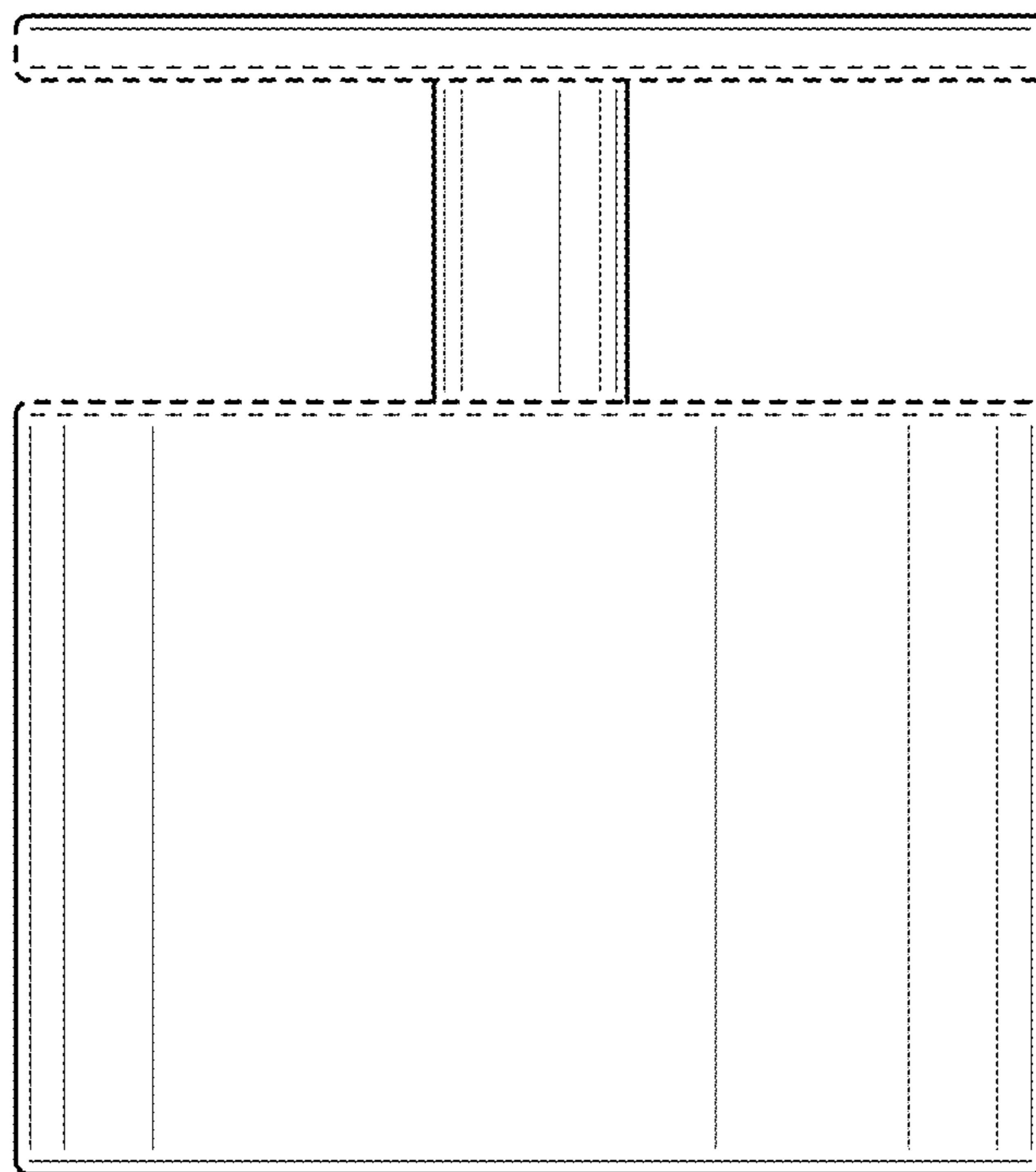


FIG. 4

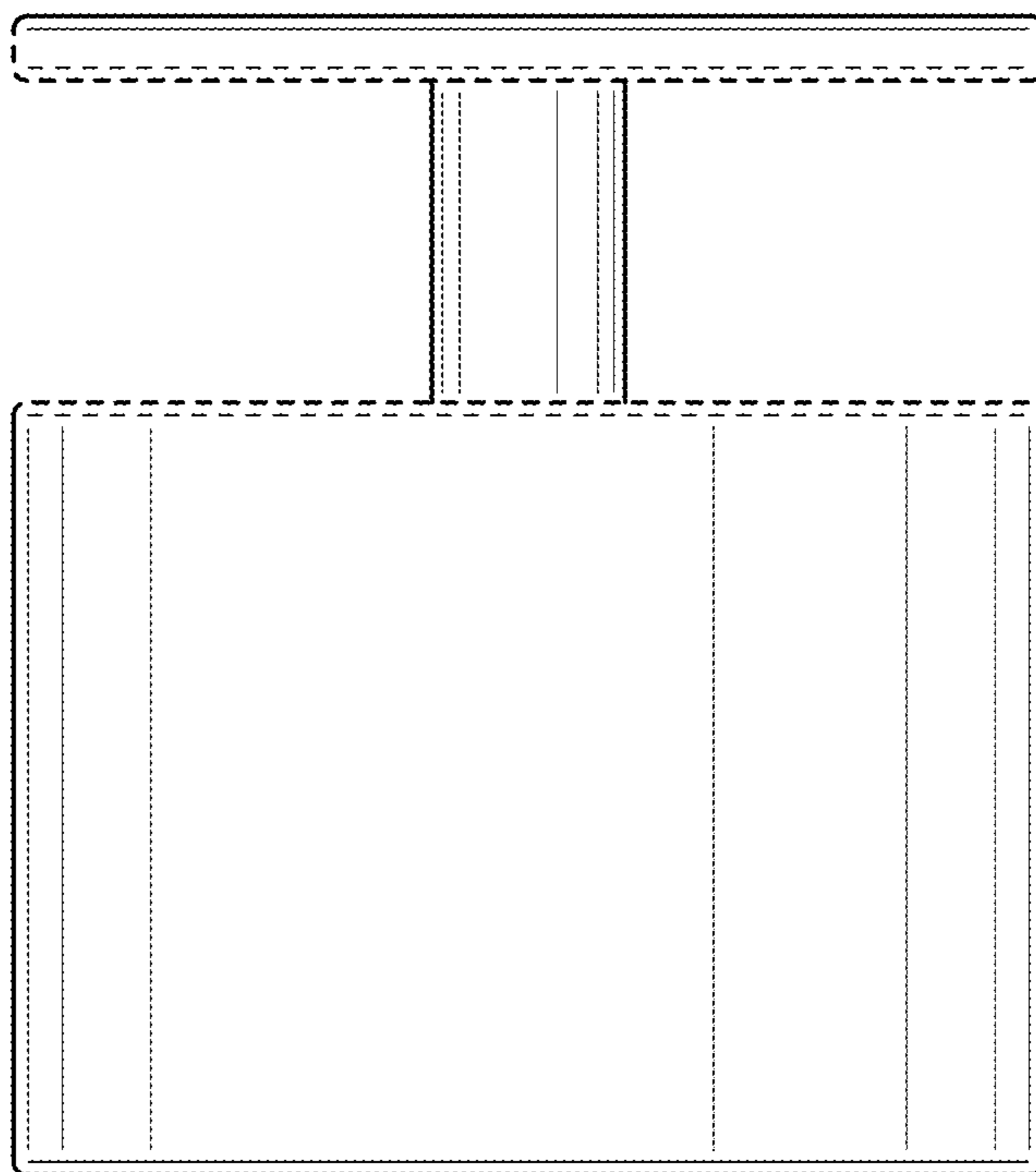


FIG. 5

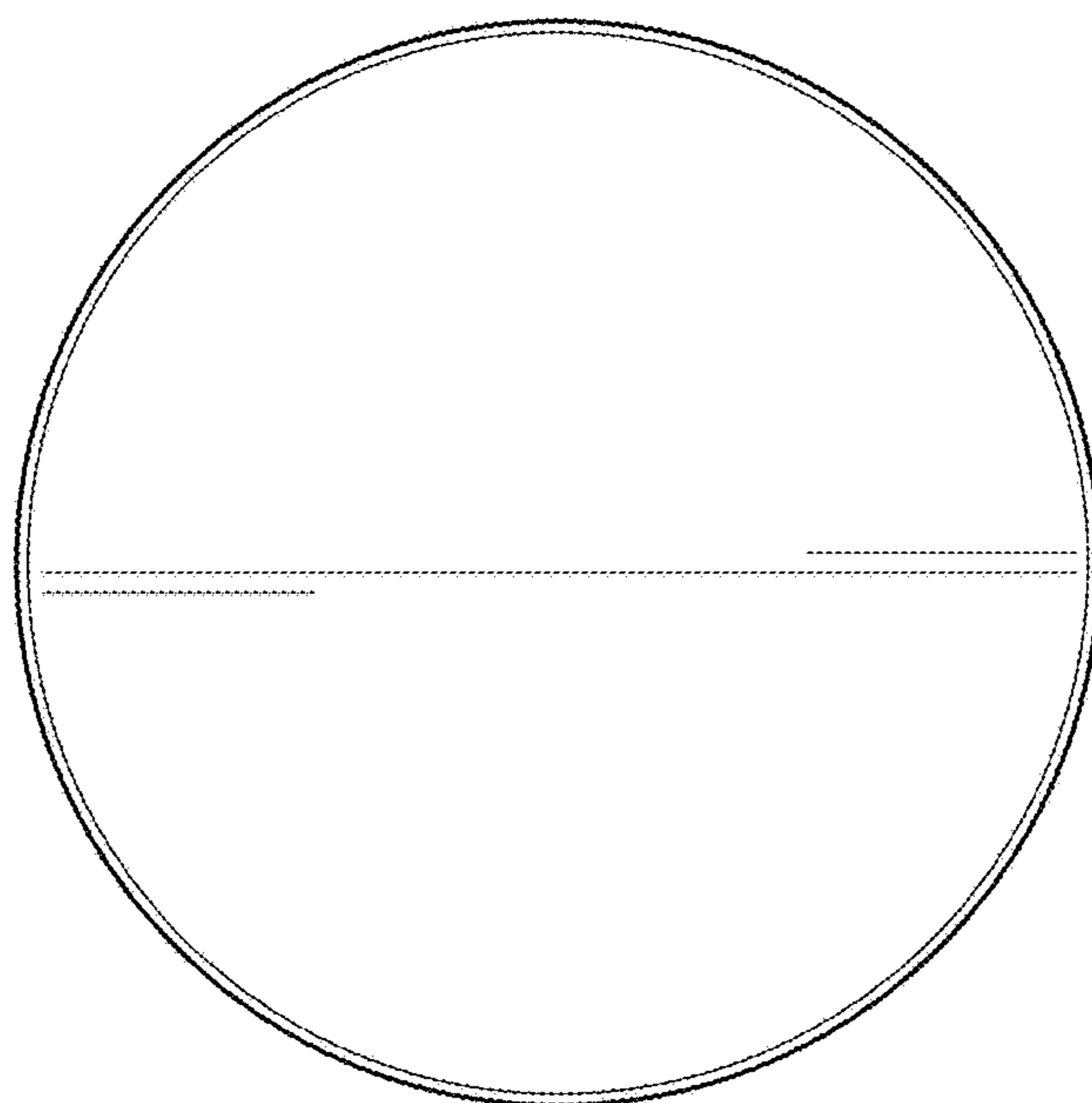


FIG. 6

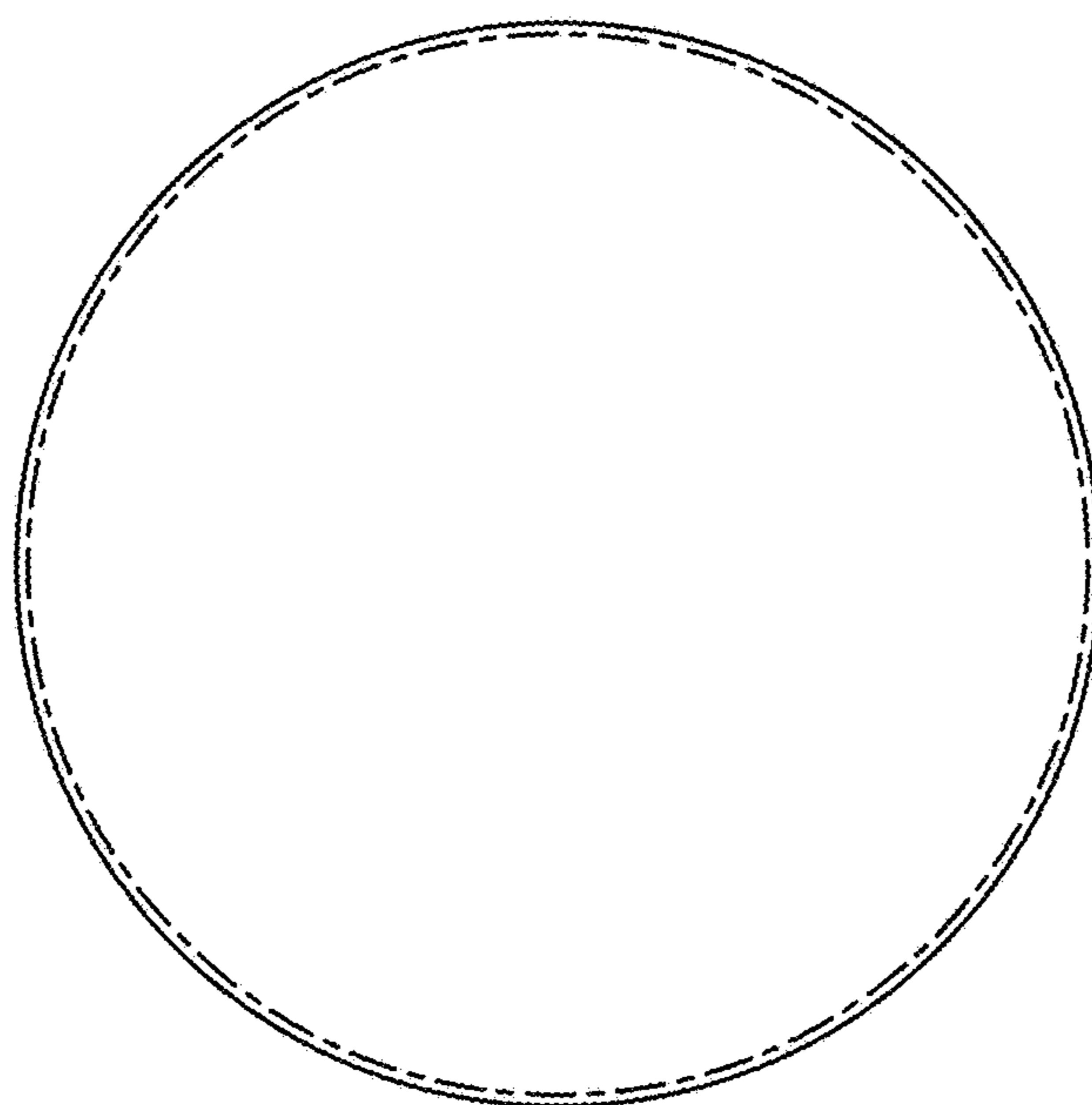


FIG. 7

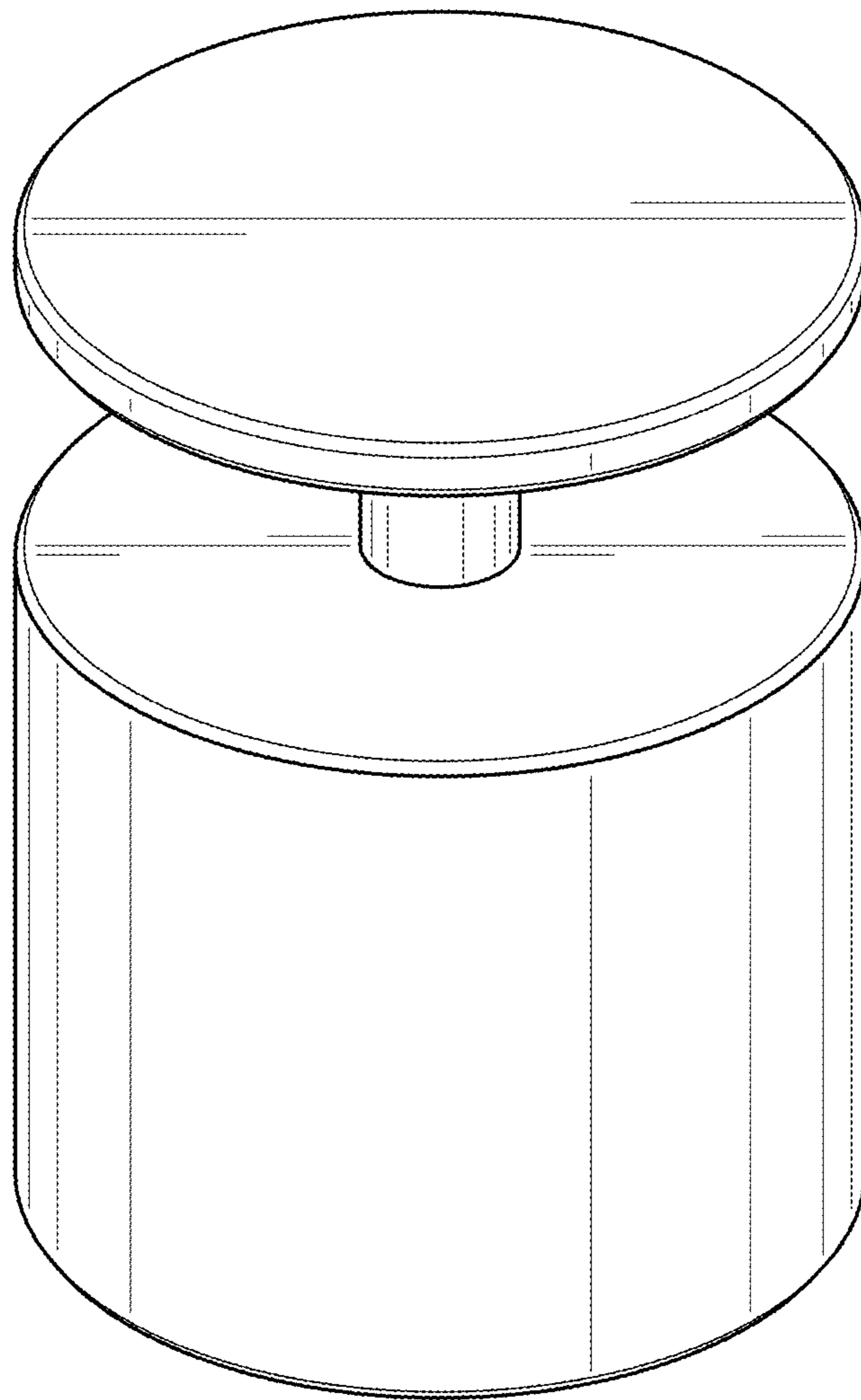


FIG. 8

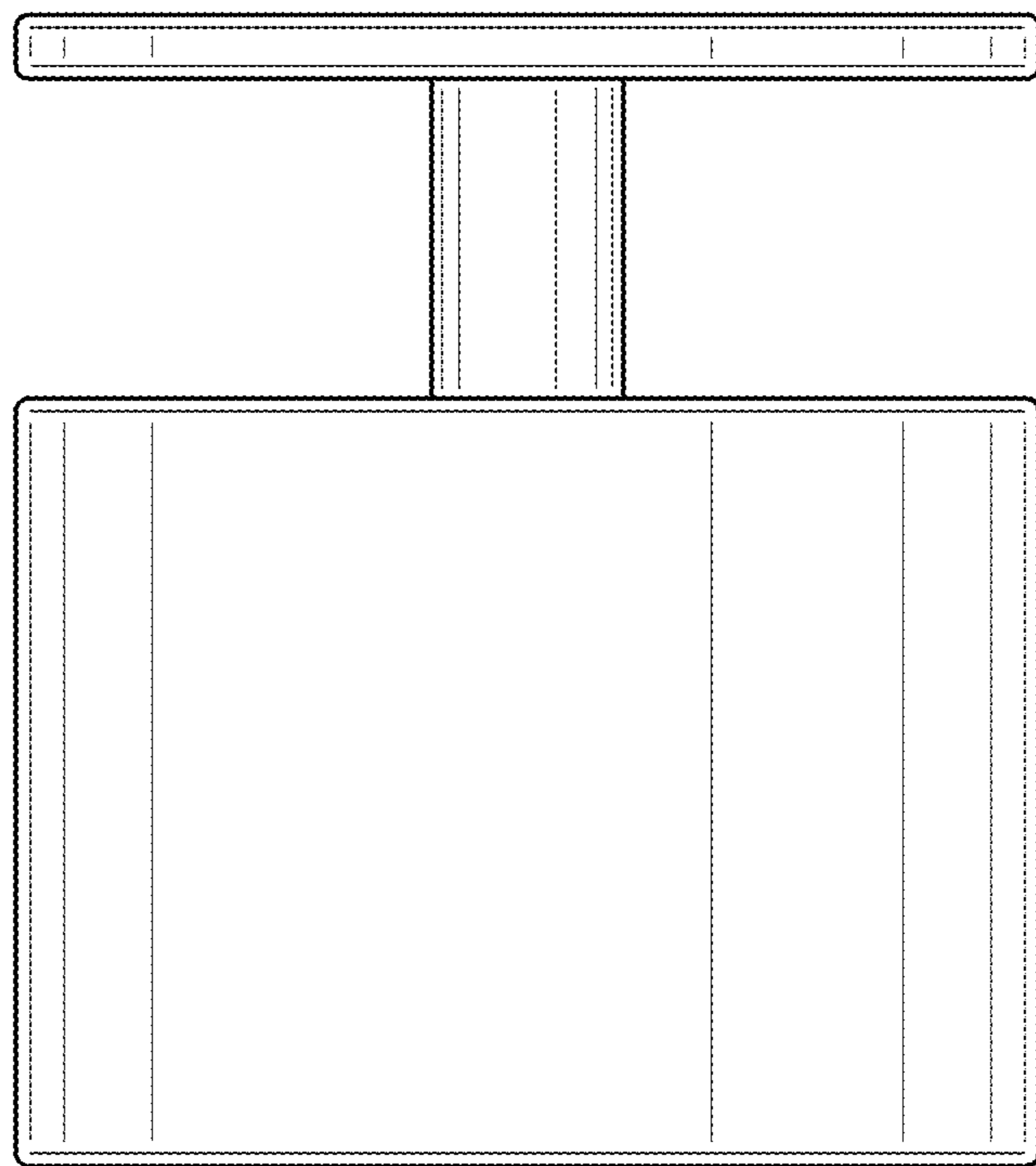


FIG. 9

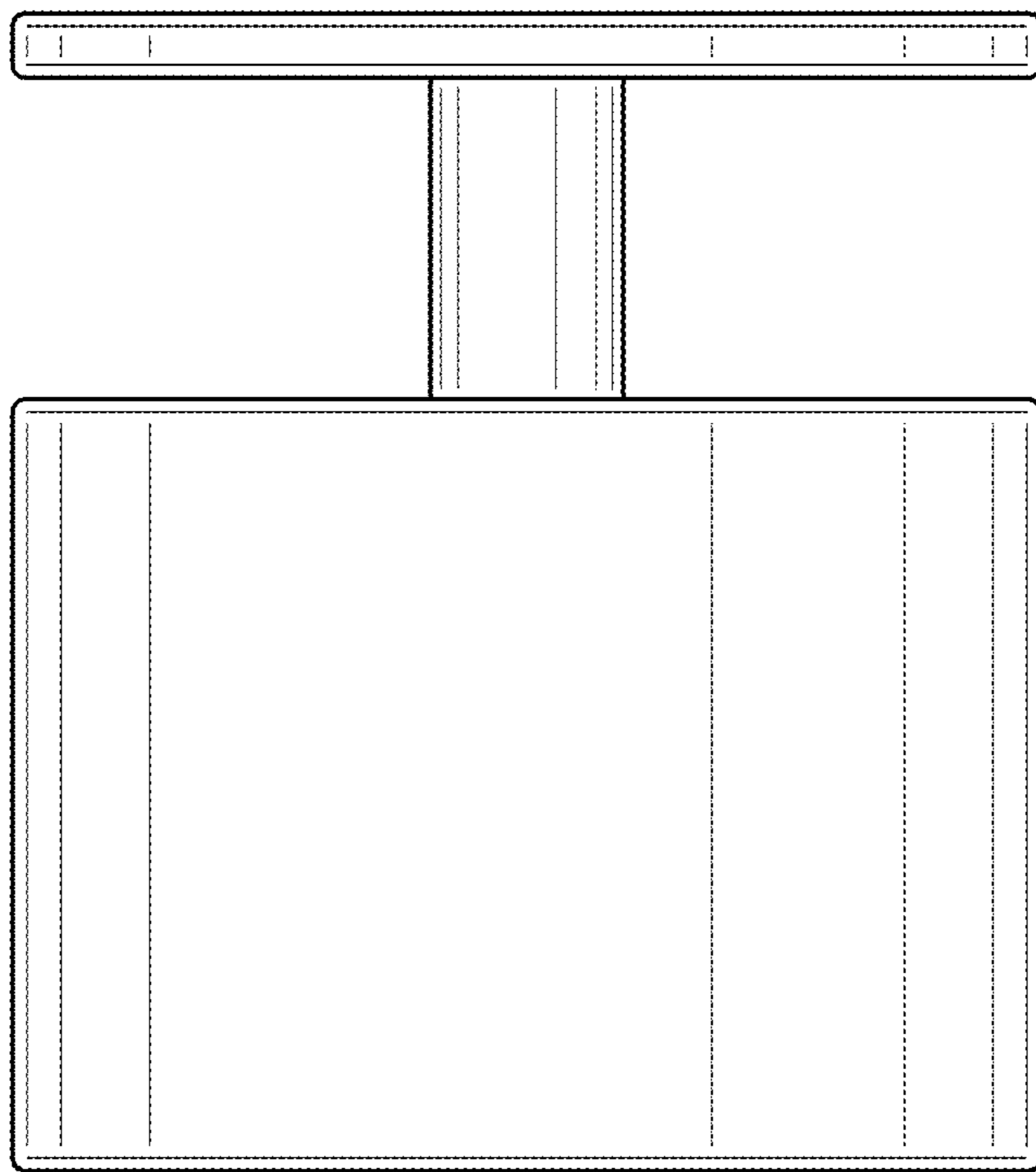


FIG. 10

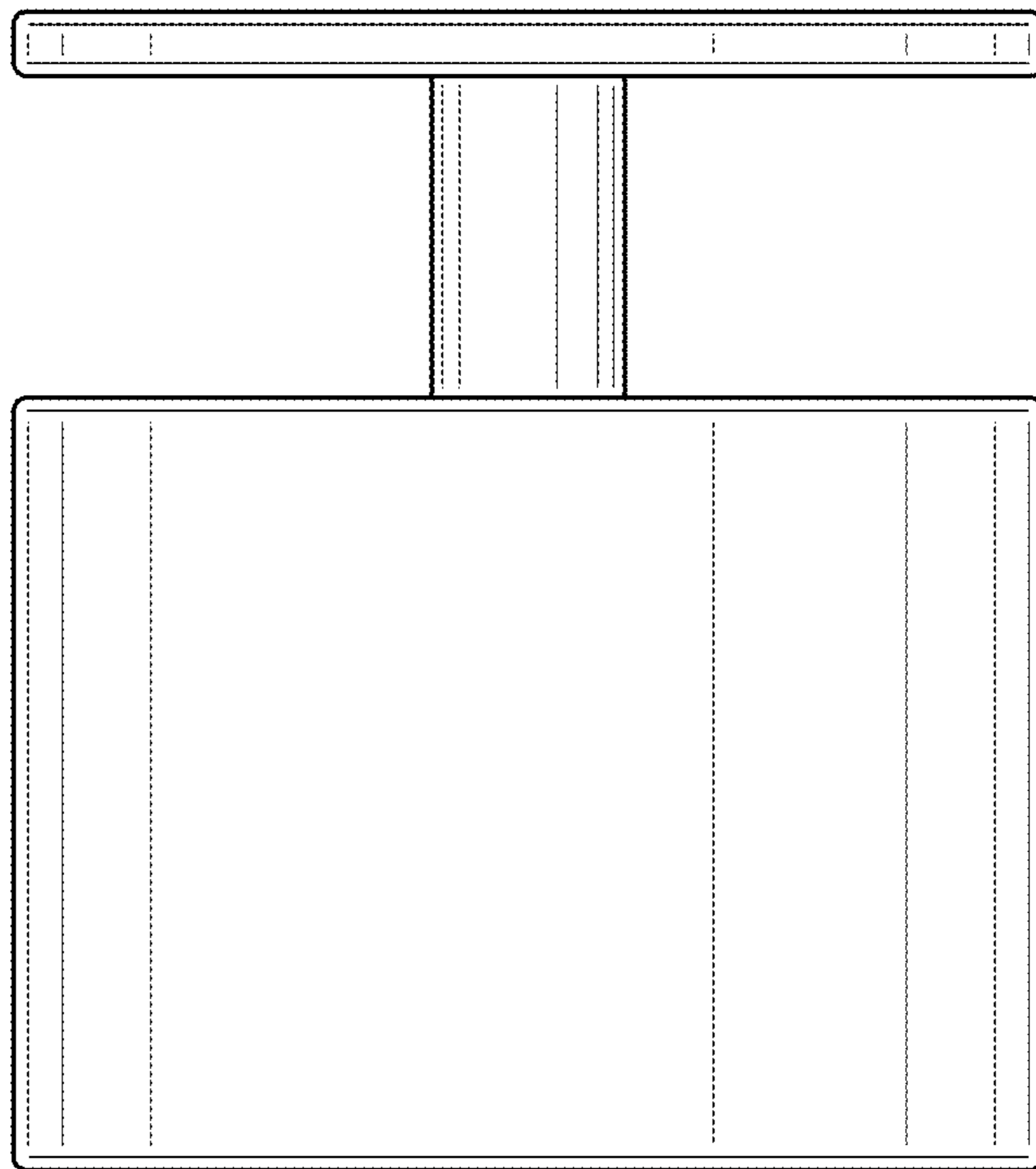


FIG. 11

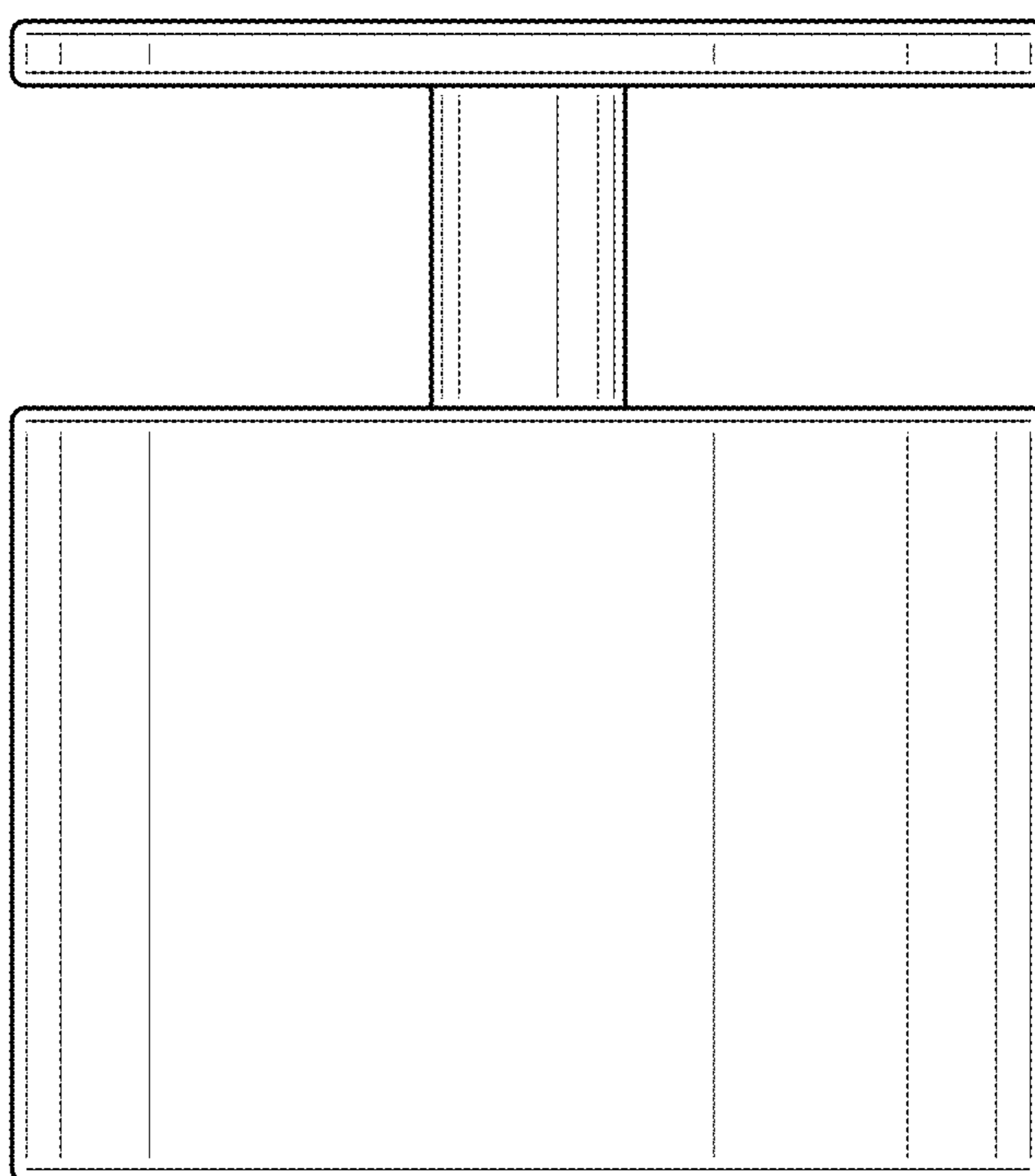


FIG. 12

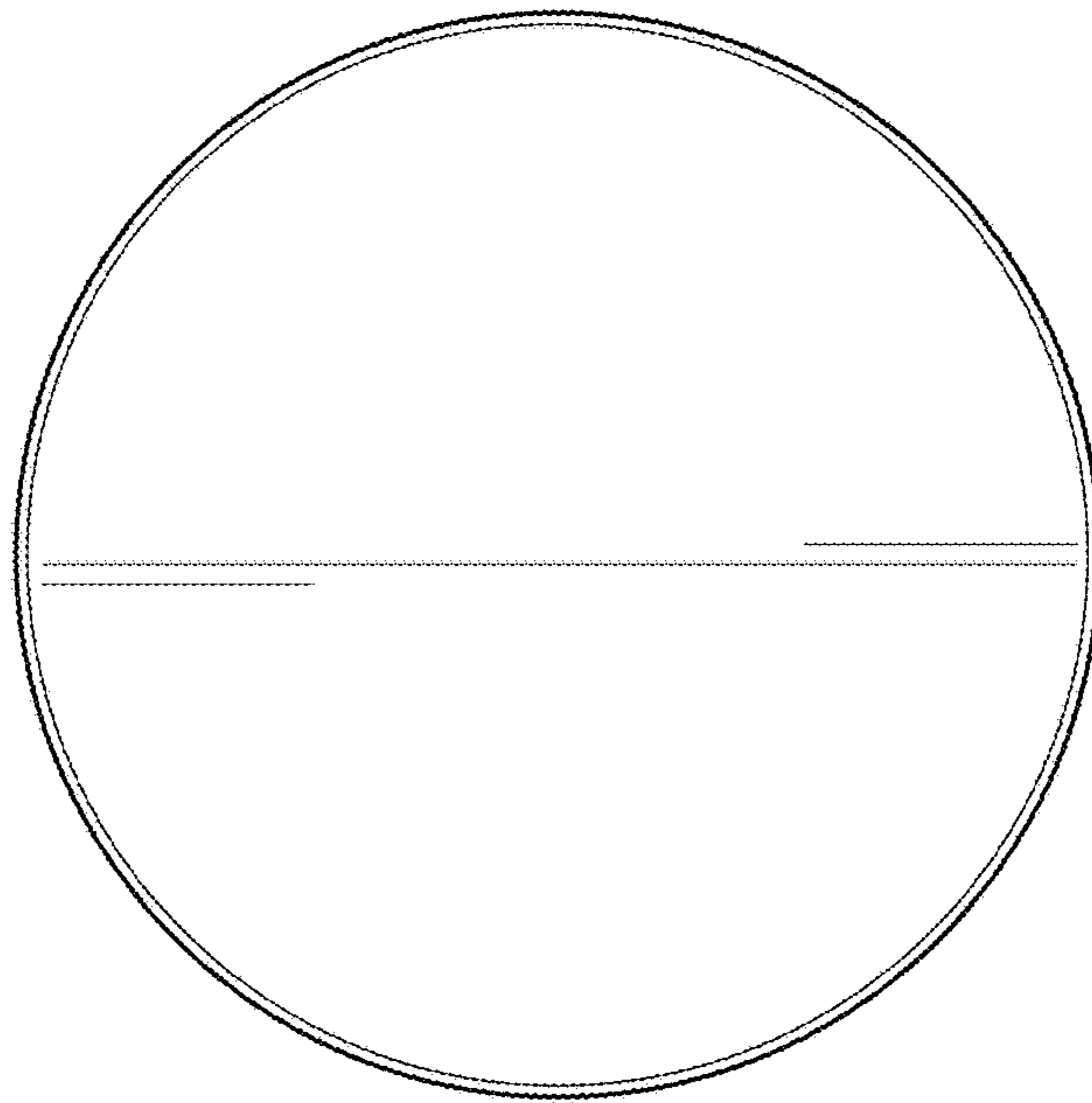


FIG. 13

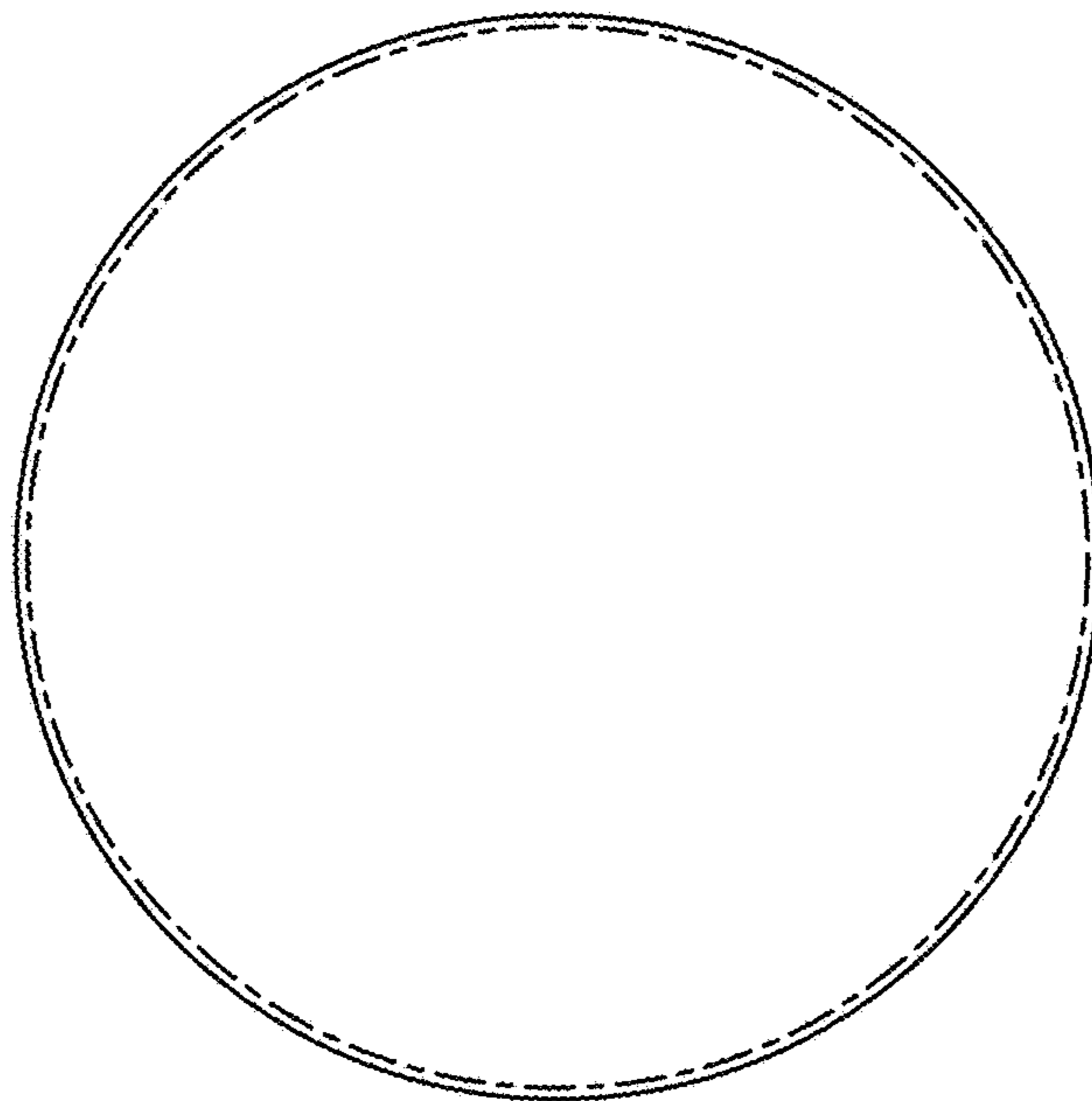


FIG. 14