



US00D865386S

(12) **United States Design Patent**
Sphikas et al.

(10) **Patent No.:** **US D865,386 S**

(45) **Date of Patent:** **** Nov. 5, 2019**

(54) **STEP STOOL**

(71) Applicant: **iLove, Inc.**, Irvine, CA (US)

(72) Inventors: **George Sphikas**, Irvine, CA (US);
Greg Bibas, Irvine, CA (US)

(73) Assignee: **ILOVE, INC.**, Irvine, CA (US)

(**) Term: **15 Years**

(21) Appl. No.: **29/668,099**

(22) Filed: **Oct. 26, 2018**

(51) **LOC (12) Cl.** **06-01**

(52) **U.S. Cl.**

USPC **D6/350**; D25/65

(58) **Field of Classification Search**

USPC D6/334, 349-353; D25/65

CPC .. A47C 12/00; A47C 16/02-04; A47K 17/02;
A47K 17/028

See application file for complete search history.

(56) **References Cited**

U.S. PATENT DOCUMENTS

D157,436 S *	2/1950	Rogers	182/106
D181,793 S *	12/1957	Hansen	297/129
D194,399 S *	1/1963	De Muth et al.	D25/63
D198,679 S *	7/1964	Cartner	D25/65
D307,800 S *	5/1990	Hradisky	D25/65
D320,702 S *	10/1991	Dewing	D6/349
5,094,505 A	3/1992	Nichols	
D330,462 S *	10/1992	Szablak	D6/350
D335,966 S *	6/1993	Schwartzkopf	D6/349
D354,210 S	1/1995	Dickinson et al.	
D383,261 S *	9/1997	Karsten	119/705
D429,038 S *	8/2000	Forester	D30/119
D443,072 S *	5/2001	Schultz	D25/65
D550,374 S *	9/2007	Genova	E04H 4/144
			D25/63
D606,768 S *	12/2009	Tu	D6/350

D623,808 S *	9/2010	Weber	D30/199
8,037,649 B2	10/2011	Jakubowski et al.	
D649,371 S *	11/2011	Wilcox	D6/350

(Continued)

FOREIGN PATENT DOCUMENTS

CN	201854942 U	6/2011
CN	204169406 U	2/2015

(Continued)

OTHER PUBLICATIONS

2 Step Stool for Kids (2 Pack) Toddler Stool for Toilet Potty Training.[online] Earliest review date: Nov. 8, 2016. Retrieved Nov. 30, 2018 from URL: <https://www.amazon.com/Toddler-Training-Resistant-Bathroom-iLove/dp/B072WFPSDK>.*

(Continued)

Primary Examiner — Vy N Koenig

(74) *Attorney, Agent, or Firm* — Karish & Bjorgum, PC

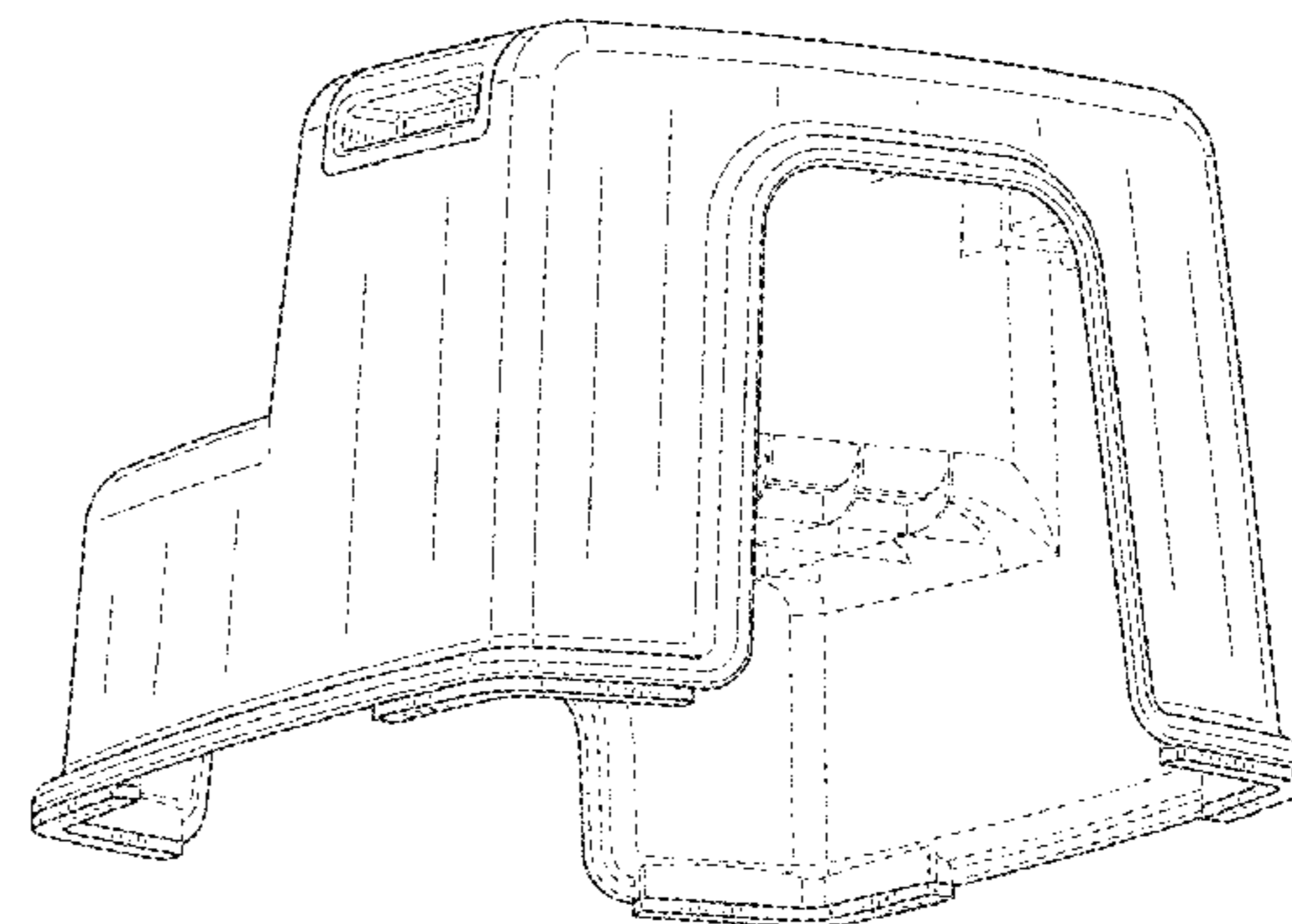
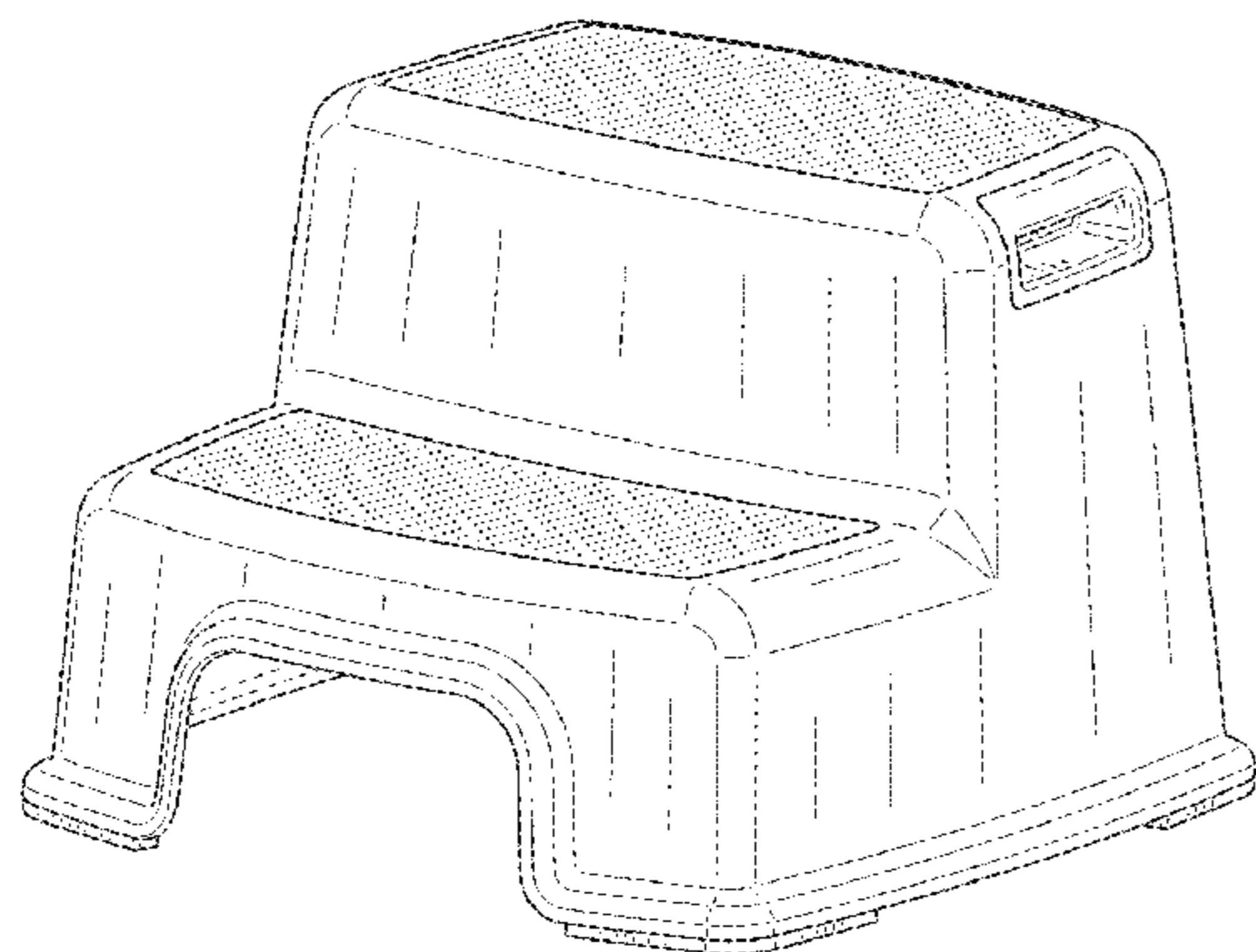
(57) **CLAIM**

The ornamental design for a step stool, as shown and described.

DESCRIPTION

FIG. 1 is top front right perspective view showing a step stool of the invention.
FIG. 2 is bottom rear right perspective view showing the step stool of FIG. 1.
FIG. 3 is a front view showing the step stool of FIG. 1.
FIG. 4 is a rear view showing the step stool of FIG. 1.
FIG. 5 is a top view showing the step stool of FIG. 1.
FIG. 6 is a right side view showing the step stool of FIG. 1.
FIG. 7 is left side view showing the step stool of FIG. 1; and, FIG. 8 is bottom showing the step stool of FIG. 1.
The broken lines in the drawings depict portions of the step stool that form no part of the claimed design.

1 Claim, 4 Drawing Sheets



(56)

References Cited

U.S. PATENT DOCUMENTS

D653,043 S * 1/2012 Rumley D6/338
 D705,554 S * 5/2014 Edwards D6/349
 8,925,682 B2 * 1/2015 Chitayat A47C 12/00
 182/152
 D742,079 S * 10/2015 Jakubowski D30/199
 D789,107 S * 6/2017 Thibault D25/65

FOREIGN PATENT DOCUMENTS

KR 101754024 B1 7/2017
 TW M317206 8/2007

OTHER PUBLICATIONS

Dual Height 2 Step Stool (Mom's Choice Award Winner) with Anti-Slip Safety Rubber Pads Kids Step Stool with Easy & Safe Potty Training & Teeth Brushing. [online] Earliest review date: Oct. 5, 2017. Retrieved Dec. 7, 2018 from URL: https://www.amazon.com/dp/B074M2TH3M/ref=sspa_dk_detail_1?pd_rd_i=B074M2TH3M&pd_rd_w=w1mDb&p.*

Wide+ 2 Step Stool for Kids | Toddler Stool for Toilet Potty Training | Slip Resistant Soft Grip for Safety as Bathroom Potty Stool and Kitchen Step Stool | Dual Height & Extra Wide Two Step | iLove. [online] Retrieved May 30, 2019 from URL: https://www.amazon.com/dp/B07MR5DLYZ/ref=sspa_dk_detail_2?psc=1&pd_rd_i=B07MR5.*

Dream Baby, 2-Up Step Stool—Grey & White, First Reviewed approximately 2015. <https://www.dream-baby.com/2-height-step-stoll-grey.html>.

* cited by examiner

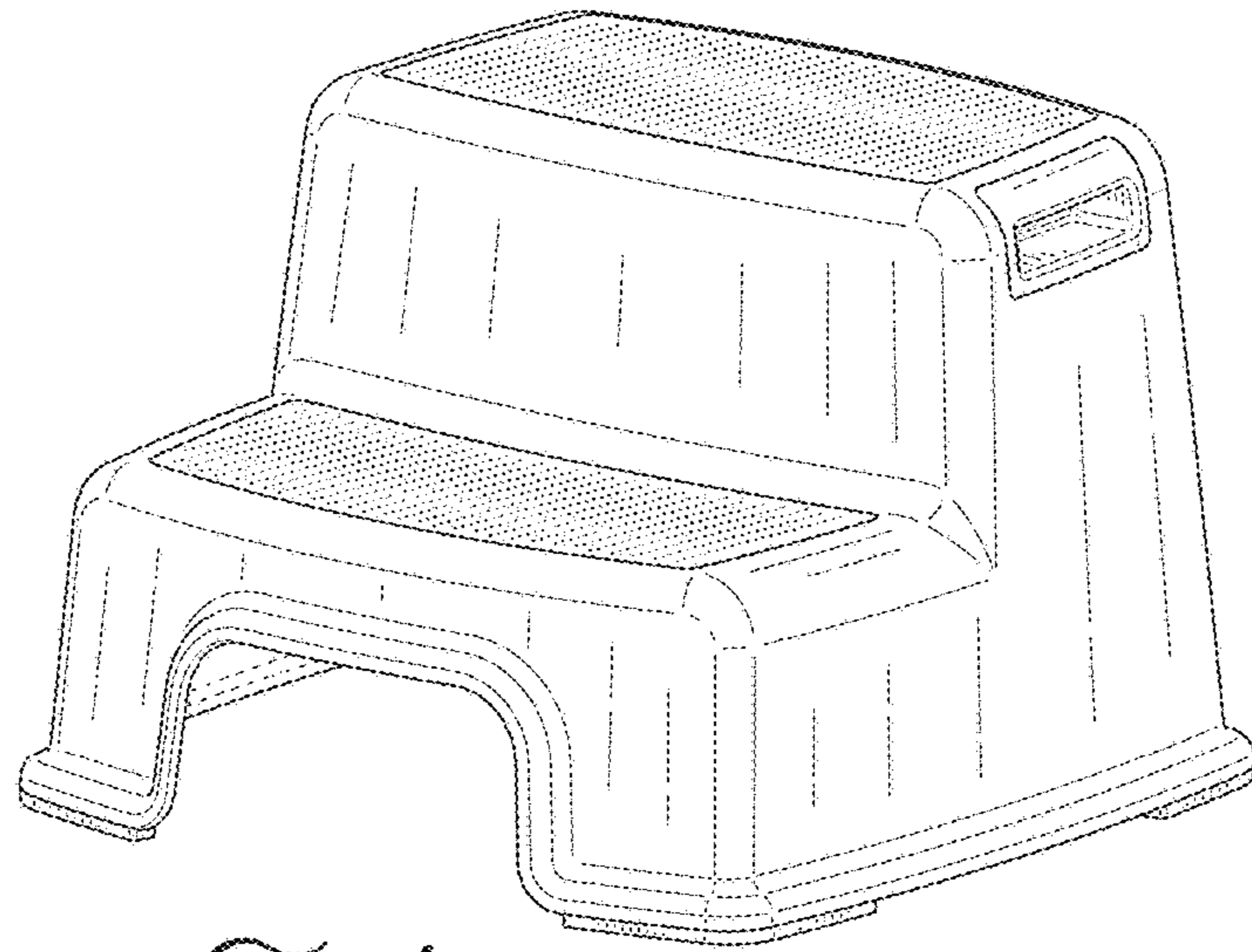


FIG. 1

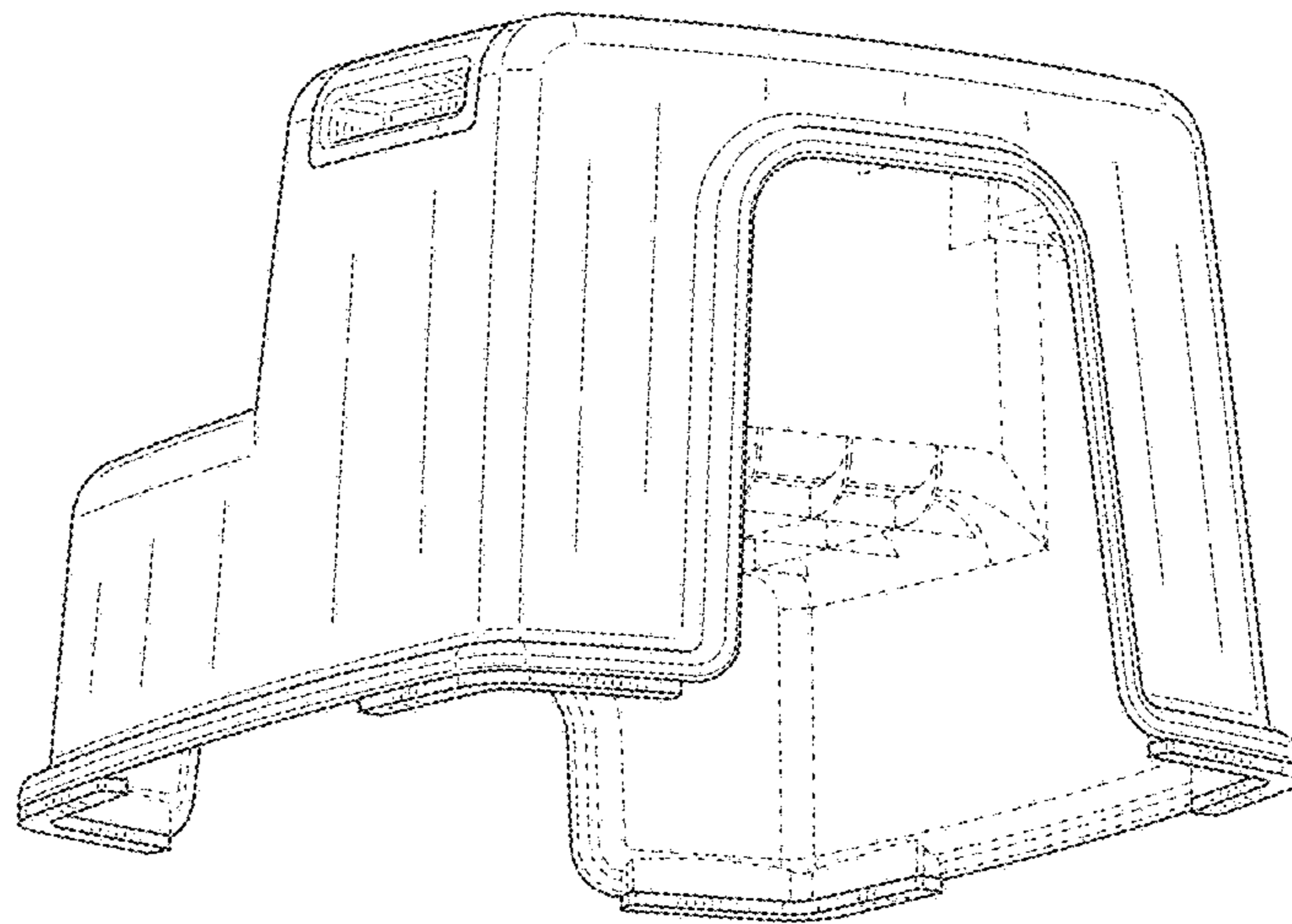


FIG. 2

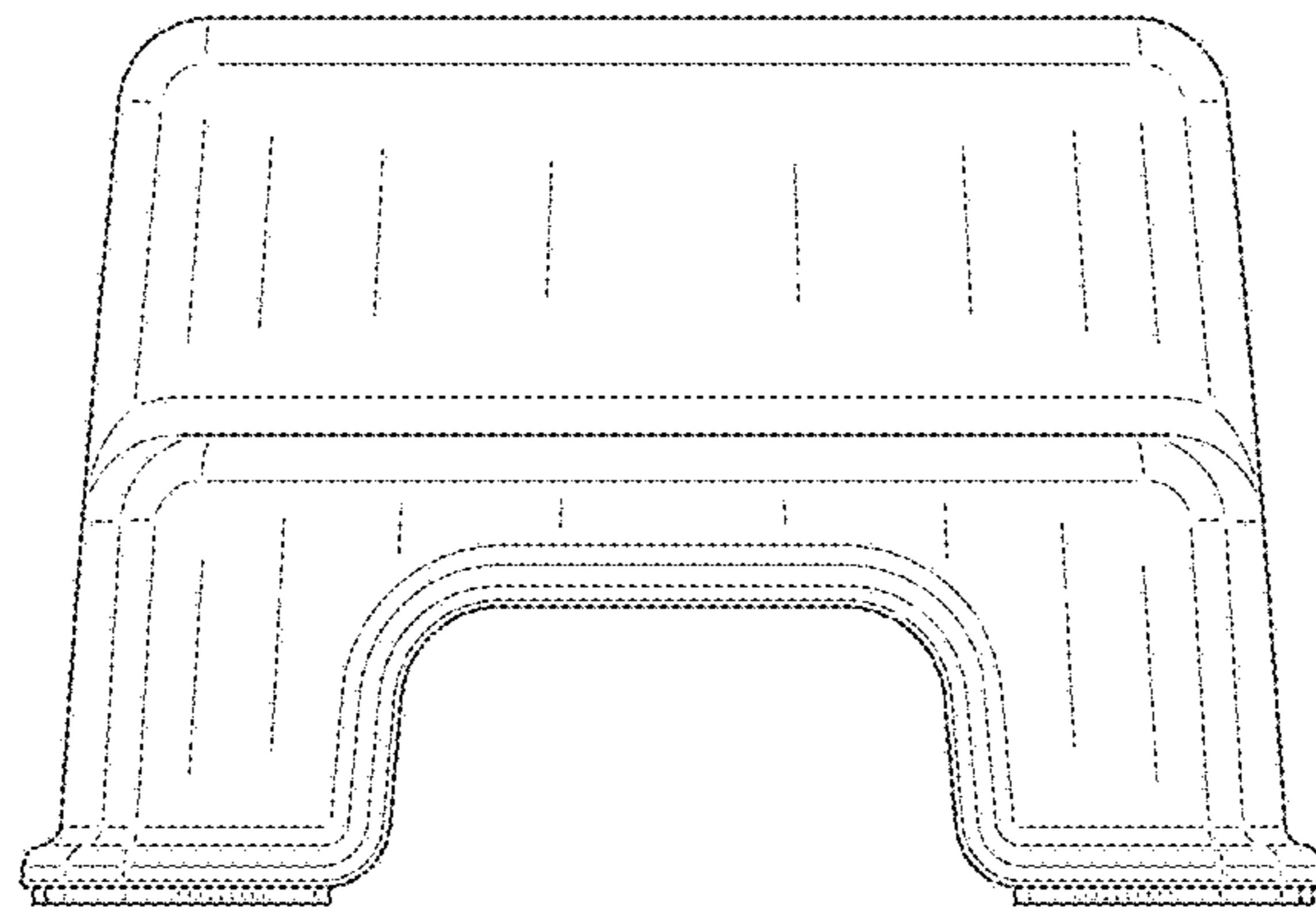


FIG. 3

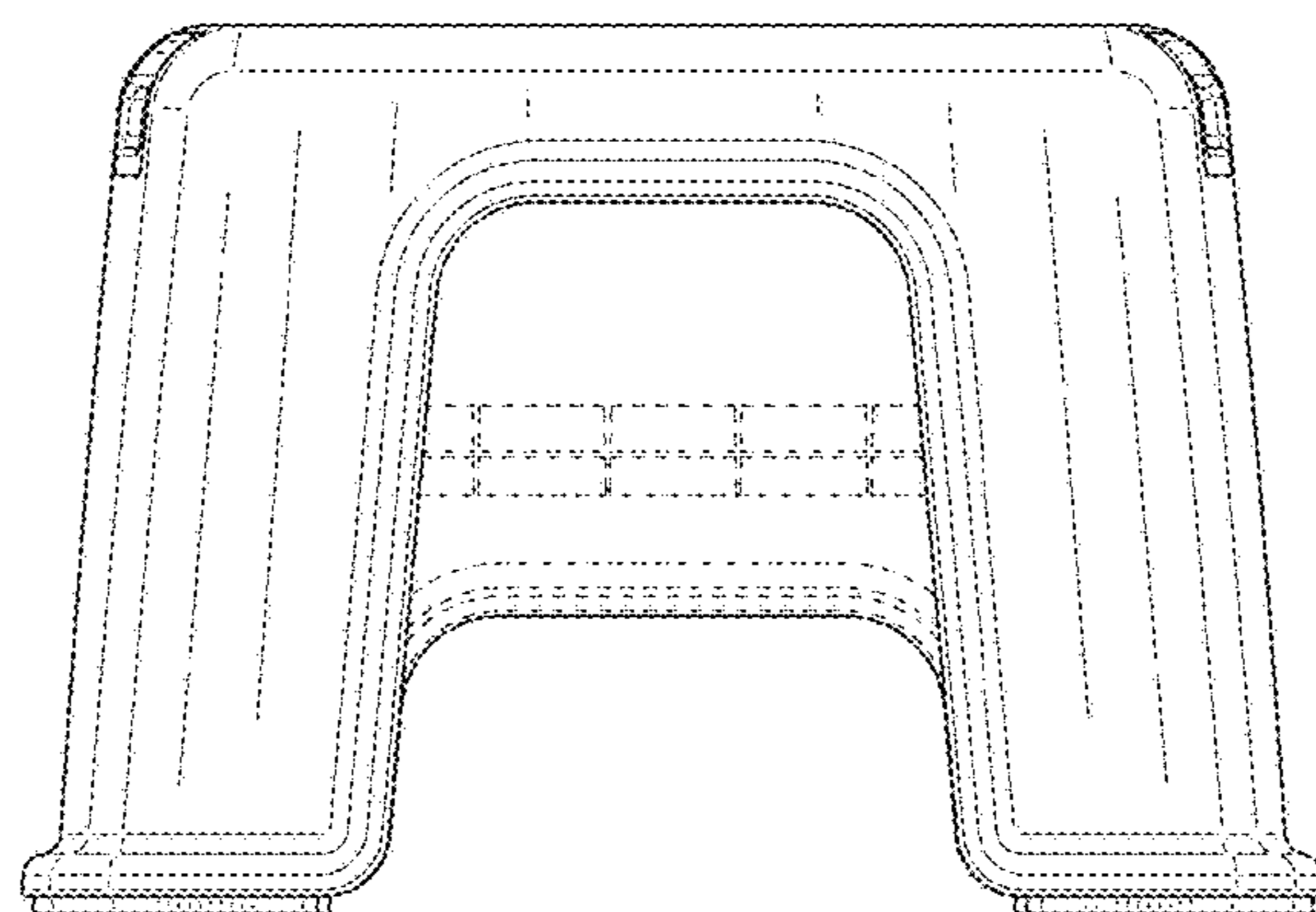


FIG. 4

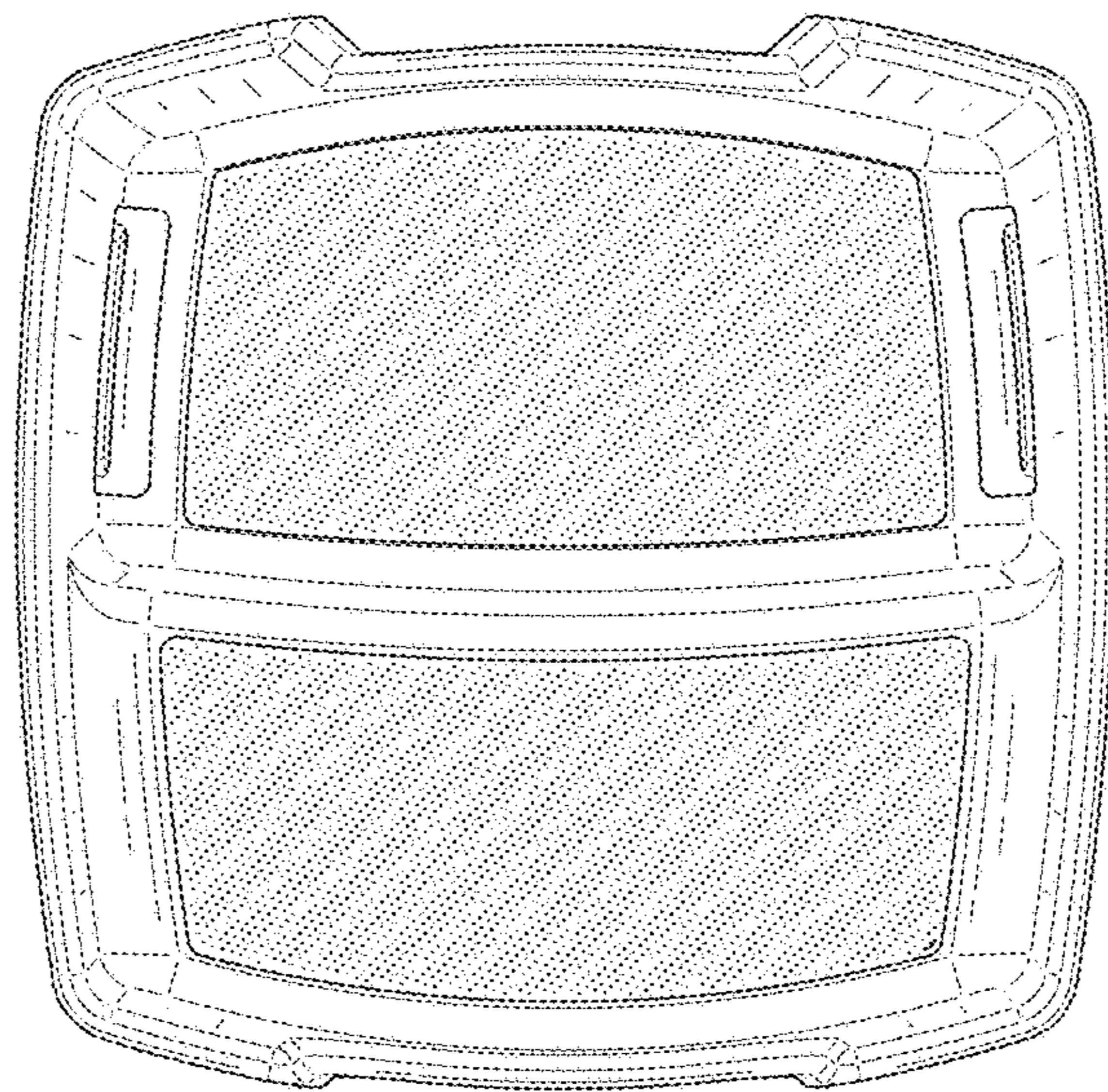


FIG. 5

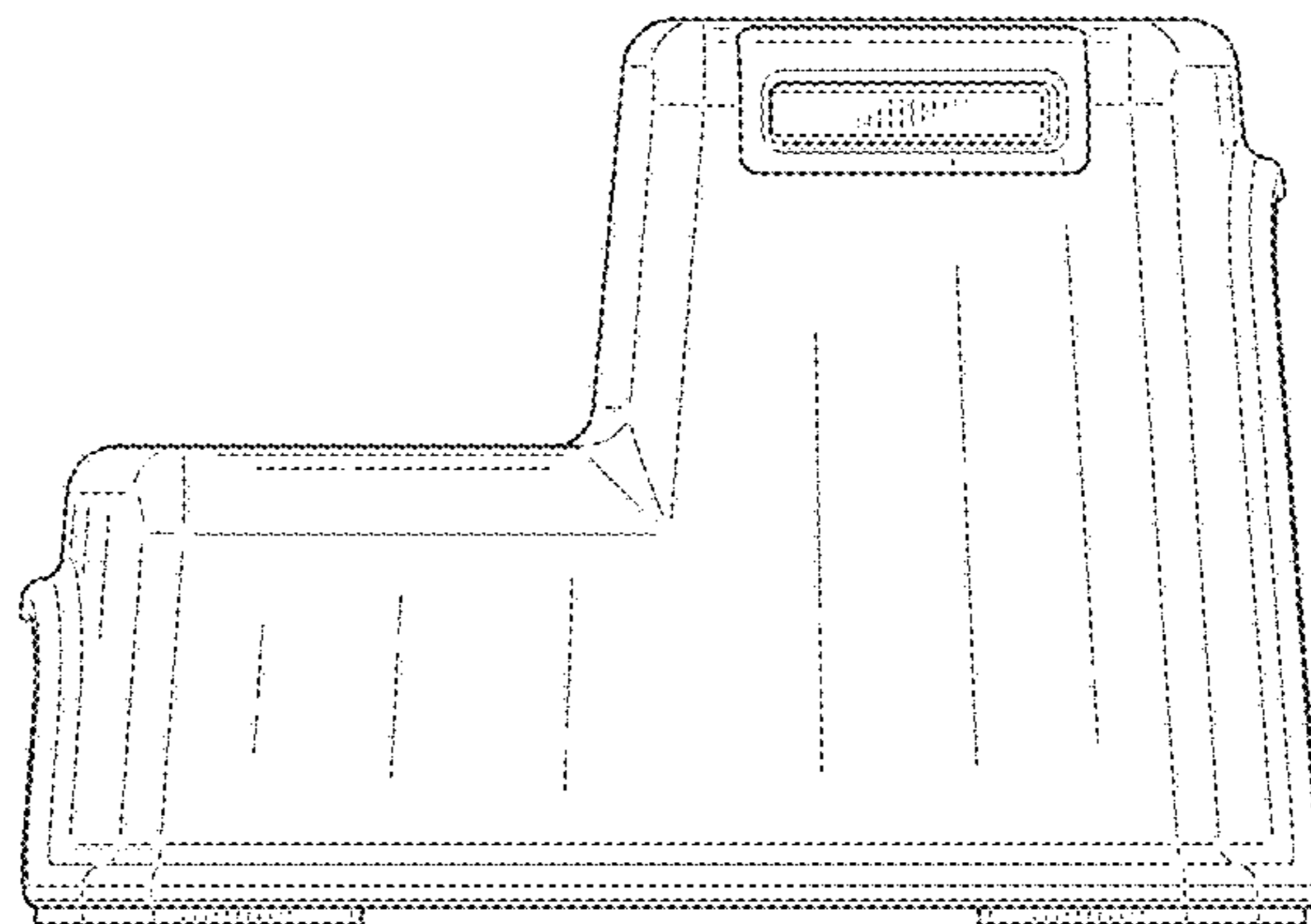


FIG. 6

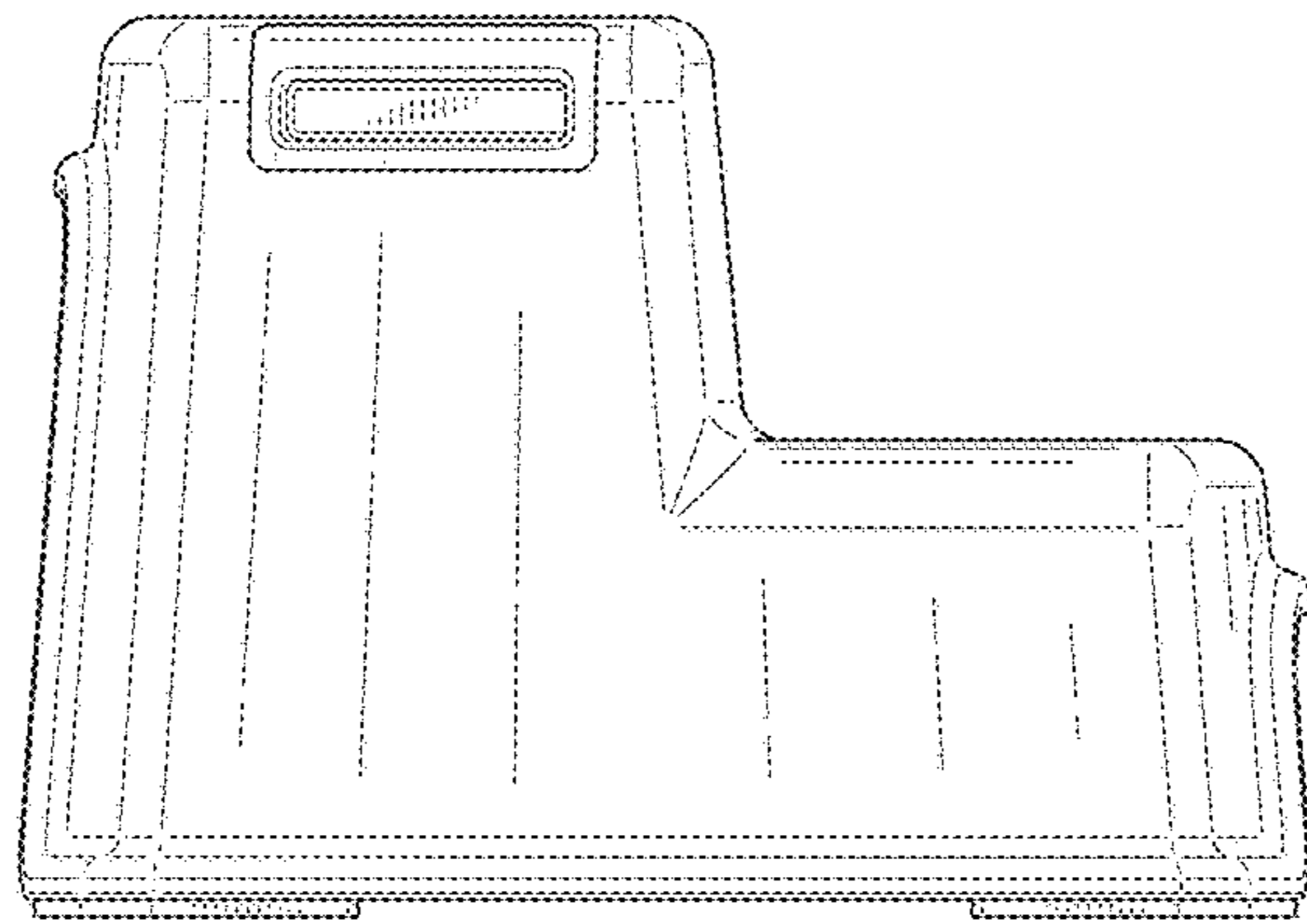


FIG. 7

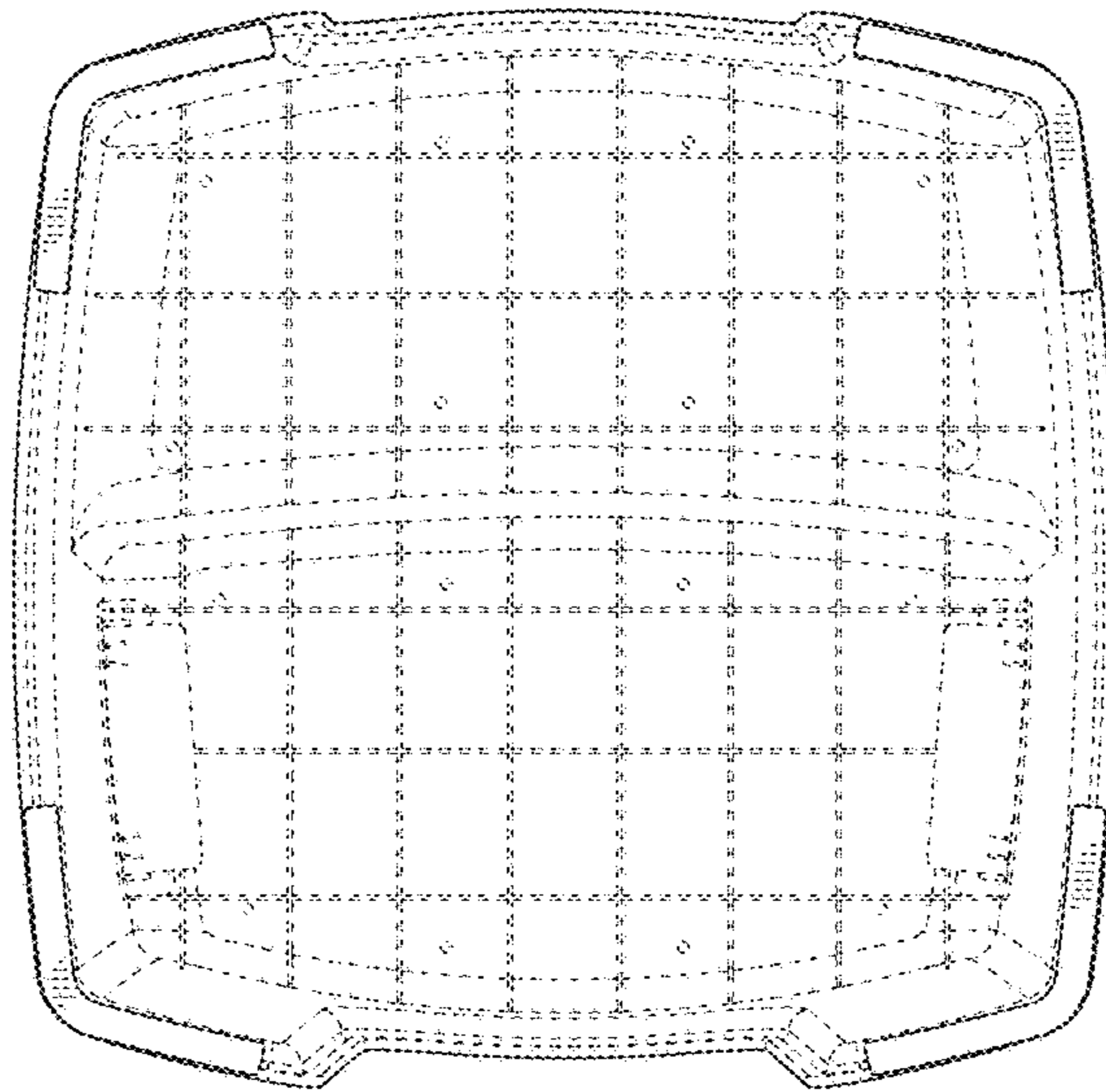


FIG. 8