



US00D865383S

(12) **United States Design Patent**  
**Wehner**

(10) **Patent No.:** **US D865,383 S**

(45) **Date of Patent:** **\*\* Nov. 5, 2019**

- (54) **FOOTBALL-SHAPED HANGING CHAIR**
- (71) Applicant: **Worldwide Creations, LLC**, Clio, MI (US)
- (72) Inventor: **Scott D. Wehner**, Clio, MI (US)
- (73) Assignee: **Worldwide Creations, LLC**, Clio, MI (US)
- (\*\*) Term: **15 Years**
- (21) Appl. No.: **29/635,685**
- (22) Filed: **Feb. 1, 2018**

3,130,969 A	4/1964	Groth	
D198,779 S	8/1964	Bredon	
3,145,990 A	8/1964	Prouty	
3,186,711 A	6/1965	Morrow	
3,344,443 A	10/1967	Bounell	
3,528,657 A	9/1970	Krupsky	
D232,500 S	8/1974	McGreevy et al.	
3,902,264 A	9/1975	Radig	
D243,044 S	1/1977	Pathman	
4,000,749 A	1/1977	Busco	
D249,408 S	9/1978	Jackson	
D249,753 S	10/1978	Pratt	
D252,602 S	8/1979	Cirrone	
D254,458 S	3/1980	Wakefield	
4,258,951 A	3/1981	Groom	
D259,610 S	6/1981	Martin	
D263,663 S	4/1982	Moreau	
D266,040 S	9/1982	Cope	
D274,133 S	6/1984	Dillon	
D278,549 S	4/1985	Kristich	
4,526,307 A	7/1985	Parker	
4,550,456 A	11/1985	Allen	
D282,970 S	3/1986	Parkin	
4,838,292 A	6/1989	Allen	
D306,196 S	2/1990	Muirhead	
D323,535 S	1/1992	Foenander et al.	
5,097,545 A	3/1992	Hooi	
D331,158 S	11/1992	Hooi	
D336,378 S	6/1993	Kittridge	
D346,070 S	4/1994	Kither	
D348,361 S	7/1994	Beecher	
5,439,016 A	8/1995	Grahn	
5,511,258 A	4/1996	Barr, Sr.	
D369,476 S	5/1996	Quill	
5,588,702 A	12/1996	Litwin	
D393,303 S	4/1998	Van Wagenen	
5,918,615 A	7/1999	Stuck, Sr.	
5,944,381 A	8/1999	Nguyen	
D414,045 S	9/1999	Morrow	
D421,034 S	2/2000	Shirley et al.	
6,401,404 B1	6/2002	Fillipp et al.	
D469,145 S	1/2003	Underwood	
D496,169 S *	9/2004	Hightower	D6/337
D496,802 S *	10/2004	Hightower	D6/337
D501,610 S *	2/2005	Hightower	D6/337
6,848,740 B1	2/2005	Reese	
D503,554 S	4/2005	Kay	
D503,555 S *	4/2005	Hightower	D6/337
D507,706 S *	7/2005	Lo	D6/358
D515,830 S *	2/2006	Zheng	D6/358
D516,825 S *	3/2006	Zheng	D6/358
D516,826 S *	3/2006	Zheng	D6/358
D517,819 S *	3/2006	Zheng	D6/358

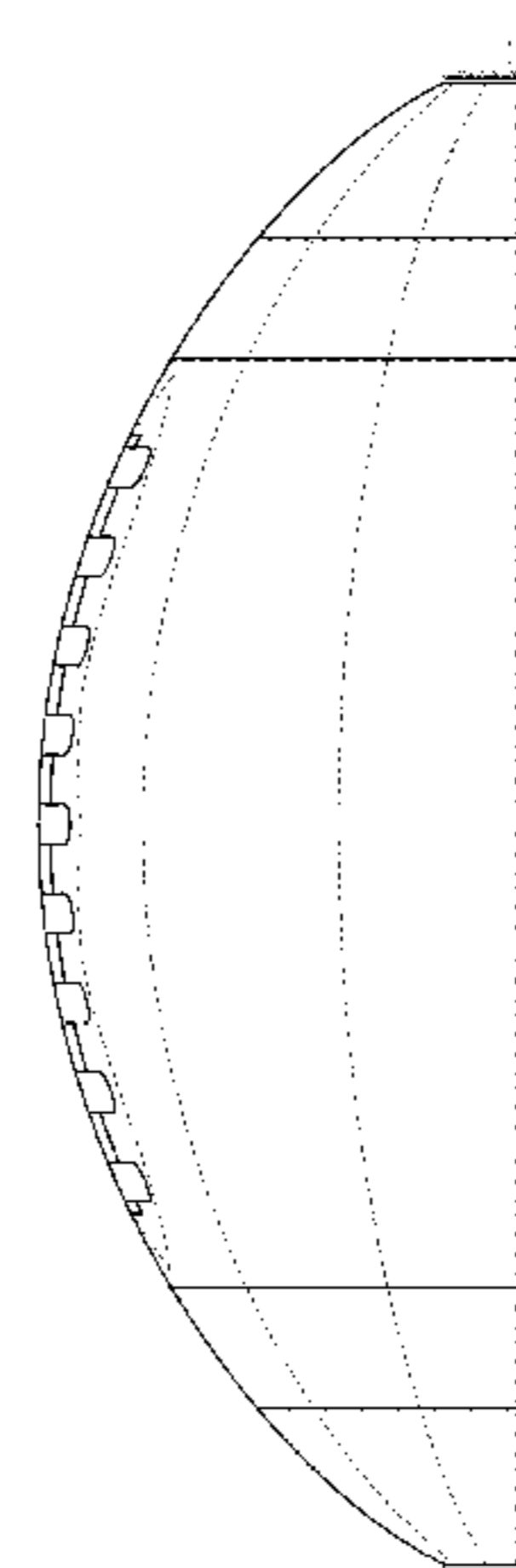
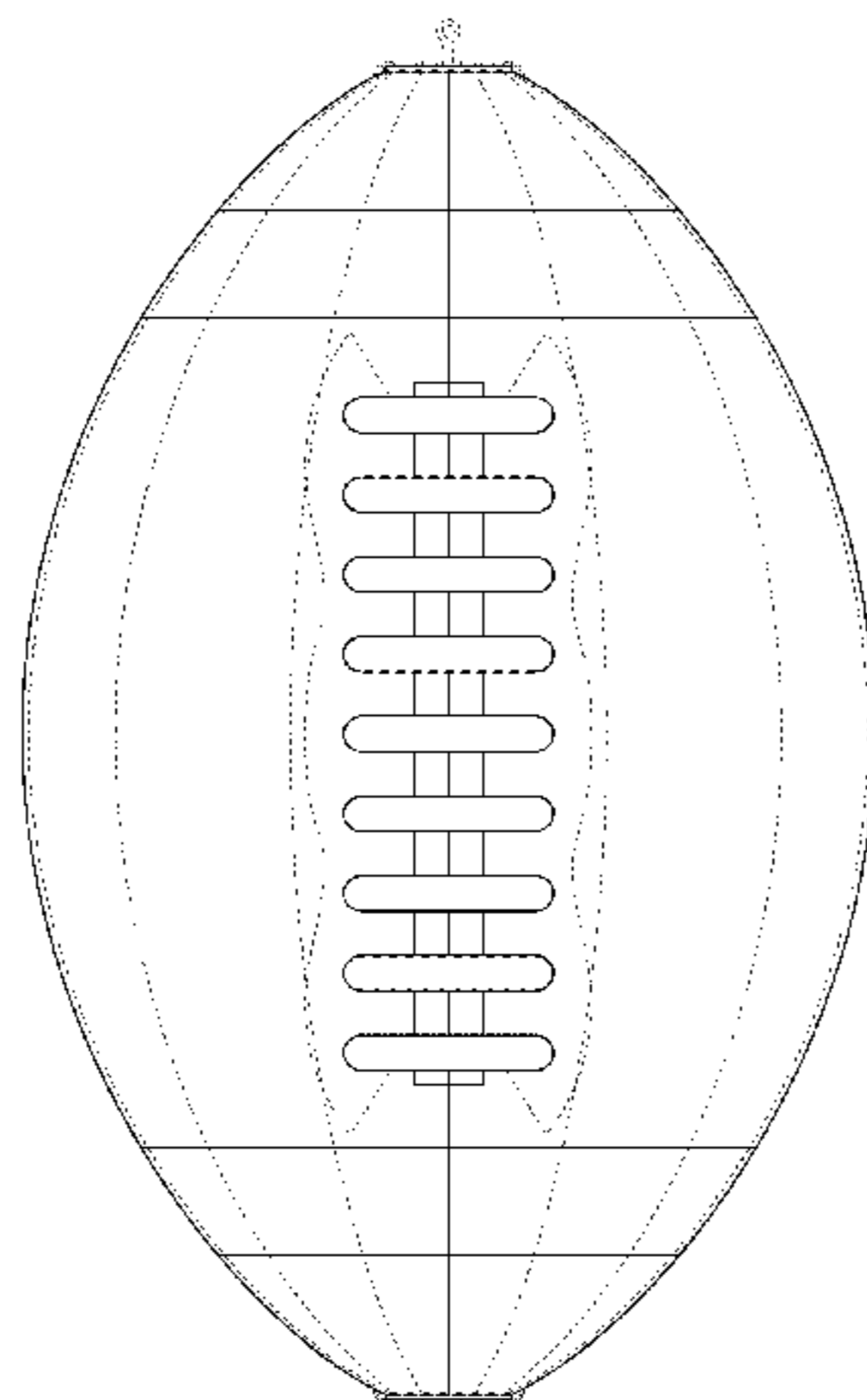
**Related U.S. Application Data**

- (63) Continuation-in-part of application No. 29/608,376, filed on Jun. 21, 2017, now Pat. No. Des. 829,454.
- (51) **LOC (12) Cl.** ..... **06-01**
- (52) **U.S. Cl.**  
USPC ..... **D6/347**
- (58) **Field of Classification Search**  
USPC ..... D6/334, 341, 342, 347, 360, 364, 365, D6/386, 387, 389, 643, 650, 677, 716, D6/718.1, 718.11; D21/521, 797; D23/292; D12/52, 322  
CPC .... A47C 3/02; A47C 3/12; A47C 3/18; A47C 3/26; A47C 3/0255; A47C 4/24; A47C 5/02; A47C 7/443; A47C 15/008; A47C 17/84; A47D 9/00; A47D 13/02; A47D 13/10; A47D 13/105; A63G 9/00; A63G 9/02; A45F 3/22; A45F 3/24; A45F 3/26; B61B 12/00  
See application file for complete search history.

(56) **References Cited**

**U.S. PATENT DOCUMENTS**

979,037 A	12/1910	Searle
1,646,716 A	10/1927	Wheeler
2,689,602 A	9/1954	Morgan
2,796,877 A	6/1957	Berseth
3,034,154 A	5/1962	Silverstone





org/web/20030512020135/http://www.floatingbed.com:80/bigger-view/outdoor-tent-bed-tree.html>, capture dated May 12, 2003, print-out dated Aug. 16, 2017.

Internet Archive Wayback Machine's capture of the Floating Bed, <https://web.archive.org/web/20030513102711/http://www.floatingbed.com:80/bigger-view/outdoor-tent-bed.html> <<https://web.archive.org/web/20030513102711/http://www.floatingbed.com:80/bigger-view/outdoor-tent-bed.html>>, capture dated May 13, 2003, print-out dated Aug. 16, 2017.

National Archives and Records Administration, Gabe Gobin, an Indian logger, in front of his home. Tulalip Reservation, Washington, <[https://commons.wikimedia.org/wiki/File:Gabe\\_Gobin,\\_an\\_Indian\\_logger,\\_in\\_front\\_of\\_his\\_home.\\_Tulalip\\_Reservation,\\_Washington,\\_1916\\_-\\_NARA\\_-\\_518929.tif](https://commons.wikimedia.org/wiki/File:Gabe_Gobin,_an_Indian_logger,_in_front_of_his_home._Tulalip_Reservation,_Washington,_1916_-_NARA_-_518929.tif)>, created Dec. 31, 1915, print-out dated Aug. 22, 2017.

Wikipedia, Weaver Nest in Malaysia, [https://en.wikipedia.org/wiki/Ploceidae#/media/File:Weaver\\_Nest.jpg](https://en.wikipedia.org/wiki/Ploceidae#/media/File:Weaver_Nest.jpg) <[https://en.wikipedia.org/wiki/Ploceidae#/media/File:Weaver\\_Nest.jpg](https://en.wikipedia.org/wiki/Ploceidae#/media/File:Weaver_Nest.jpg)>, created Mar. 28, 2013, print-out dated Aug. 22, 2017.

\* cited by examiner

*Primary Examiner* — Kevin K Rudzinski

*Assistant Examiner* — Paul D Bohannon

(74) *Attorney, Agent, or Firm* — Young Basile Hanlon & MacFarlane, P.C.

(57) **CLAIM**

The ornamental design for a football-shaped hanging chair, as shown and described.

**DESCRIPTION**

FIG. 1 is a front view of a football-shaped hanging chair according to a first embodiment.

FIG. 2 is a rear view of the football-shaped hanging chair of FIG. 1.

FIG. 3 is a left-side view of the football-shaped hanging chair of FIG. 1.

FIG. 4 is a right-side view of the football-shaped hanging chair of FIG. 1.

FIG. 5 is a top view of the football-shaped hanging chair of FIG. 1.

FIG. 6 is a bottom view of the football-shaped hanging chair of FIG. 1.

FIG. 7 is a front view of a football-shaped hanging chair according to a second embodiment.

FIG. 8 is a rear view of the football-shaped hanging chair of FIG. 7.

FIG. 9 is a left-side view of the football-shaped hanging chair of FIG. 7.

FIG. 10 is a right-side view of the football-shaped hanging chair of FIG. 7.

FIG. 11 is a top view of the football-shaped hanging chair of FIG. 7.

FIG. 12 is a bottom view of the football-shaped hanging chair of FIG. 7.

FIG. 13 is a front view of a football-shaped hanging chair according to a third embodiment.

FIG. 14 is a rear view of the football-shaped hanging chair of FIG. 13.

FIG. 15 is a left-side view of the football-shaped hanging chair of FIG. 13.

FIG. 16 is a right-side view of the football-shaped hanging chair of FIG. 13.

FIG. 17 is a top view of the football-shaped hanging chair of FIG. 13; and,

FIG. 18 is a bottom view of the football-shaped hanging chair of FIG. 13.

The broken lines shown in the drawings are for the purpose of illustrating environmental structure and form no part of the claimed design.

**1 Claim, 15 Drawing Sheets**

FIG. 1

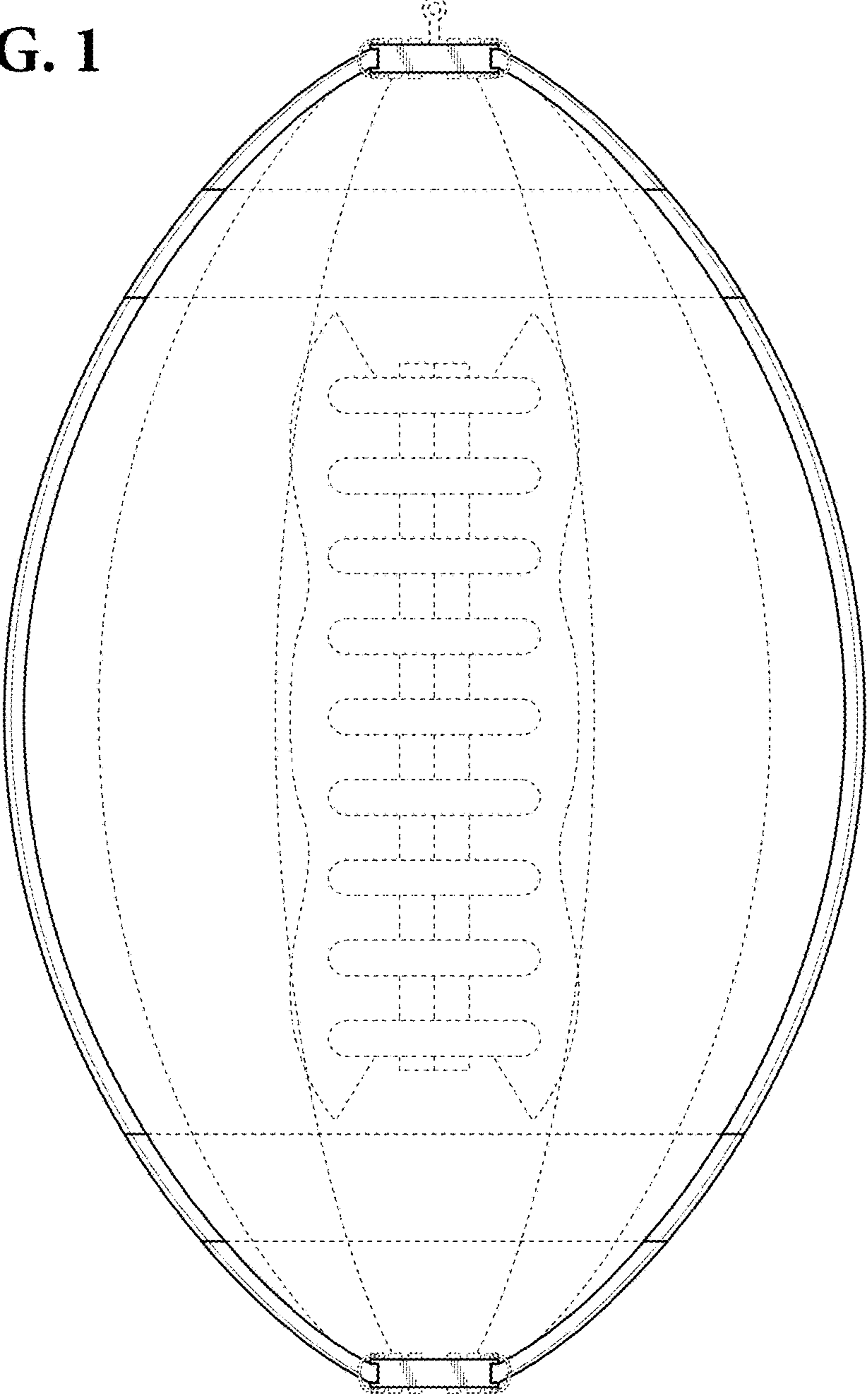


FIG. 2

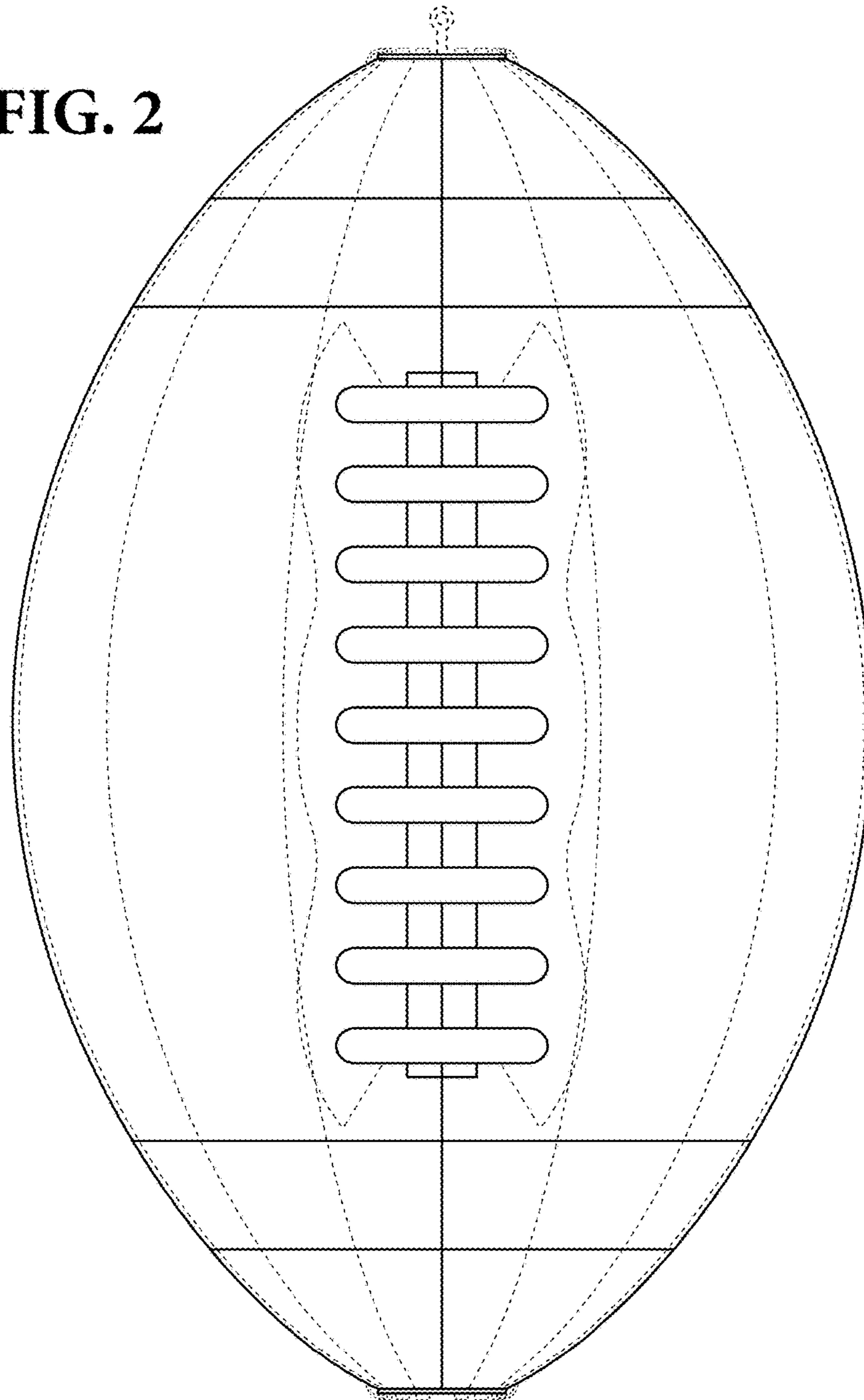
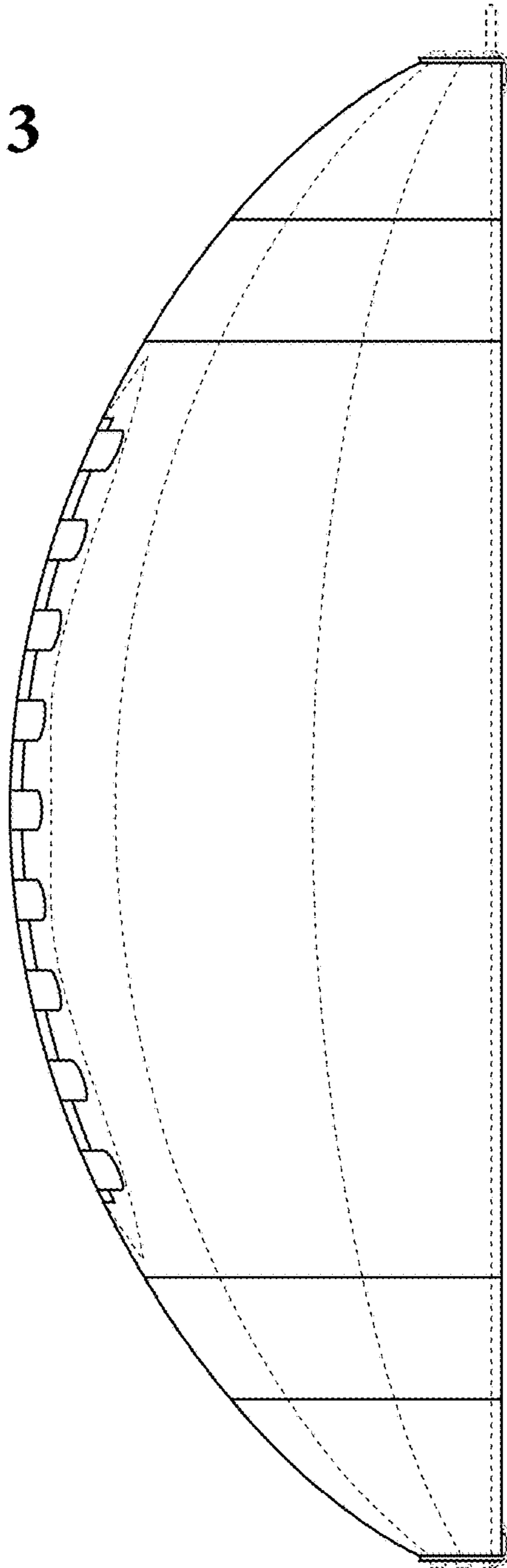
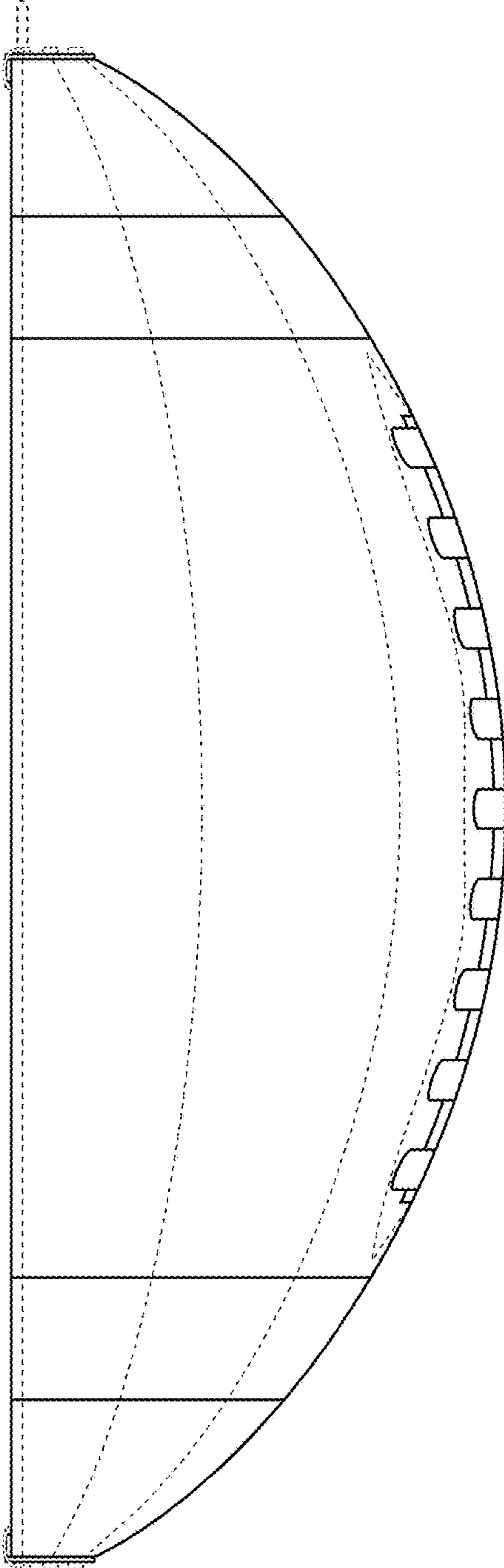


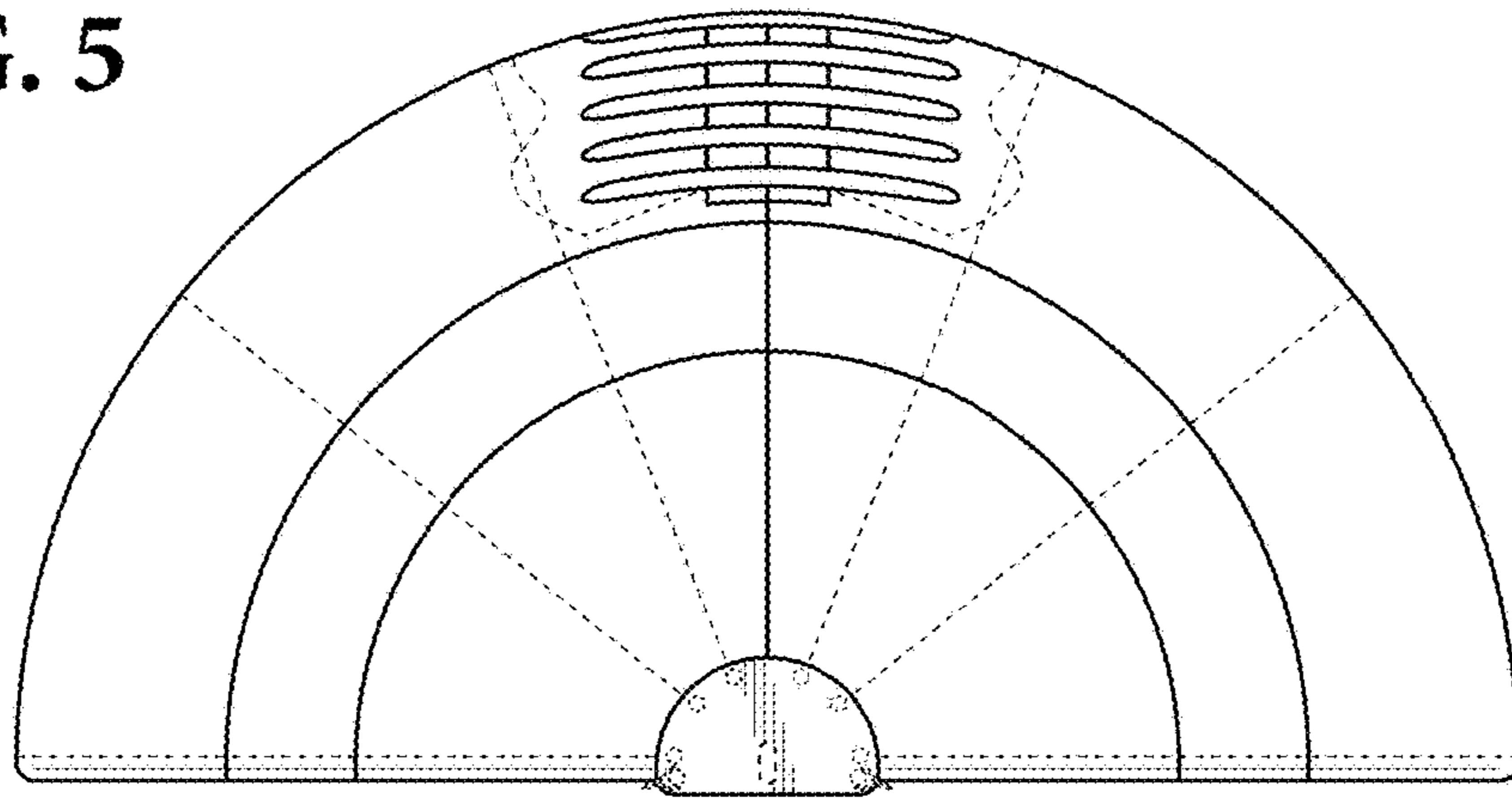
FIG. 3



**FIG. 4**



**FIG. 5**



**FIG. 6**

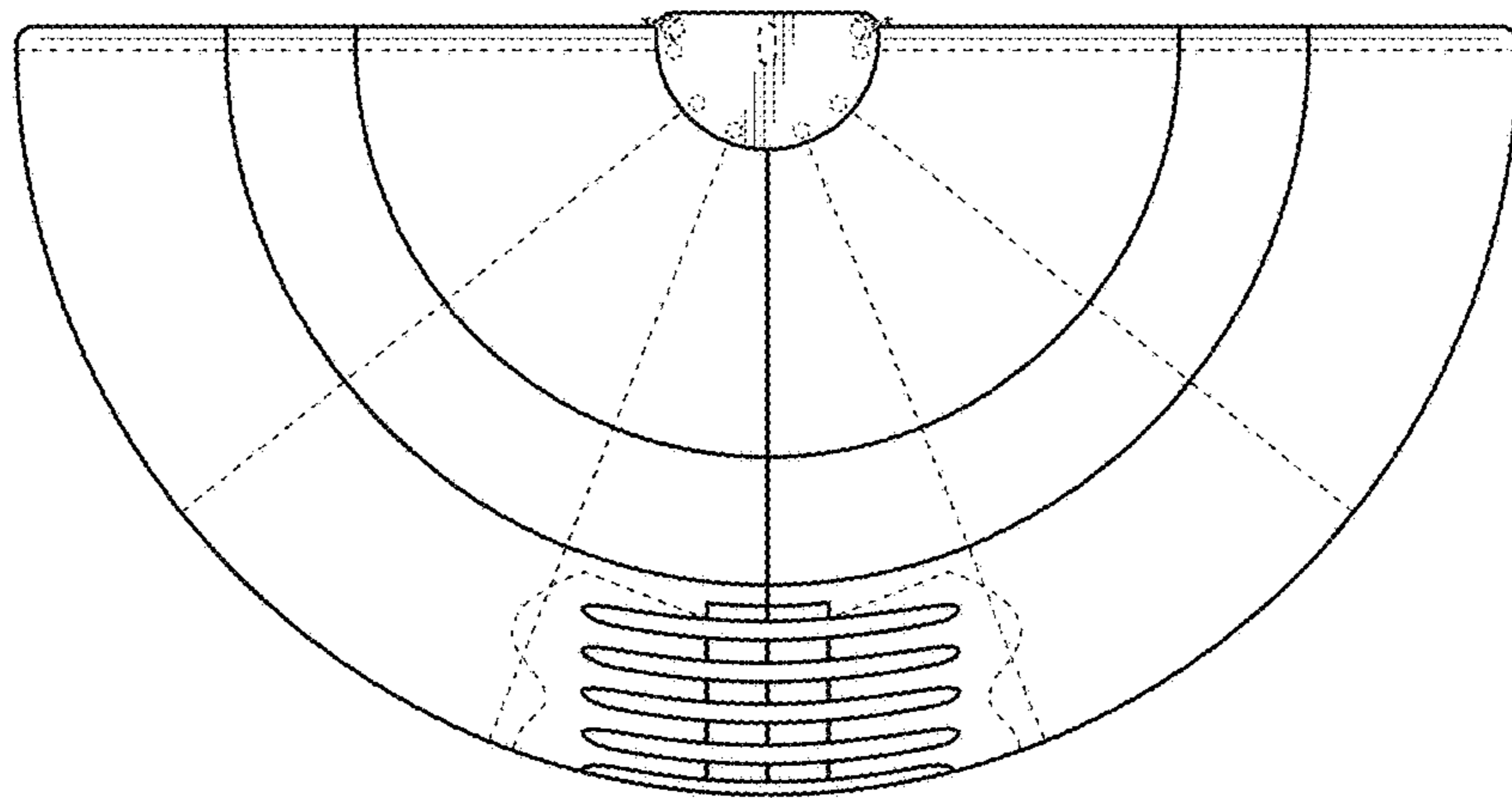




FIG. 7

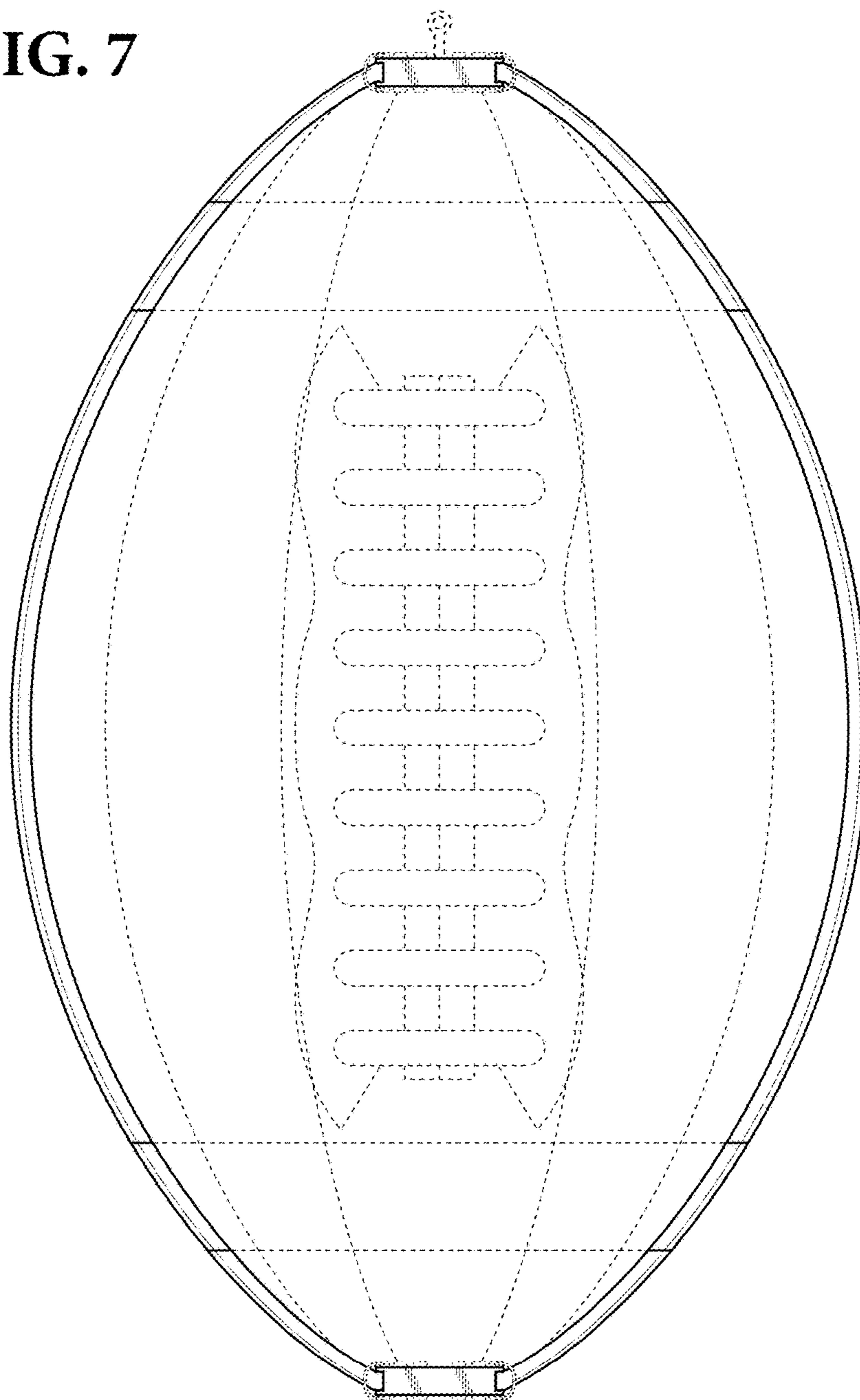


FIG. 8

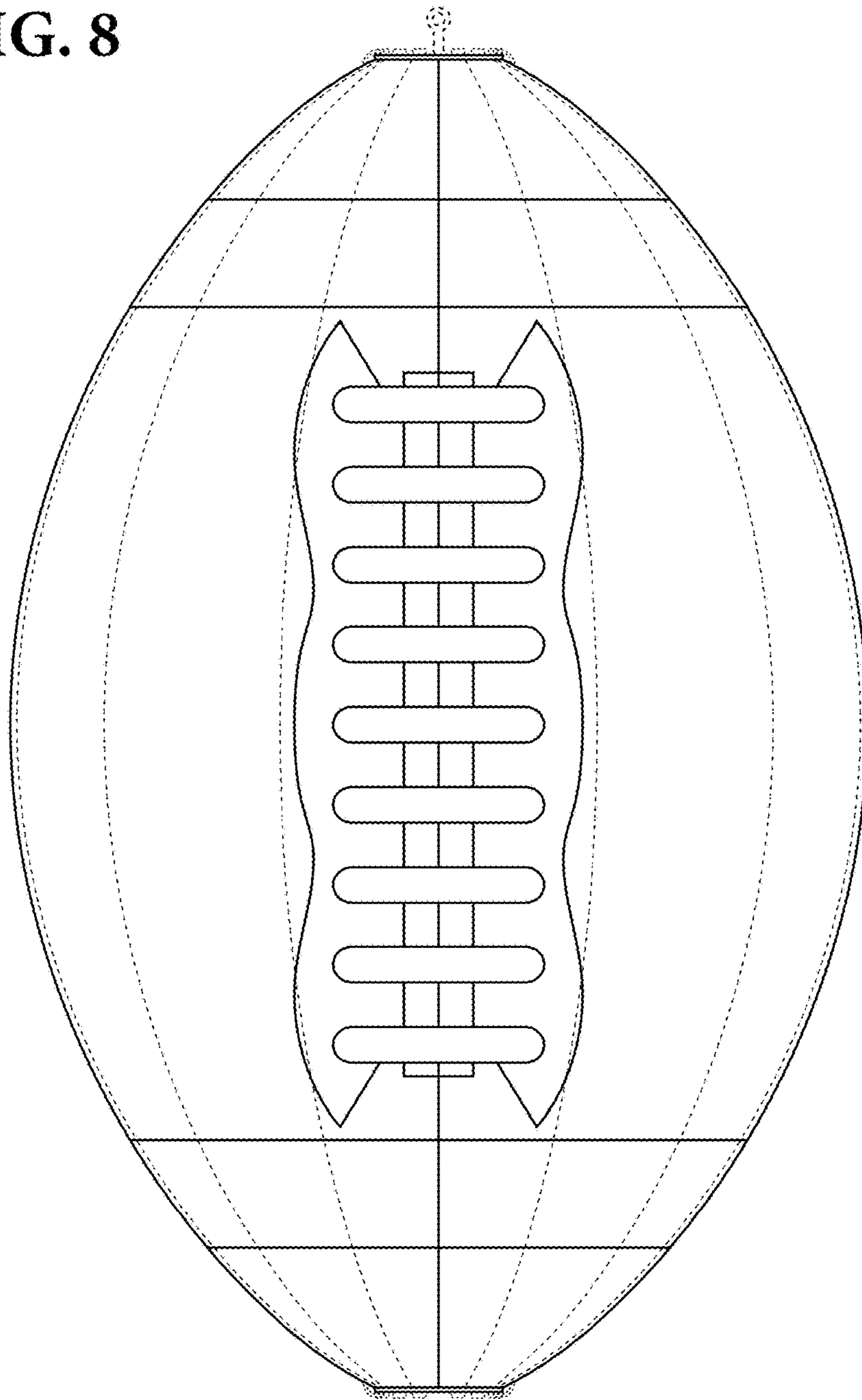
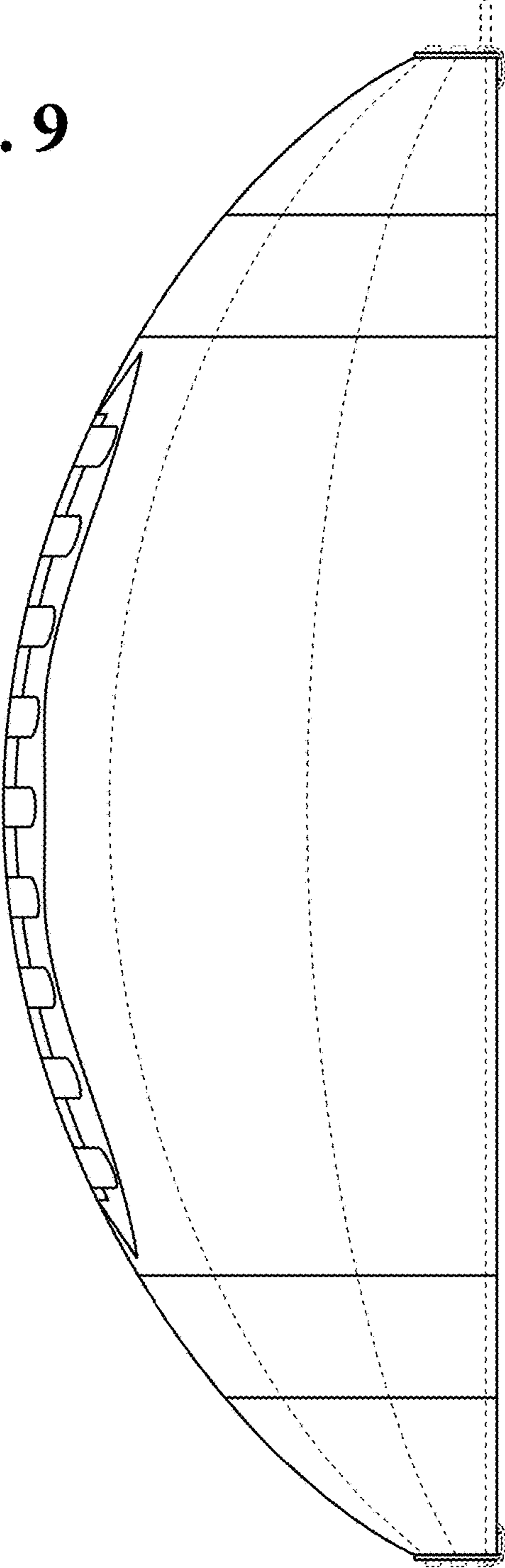
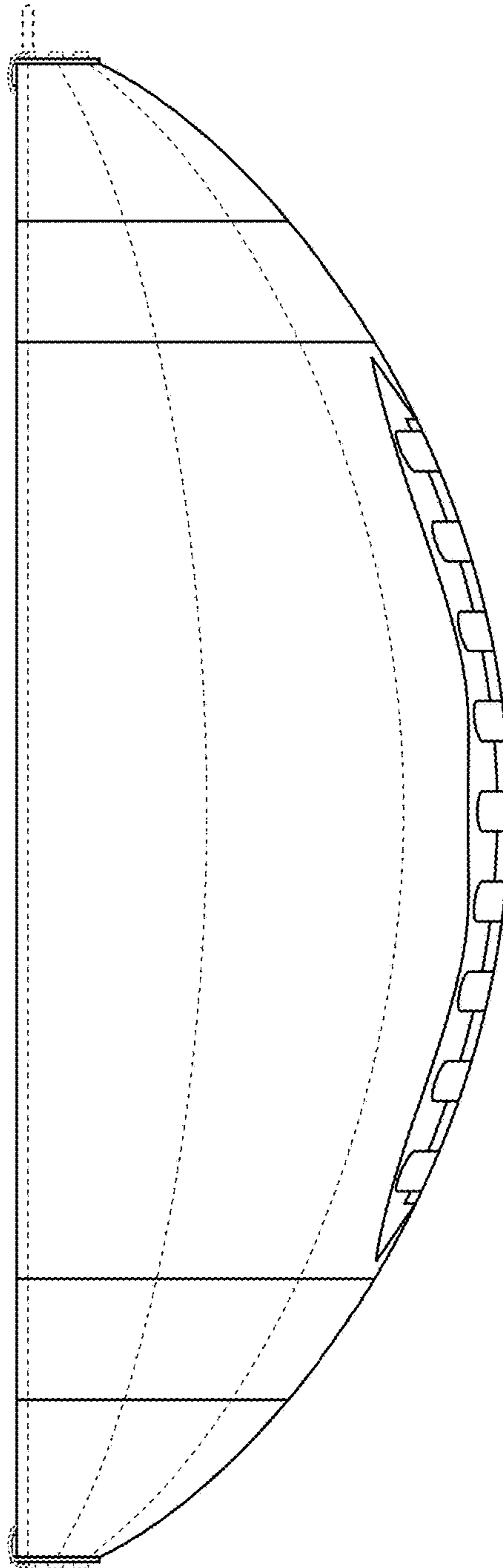


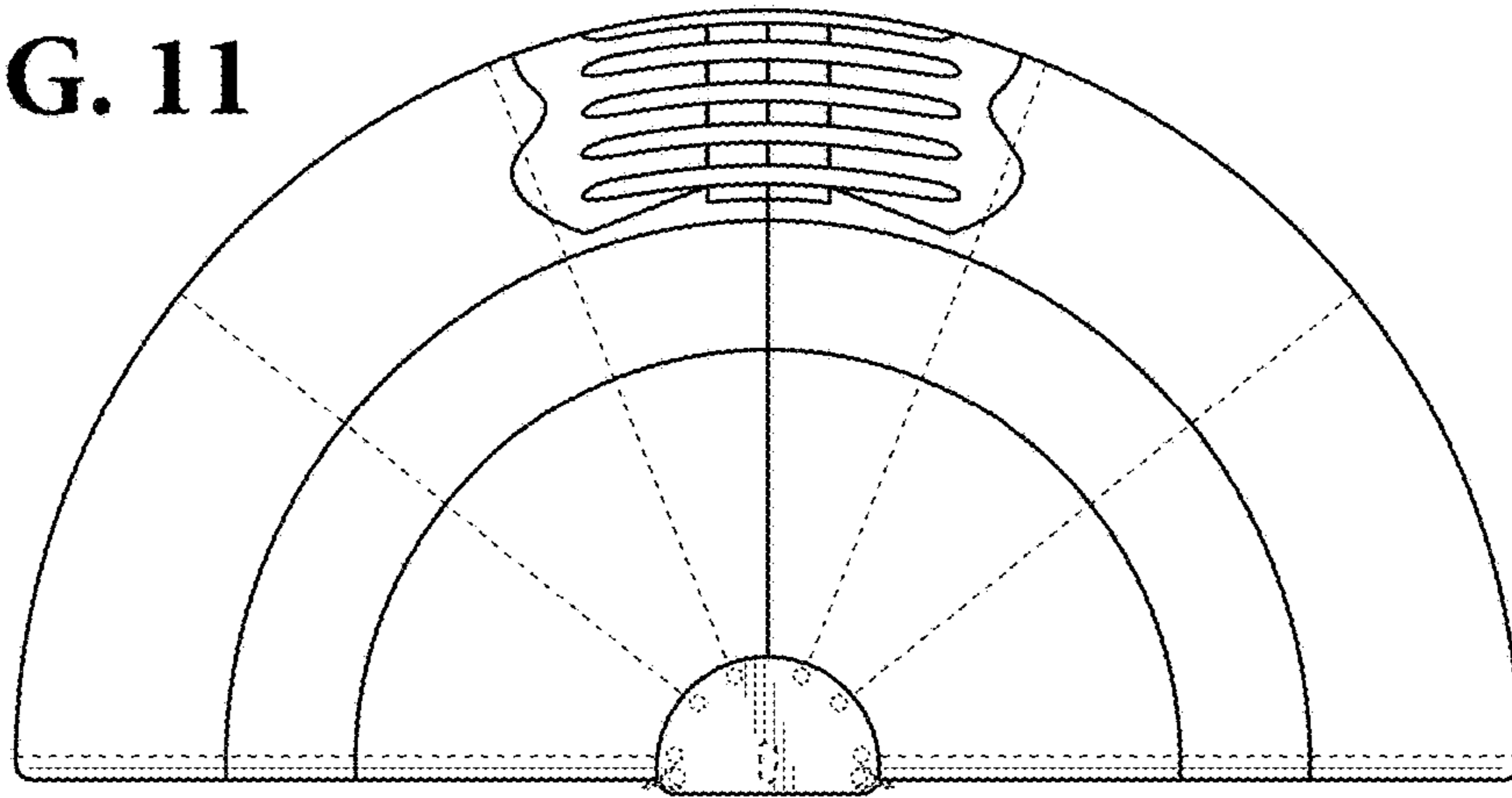
FIG. 9



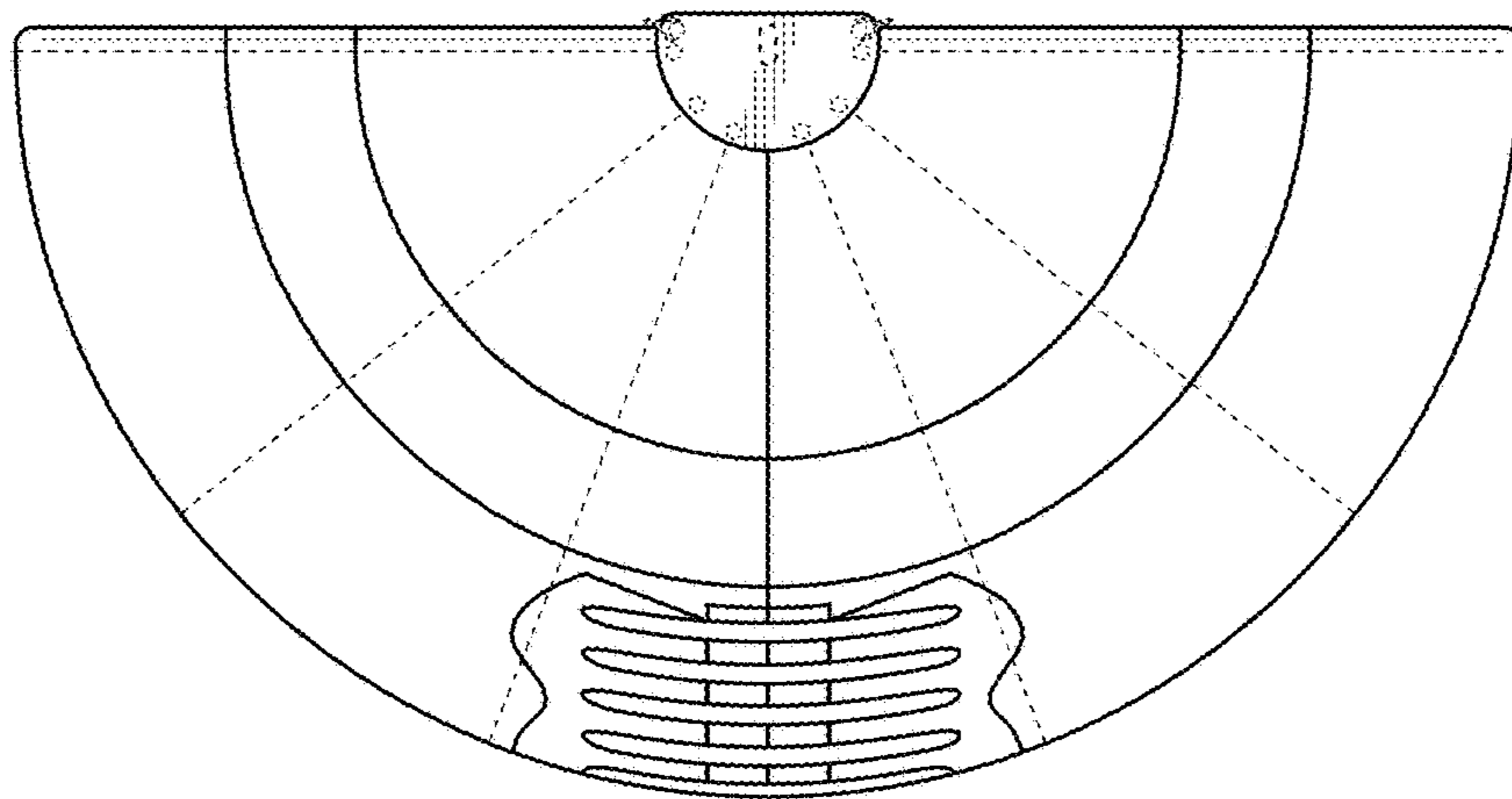
**FIG. 10**



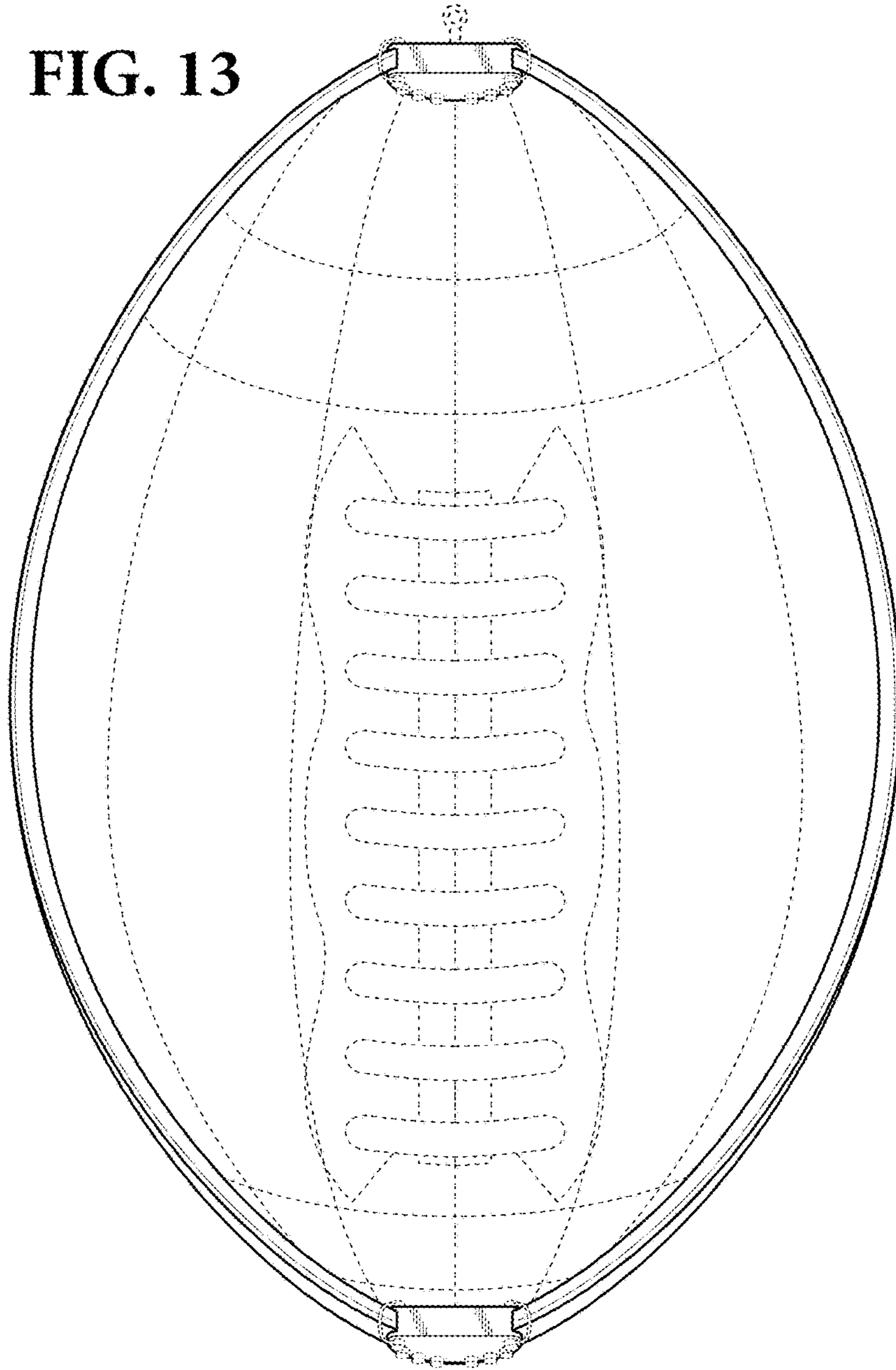
**FIG. 11**

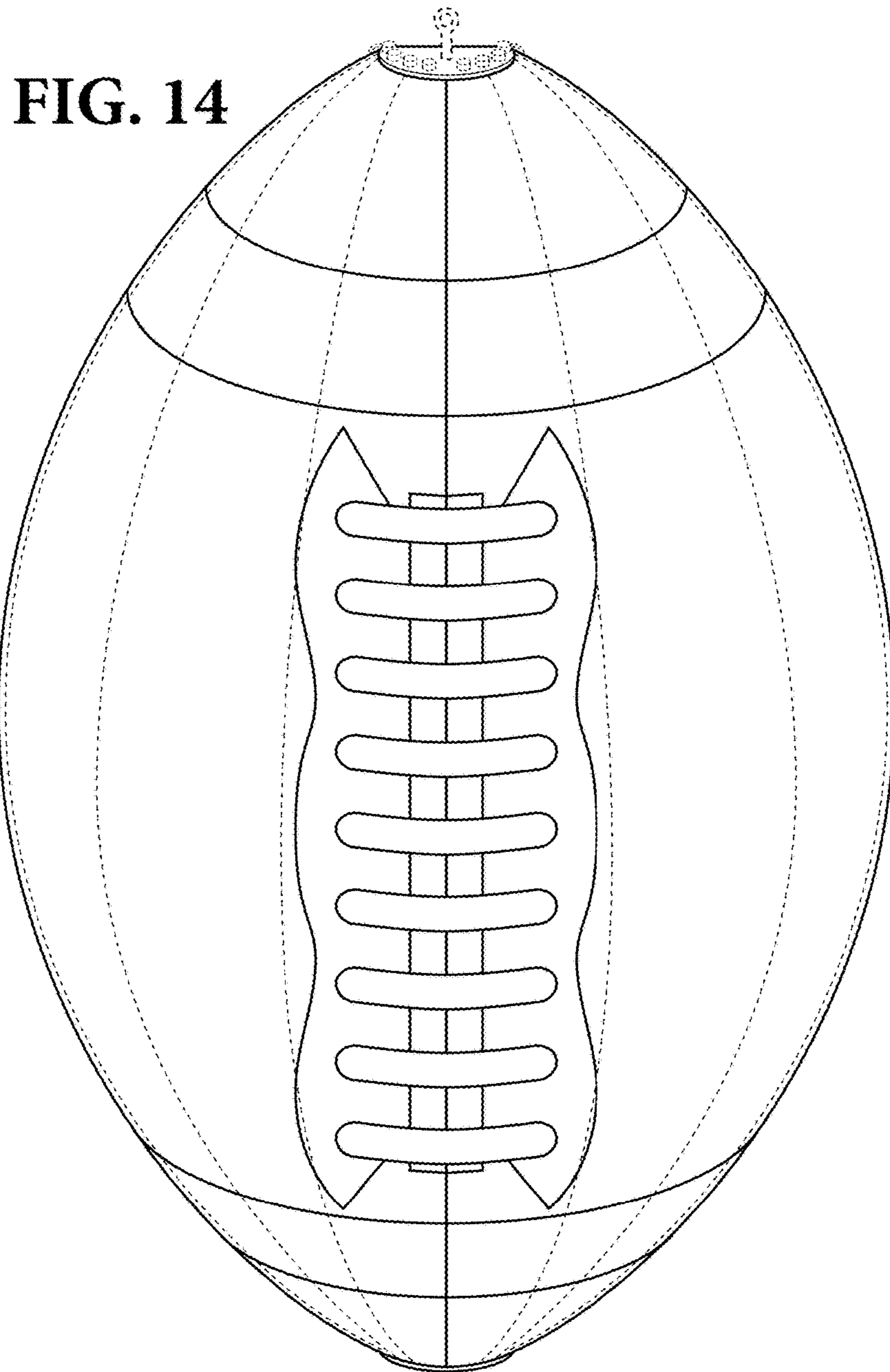


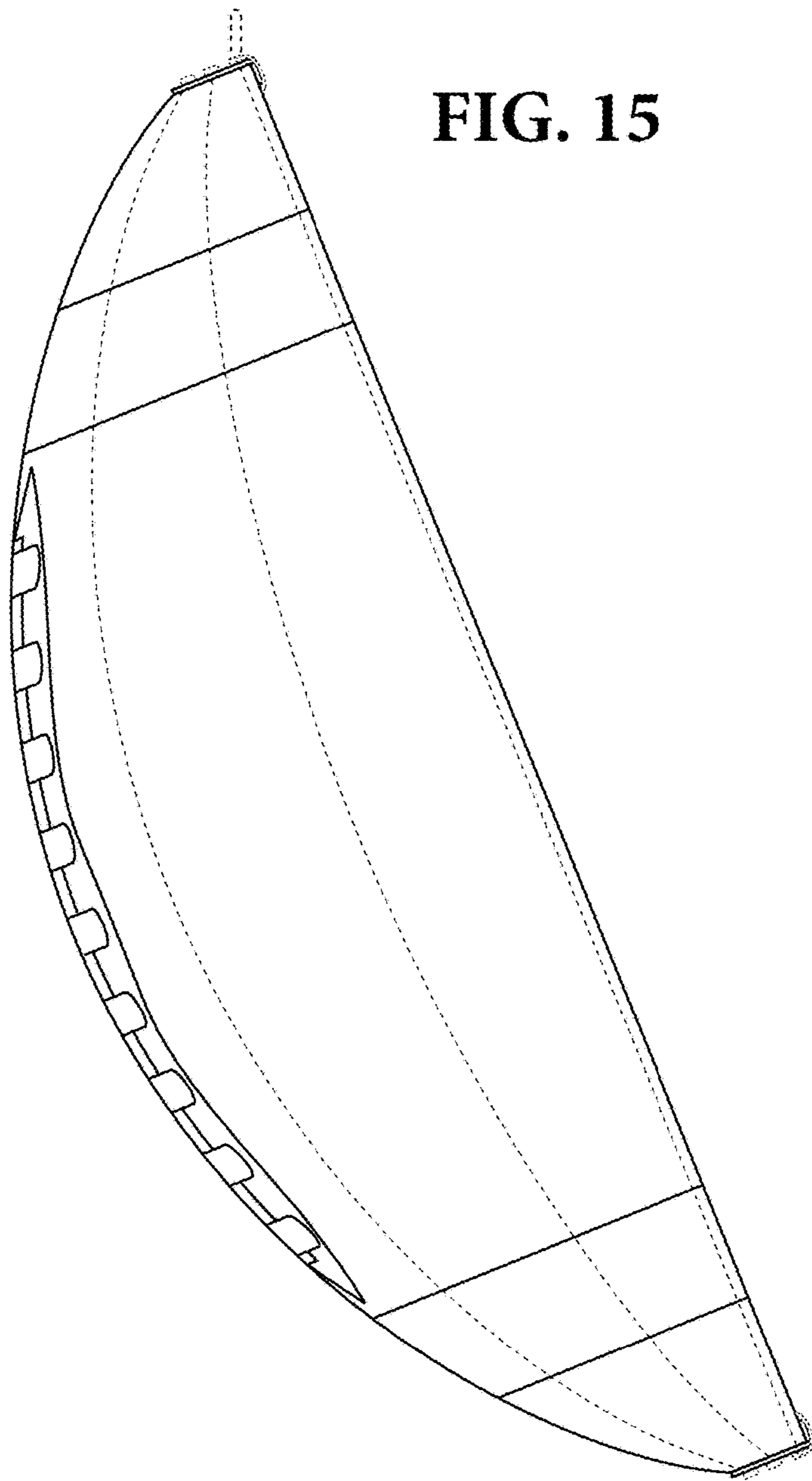
**FIG. 12**



**FIG. 13**



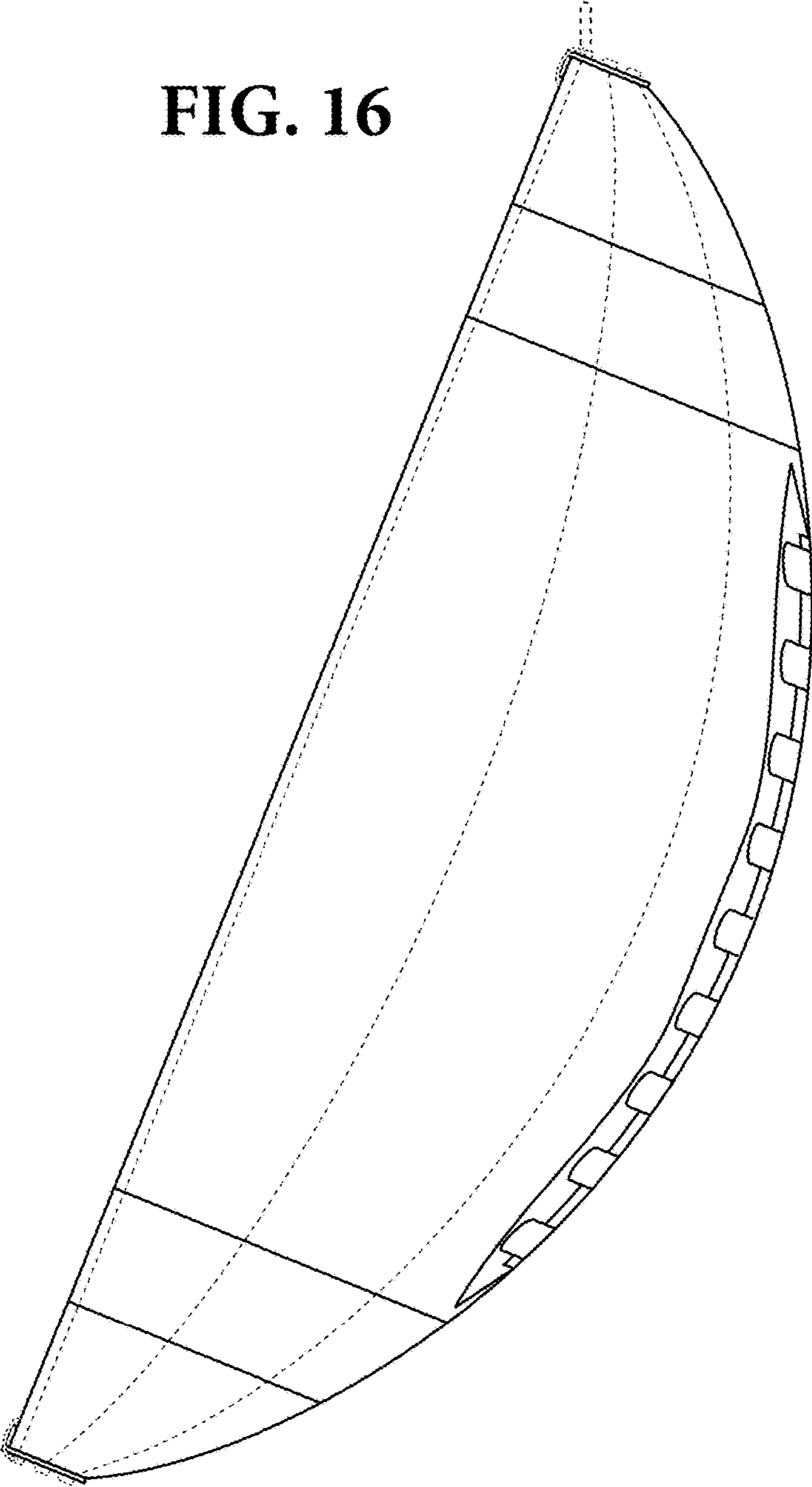




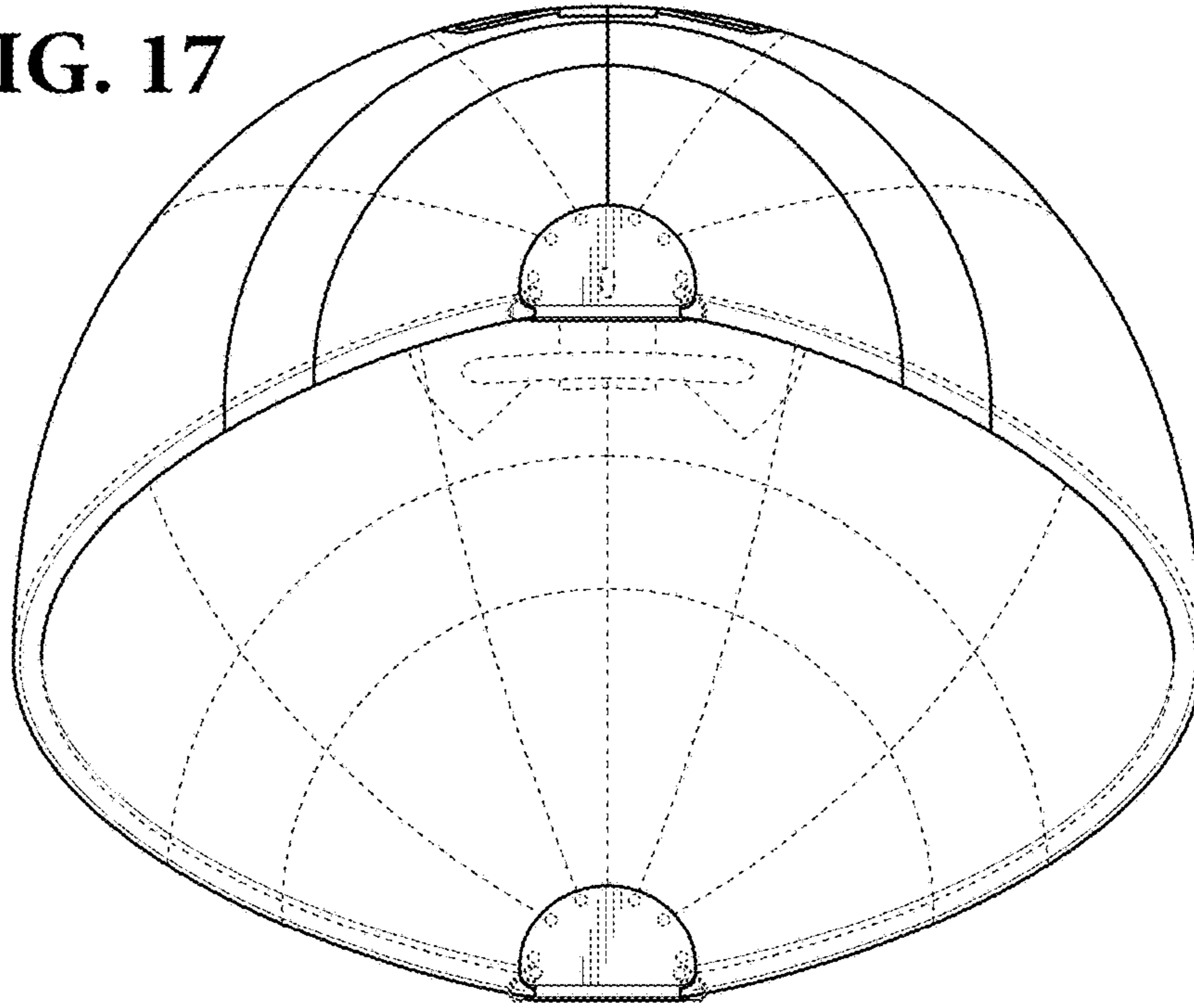
**FIG. 15**



**FIG. 16**



**FIG. 17**



**FIG. 18**

