

US00D865382S

(12) **United States Design Patent** (10) **Patent No.:** **US D865,382 S**
von Bergen (45) **Date of Patent:** **** Nov. 5, 2019**

(54) **CHAIR FOR CHILDREN**

(56) **References Cited**

(71) Applicant: **VON BERGEN LÜTHI ARCHITEKTEN GMBH**, Biel/bienne (CH)

U.S. PATENT DOCUMENTS

(72) Inventor: **Matthias von Bergen**, Pieterlen (CH)

38,132 A *	4/1863	Vaill	A47C 4/14 297/52
D119,177 S *	2/1940	Carlson	D6/339
D546,081 S *	7/2007	Babikian	A47D 1/00 D6/339
D814,203 S *	4/2018	Liu	D6/360
D816,360 S *	5/2018	Saotome	A47D 1/00 D6/360
D821,107 S *	6/2018	Walker	D6/333
D833,160 S *	11/2018	Wanders	A47D 1/00 D6/339
2017/0127850 A1 *	5/2017	Sozzo	A47D 1/00

(73) Assignee: **VON BERGEN LÜTHI ARCHITEKTEN GMBH**, Bienne (CH)

(**) Term: **15 Years**

(21) Appl. No.: **35/505,503**

* cited by examiner

(22) Filed: **May 1, 2018**

Primary Examiner — Mary Ann Calabrese

(80) **Hague Agreement Data**

(74) *Attorney, Agent, or Firm* — Cermak Nakajima & McGowan LLP; Adam J. Cermak

Int. Filing Date: **May 1, 2018**

Int. Reg. No.: **DM/102123**

Int. Reg. Date: **May 1, 2018**

Int. Reg. Pub. Date: **Aug. 17, 2018**

(57) **CLAIM**

The ornamental design for chair for children, as shown and described.

(30) **Foreign Application Priority Data**

DESCRIPTION

Mar. 15, 2018 (CH) 143872

(51) **LOC (12) Cl.** **06-01**

(52) **U.S. Cl.**
USPC **D6/339**

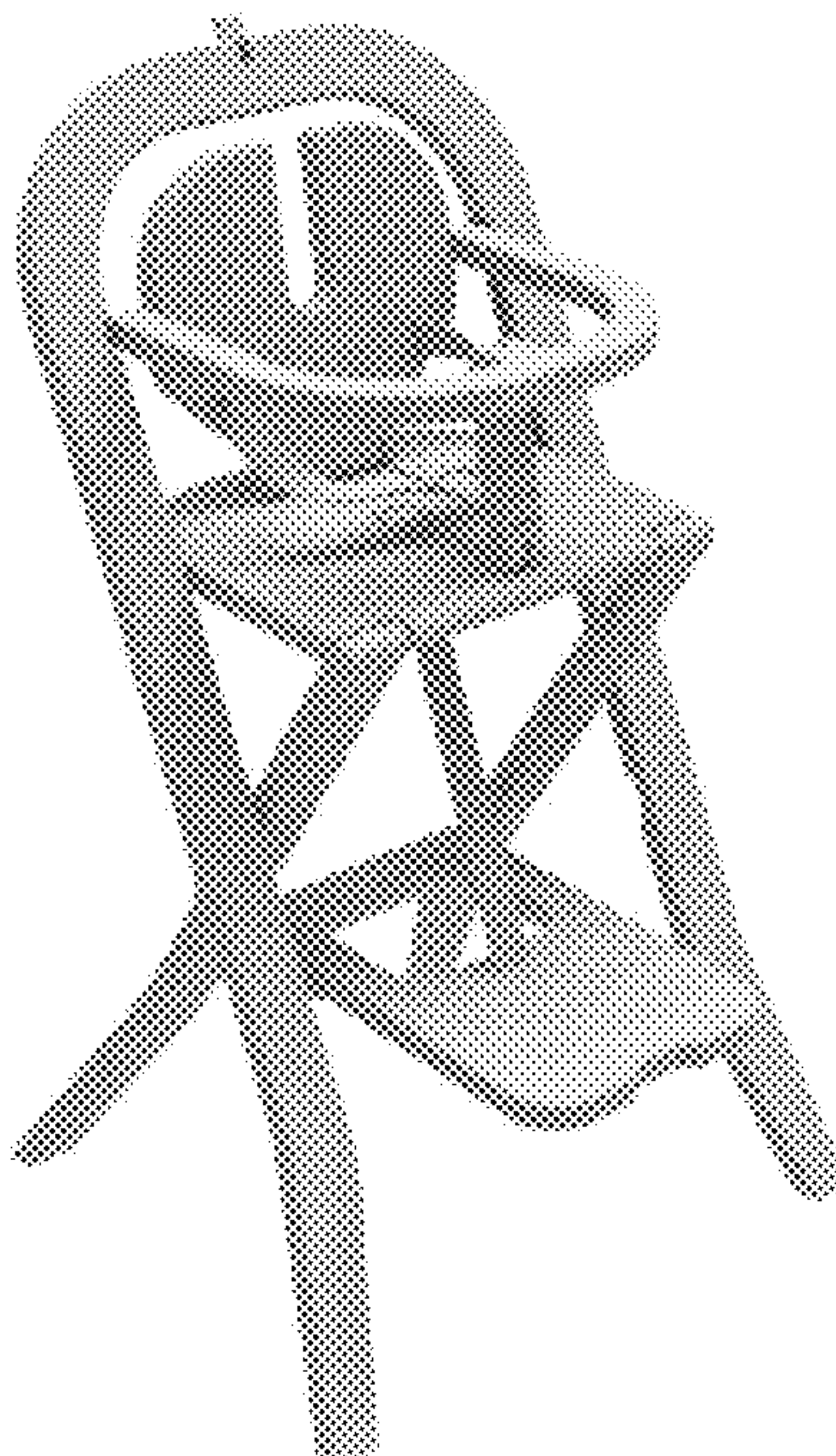
(58) **Field of Classification Search**
USPC D6/334, 353, 360, 368, 380, 333, 335,
D6/336, 338, 339

CPC A47C 1/00; A47C 3/00; A47C 7/00; A47C
7/02; A47C 7/14; A47C 15/006

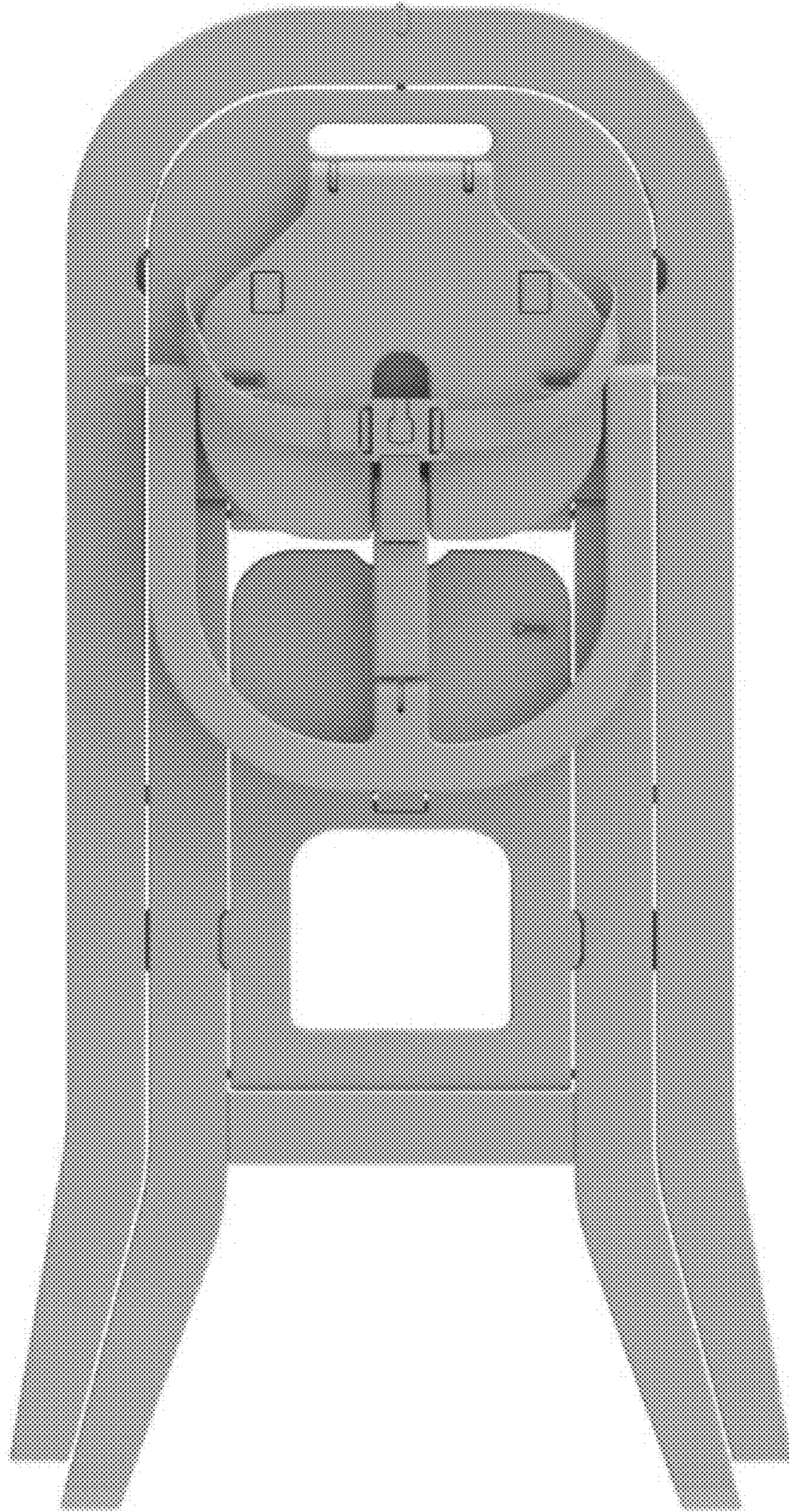
See application file for complete search history.

- 2. Chairs for children
- 2.1 is a front view in a folded position.
- 2.2 is a front view in an open position.
- 2.3 is a side perspective view.
- 2.4 is a top perspective view.
- 2.5 is a front perspective view.
- 2.6 is a rear perspective view.

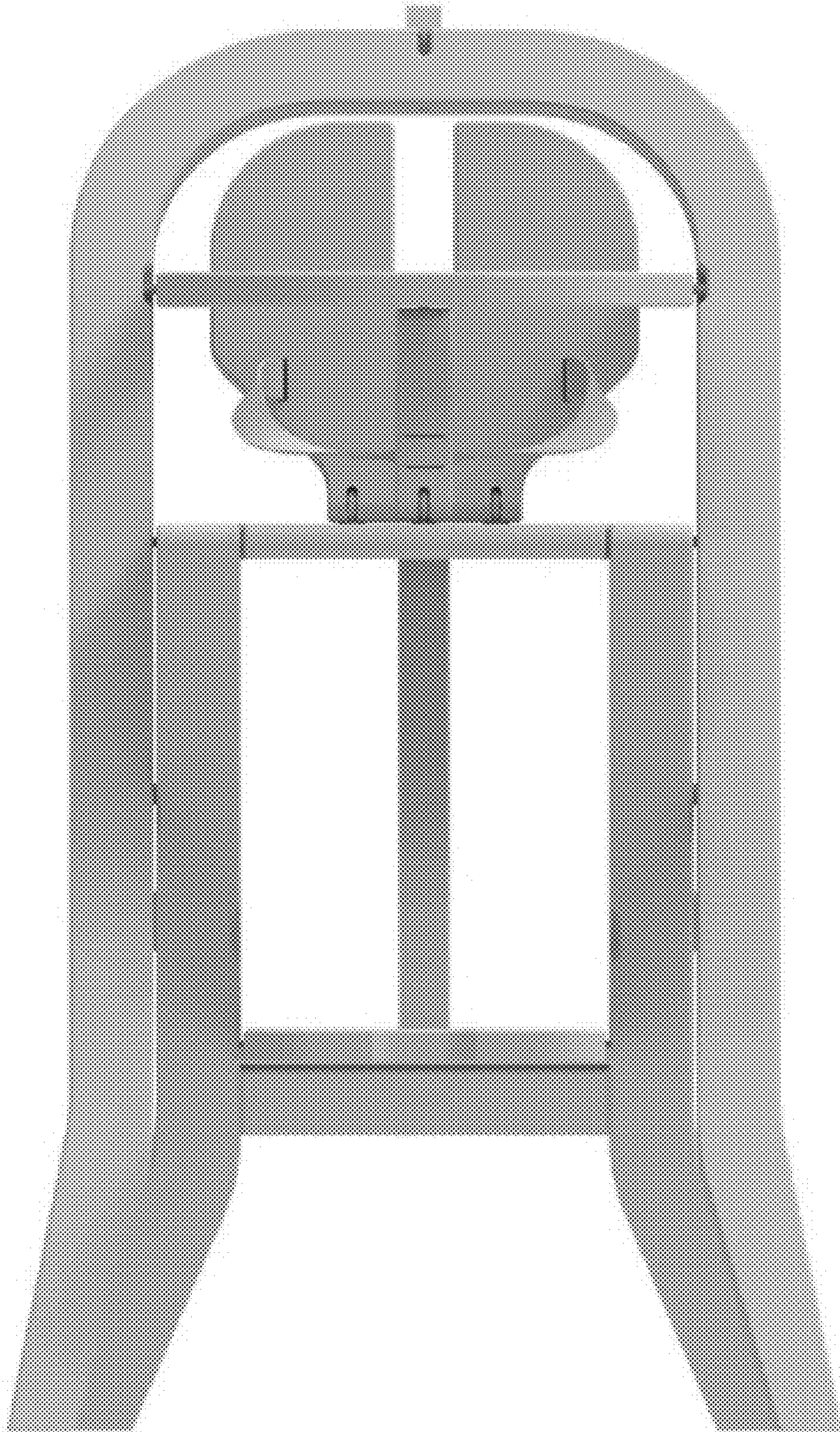
1 Claim, 6 Drawing Sheets



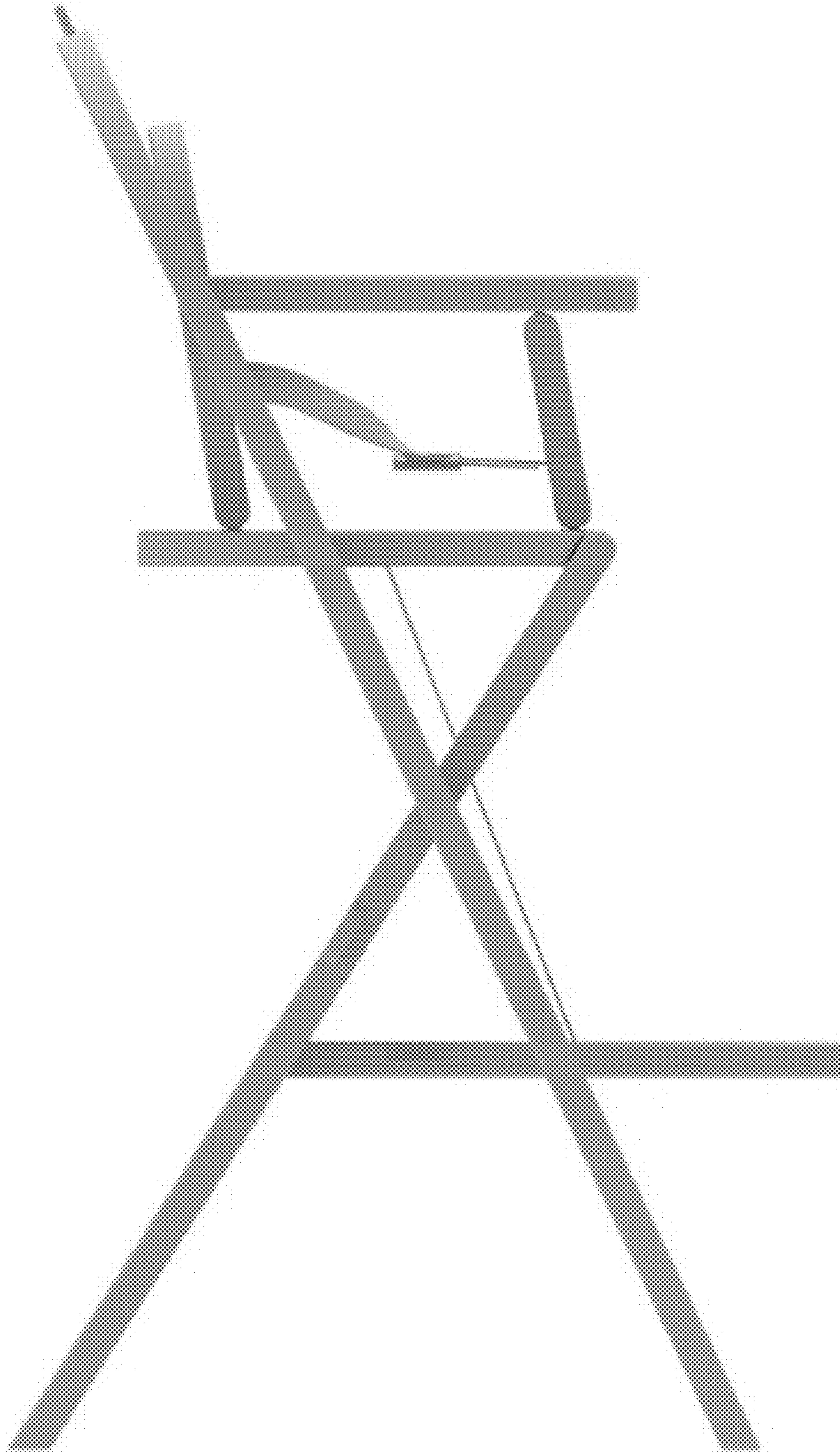
2.1



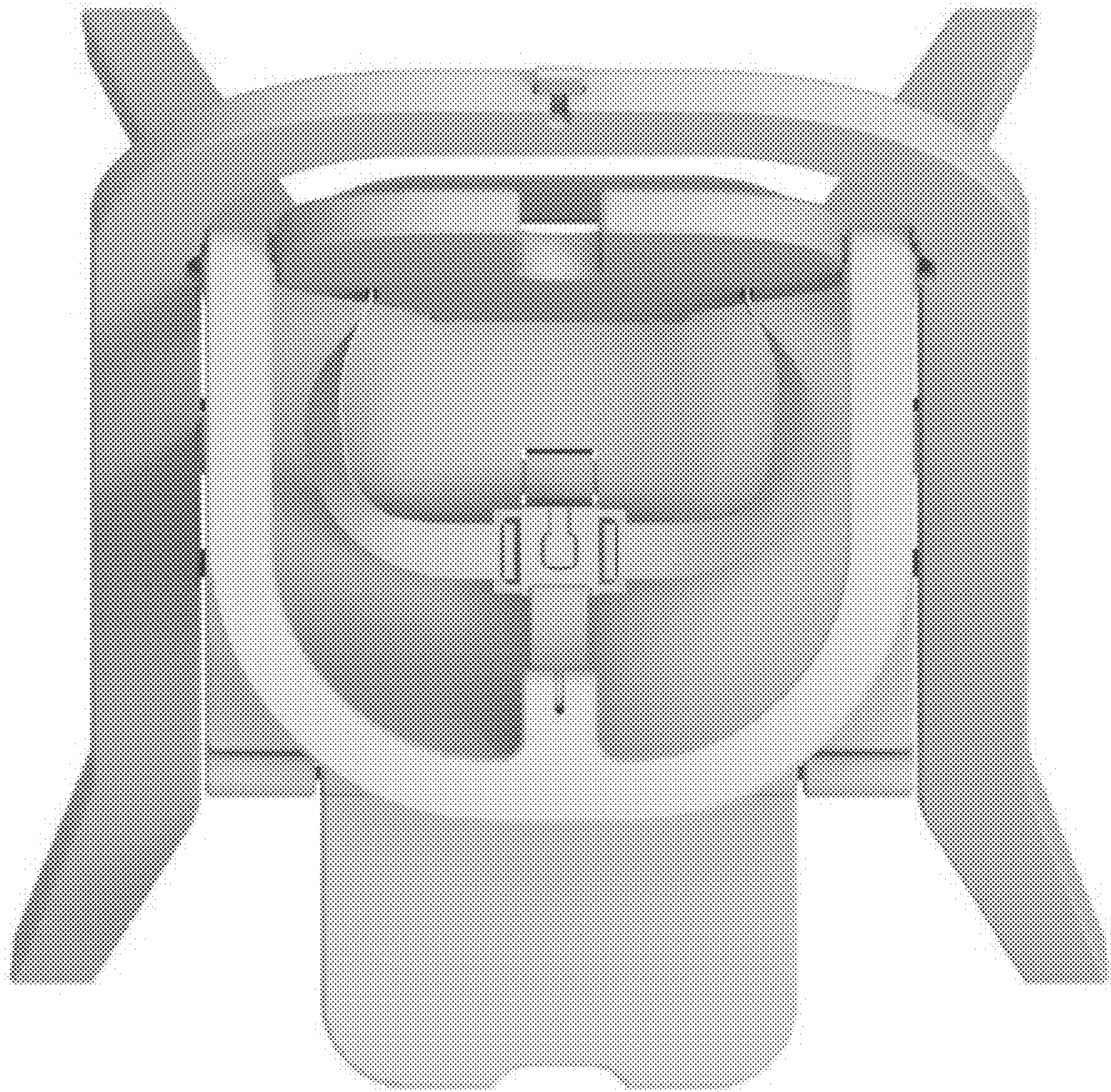
2.2



2.3



2.4



2.5



2.6

