



US00D865379S

(12) **United States Design Patent** (10) **Patent No.:** **US D865,379 S**  
**Clark et al.** (45) **Date of Patent:** **\*\* Nov. 5, 2019**

(54) **HANGER** D225,151 S \* 11/1972 Hart ..... D6/326  
3,744,685 A \* 7/1973 Hart ..... A47G 25/28  
223/96  
(71) Applicant: **TARGET BRANDS, INC.**,  
Minneapolis, MN (US) 3,946,915 A 3/1976 Crane  
D243,138 S 1/1977 Coon  
(72) Inventors: **Jeremy A. Clark**, Minneapolis, MN  
(US); **Richard P. Riedel**, Blaine, MN  
(US); **Terrence J. Hornsby, Jr.**,  
Minneapolis, MN (US); **Timothy**  
**James Martell**, Minneapolis, MN (US) 4,209,879 A \* 7/1980 Paajanen ..... A47G 25/485  
223/96  
4,295,585 A 10/1981 Garrison  
D271,552 S \* 11/1983 Samuels ..... D6/319  
D271,649 S 12/1983 Batts et al.  
D296,847 S \* 7/1988 Kawalek ..... D6/326  
D301,661 S 6/1989 Wilson  
D301,808 S 6/1989 Marshall  
D301,942 S 7/1989 Talbot-Titley  
5,029,739 A 7/1991 Blanchard et al.

(\*\*) Term: **15 Years**

(21) Appl. No.: **29/698,666**

(22) Filed: **Jul. 18, 2019**

**Related U.S. Application Data**

(62) Division of application No. 29/663,593, filed on Sep. 17, 2018.

(51) **LOC (12) Cl.** ..... **06-08**

(52) **U.S. Cl.**  
USPC ..... **D6/328**

(58) **Field of Classification Search**

USPC ..... D6/315-328  
CPC ..... A47G 25/26; A47G 25/28; A47G 25/30;  
A47G 25/32; A47G 25/34; A47G 25/36;  
A47G 25/38; A47G 25/442; A47G  
25/625; A47G 25/743; A47G 25/1407;  
A47G 25/1457; A47G 2025/1492; A47F  
7/18; A47F 7/19; A47F 7/22

See application file for complete search history.

(56) **References Cited**

**U.S. PATENT DOCUMENTS**

D190,843 S \* 7/1961 Levine ..... D6/326  
3,502,251 A \* 3/1970 Hart ..... A47G 25/32  
223/96

(Continued)

*Primary Examiner* — Lauren R Calve

(74) *Attorney, Agent, or Firm* — JoAnn M. Seaton;  
Griffiths & Seaton PLLC

(57) **CLAIM**

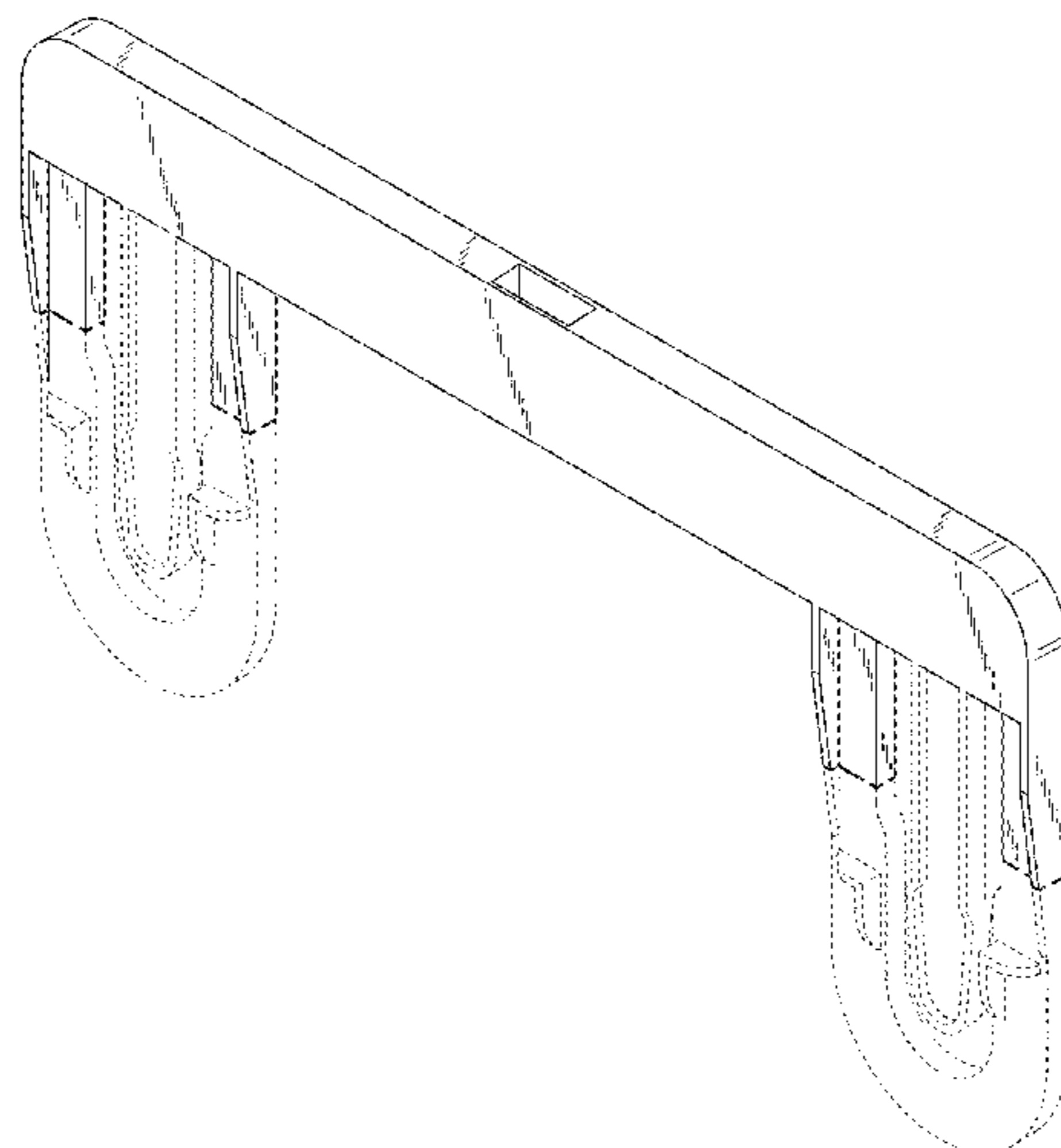
The ornamental design for a hanger, as shown and described.

**DESCRIPTION**

FIG. 1 is a front, top perspective view of a hanger showing our new design;  
FIG. 2 is a rear, top perspective view thereof;  
FIG. 3 is a front view thereof;  
FIG. 4 is rear view thereof;  
FIG. 5 is left side view thereof;  
FIG. 6 is a right side view thereof;  
FIG. 7 is a top view thereof; and,  
FIG. 8 is a bottom view thereof.

The features shown in broken lines are portions of the hanger forming no part of the claimed design. The features shown in long dash-short dash bolded broken lines indicate the bounds of the claimed design and otherwise form no part of the claimed design.

**1 Claim, 5 Drawing Sheets**



(56)

References Cited

U.S. PATENT DOCUMENTS

5,062,556 A 11/1991 Willputz  
 5,082,153 A 1/1992 Duester et al.  
 D323,588 S 2/1992 Pelosi  
 D328,194 S 7/1992 Garrison  
 D352,834 S 11/1994 Norman  
 5,400,932 A 3/1995 Hollis  
 5,516,014 A 5/1996 Garrison  
 5,603,438 A 2/1997 Jugan  
 5,613,630 A 3/1997 Isenga et al.  
 5,890,634 A 4/1999 Zuckerman et al.  
 D414,946 S 10/1999 Gouldson  
 D415,357 S 10/1999 Blanchard  
 D417,557 S \* 12/1999 Blanchard ..... D6/326  
 6,019,261 A 2/2000 Morgan et al.  
 D423,235 S 4/2000 Bond et al.  
 6,050,461 A 4/2000 Batts et al.  
 D429,898 S 8/2000 Morgan et al.  
 D433,822 S 11/2000 Sullivan  
 D435,173 S 12/2000 Morgan et al.  
 D436,743 S 1/2001 Batts et al.  
 D439,419 S 3/2001 Zuckerman  
 6,202,906 B1 3/2001 Zuckerman  
 D440,409 S \* 4/2001 Blanchard ..... D6/326  
 D440,777 S 4/2001 Giustini  
 6,241,133 B1 6/2001 Morgan et al.  
 D449,743 S \* 10/2001 Morgan ..... D6/326  
 D450,463 S 11/2001 Wong et al.  
 6,382,478 B2 5/2002 Gouldson et al.  
 D463,918 S 10/2002 Goldman et al.  
 D464,814 S 10/2002 De Winter et al.  
 6,457,615 B1 10/2002 Lam  
 D472,062 S 3/2003 Yegavian et al.  
 6,612,000 B2 9/2003 Housley  
 6,622,897 B2 9/2003 Bokmiller et al.  
 D498,936 S 11/2004 Gouldson  
 D502,011 S 2/2005 Gouldson  
 D502,328 S 3/2005 Gouldson  
 D503,545 S 4/2005 Gosselin et al.  
 D504,024 S 4/2005 Mainetti  
 6,896,163 B2 5/2005 Louw  
 D506,320 S 6/2005 Gouldson  
 D518,839 S 4/2006 Singleton

D519,139 S 4/2006 Singleton  
 7,089,599 B2 8/2006 Gouldson et al.  
 7,104,428 B2 9/2006 Gouldson  
 7,121,439 B2 10/2006 Gouldson et al.  
 7,290,687 B2 11/2007 Wu  
 7,387,223 B2 6/2008 Misumi  
 7,455,203 B2 11/2008 Gouldson et al.  
 7,537,142 B2 5/2009 Yau et al.  
 7,556,180 B1 7/2009 Hansen et al.  
 D601,356 S 10/2009 Jones  
 D606,324 S 12/2009 Jones  
 D606,766 S 12/2009 Warren  
 D607,218 S 1/2010 Warren  
 D612,619 S 3/2010 Gouldson  
 D612,620 S 3/2010 Gouldson  
 D613,078 S 4/2010 Gouldson  
 D616,652 S 6/2010 Warren  
 D622,972 S 9/2010 Jones  
 7,832,603 B2 11/2010 Gouldson  
 7,832,604 B2 11/2010 Gouldson  
 D628,819 S 12/2010 Mazzotta  
 7,938,300 B2 5/2011 Diamond et al.  
 D655,924 S 3/2012 Gouldson  
 8,267,287 B2 9/2012 Gouldson  
 D670,920 S 11/2012 Jones  
 D681,352 S 5/2013 Jones  
 D684,383 S 6/2013 Chan  
 D716,062 S 10/2014 Gouldson  
 8,925,770 B1 1/2015 Garcia  
 D759,392 S \* 6/2016 Yau ..... D6/328  
 D770,189 S 11/2016 Choy  
 9,510,702 B2 12/2016 Yau  
 D815,845 S 4/2018 Clark et al.  
 D831,986 S 10/2018 Clark et al.  
 D831,987 S 10/2018 Clark et al.  
 D843,742 S 3/2019 Clark et al.  
 2003/0209577 A1 11/2003 Gouldson et al.  
 2004/0099700 A1 5/2004 Misumi  
 2006/0163294 A1 7/2006 Sutton et al.  
 2006/0278671 A1 12/2006 Gouldson  
 2007/0075104 A1 4/2007 Yau  
 2010/0193553 A1 8/2010 Gouldson  
 2010/0252588 A1 10/2010 Gouldson et al.  
 2015/0060500 A1 3/2015 Yau

\* cited by examiner

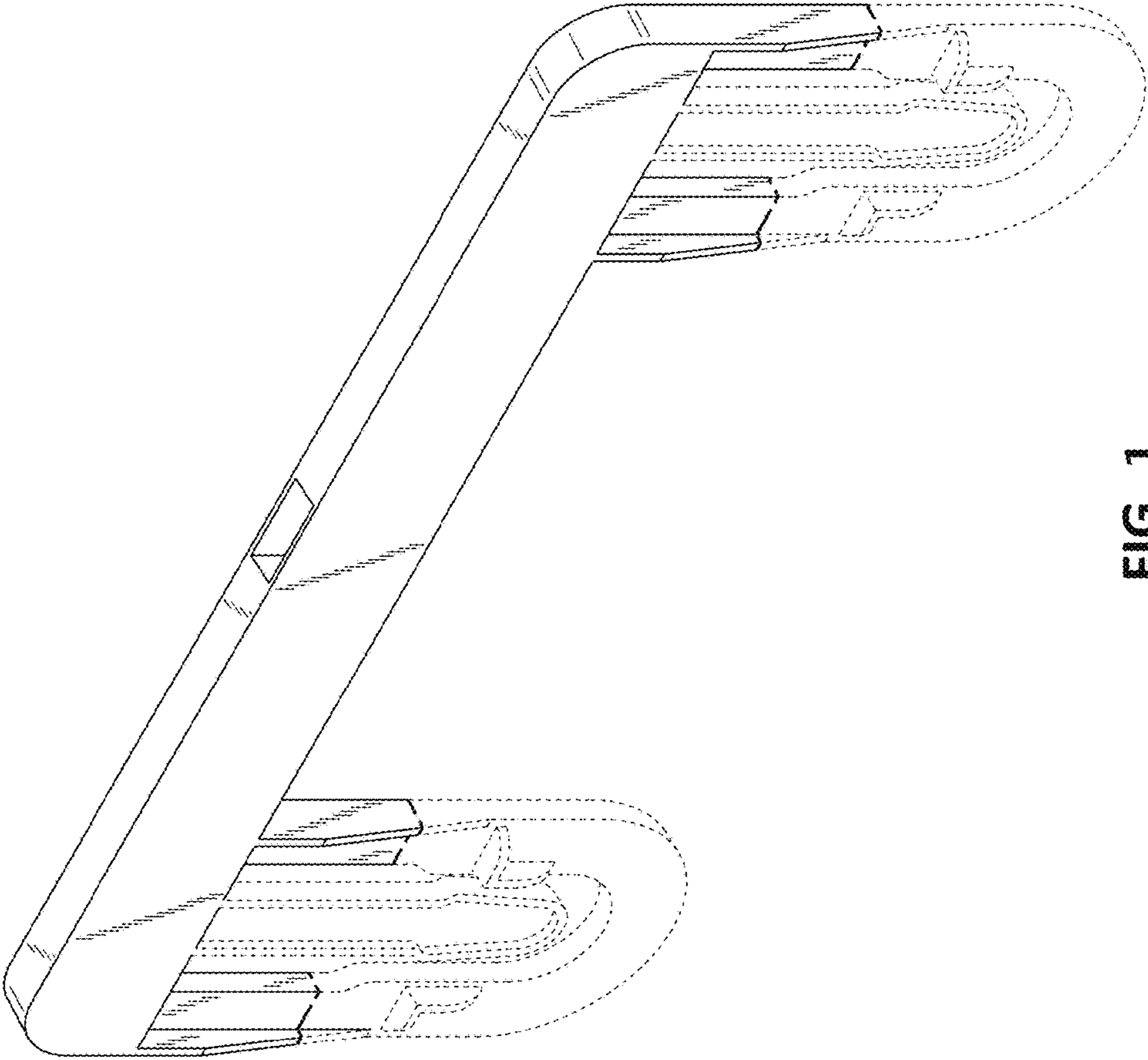


FIG. 1

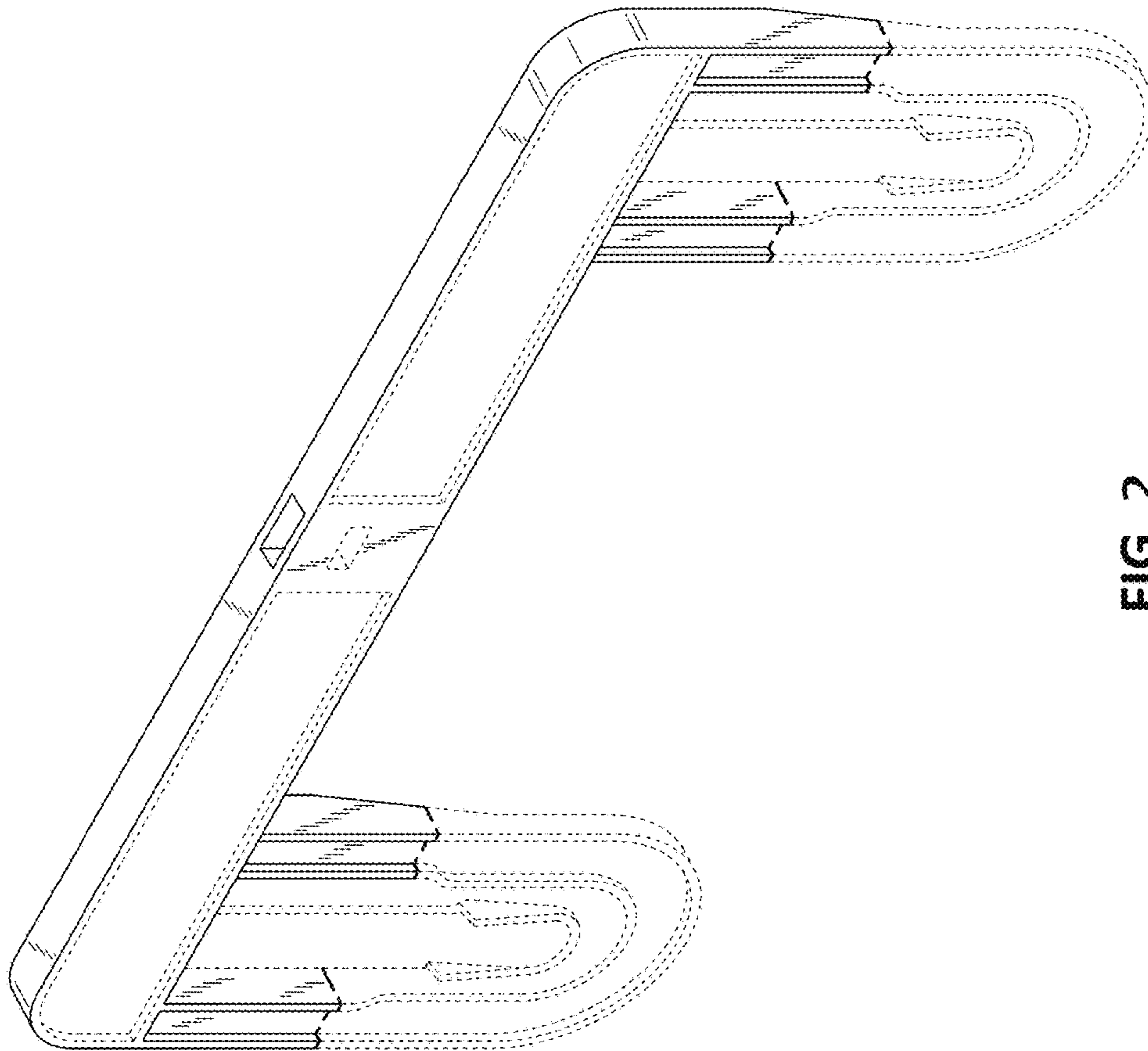


FIG. 2

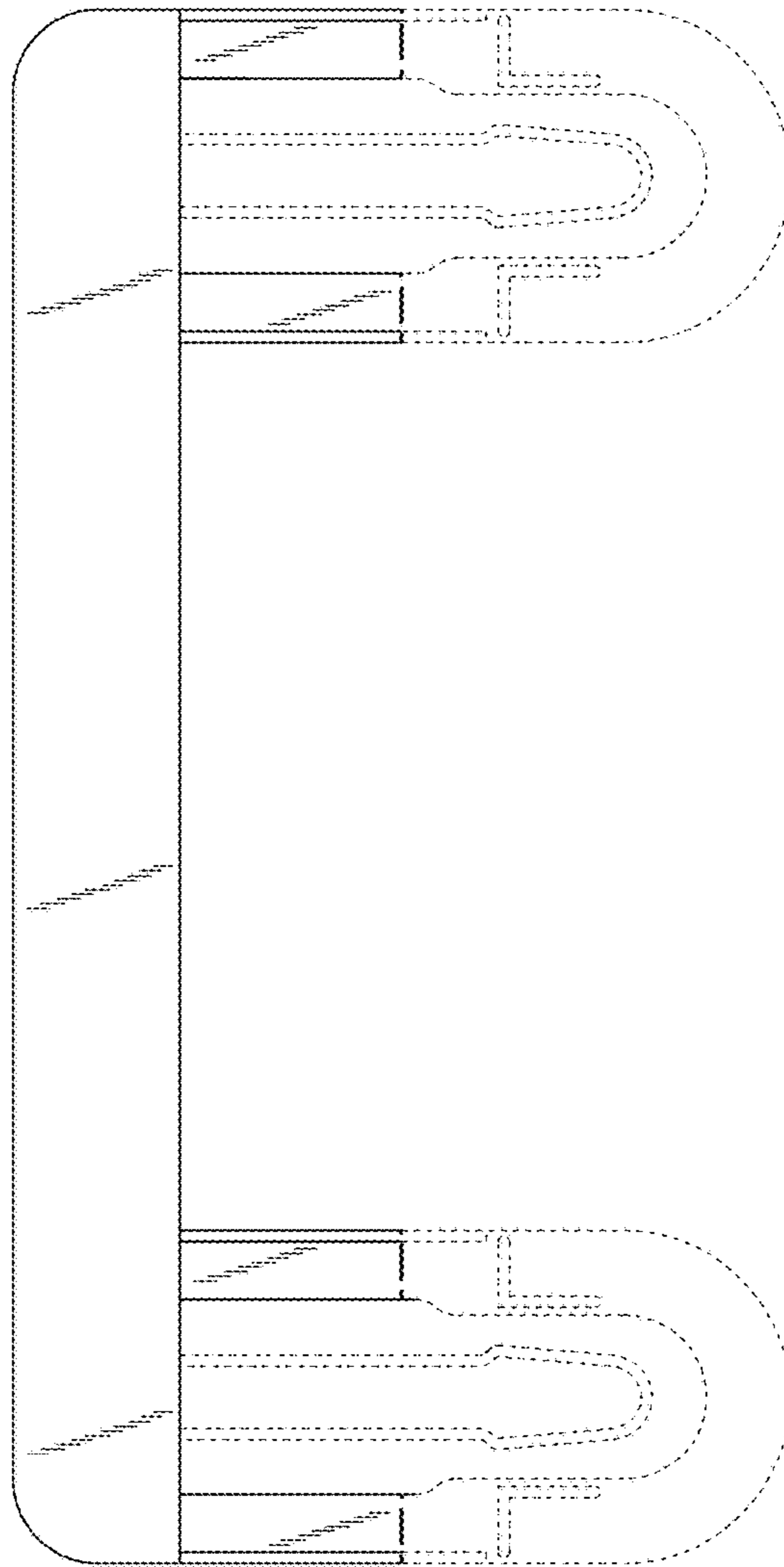


FIG. 3

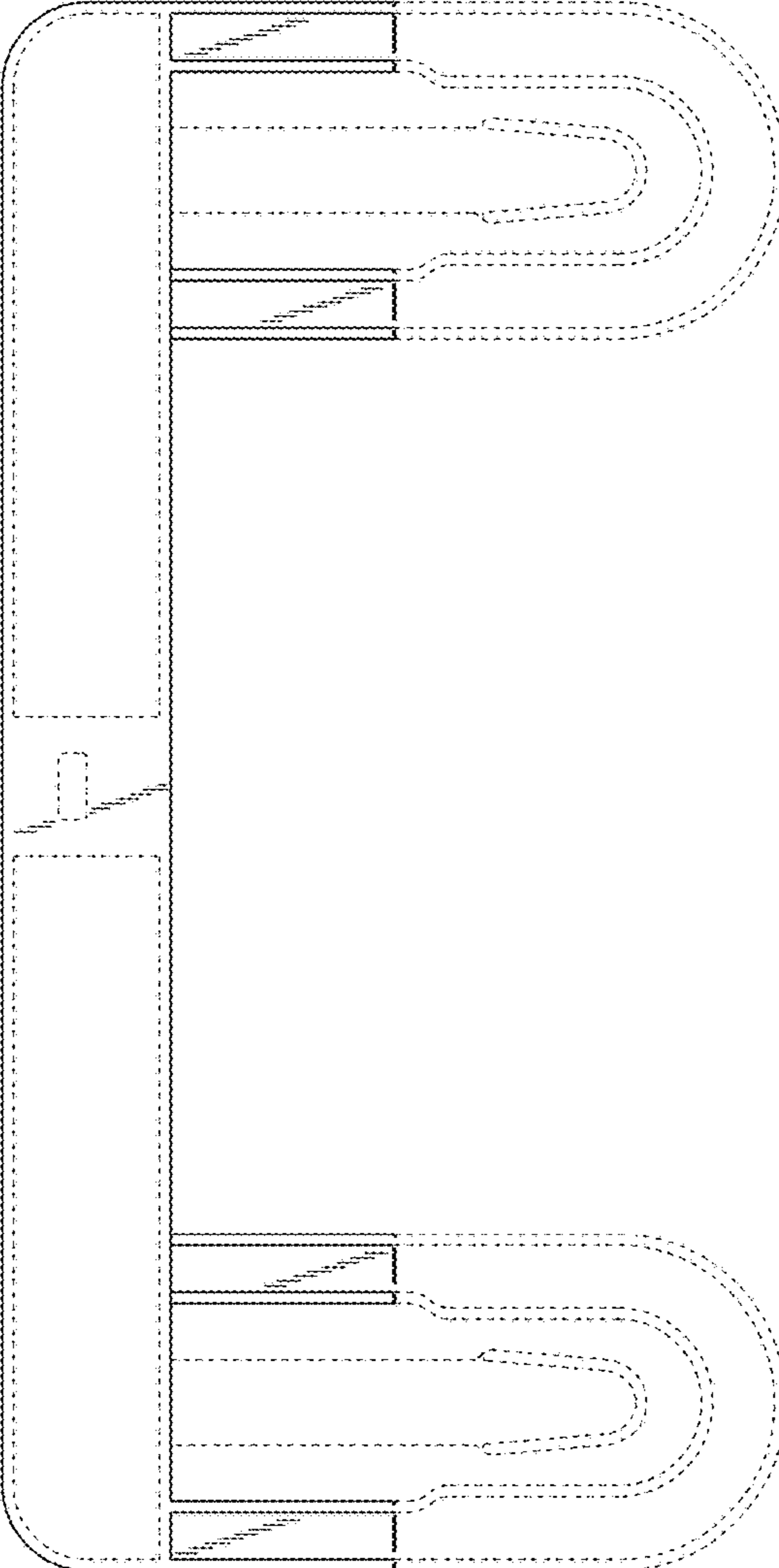


FIG. 4

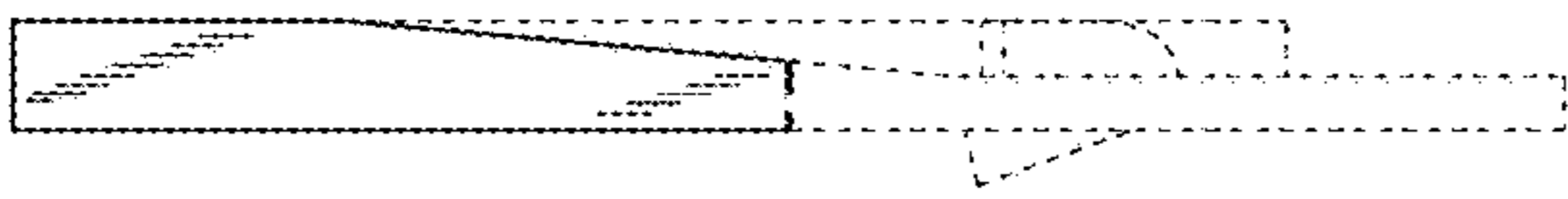


FIG. 5

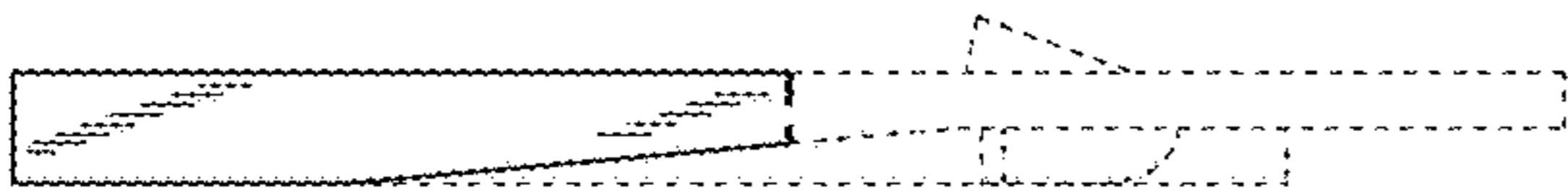


FIG. 6

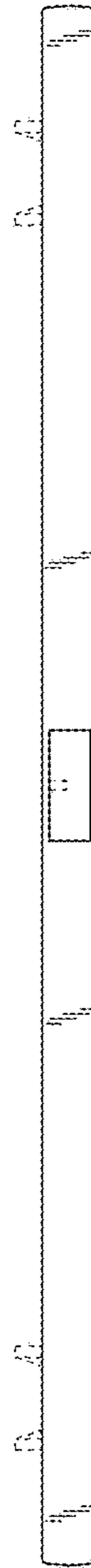


FIG. 7

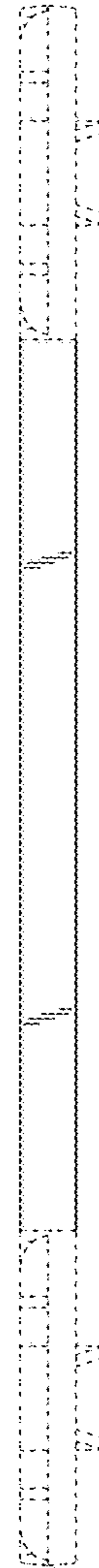


FIG. 8