



US00D865375S

(12) **United States Design Patent** (10) **Patent No.:** **US D865,375 S**
Yang (45) **Date of Patent:** **** Nov. 5, 2019**

- (54) **BATHROOM MIRROR**
- (71) Applicant: **DONGGUAN POWERME PLASTIC MFG. CO., LTD.**, Dongguan (CN)
- (72) Inventor: **Guowei Yang**, Dongguan (CN)
- (73) Assignee: **DONGGUAN POWERME PLASTIC MFG. CO., LTD.**, Dongguan (CN)
- (**) Term: **15 Years**
- (21) Appl. No.: **29/697,734**
- (22) Filed: **Jul. 11, 2019**
- (51) **LOC (12) Cl.** **06-06**
- (52) **U.S. Cl.**
USPC **D6/310; D6/309; D6/308**
- (58) **Field of Classification Search**
USPC **D6/300–314**
CPC **A47G 1/00; A47G 2001/002; A45D 42/10; F21V 33/004**
See application file for complete search history.

(56) **References Cited**

U.S. PATENT DOCUMENTS

D336,721 S *	6/1993	Froidevaux	D6/300
D639,077 S *	6/2011	DeBretton Gordon	D6/310
D646,493 S *	10/2011	Yang	D6/300
D661,910 S *	6/2012	Yang	D6/312
D679,102 S *	4/2013	Gilboe	D6/309
D737,060 S *	8/2015	Yang	D6/309
D793,099 S *	8/2017	Bailey	D14/172
D812,383 S *	3/2018	Kwiatkowski	D6/300
D825,204 S *	8/2018	Umholtz	D6/300
D825,206 S *	8/2018	Liu	D6/310

(Continued)

OTHER PUBLICATIONS

“BRIGHTINWD 5X LED Wall Mounted Makeup Mirror with Dimmable Lights Stainless Steel Magnifying Wall Bathroom Mirror

Touch Screen/USB & AAA Batteries Double Source”, Retrieved Jul. 10, 2019]. Retrieved from Internet, [https://www.amazon.com/BRIGHTINWD-Dimmable Stainless-Magnifying-Batteries/dp/B07HFVMWSX?th=1](https://www.amazon.com/BRIGHTINWD-Dimmable-Stainless-Magnifying-Batteries/dp/B07HFVMWSX?th=1).

(Continued)

Primary Examiner — Deanna L Pratt

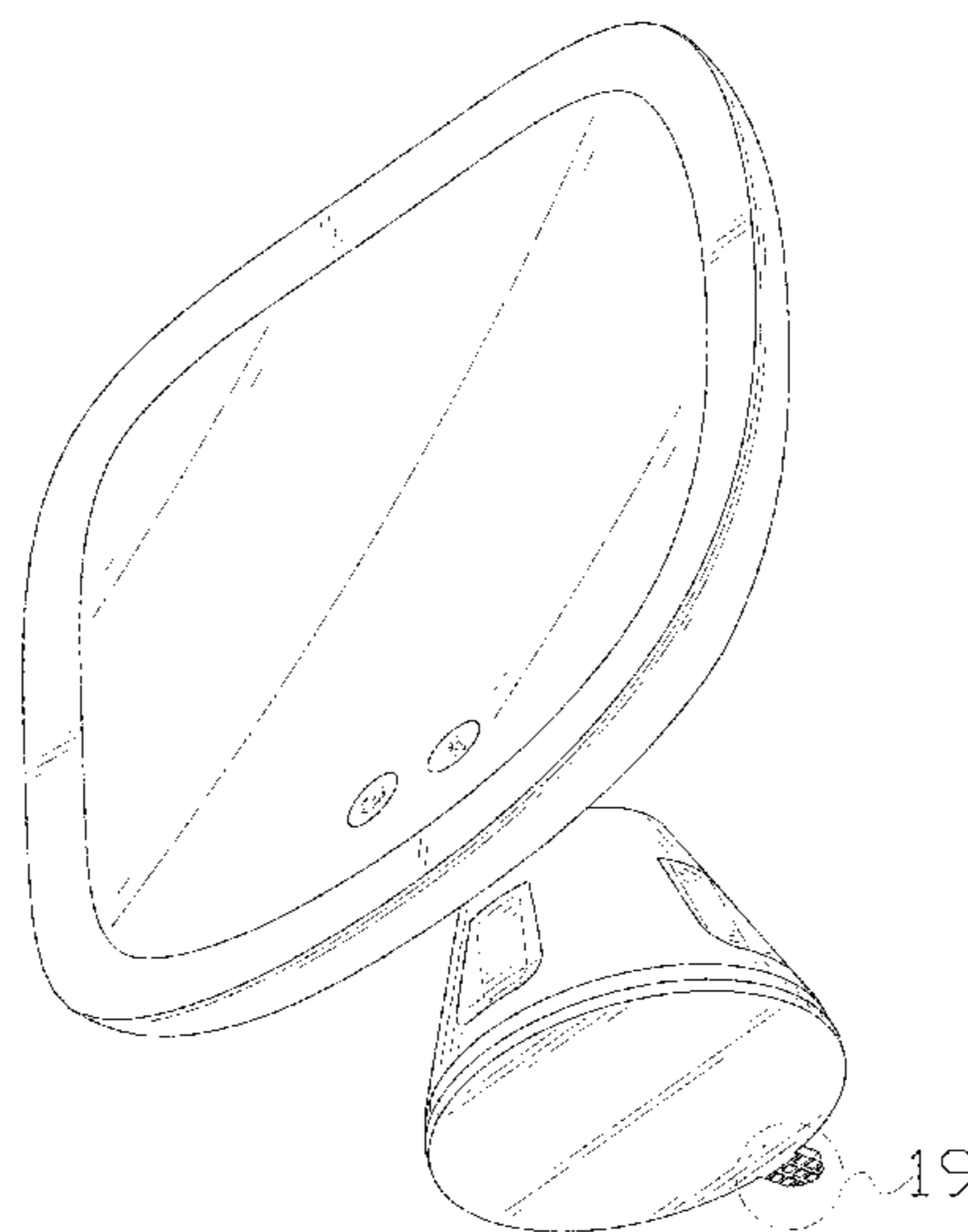
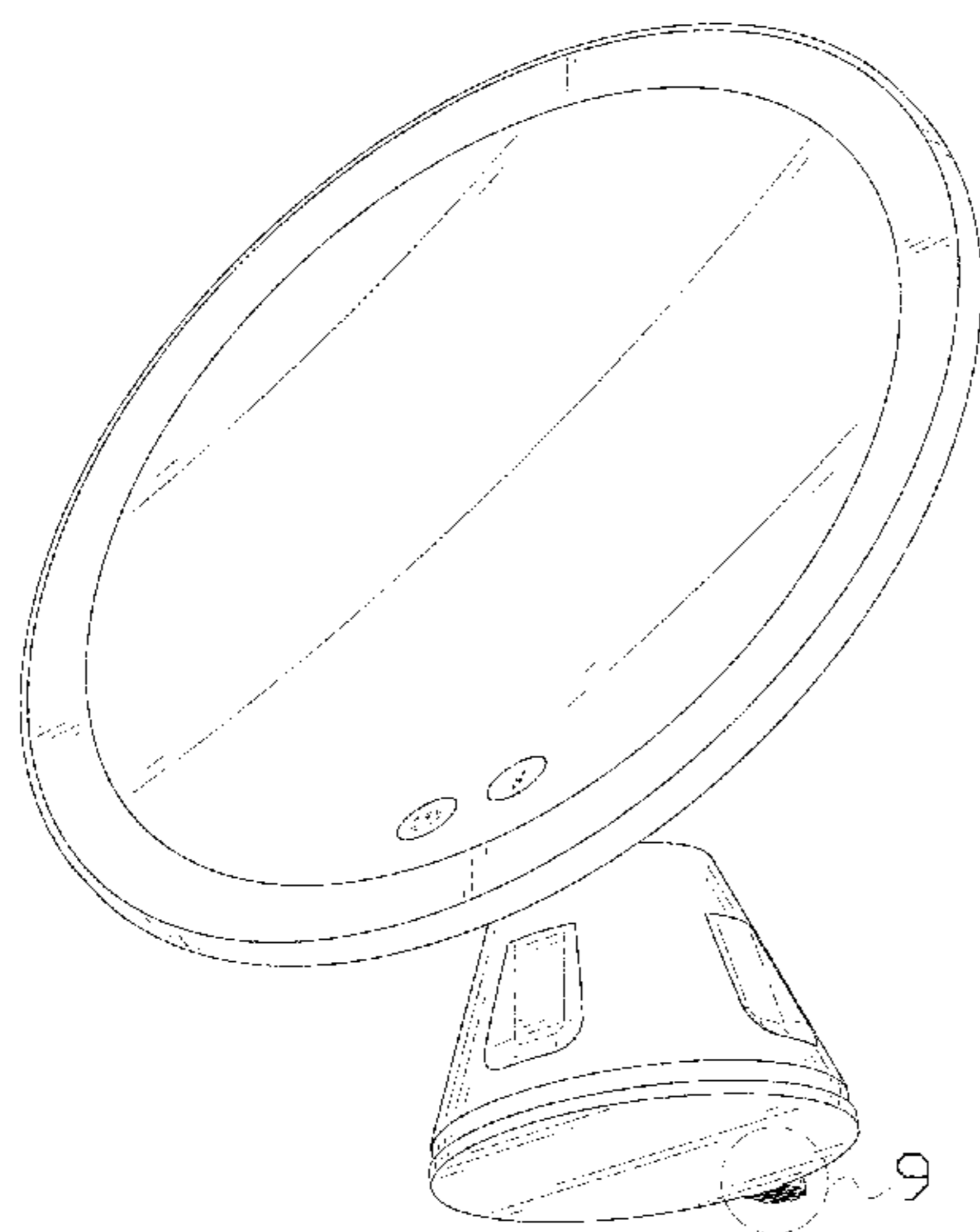
(57) **CLAIM**

The ornamental design for a bathroom mirror, as shown and described.

DESCRIPTION

FIG. 1 is a perspective view of a first embodiment of a bathroom mirror showing my new design; FIG. 2 is another perspective view thereof; FIG. 3 is a front elevational view thereof; FIG. 4 is a rear elevational view thereof; FIG. 5 is a left side elevational view thereof; FIG. 6 is a right side elevational view thereof; FIG. 7 is a top plan view thereof; FIG. 8 is a bottom plan view thereof; FIG. 9 is an enlarge view of portion 9 shown in FIG. 1; FIG. 10 is an enlarge view of portion 10 shown in FIG. 2; FIG. 11 is a perspective view of a second embodiment of the bathroom mirror showing my new design; FIG. 12 is another perspective view thereof; FIG. 13 is a front elevational view thereof; FIG. 14 is a rear elevational view thereof; FIG. 15 is a left side elevational view thereof; FIG. 16 is a right side devotional view thereof; FIG. 17 is a top plan view thereof; FIG. 18 is a bottom plan view thereof; FIG. 19 is an enlarge view of portion 9 shown in FIG. 11; and, FIG. 20 is an enlarge view of portion 10 shown in FIG. 12. The broken lines in the drawings depict portions of the bathroom mirror that form no part of the claimed design.

1 Claim, 20 Drawing Sheets



(56)

References Cited

U.S. PATENT DOCUMENTS

D830,070	S	*	10/2018	Liu	D6/309
D840,699	S	*	2/2019	Xie	D6/309
D841,342	S	*	2/2019	Melocchi	D6/309
D853,736	S	*	7/2019	Long	D6/310
2018/0270410	A1	*	9/2018	Lyle	H04N 5/23216
2019/0003699	A1	*	1/2019	Mondora	A45D 42/10

OTHER PUBLICATIONS

“Homdox 7” LED Double Sided Swivel Wall Mount Vanity Mirror—5X Magnification, 360° Rotating Extendable Arm, Natural Light for Makeup, Shaving in Bathroom or Bedroom (7 Inch 5X)”, Retrieved Jul. 10, 2019]. Retrieved from Internet, <https://www.amazon.com/Homdox-Magnifying-Cosmetic-Bathroom-Batteries/dp/B07DRD9PHG>.

“SunplusTrade Led 7X Magnifying Makeup Mirror Lighted Vanity Bathroom Square Mirror with 360 Degree Swivel Rotation, Flexible

Gooseneck, and Locking Suction”, Retrieved Jul. 10, 2019]. Retrieved from Internet, <https://www.amazon.com/SunplusTrade-Magnifying-Bathroom-Rotation-Gooseneck/dp/B073V877RL>.

“10X Magnifying Flexible Makeup Mirror—TOP4EVER 8” LED Gooseneck Mirror with light, Strong Locking Suction Cup, 360 Degree Swivel Rotation”, Retrieved Jul. 10, 2019]. Retrieved from Internet, <https://www.amazon.com/dp/B07PDL3KS6>.

“KEDSUM 9” Rechargeable 10x Magnifying LED Lighted Makeup Mirror, Dimmable Vanity Mirror with Dual Suction Cup, Touch Switch and ON/Off Button, 360 Degrees Rotation. Daylight Color, USB Operated”. Retrieved Jul. 10, 2019]. Retrieved from Internet, <https://www.amazon.com/KEDSUM-Rechargeable-Magnifying-Dimmable-Rotation/dp/B07DPQHQL>.

“Easehold Lighted Shower Mirror Makeup Magnifying Mirror Rechargeable Bathroom Vanity with 25 Led Lights Strong Adsorption 360° Rotation for Home Travel (2019 Newest)”, Retrieved Jul. 10, 2019]. Retrieved from Internet, <https://www.amazon.com/dp/B07L3R2BJ5>.

* cited by examiner

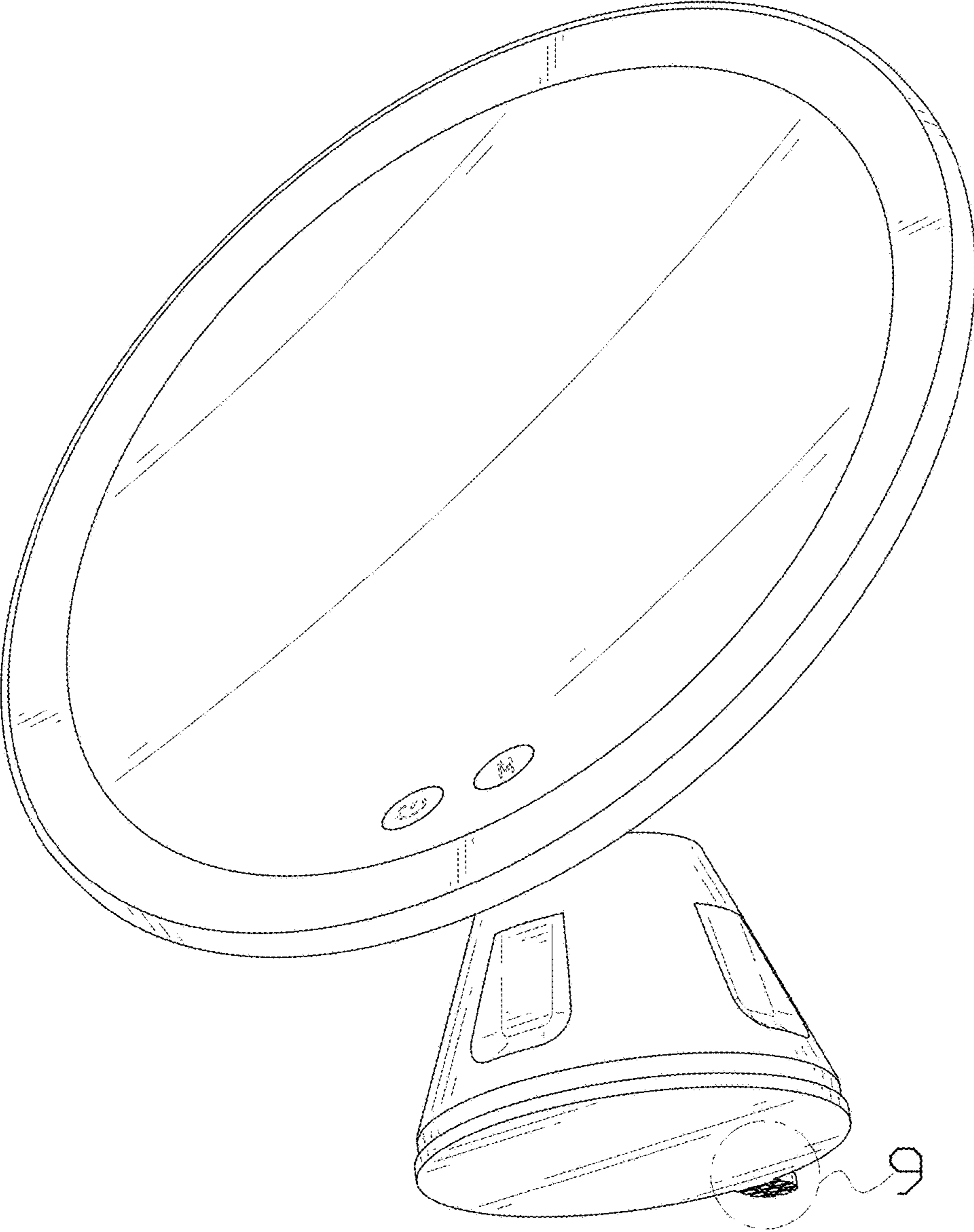


FIG. 1

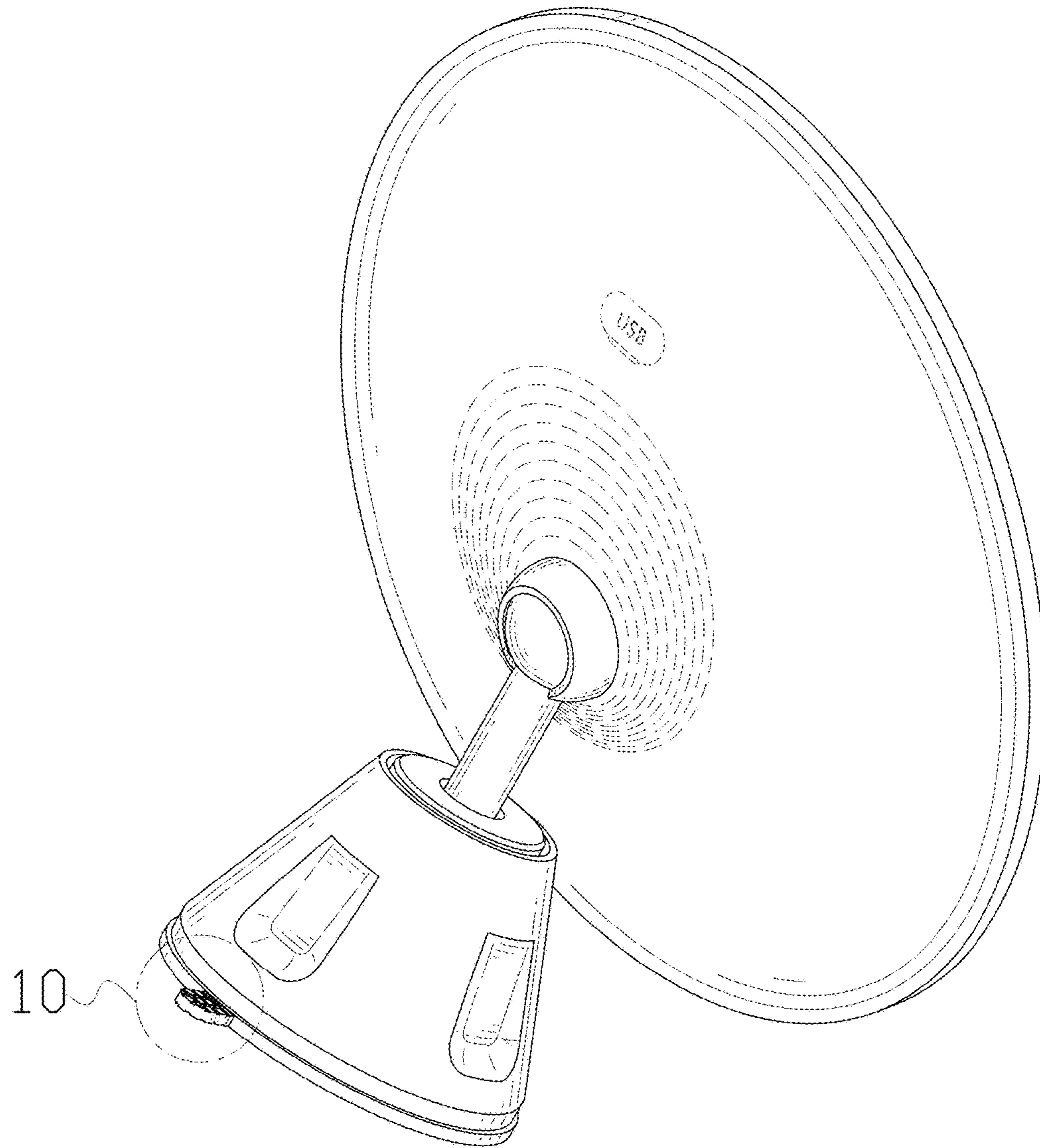


FIG. 2

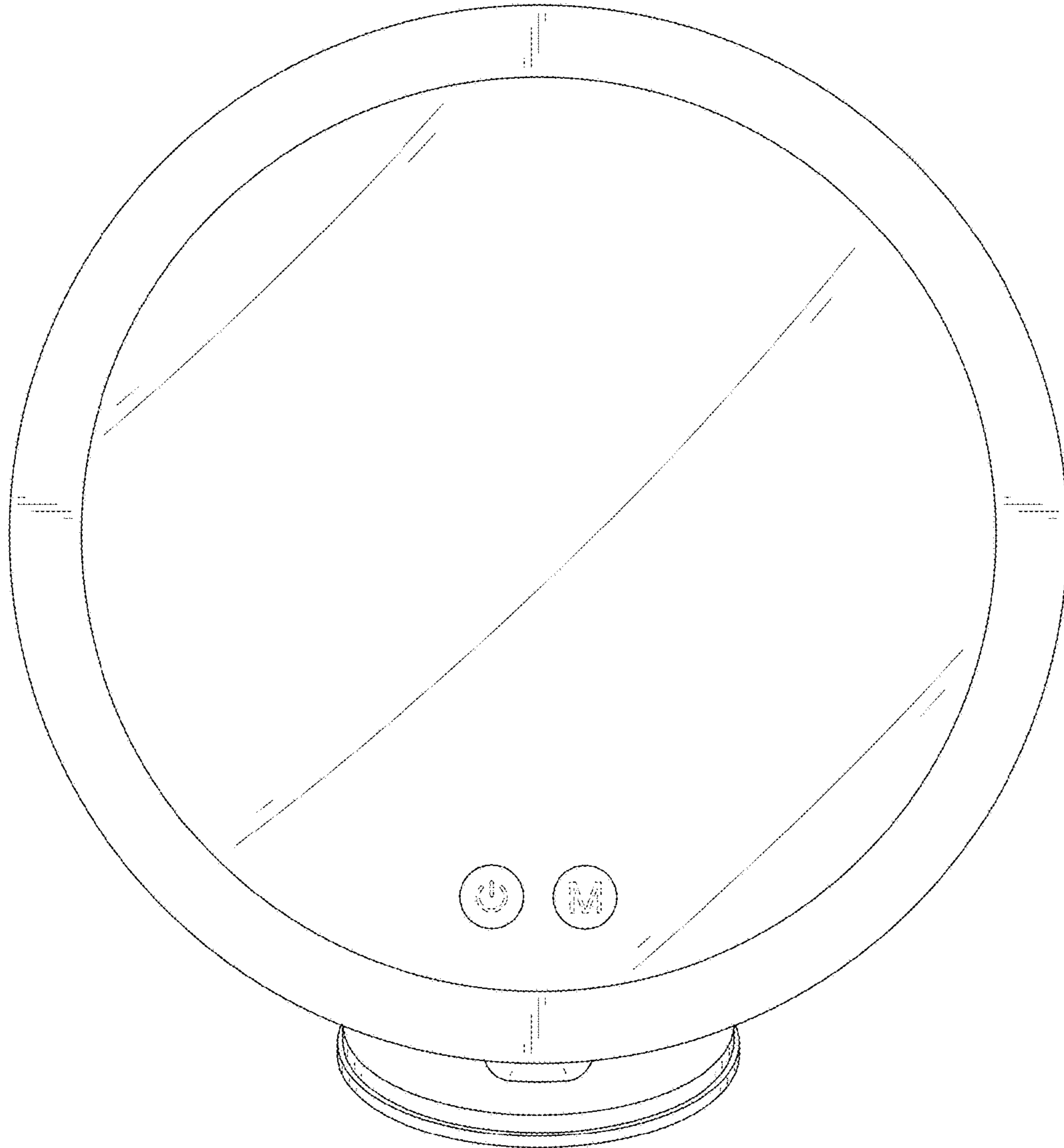


FIG. 3

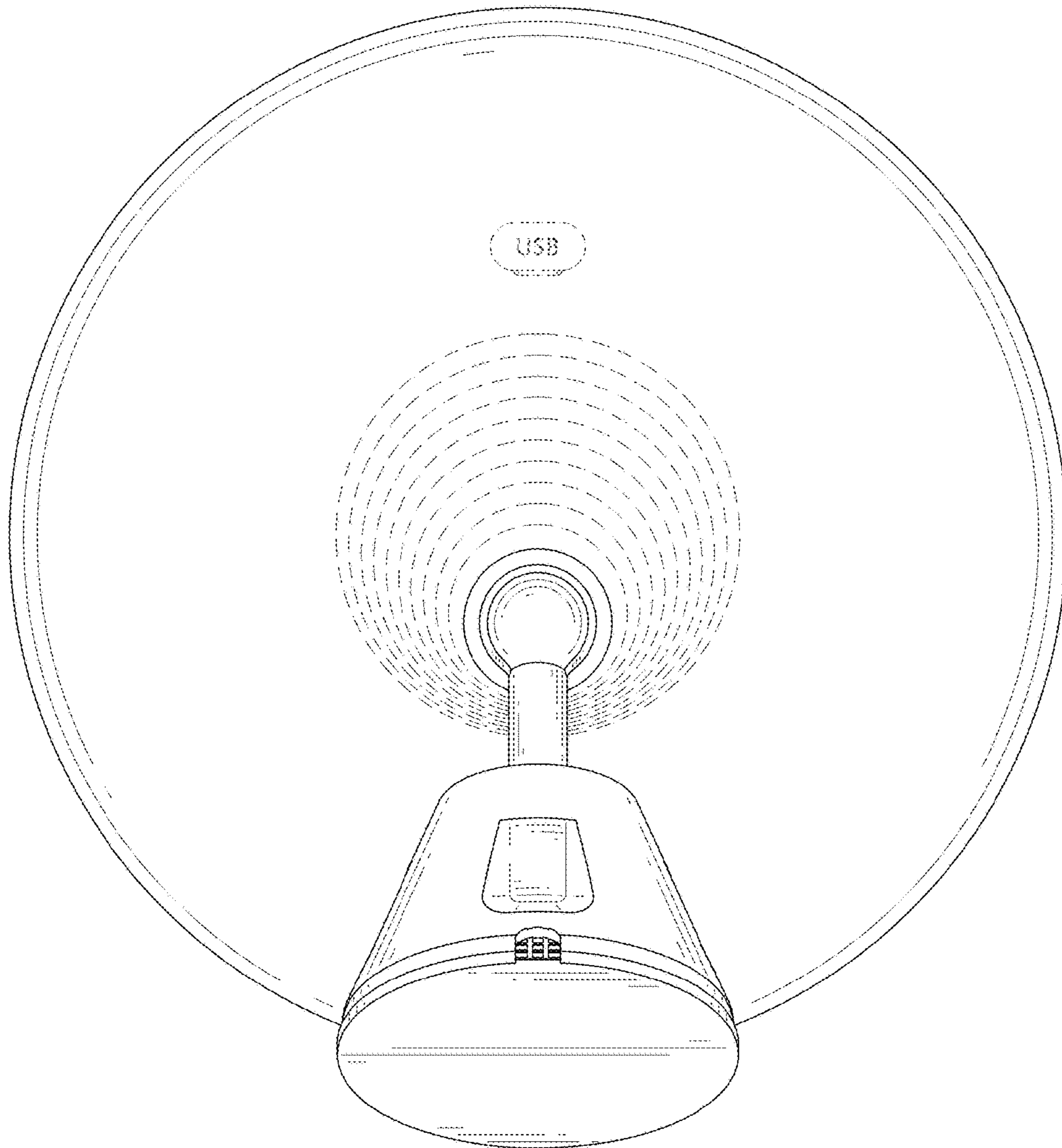


FIG. 4

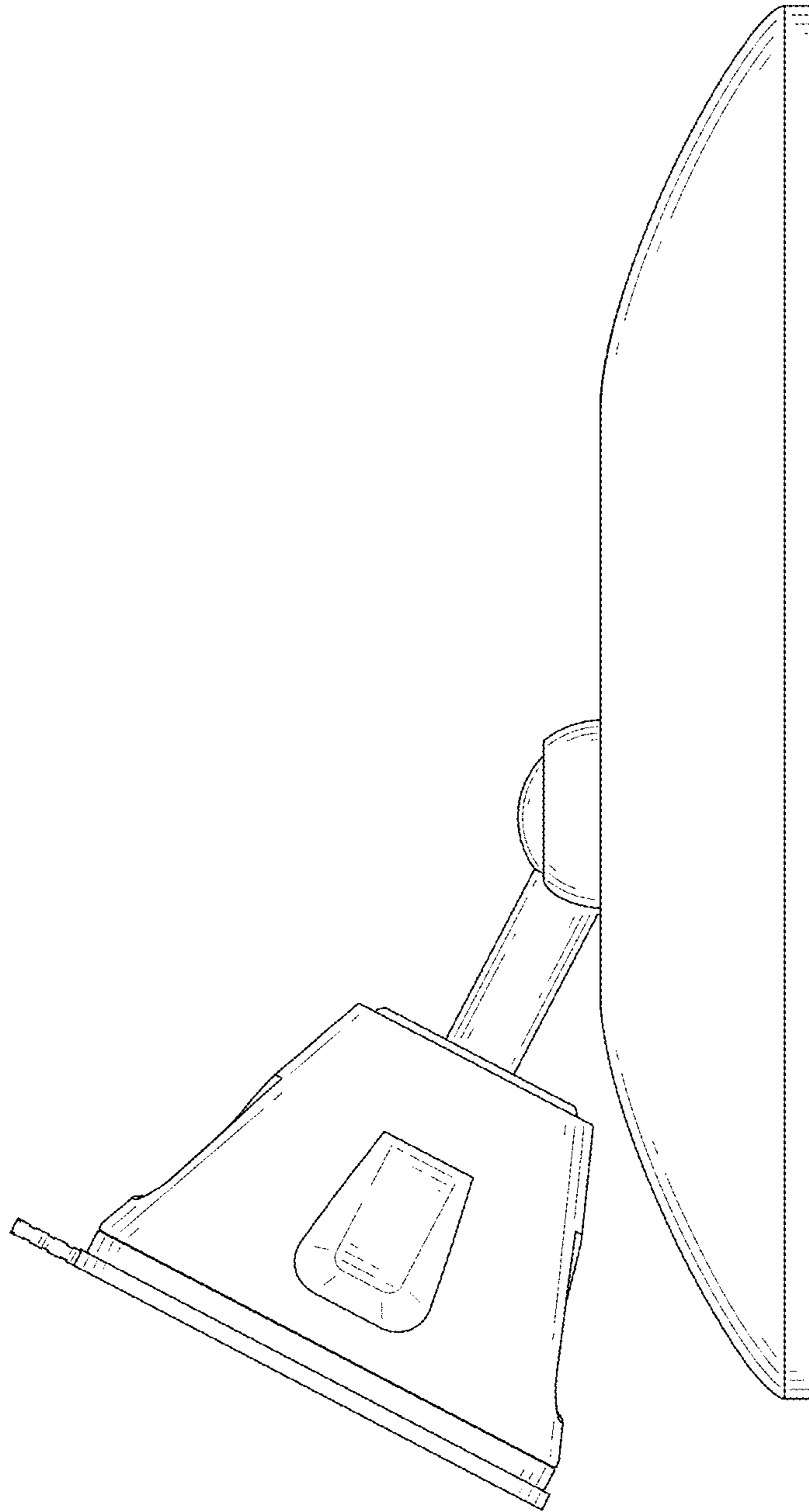


FIG. 5

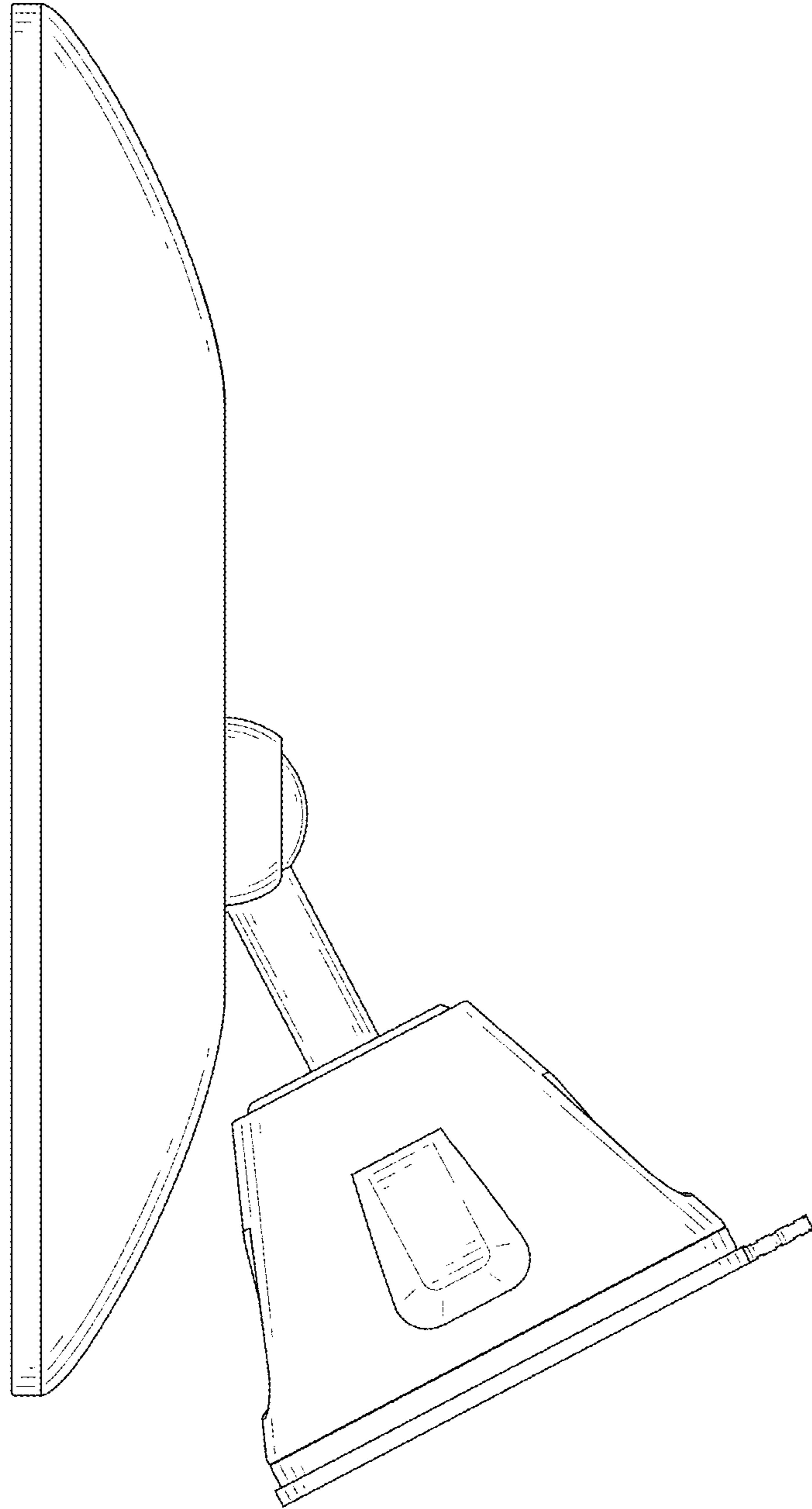


FIG. 6

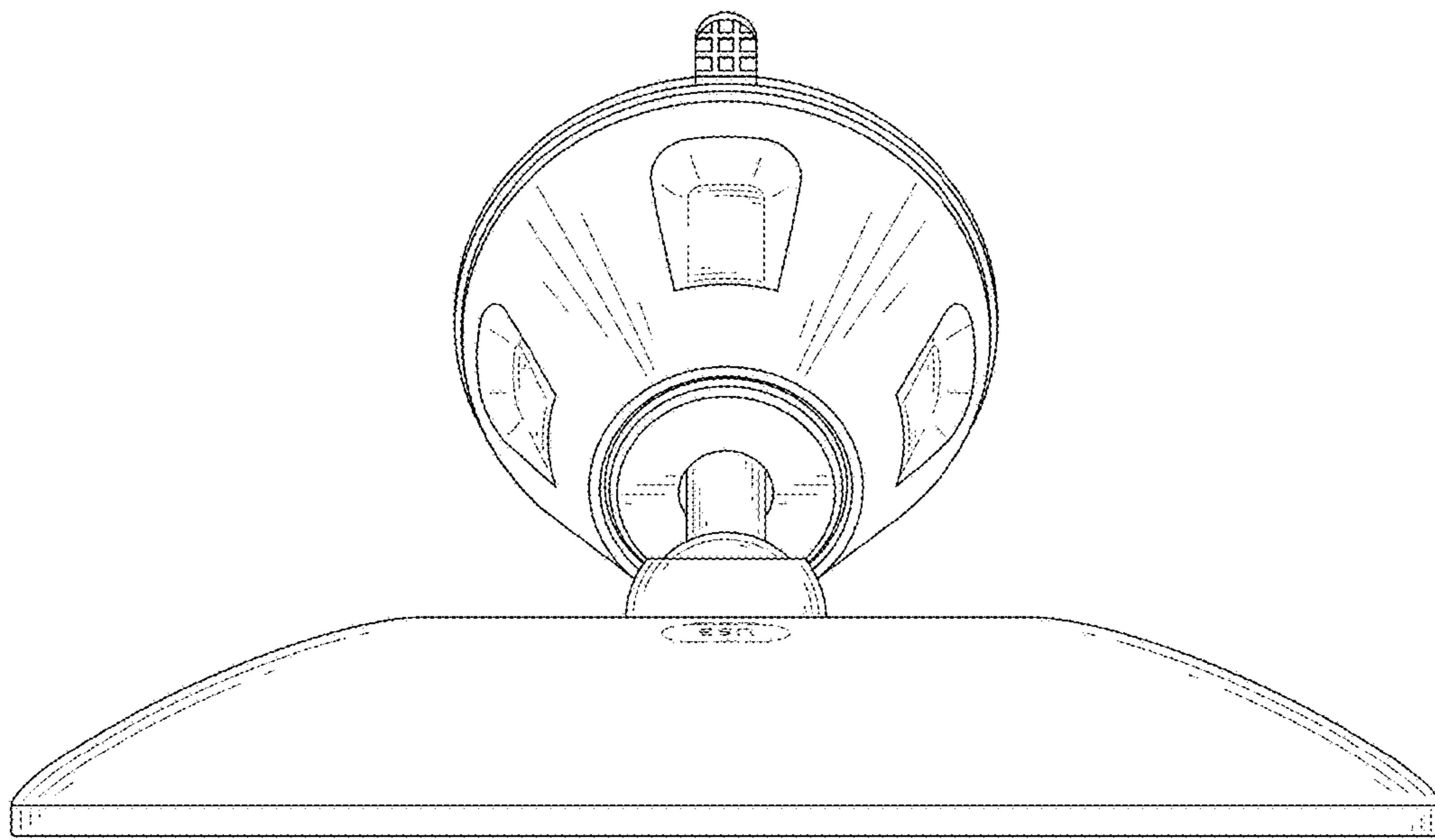


FIG. 7

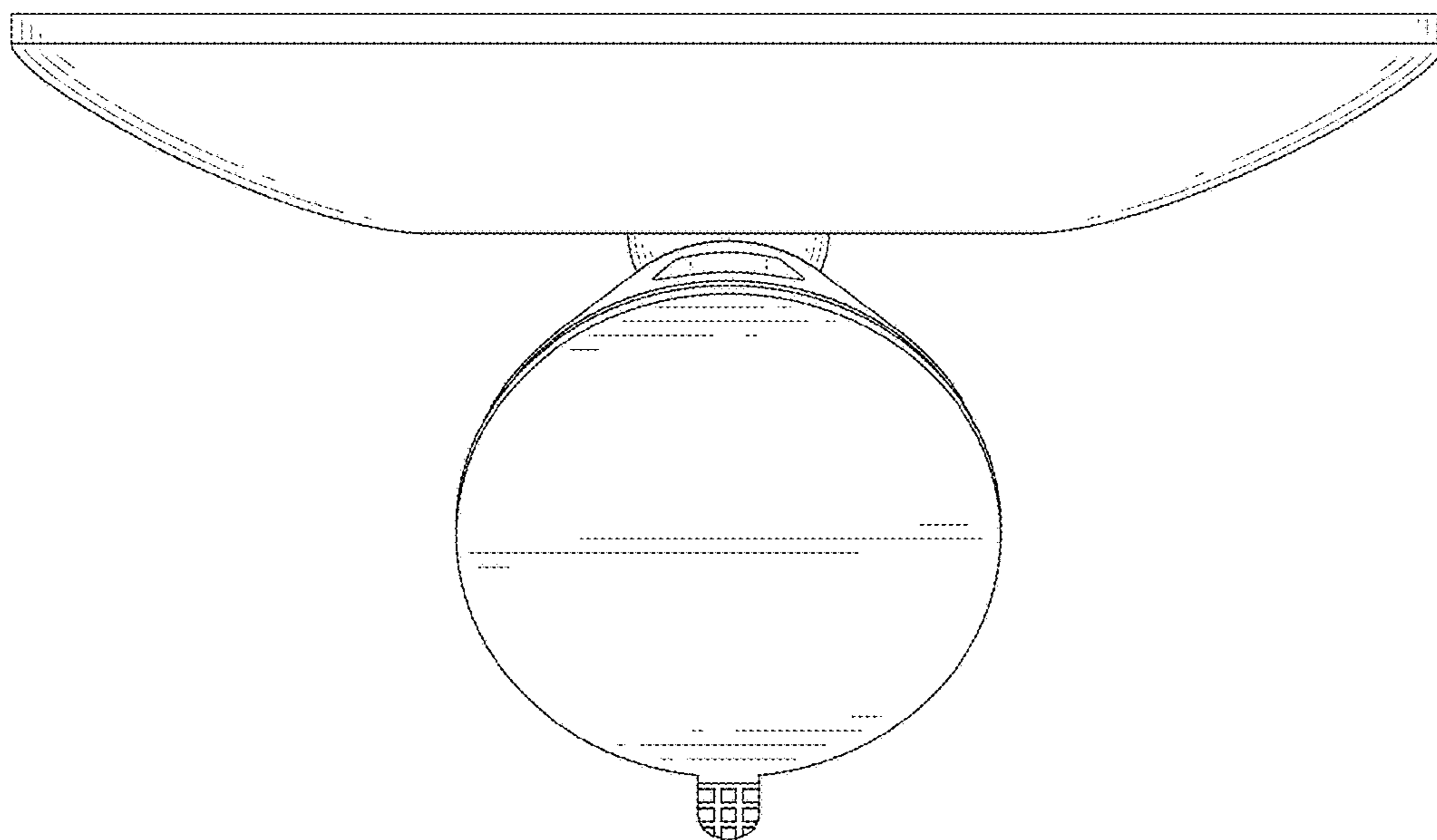


FIG. 8

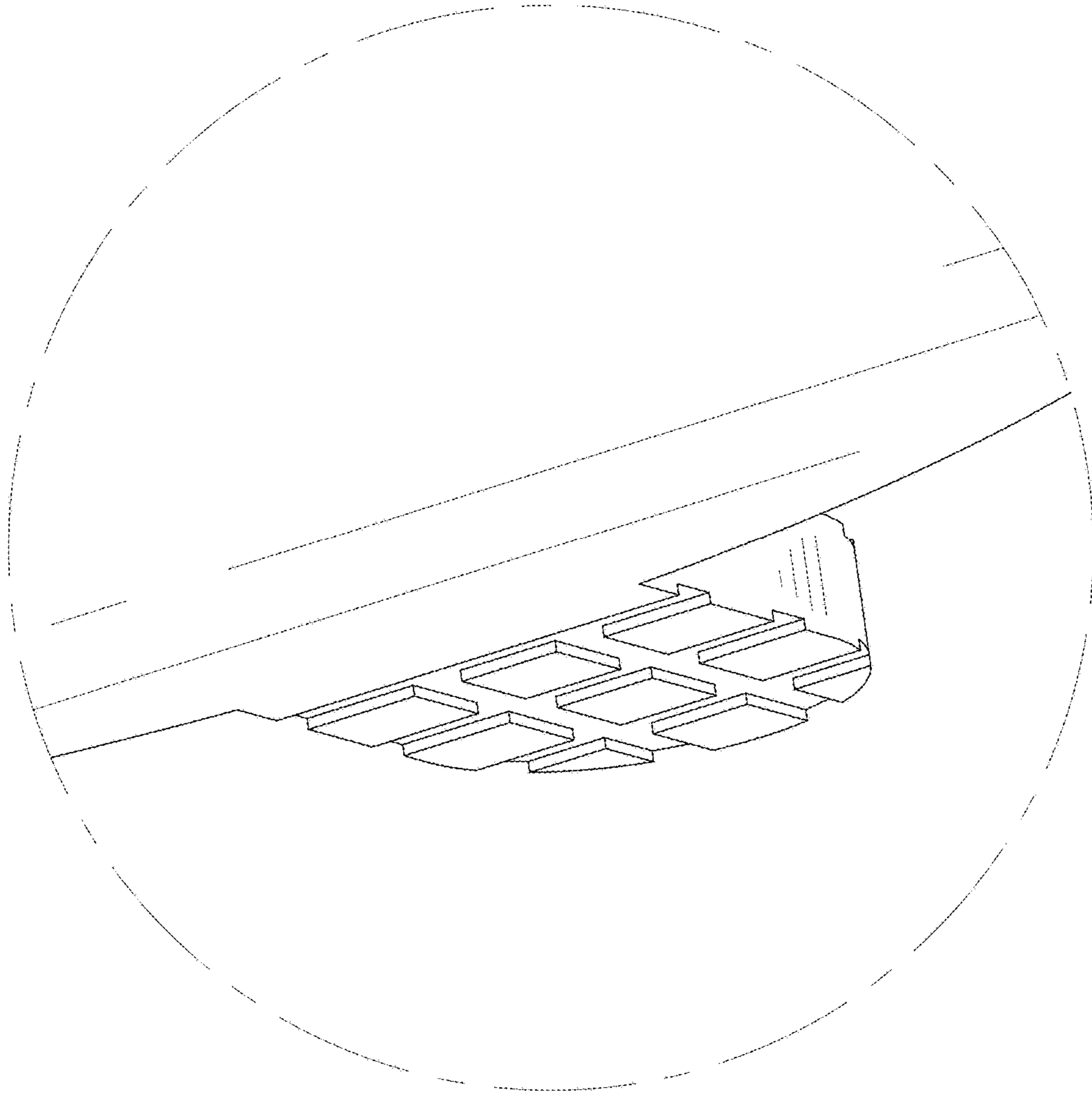


FIG. 9

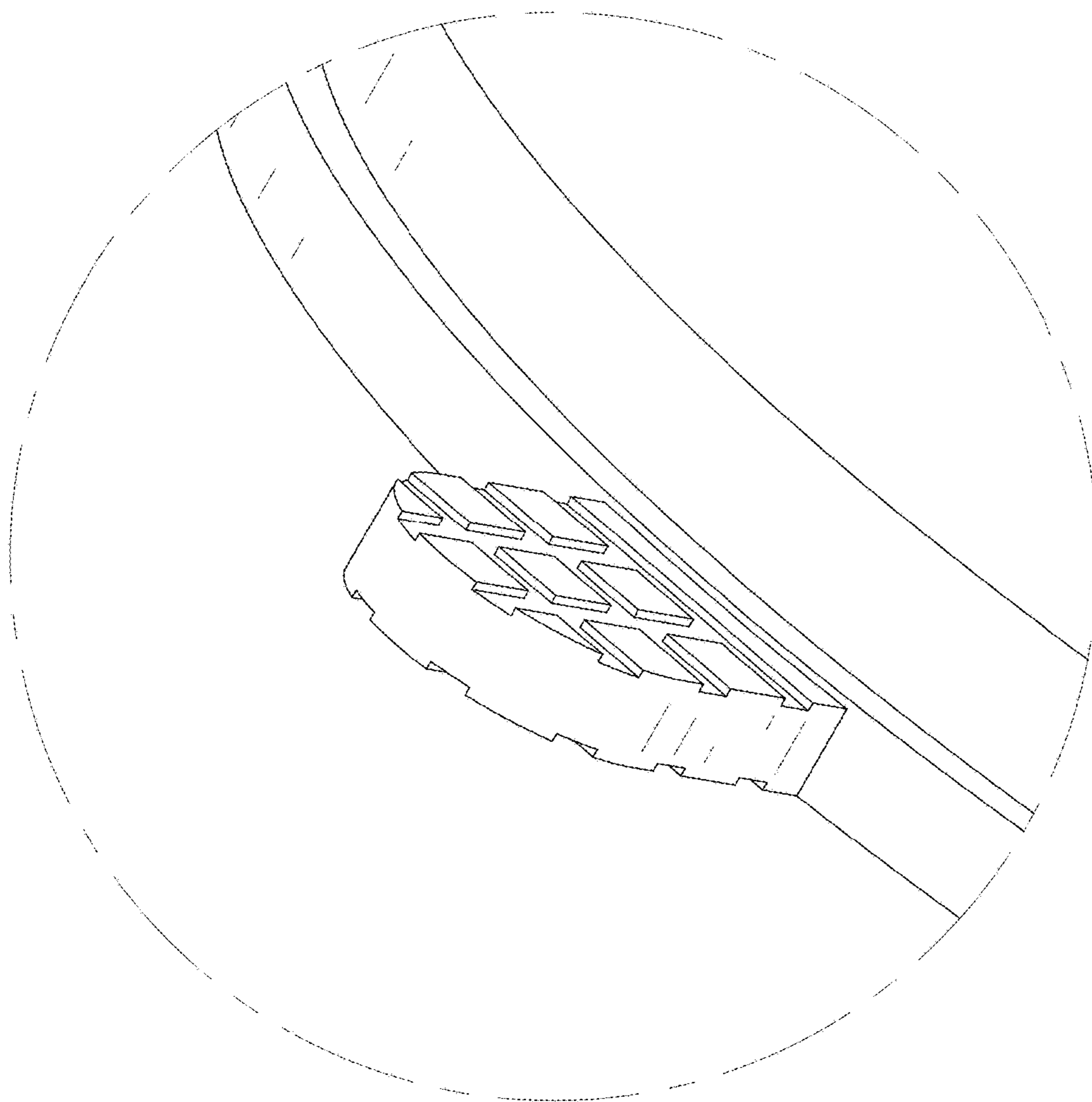


FIG. 10

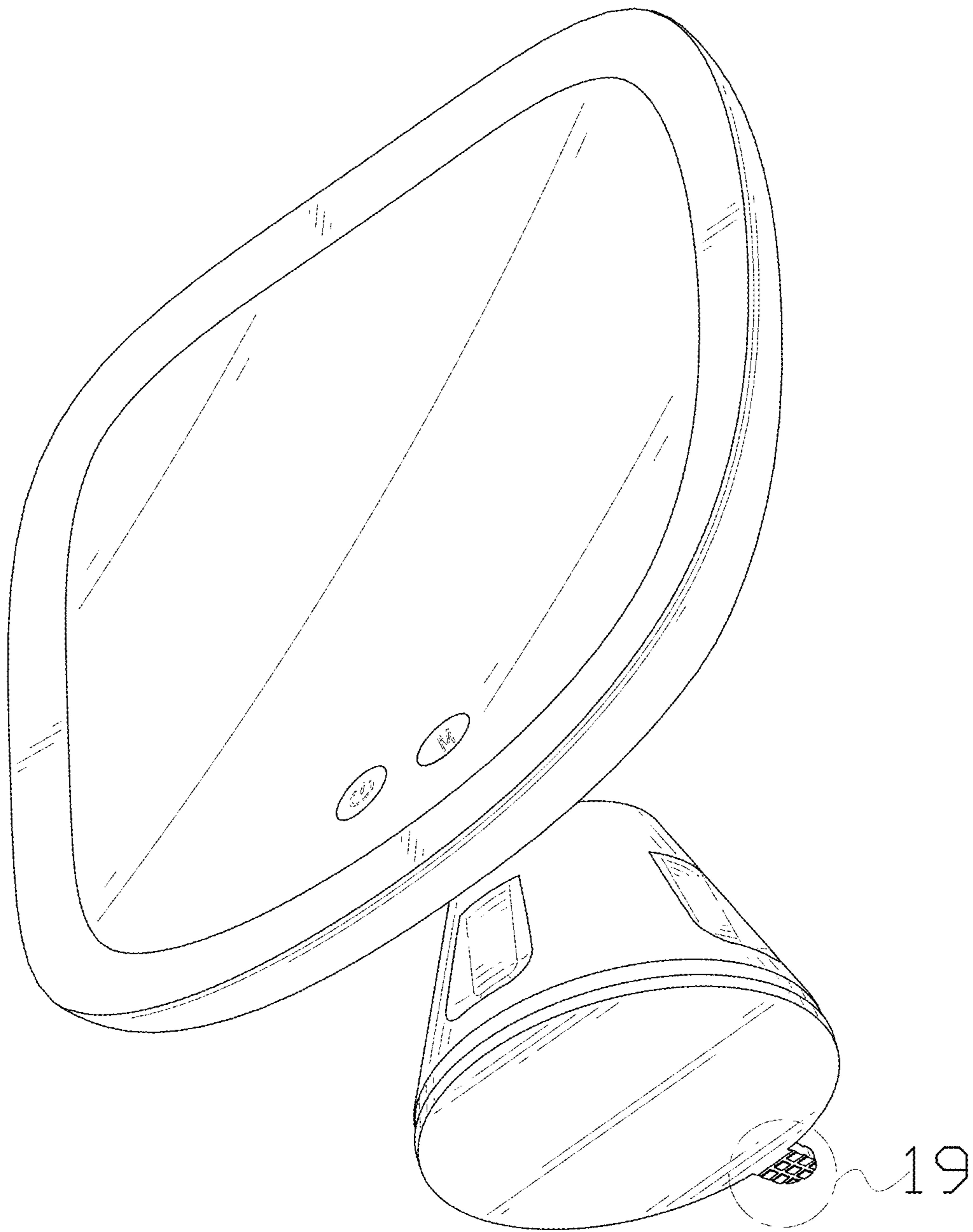


FIG. 11

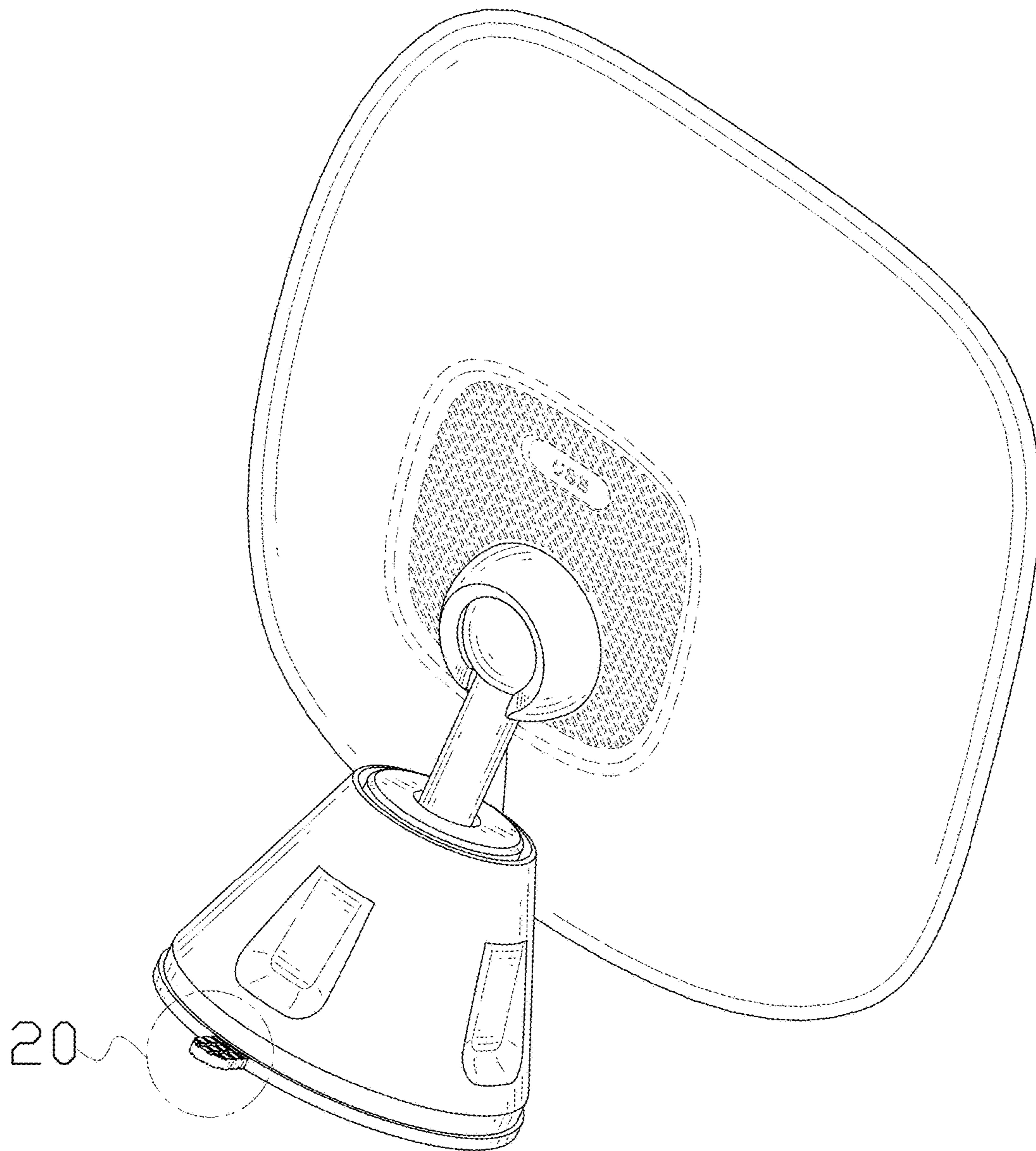


FIG. 12

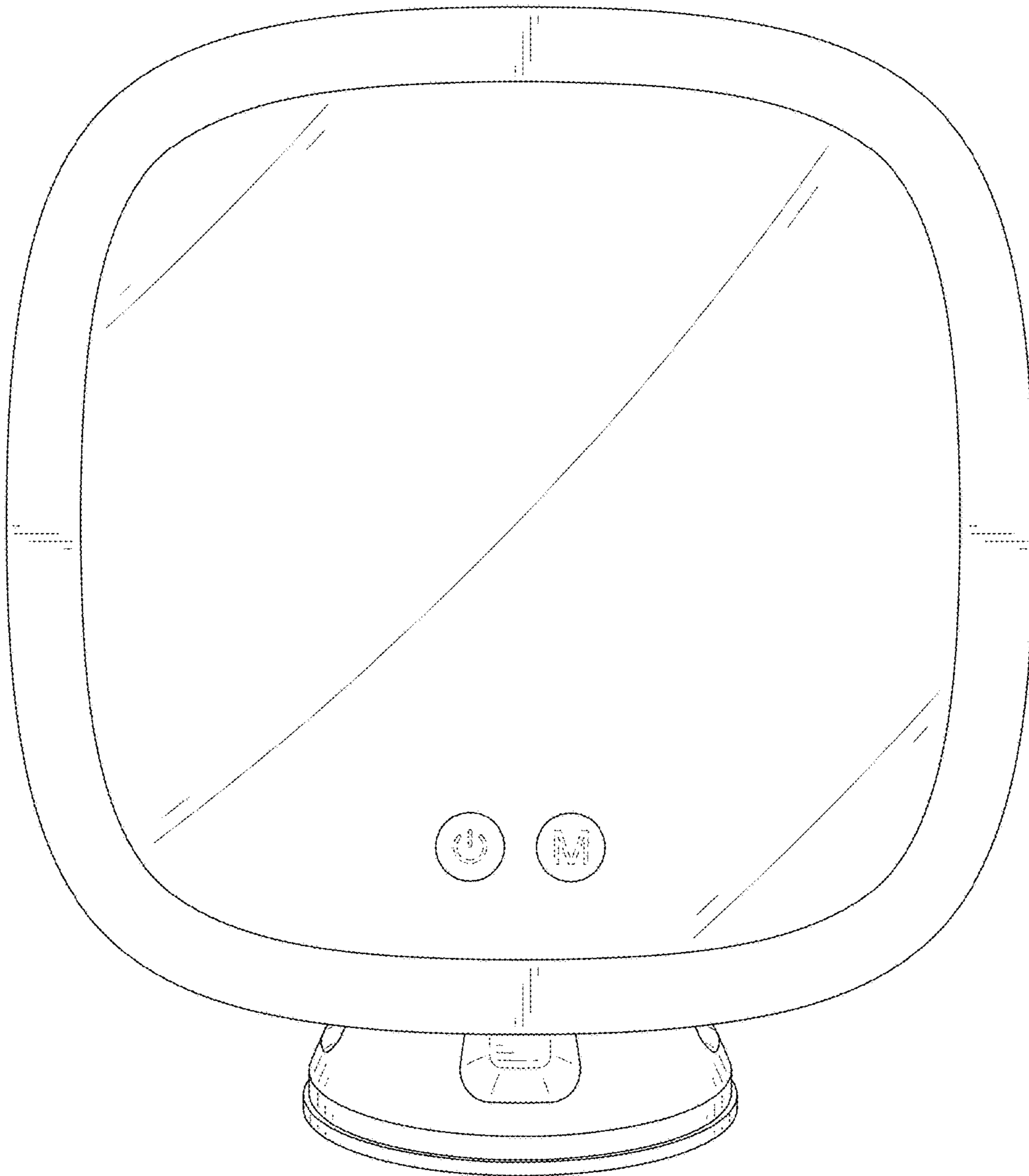


FIG. 13



FIG. 14

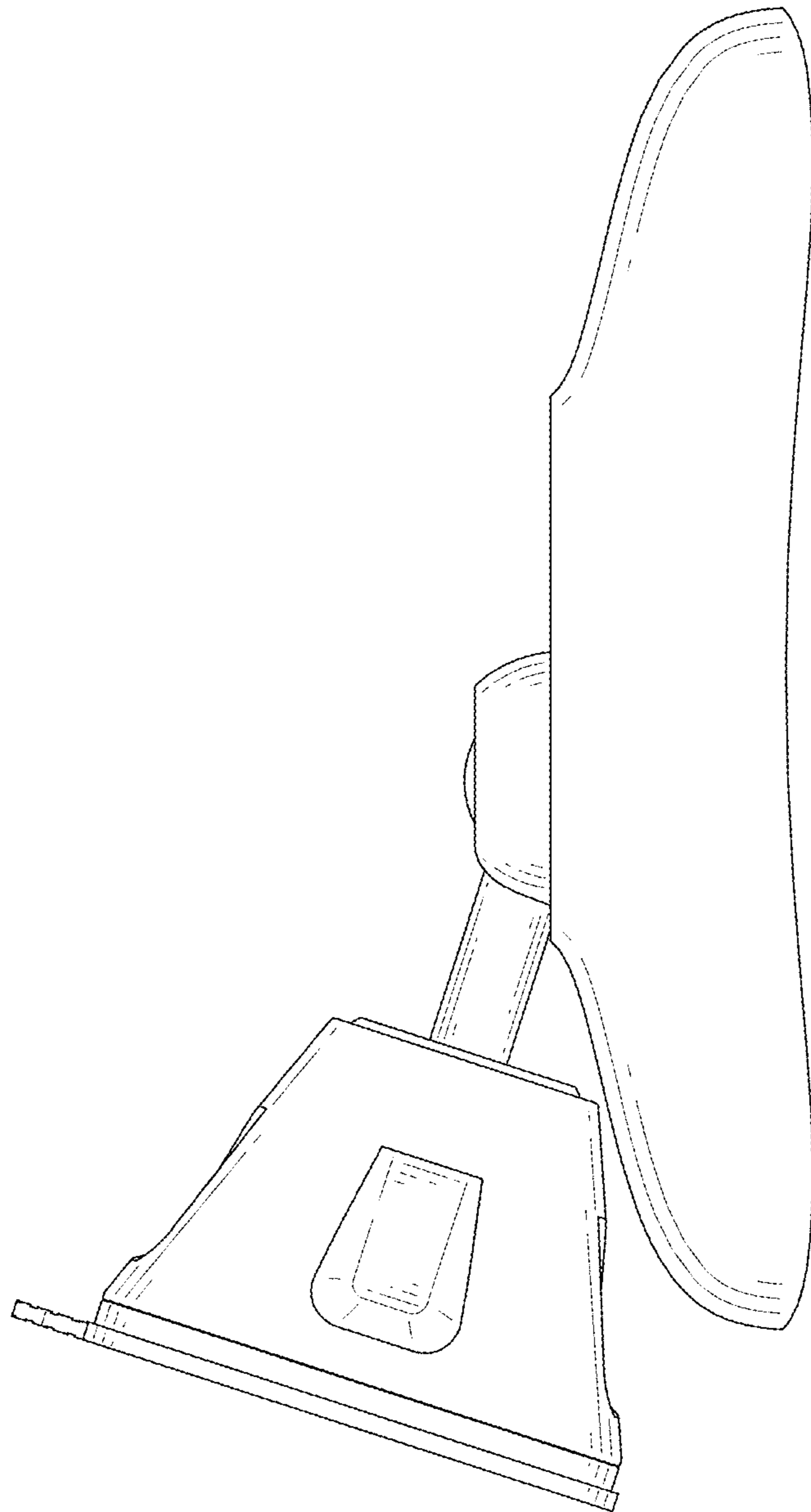


FIG. 15

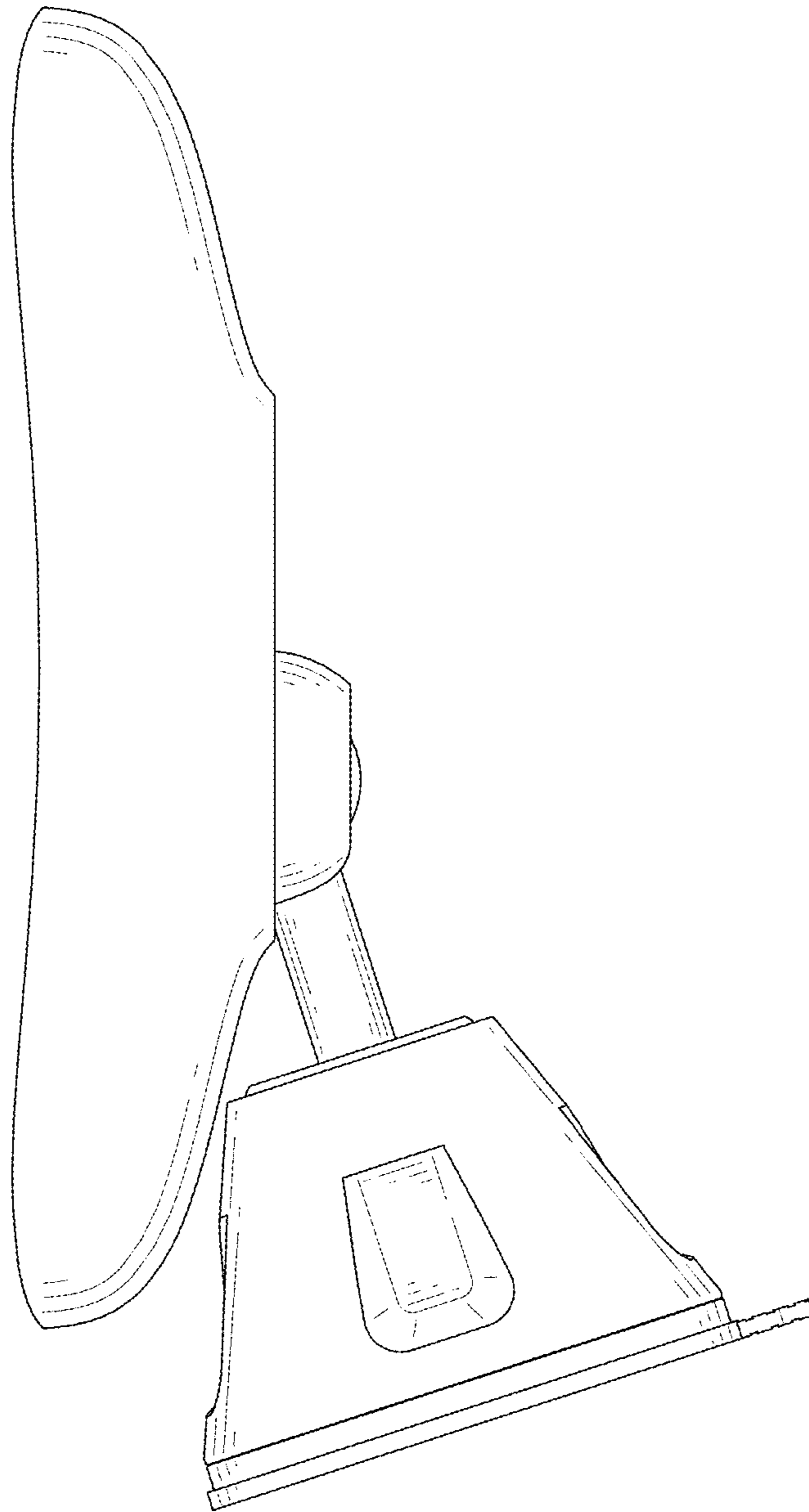


FIG. 16

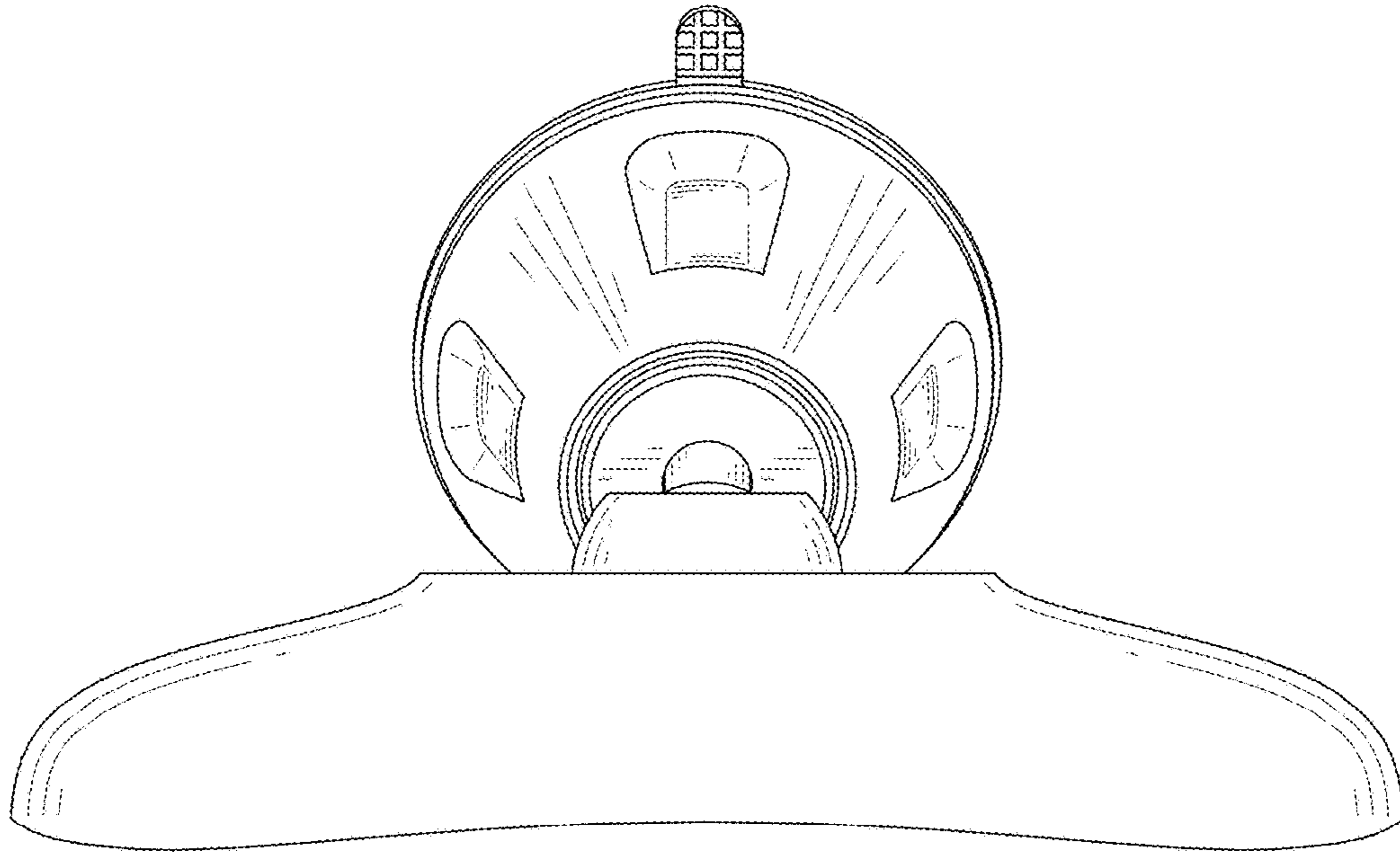


FIG. 17

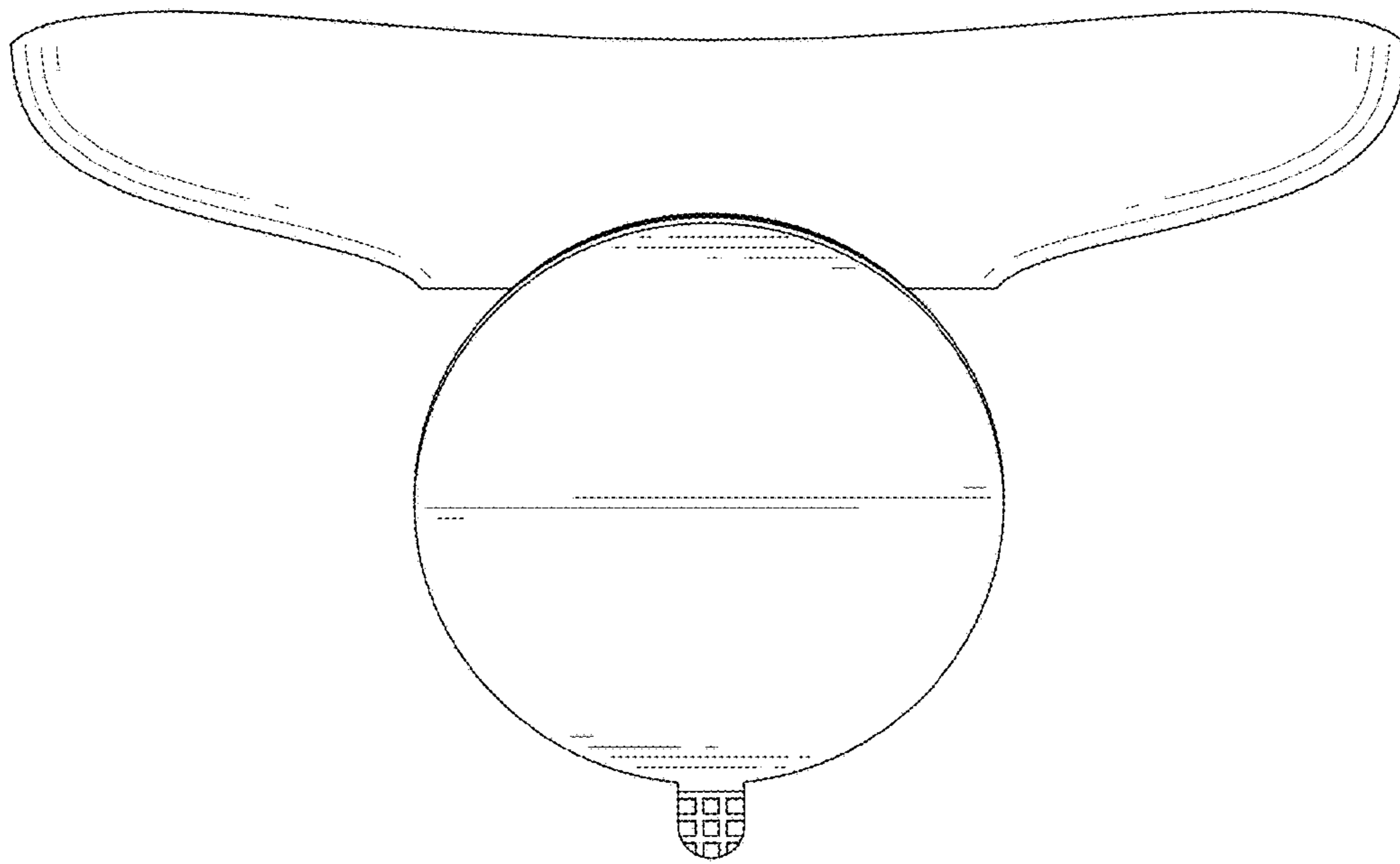


FIG. 18

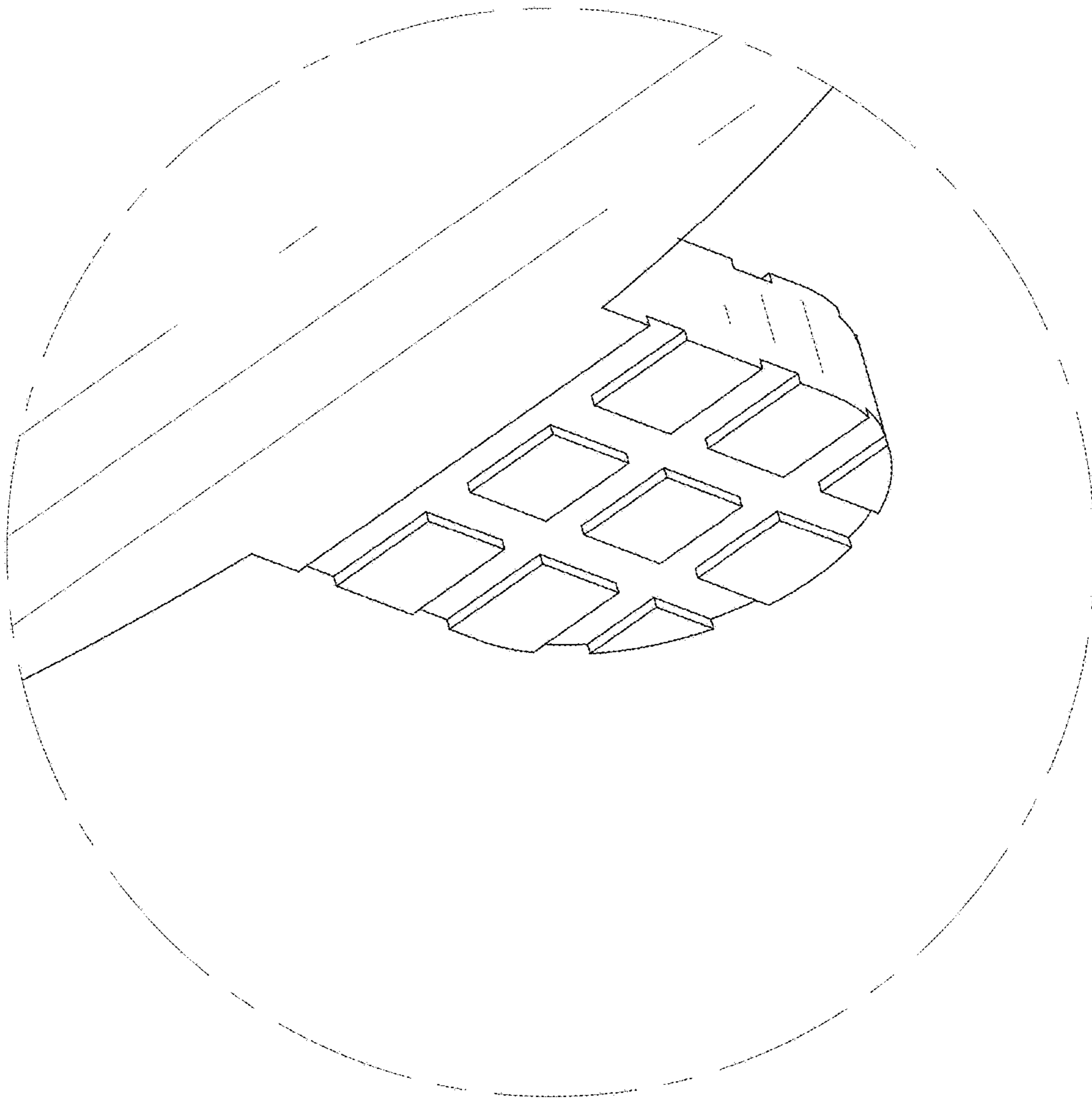


FIG. 19

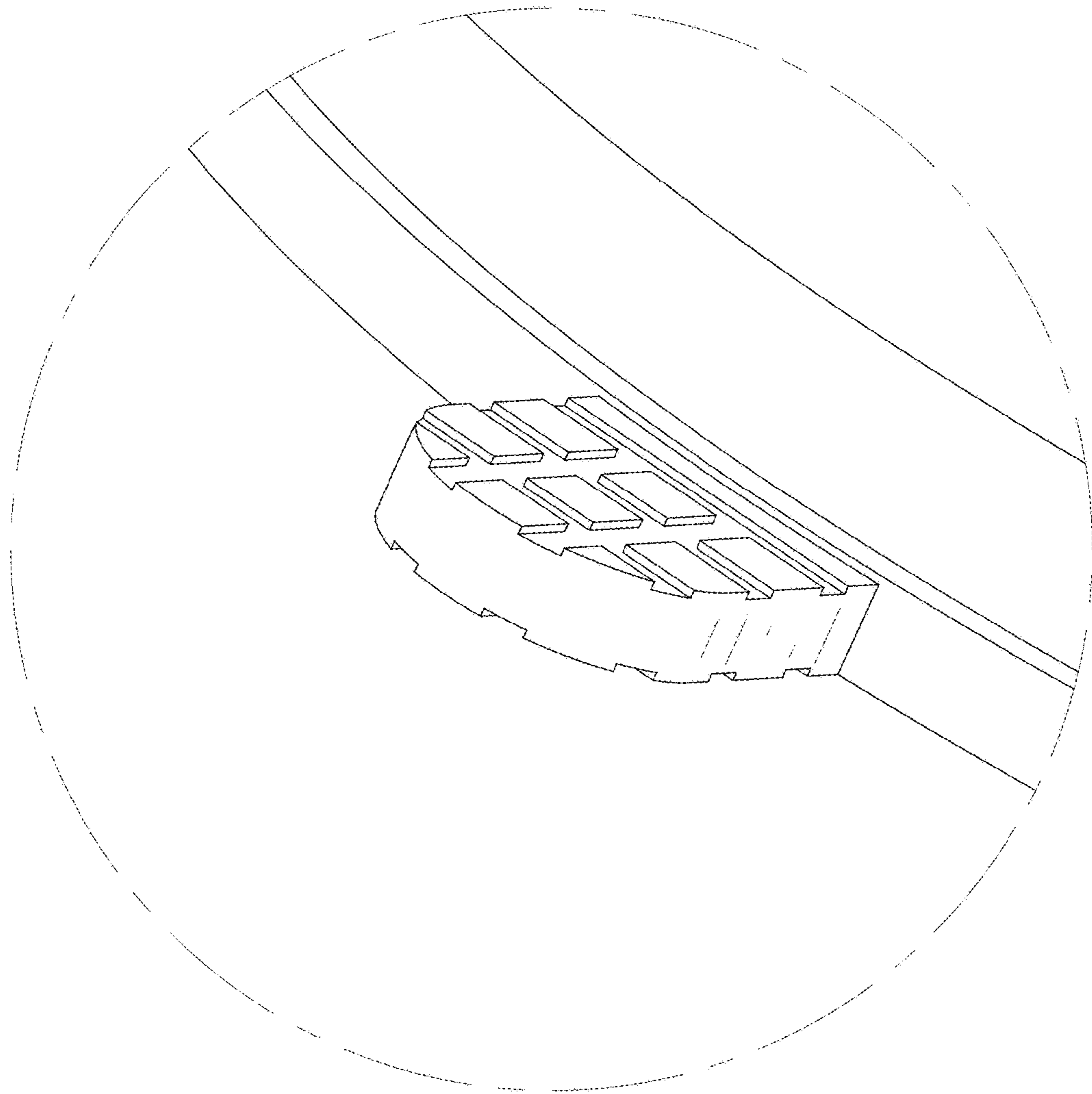


FIG. 20