



US00D865374S

(12) **United States Design Patent**
Yang

(10) **Patent No.:** **US D865,374 S**
(45) **Date of Patent:** **** Nov. 5, 2019**

(54) **MAKEUP MIRROR**

(71) Applicant: **Dongguan Powerme Plastic Mfg. Co., Ltd.**, Dongguan (CN)

(72) Inventor: **Guowei Yang**, Dongguan (CN)

(73) Assignee: **DONGGUAN POWERME PLASTIC MFG. CO., LTD.**, Dongguan (CN)

(**) Term: **15 Years**

(21) Appl. No.: **29/697,148**

(22) Filed: **Jul. 4, 2019**

(51) **LOC (12) Cl.** **06-06**

(52) **U.S. Cl.**
USPC **D6/310; D6/312**

(58) **Field of Classification Search**
USPC **D6/300-314**
CPC **A47G 1/00; A47G 1/04; G02B 5/08**
See application file for complete search history.

(56) **References Cited**

U.S. PATENT DOCUMENTS

D259,067 S *	4/1981	Kretschmer	D6/308
D298,087 S *	10/1988	Arce	D6/300
D330,807 S *	11/1992	Granzow	D6/301
D785,345 S *	5/2017	Yang	D6/310
D825,205 S *	8/2018	Liu	D6/310
D833,762 S *	11/2018	Liu	D6/310
2016/0255941 A1 *	9/2016	Yang	A45D 42/10

OTHER PUBLICATIONS

“Easehold Rechargeable Makeup Vanity Mirror, Portable Trifold Mirror with 66 LEDs Lights, 3 Color Lighting Modes, 2x/5x/10x

Magnification, 180° and 90° Adjustable Rotation, New Version 4”, Retrieved Jul. 2, 2019]. Retrieved from Internet, <https://www.amazon.com/EASEHOLD-Rechargeable-Portable-Magnification-Adjustable/dp/B07351W31S/>.

“Roledo Makeup Vanity Mirror with Lights, 2X/3X Magnification, 24 Led Lighted Mirror with Touch Screen,180° Adjustable Rotation. Dual Power Supply, Portable, Table, Trifold Mirror (Rose Gold, White)”. Retrieved Jul. 2, 2019]. Retrieved from Internet, <https://www.amazon.com/RoLeDo-Magnification-Magnifying-Portable-Rotation/dp/B07LCKYWP4/>.

* cited by examiner

Primary Examiner — Deanna L Pratt

(57) **CLAIM**

The ornamental design for a makeup mirror, as shown and described.

DESCRIPTION

FIG. 1 is a perspective view of a makeup mirror showing my new design;

FIG. 2 is another perspective view thereof;

FIG. 3 is a perspective view of the makeup mirror where the make up mirror is in a close state;

FIG. 4 is a front elevational view of FIG. 1;

FIG. 5 is a rear elevational view of FIG. 1;

FIG. 6 is a left side elevational view of FIG. 1;

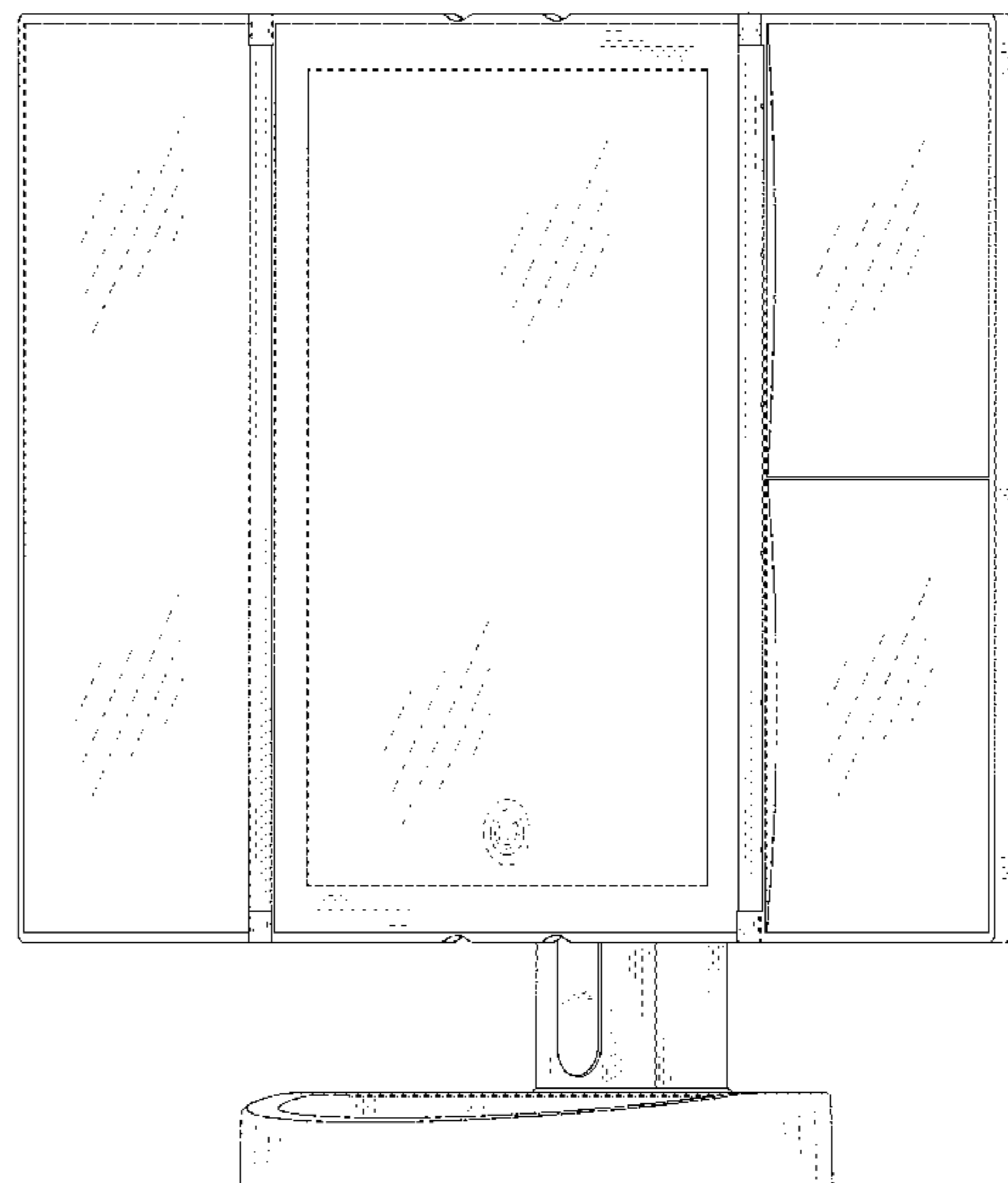
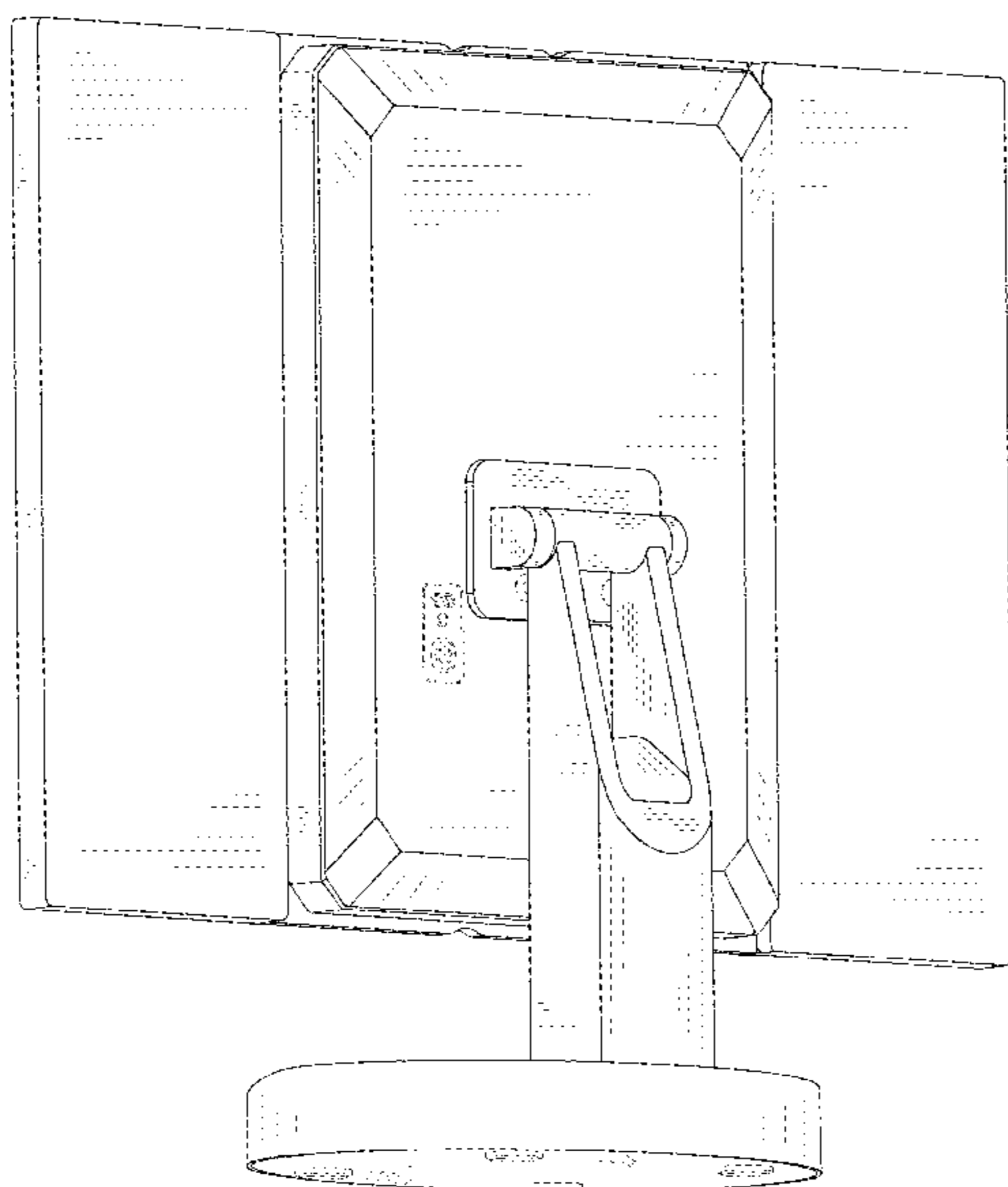
FIG. 7 is a right side elevational view of FIG. 1;

FIG. 8 is a top plan view of FIG. 1; and,

FIG. 9 is a bottom plan view of FIG. 1.

The broken lines in the drawings depict portions of the makeup mirror that form no part of the claimed design.

1 Claim, 9 Drawing Sheets



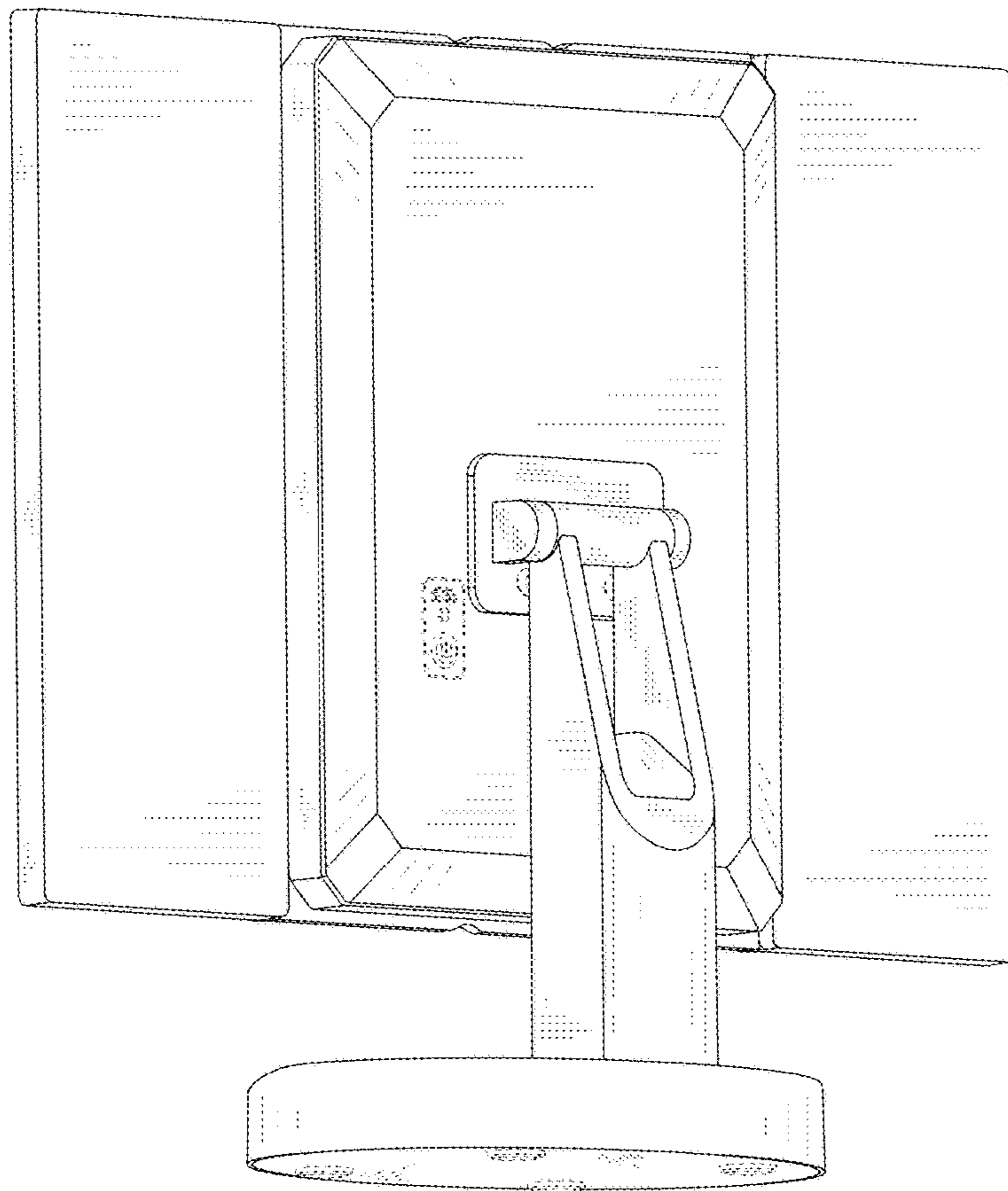


FIG.1

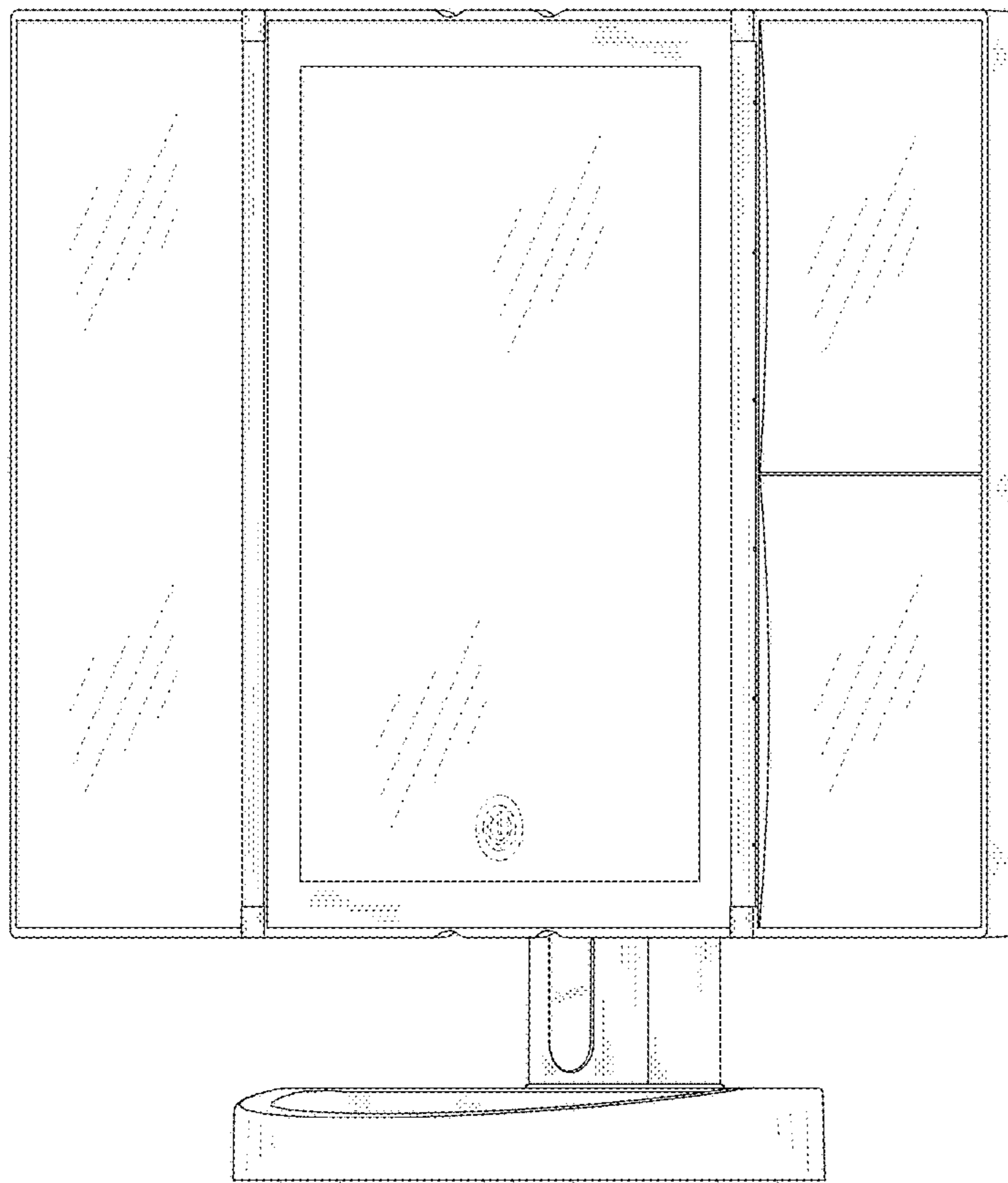


FIG.2

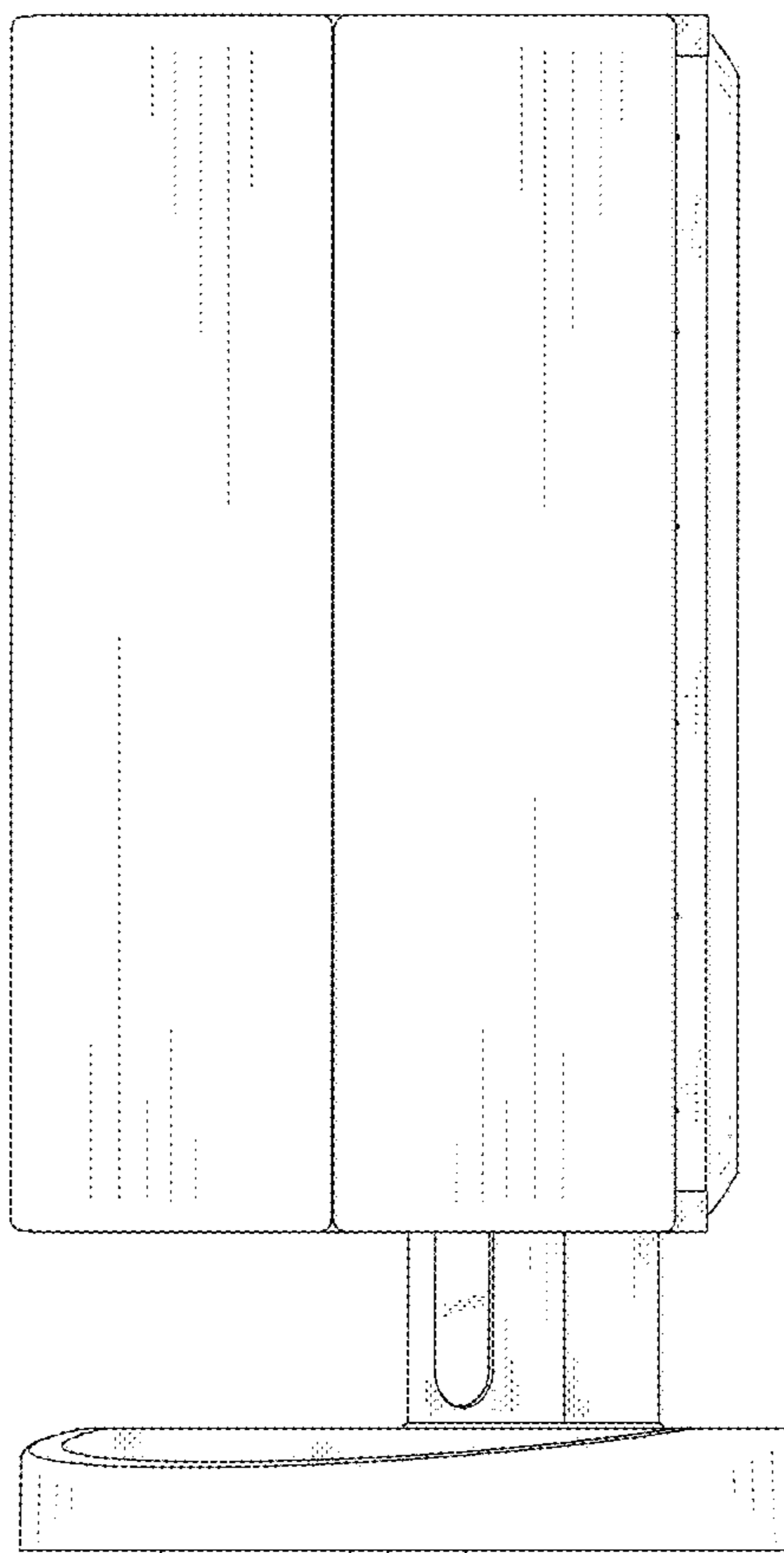


FIG. 3

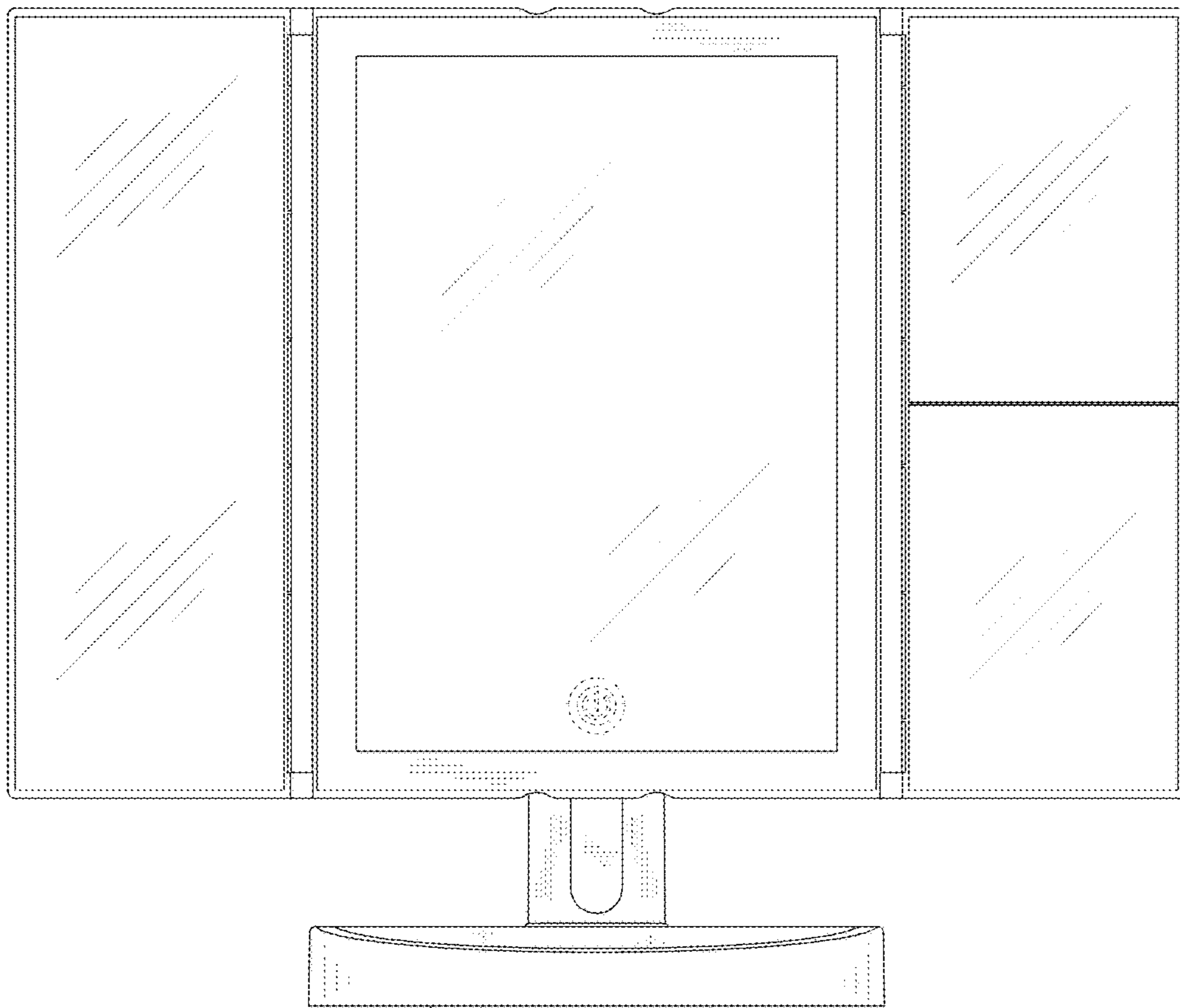


FIG. 4

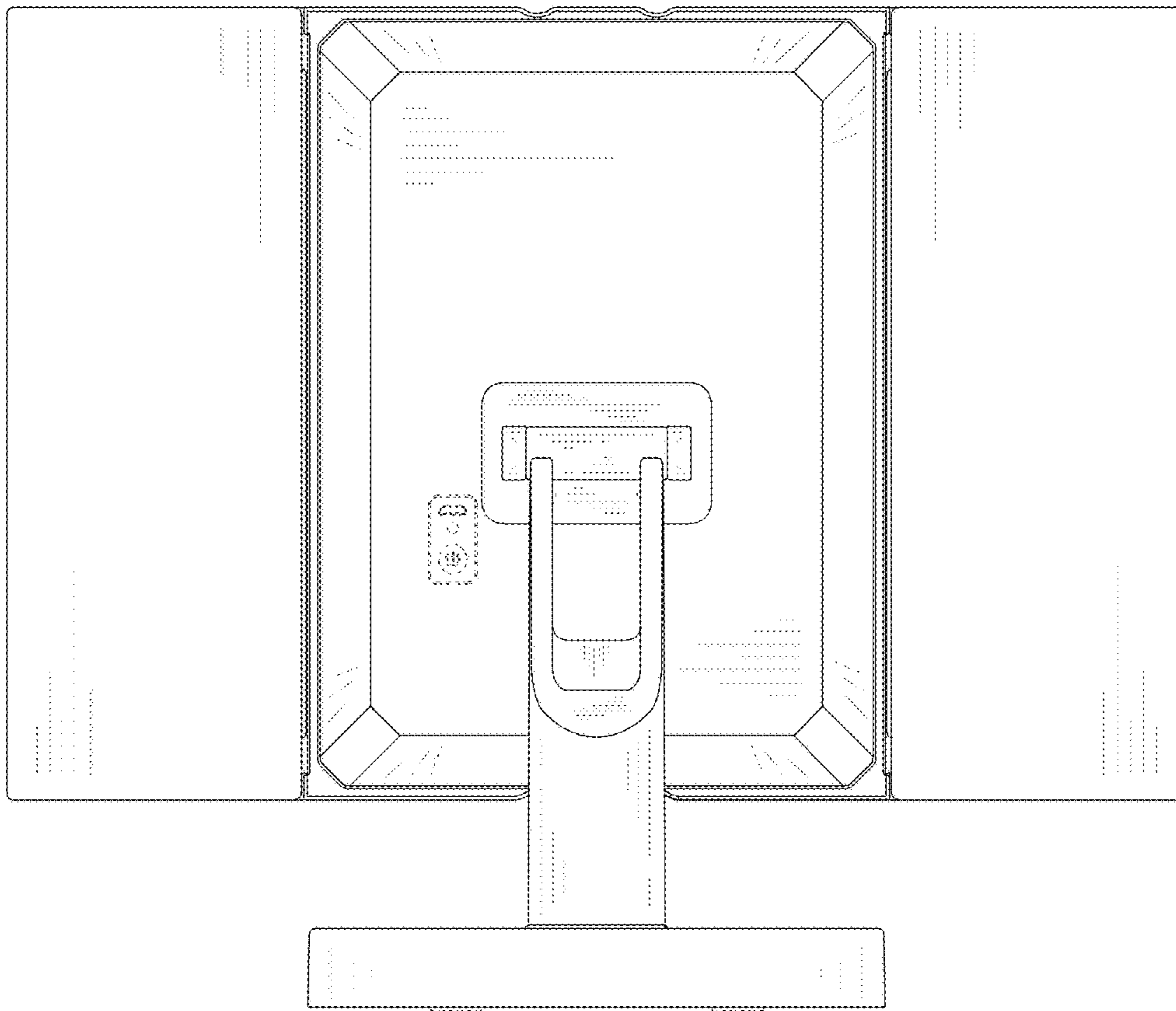


FIG.5

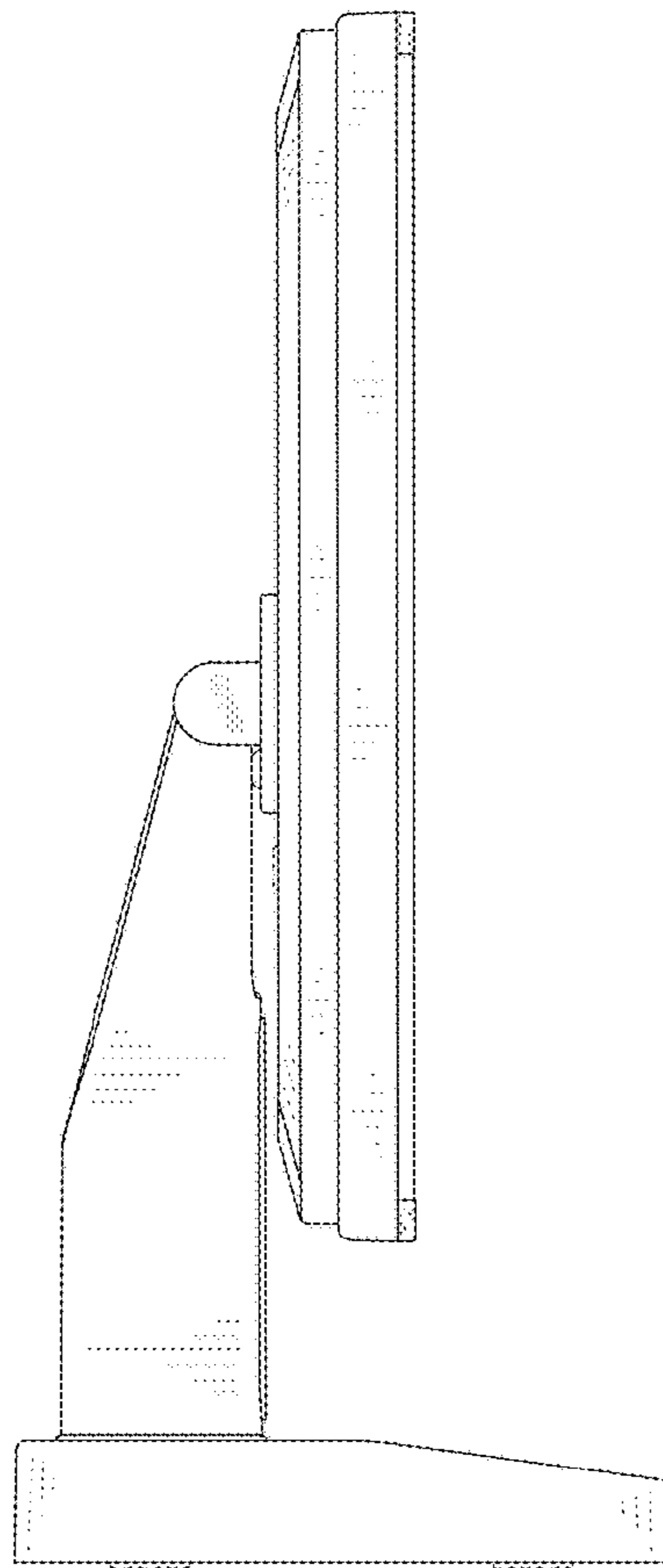


FIG.6

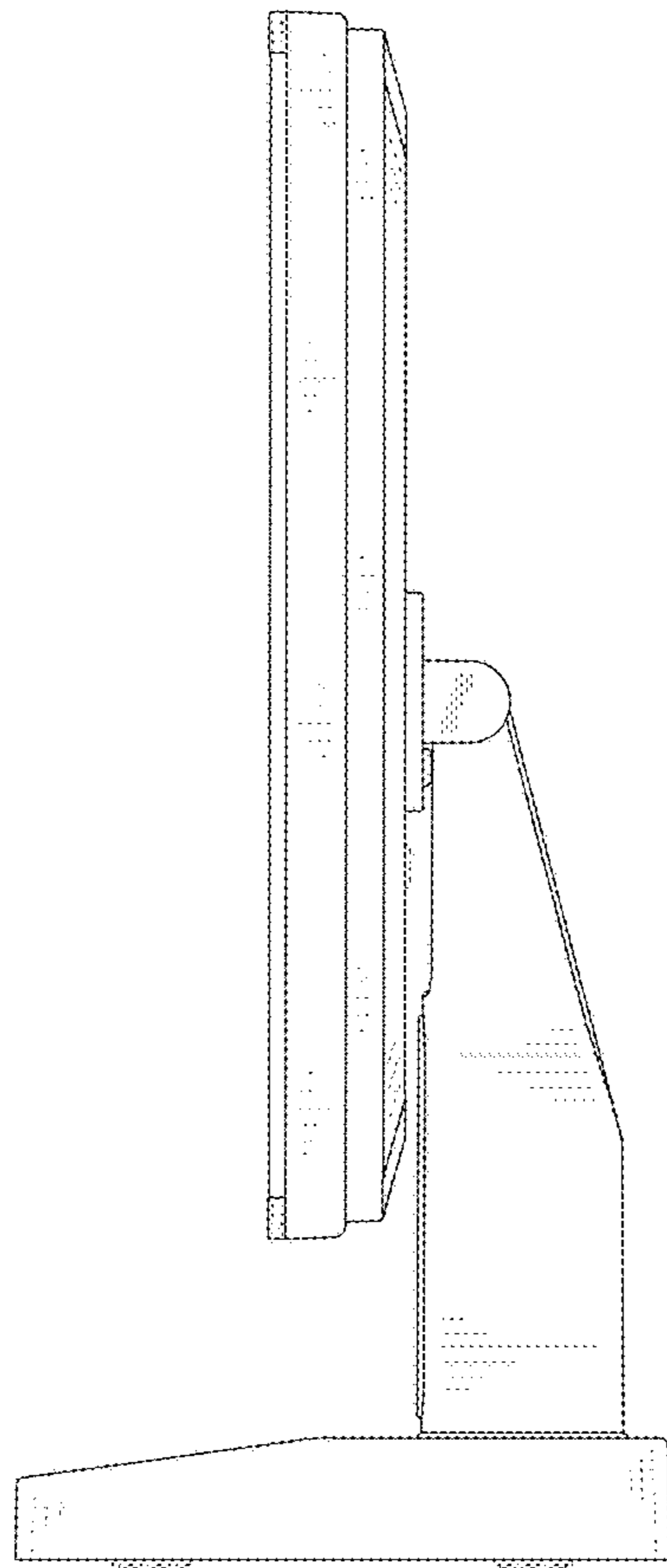


FIG. 7

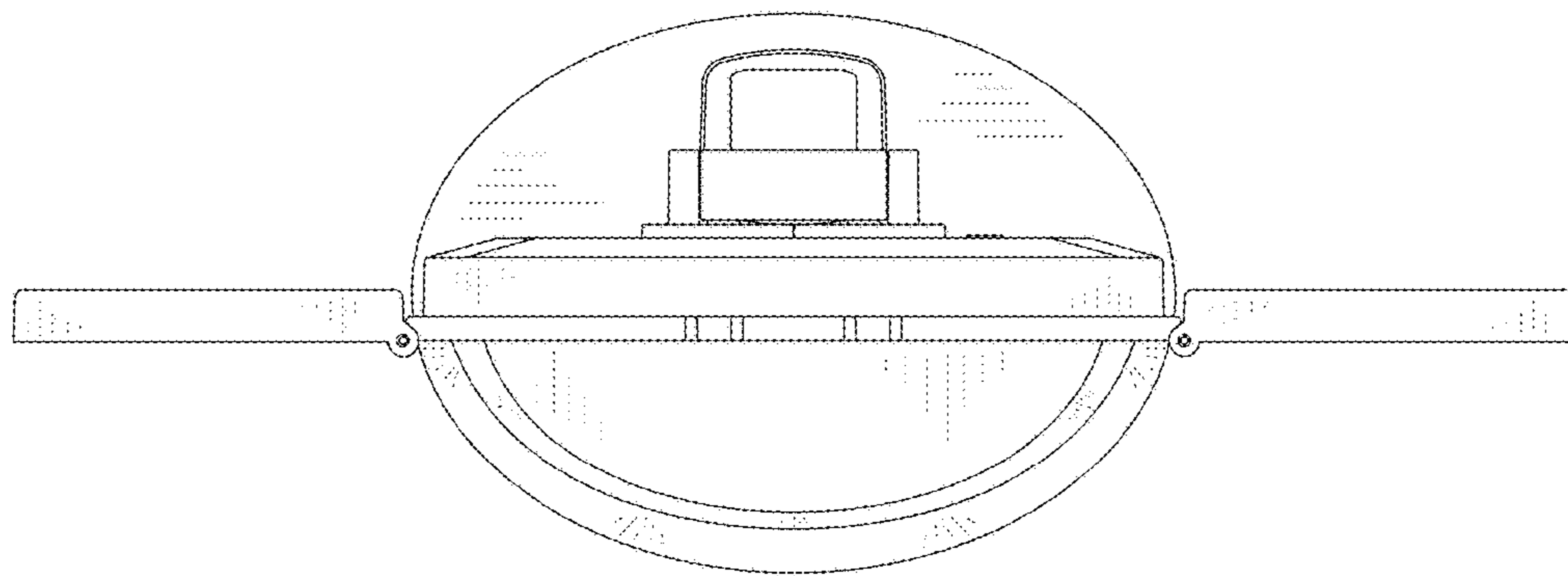


FIG.8

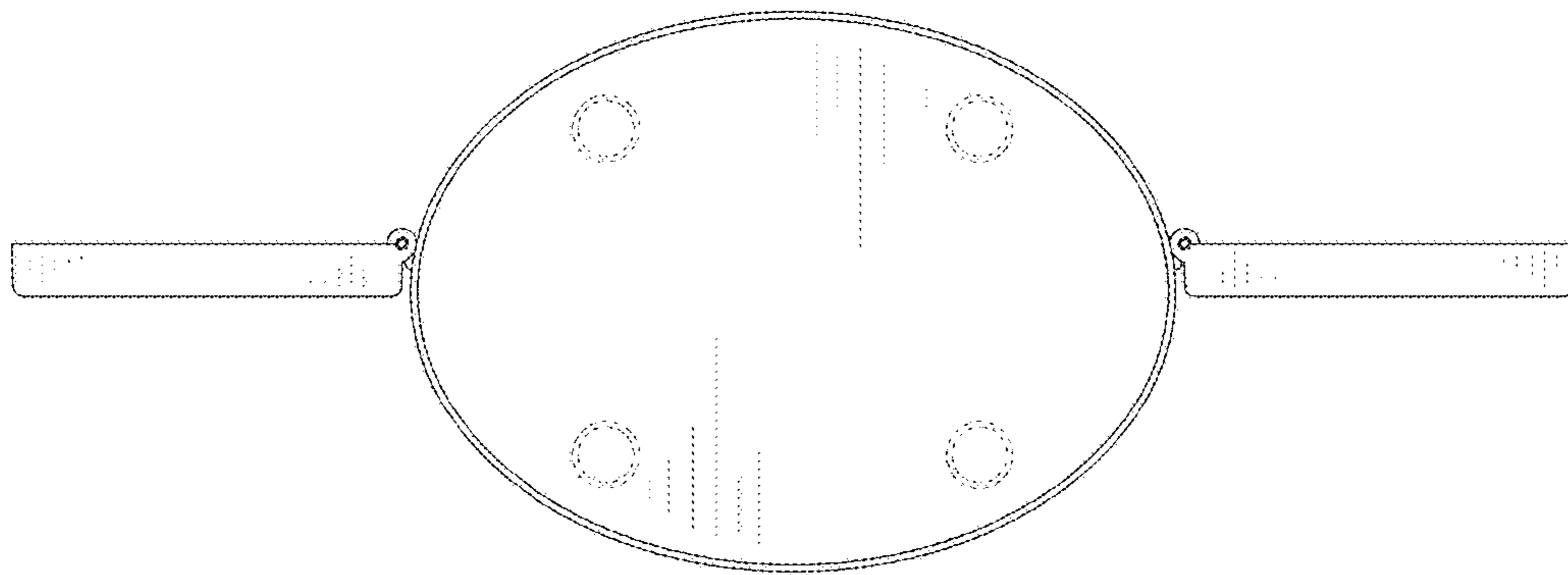


FIG. 9