

US00D865373S

(12) **United States Design Patent** (10) **Patent No.:** **US D865,373 S**  
**Altemimei** (45) **Date of Patent:** **\*\* Nov. 5, 2019**

- (54) **MIRROR**
- (71) Applicant: **DA International, Inc.**, Orland Park, IL (US)
- (72) Inventor: **Raad Altemimei**, Orland Park, IL (US)
- (73) Assignee: **DA International, Inc.**, Orland Park, IL (US)
- (\*\*) Term: **15 Years**
- (21) Appl. No.: **29/594,321**
- (22) Filed: **Feb. 17, 2017**
- (51) **LOC (12) Cl.** ..... **06-06**
- (52) **U.S. Cl.**  
USPC ..... **D6/300**
- (58) **Field of Classification Search**  
USPC ..... D6/300-314  
CPC ..... A47G 1/06  
See application file for complete search history.

- D311,998 S \* 11/1990 Lewis ..... D6/300
- D339,921 S \* 10/1993 Nourse ..... D6/300
- D341,029 S \* 11/1993 Ilaria ..... D6/300
- D372,590 S \* 8/1996 Mann ..... D6/300
- D386,383 S 11/1997 Lougee
- D390,009 S \* 2/1998 Walters, III ..... D6/300
- D393,162 S 4/1998 Bargagli-Stoffi
- D406,466 S \* 3/1999 Keller ..... D6/300
- D441,576 S 5/2001 Foster
- D455,640 S 4/2002 Hansen
- D465,095 S \* 11/2002 Clark ..... D6/300
- 6,532,778 B2 3/2003 Molzer et al.
- D490,989 S \* 6/2004 Cook ..... D6/300
- D492,502 S 7/2004 Domack
- D497,098 S 10/2004 Magnusson
- D520,756 S \* 5/2006 Cook ..... D6/300
- D521,768 S 5/2006 Black
- D523,249 S \* 6/2006 Hoernig ..... D6/300

(Continued)

*Primary Examiner* — Deanna L Pratt  
 (74) *Attorney, Agent, or Firm* — Greensfelder, Hemker & Gale, P.C.

(57) **CLAIM**

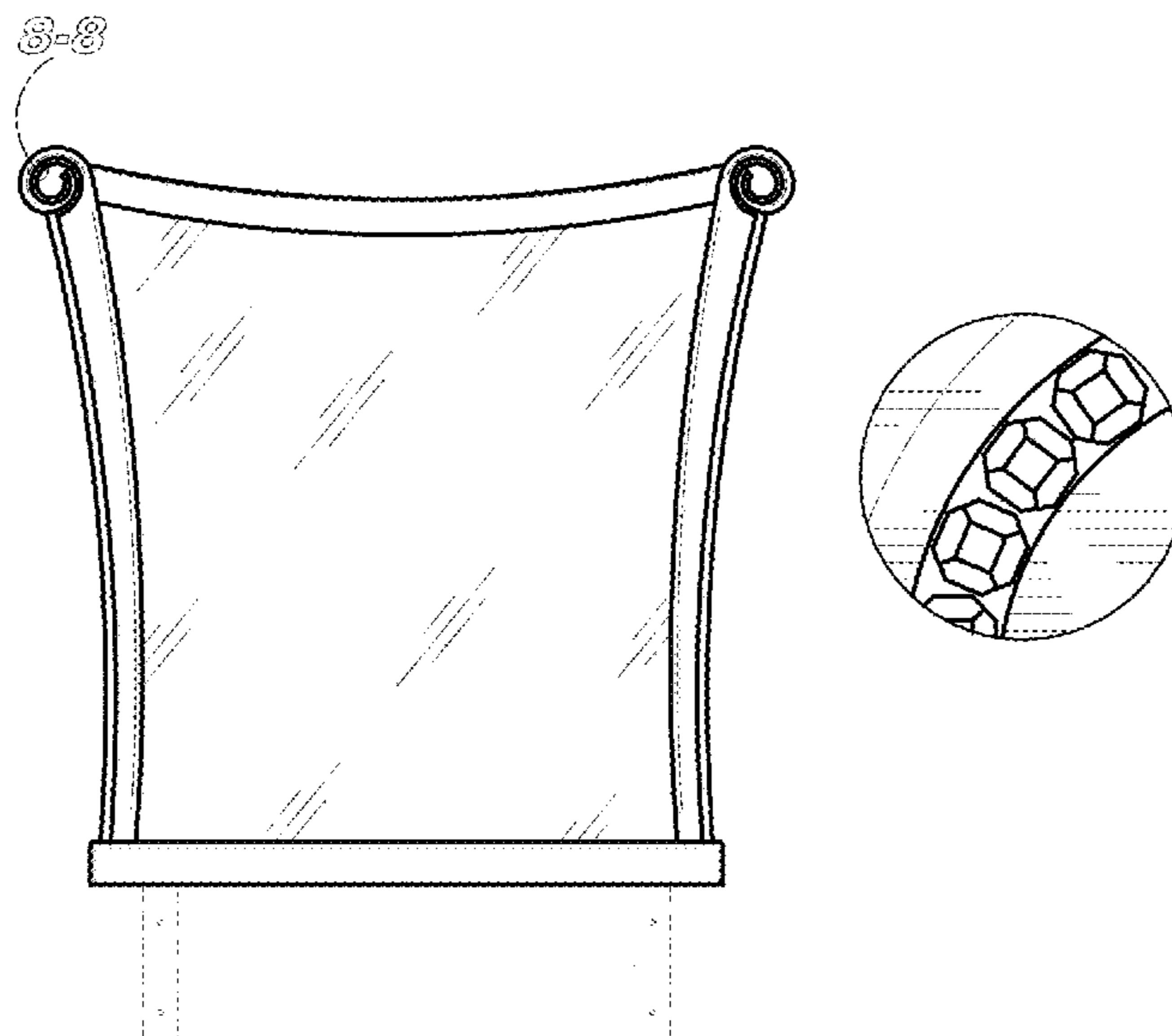
I claim the ornamental design for a mirror, as shown and described.

**DESCRIPTION**

FIG. 1 is a perspective view of a mirror in accordance with the present invention;  
 FIG. 2 is a first side plan view of the mirror of FIG. 1;  
 FIG. 3 is a front plan view of the mirror of FIG. 1;  
 FIG. 4 is a second side plan view of the mirror of FIG. 1;  
 FIG. 5 is a top plan view of the mirror of FIG. 1;  
 FIG. 6 is a rear plan view of the mirror of FIG. 1;  
 FIG. 7 is a bottom plan view of the mirror of FIG. 1; and,  
 FIG. 8 is an enlarged view of 8-8 of FIG. 3.  
 Features shown in broken or dashed lines in the drawings, if any, are not part of the claim.

**1 Claim, 3 Drawing Sheets**

- (56) **References Cited**
- U.S. PATENT DOCUMENTS
- D37,219 S \* 11/1904 Benza ..... D6/300
- D40,148 S \* 7/1909 Cruver ..... D6/303
- D77,135 S \* 12/1928 Turner ..... D6/300
- D82,410 S \* 11/1930 Attinger ..... D6/300
- D84,045 S \* 4/1931 MacLaughlin, Jr. .... D6/311
- D99,046 S 3/1936 Rettich
- D113,000 S \* 1/1939 Justema ..... D25/136
- D139,338 S 11/1944 George
- D149,378 S 4/1948 Rummelsburg
- D160,571 S 10/1950 Belanger
- D173,938 S 2/1955 Dailey
- D194,782 S 3/1963 Watt, Jr.
- D199,051 S 9/1964 Stone
- 3,159,416 A 12/1964 Schlage
- D201,987 S 8/1965 Webster
- D240,547 S 7/1976 Stanley et al.



(56)

References Cited

U.S. PATENT DOCUMENTS

D527,926 S 9/2006 Domack et al.  
D554,388 S 11/2007 Leigh  
D558,459 S \* 1/2008 Hoernig ..... D6/300  
D567,061 S 4/2008 Paige et al.  
D578,373 S 10/2008 Paige et al.  
D581,767 S 12/2008 Thompson  
D586,162 S 2/2009 Schmitt  
D604,955 S \* 12/2009 Kuo ..... D6/309  
D625,165 S 10/2010 King  
D631,272 S 1/2011 O'Brien et al.  
D632,094 S \* 2/2011 Shaha ..... D6/310  
D632,112 S 2/2011 Sakuma  
D644,844 S \* 9/2011 LeMay ..... D6/300  
D674,630 S 1/2013 Schmitt  
D675,848 S 2/2013 Roser, Jr.  
D691,019 S 10/2013 Sakuma  
D702,473 S 4/2014 Litt  
D720,981 S 1/2015 Kaishian et al.  
D734,052 S 7/2015 Glattstein et al.  
D734,053 S 7/2015 Glattstein et al.  
D751,303 S \* 3/2016 Musi Navarro ..... D6/300  
D771,428 S 11/2016 Schmitt  
D772,631 S 11/2016 Schmitt  
2009/0079311 A1 3/2009 Lai

\* cited by examiner

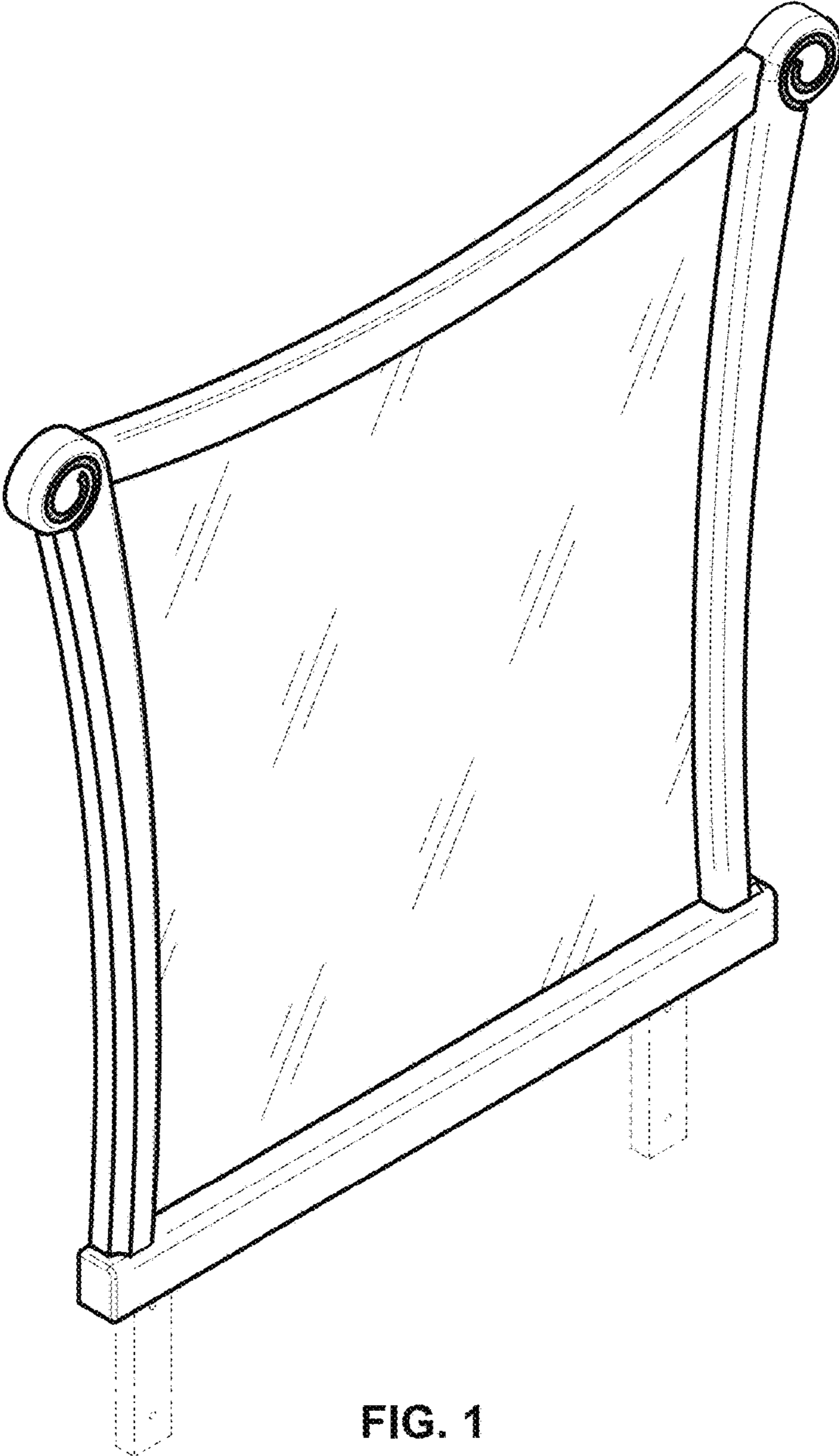


FIG. 1

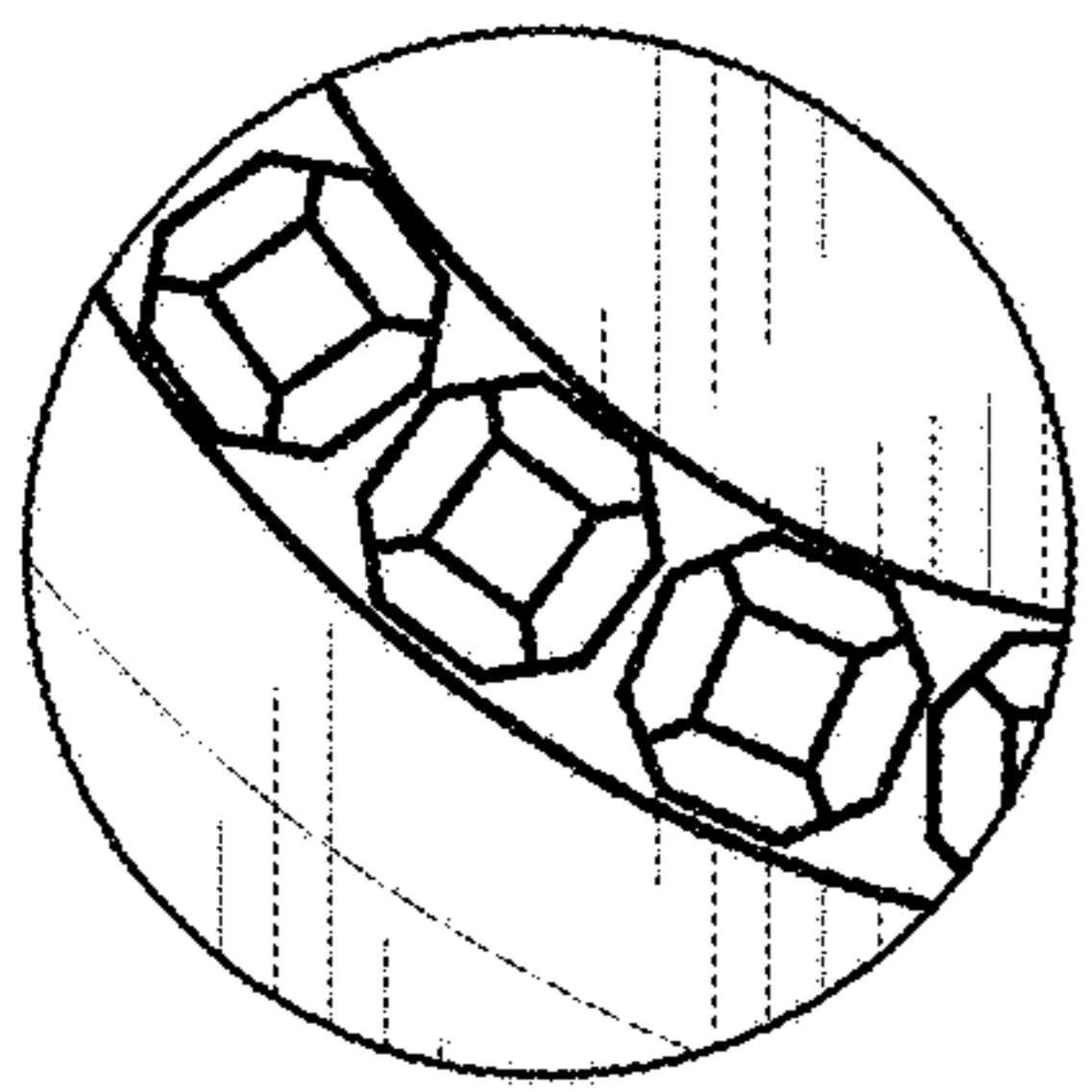


FIG. 8

8-8

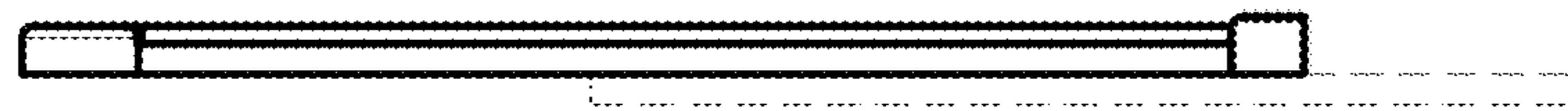


FIG. 2

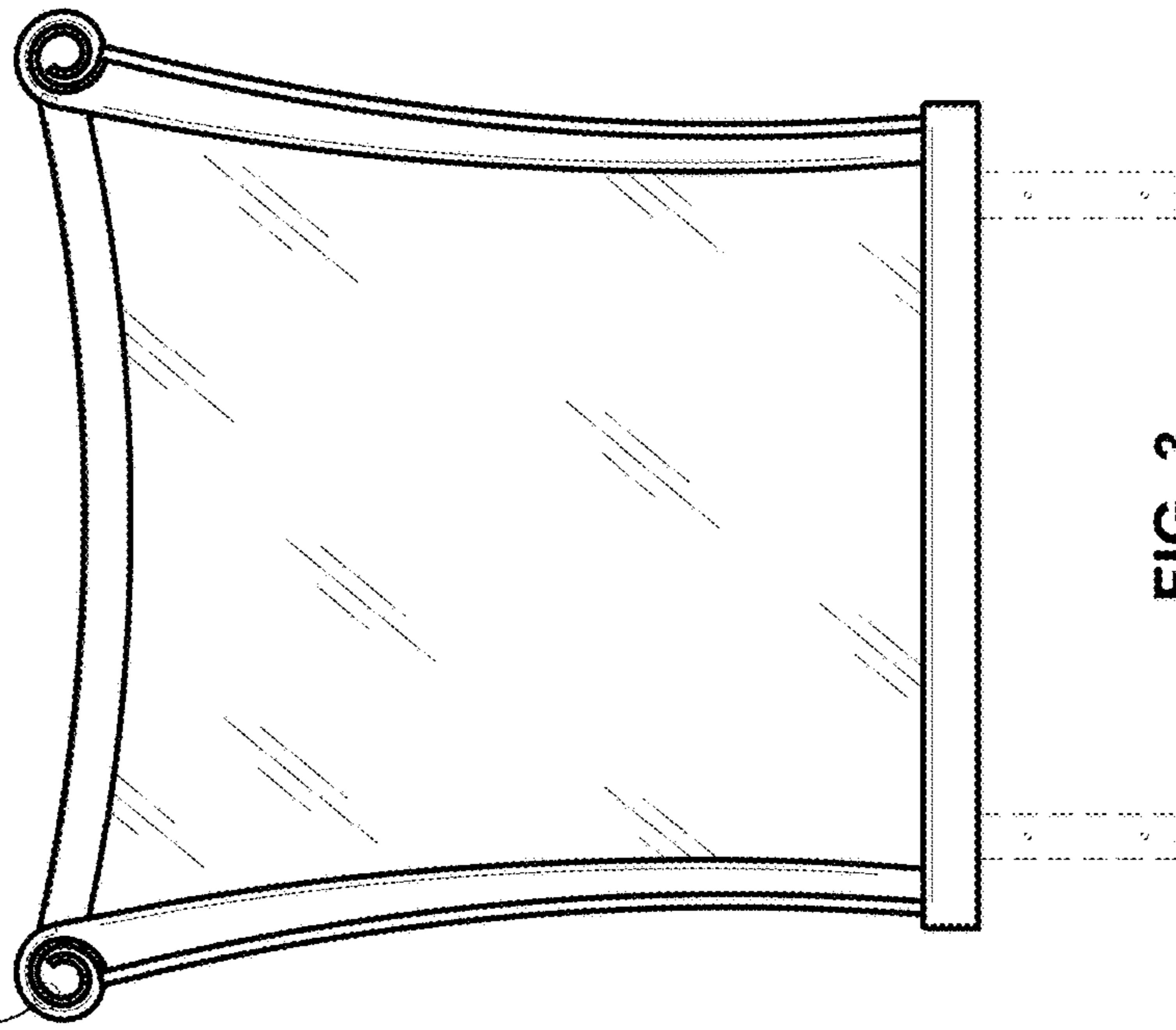


FIG. 3

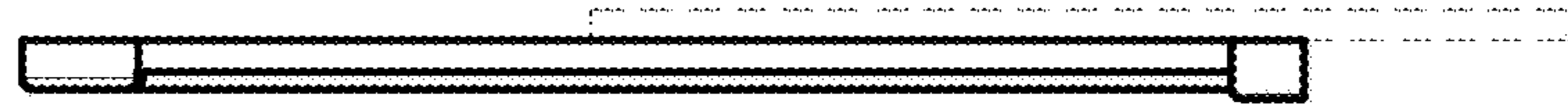


FIG. 4

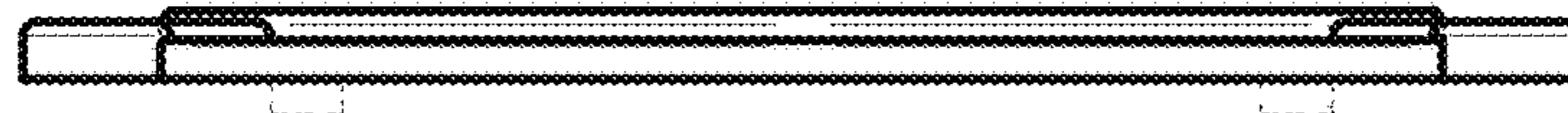


FIG. 5

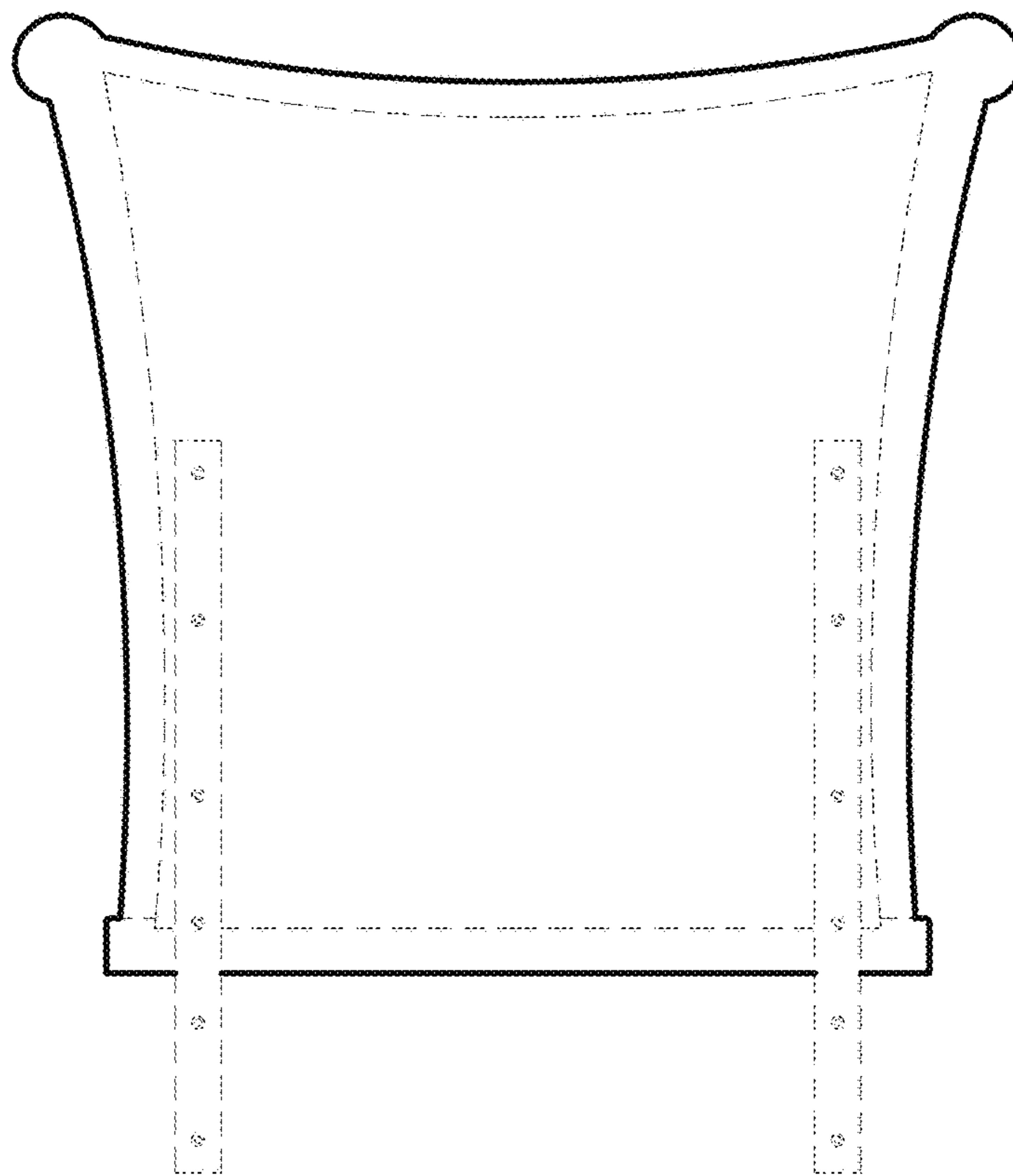


FIG. 6



FIG. 7