



US00D865371S

(12) **United States Design Patent** (10) **Patent No.:** **US D865,371 S**
Sholeen (45) **Date of Patent:** **** Nov. 5, 2019**

(54) **PAINT APPLICATOR PROTECTOR**
(71) Applicant: **Derek Sholeen**, Dallas, TX (US)
(72) Inventor: **Derek Sholeen**, Dallas, TX (US)
(**) Term: **15 Years**

D560,366 S *	1/2008	Phillips	D4/199
D562,010 S *	2/2008	Goulet	D4/199
D595,510 S *	7/2009	Choi	D4/199
D622,963 S *	9/2010	Paik	D4/199
D623,862 S *	9/2010	Nitzsche	D4/199
D661,907 S *	6/2012	Birkland	D4/199
D727,034 S *	4/2015	Lewis	D4/199
D784,029 S *	4/2017	Hammond	D4/199
D812,381 S *	3/2018	Walls	D4/199

(21) Appl. No.: **29/651,019**
(22) Filed: **Oct. 24, 2017**
(51) **LOC (12) Cl.** **04-99**
(52) **U.S. Cl.**
USPC **D4/199**
(58) **Field of Classification Search**
USPC D3/228, 269, 300; D4/199; D9/702,
D9/711, 712; 15/246, 247; 150/161;
206/15.3, 284, 361, 362.2, 362.3, 362.4;
428/34.3
CPC .. A46B 17/04; A46B 2200/202; B65D 25/105
See application file for complete search history.

* cited by examiner

Primary Examiner — Austin Murphy
(74) *Attorney, Agent, or Firm* — Grable Martin Fulton
PLLC; Spencer C. Patterson

(57) **CLAIM**

The ornamental design for a paint applicator protector, as shown and described.

DESCRIPTION

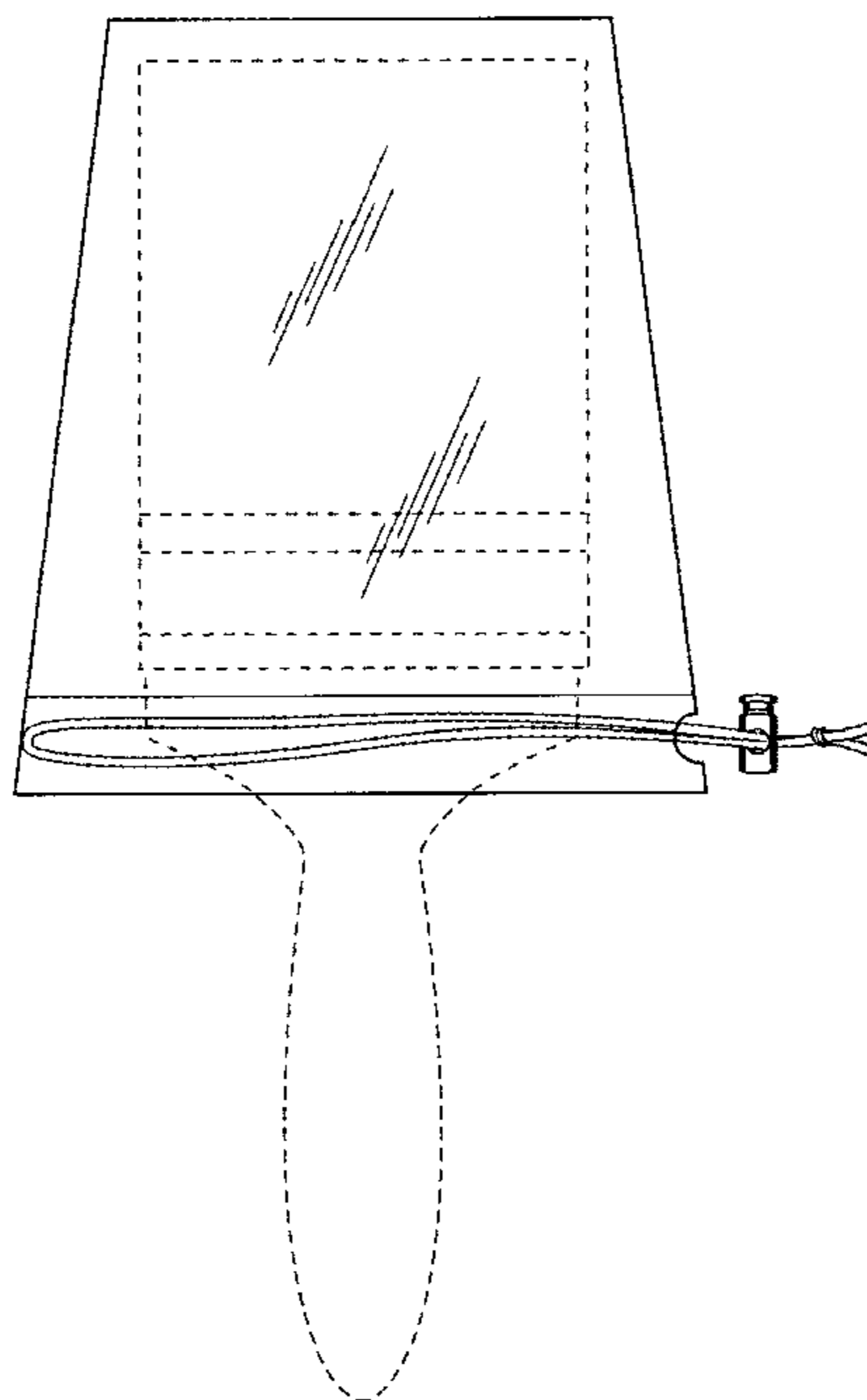
FIG. 1 is a perspective view of a paint applicator protector showing my new design;
FIG. 2 is a top plan view, including the environmental structure of a paint brush, with the bottom plan view being substantially a mirror thereof; and,
FIG. 3 is a top plan view, including the environmental structure of a paint brush, showing the paint applicator protector in a closed position.
My paint applicator protector is characterized by a clear sheath narrowing from an open end to a closed end, with a cord threaded through a casing at the open end and a lock on the cord.

(56) **References Cited**

U.S. PATENT DOCUMENTS

D329,144 S *	9/1992	Kurtz	D4/199
D335,032 S *	4/1993	Durkin, III	D4/199
D350,234 S *	9/1994	Losole	D4/199
D393,545 S *	4/1998	Fernandes	D4/199
D401,765 S *	12/1998	Soutullo	D4/199
D436,450 S *	1/2001	Wilson	D4/199
D457,732 S *	5/2002	Ray	D4/199
D491,730 S *	6/2004	Goulet	D4/199
D502,604 S *	3/2005	Haefele	D4/113
D503,282 S *	3/2005	Murphy	D4/199
D510,813 S *	10/2005	Gilman	D3/228
D511,412 S *	11/2005	Madrid	D3/228

1 Claim, 3 Drawing Sheets



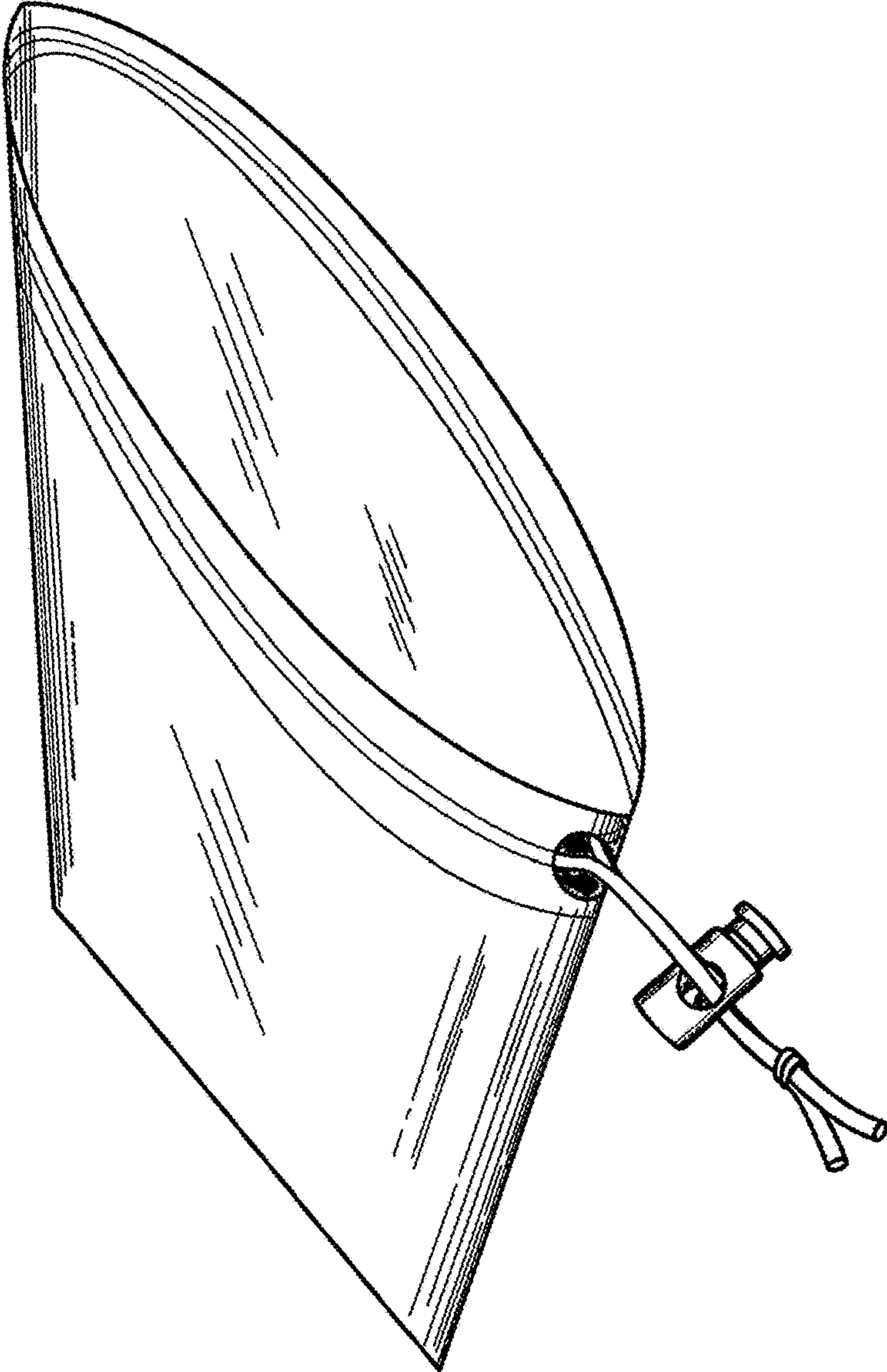


FIG 1

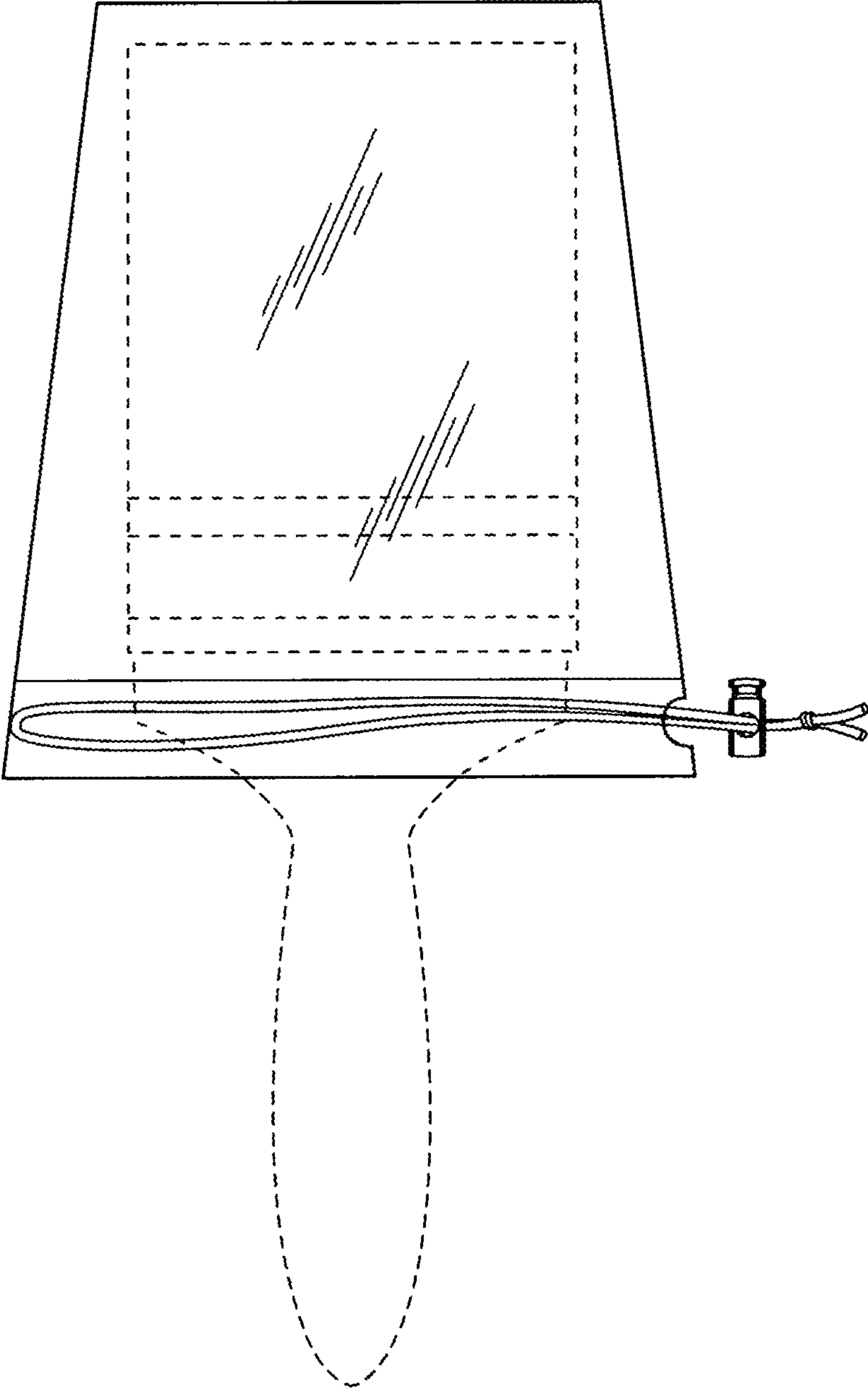


FIG 2

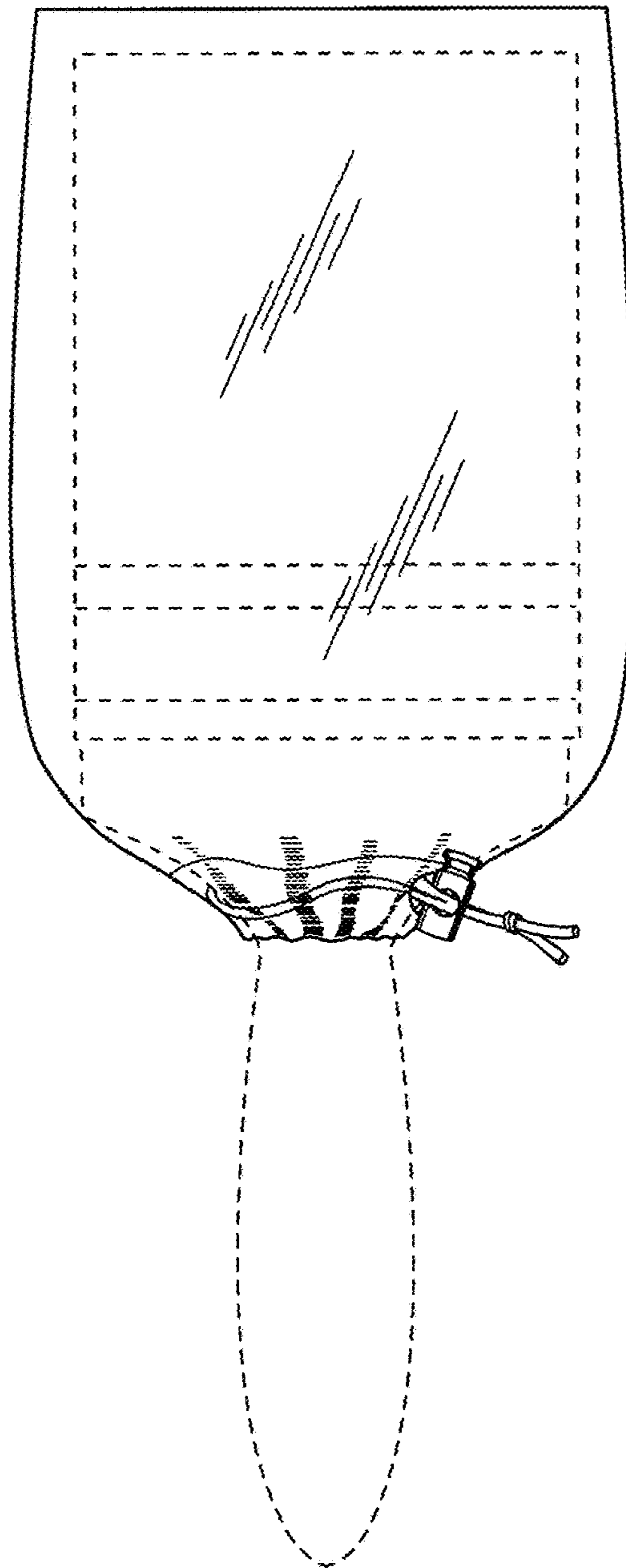


FIG 3