

US00D865368S

(12) **United States Design Patent** (10) **Patent No.:** **US D865,368 S**
Jimenez et al. (45) **Date of Patent:** **** Nov. 5, 2019**

(54) **TOOTHBRUSH**

(56) **References Cited**

(71) Applicant: **Colgate-Palmolive Company**, New York, NY (US)

(72) Inventors: **Eduardo Jimenez**, Manalapan, NJ (US); **Dario Alejandro Narvaez Lopez**, North Bergen, NJ (US); **Anthony Baxter**, Upper Montclair, NJ (US); **Mauricio Issa Llano**, Queens, NY (US)

U.S. PATENT DOCUMENTS

D331,664 S	12/1992	Haddad
D337,201 S	7/1993	Haddad
D337,202 S	7/1993	Haddad
D337,890 S	8/1993	Haddad
D351,286 S	10/1994	Tapocik
5,353,464 A	10/1994	Atkins et al.

(Continued)

FOREIGN PATENT DOCUMENTS

CN	300802043	* 7/2008
CN	301763517	* 12/2011

(Continued)

(73) Assignee: **Colgate-Palmolive Company**, New York, NY (US)

(**) Term: **15 Years**

OTHER PUBLICATIONS

(21) Appl. No.: **29/657,721**

Baby Banana Teething Toothbrush for Infants, <http://www.babybananabrush.com/product-category/brushes-and-teethers/>, downloaded from the Internet prior to the date of this application, 2 pages.

(22) Filed: **Jul. 25, 2018**

Primary Examiner — Karen E Eldridge Powers

Related U.S. Application Data

(62) Division of application No. 29/606,137, filed on Jun. 1, 2017, now Pat. No. Des. 826,569.

(51) **LOC (12) Cl.** **04-02**

(52) **U.S. Cl.**
USPC **D4/107**

(58) **Field of Classification Search**
USPC D4/100, 101, 102, 103, 104, 105, 106, D4/107, 108, 109, 110, 111, 112, 113, D4/114, 115, 116, 117, 118, 119, 120, D4/121, 122, 123, 134, 135, 126, 127, D4/128, 129, 130, 131, 132, 133, 136, D4/137, 138, 199; D24/194, 195
CPC A46B 9/02; A46B 9/04; A46B 15/0081; A46B 2200/1066; A46B 2200/1073; A46B 5/02; A46B 9/026

See application file for complete search history.

(57) **CLAIM**

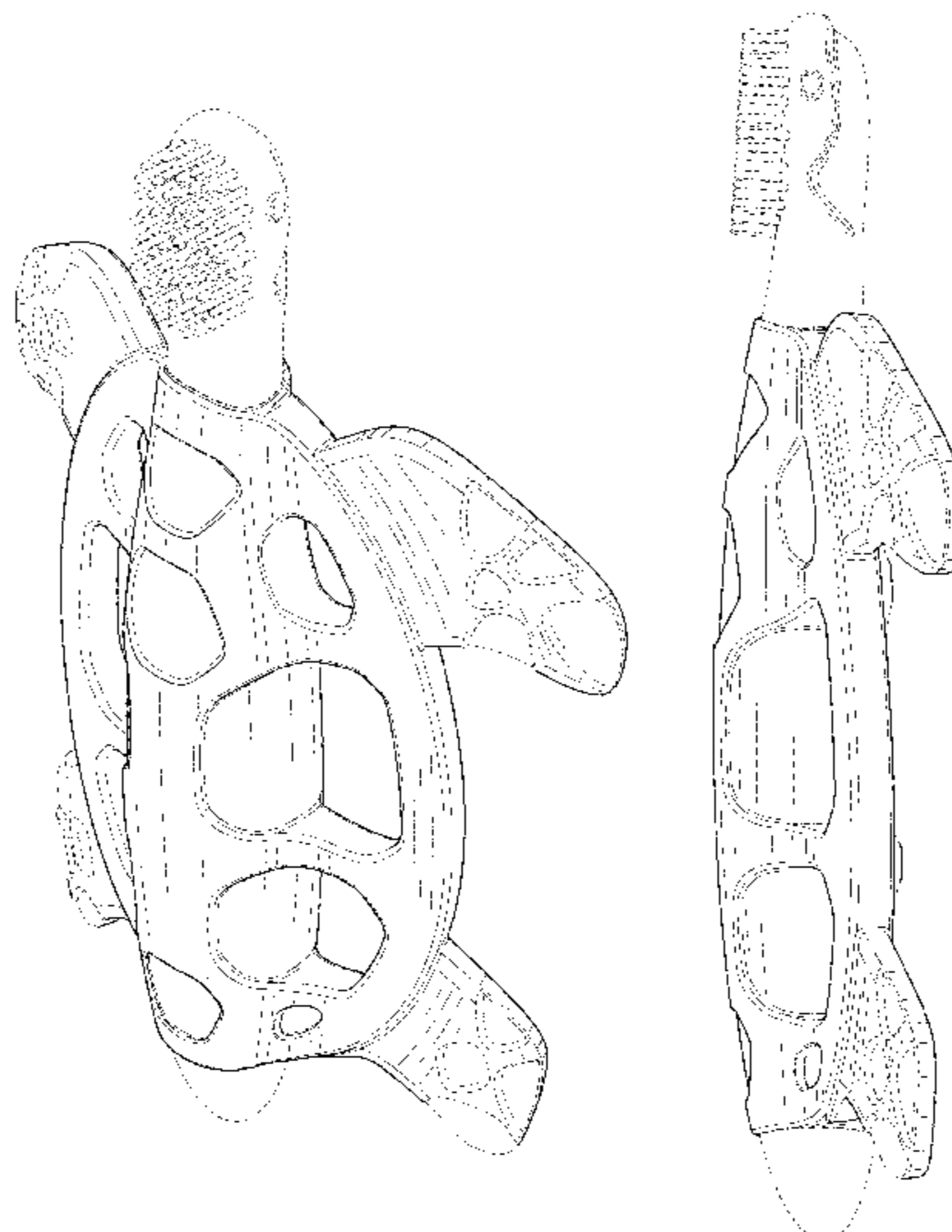
The ornamental design for a toothbrush, as shown and described.

DESCRIPTION

FIG. 1 is a front right perspective view of a toothbrush according to an embodiment of the new design;
FIG. 2 is a rear left perspective view thereof;
FIG. 3 is a front elevation view thereof;
FIG. 4 is a rear elevation view thereof;
FIG. 5 is a right side elevation view thereof;
FIG. 6 is a left side elevation view thereof;
FIG. 7 is a top plan view thereof; and,
FIG. 8 is a bottom plan view thereof.

The broken lines formed by linear segments of equal length illustrate portions of the toothbrush that form no part of the claimed design. The broken lines formed by a dash-dot-dash sequence represent an unclaimed boundary.

1 Claim, 6 Drawing Sheets



(56)

References Cited

U.S. PATENT DOCUMENTS

D371,001 S 6/1996 Meeks
 D388,615 S 1/1998 Phillips
 D404,573 S 1/1999 Haddad
 D409,036 S * 5/1999 Bear D21/603
 D415,898 S 11/1999 Haddad
 D452,380 S 12/2001 Cheong et al.
 D452,382 S 12/2001 Cheong et al.
 D461,642 S 8/2002 Blaustein et al.
 D555,740 S * 11/2007 Johnson D11/158
 D566,400 S 4/2008 Phillips
 D580,997 S * 11/2008 Johnson D21/603
 D609,283 S * 2/2010 Johnson D21/603
 D615,305 S 5/2010 Thomas
 D619,370 S 7/2010 Tegeder et al.
 7,917,986 B2 4/2011 Jimenez et al.
 D677,745 S 3/2013 Oestreicher et al.

D688,046 S 8/2013 Aslett et al.
 D690,942 S 10/2013 Thomas
 D745,283 S 12/2015 Phillips et al.
 D770,054 S 10/2016 Pauschitz
 D776,208 S * 1/2017 Johnson D21/603
 D778,616 S 2/2017 Tegeder et al.
 D799,836 S 10/2017 Bauernfeind et al.
 9,826,822 B2 11/2017 Geiberger et al.
 D822,389 S * 7/2018 Zwimpfer D4/107
 D826,569 S * 8/2018 Jimenez D4/107
 D826,570 S * 8/2018 Jimenez D4/107
 D828,037 S * 9/2018 Jimenez D4/110
 2010/0319149 A1 12/2010 Phillips

FOREIGN PATENT DOCUMENTS

WO D089878-002 6/2016
 WO WO-D089878-002 * 6/2016

* cited by examiner

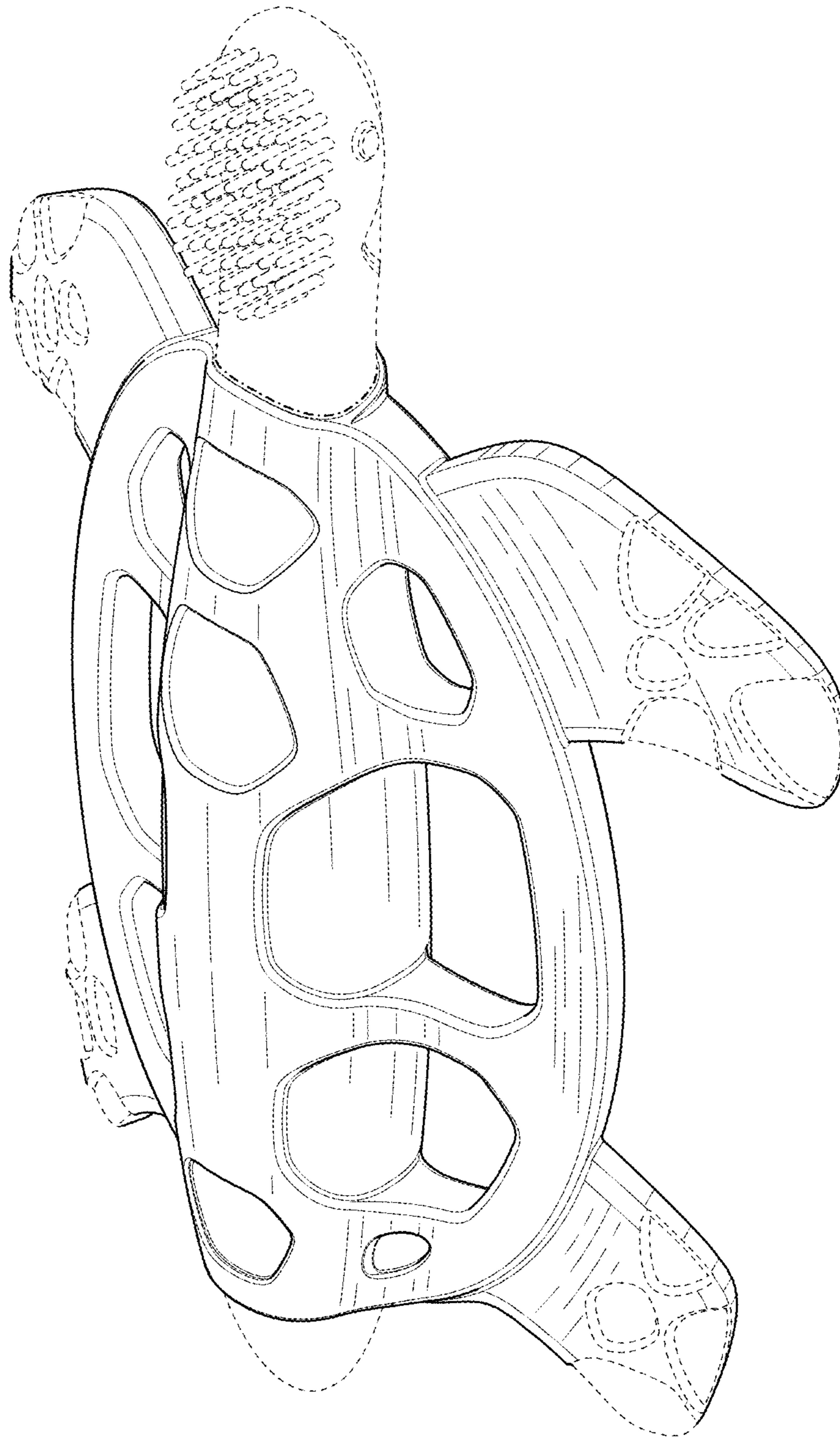


FIG. 1

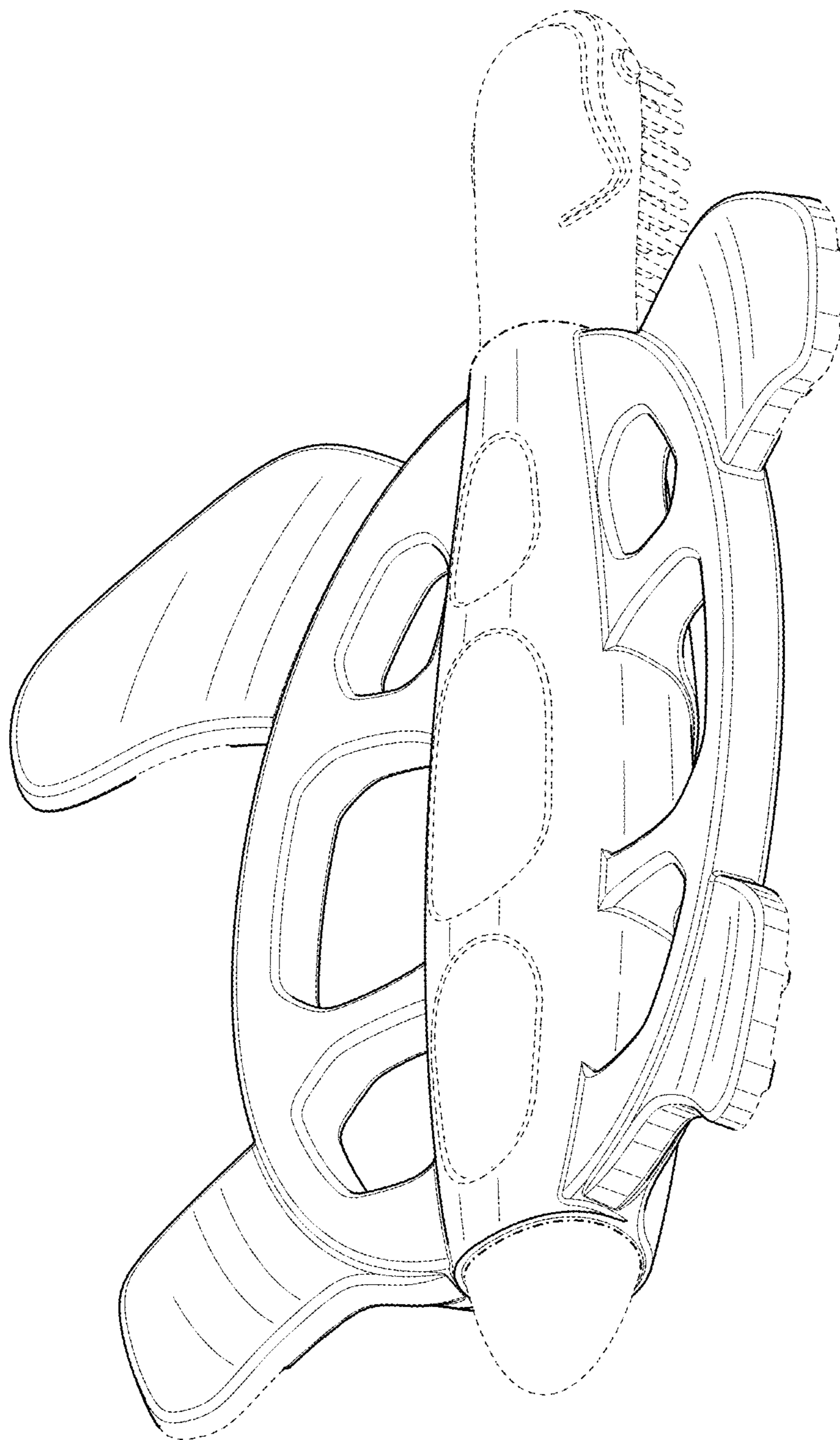


FIG. 2

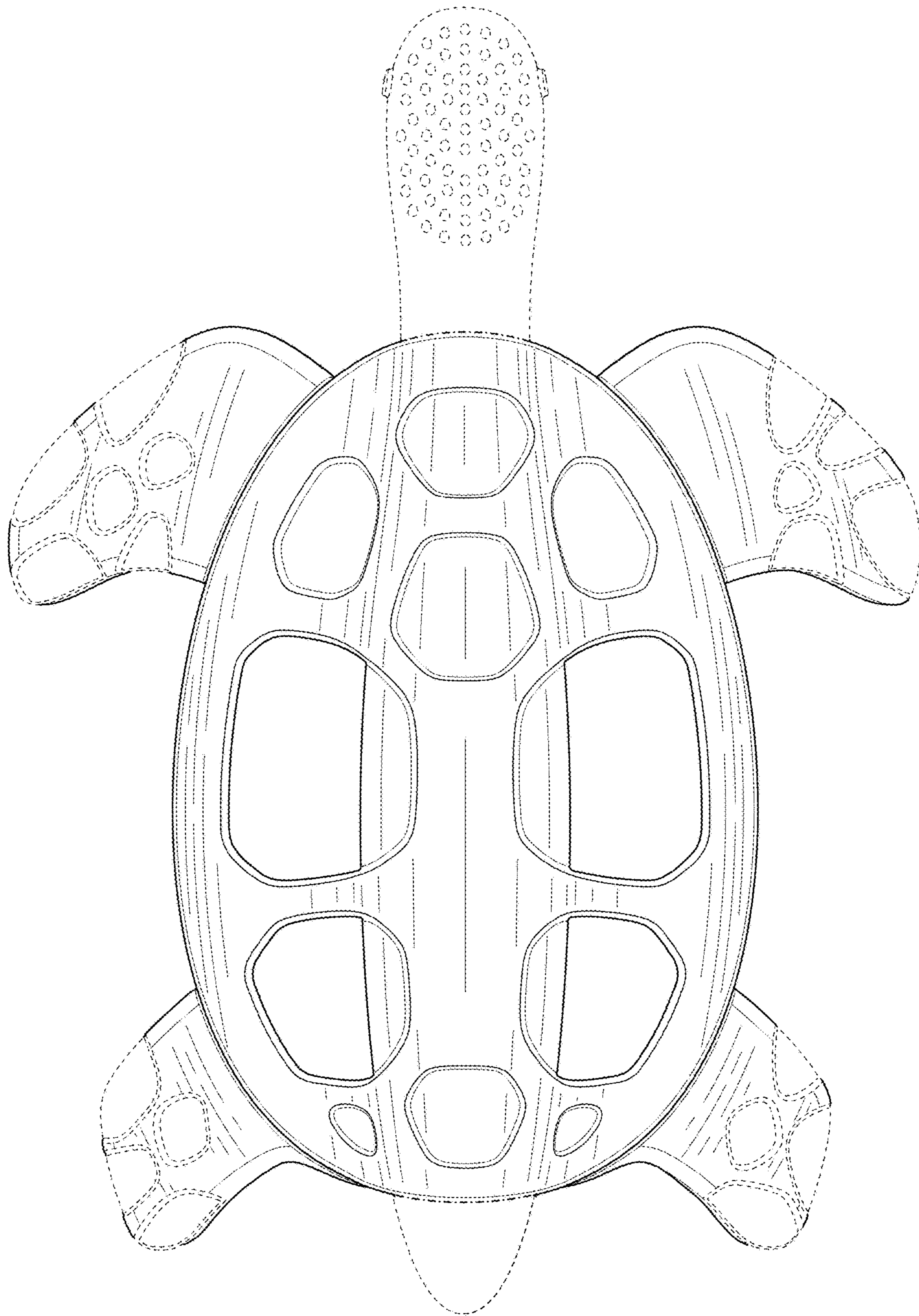


FIG. 3

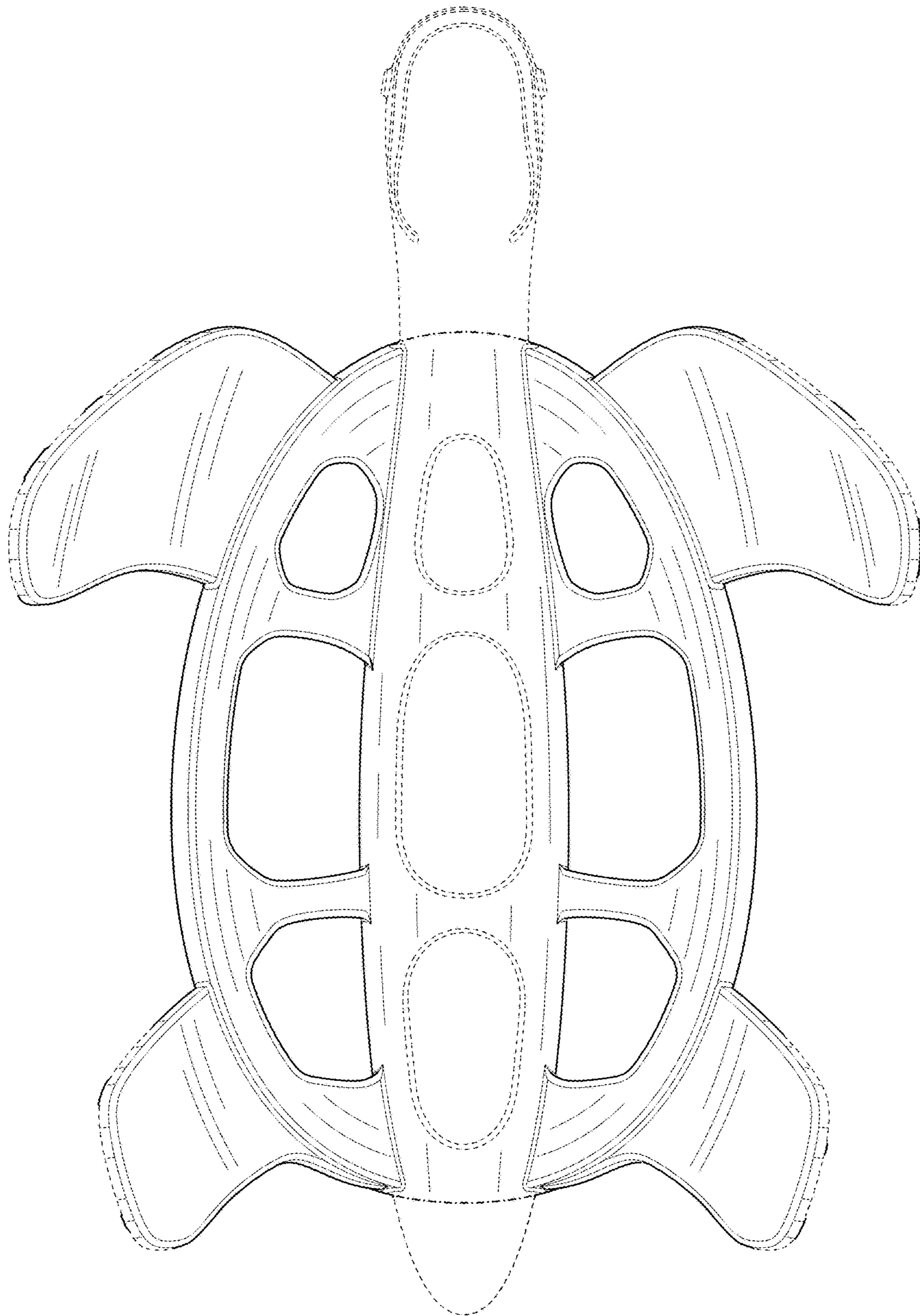


FIG. 4

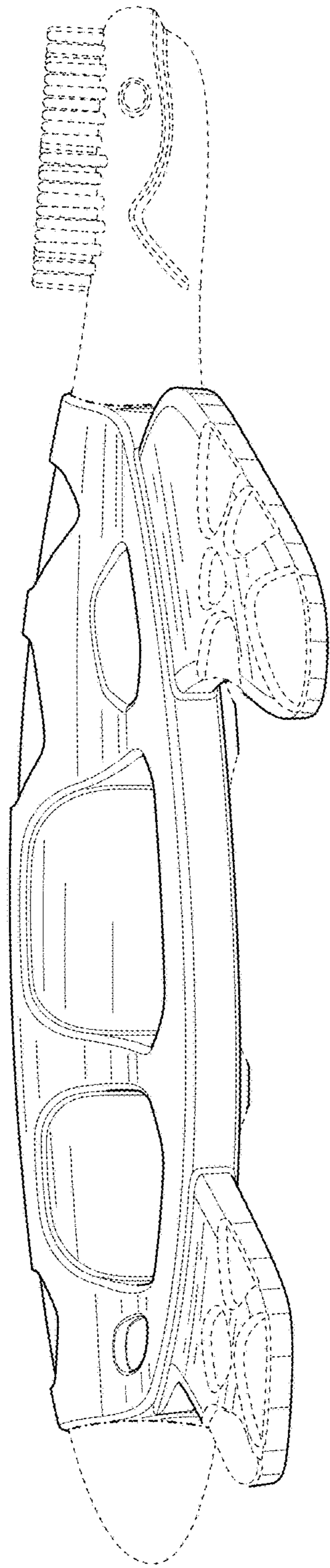


FIG. 5

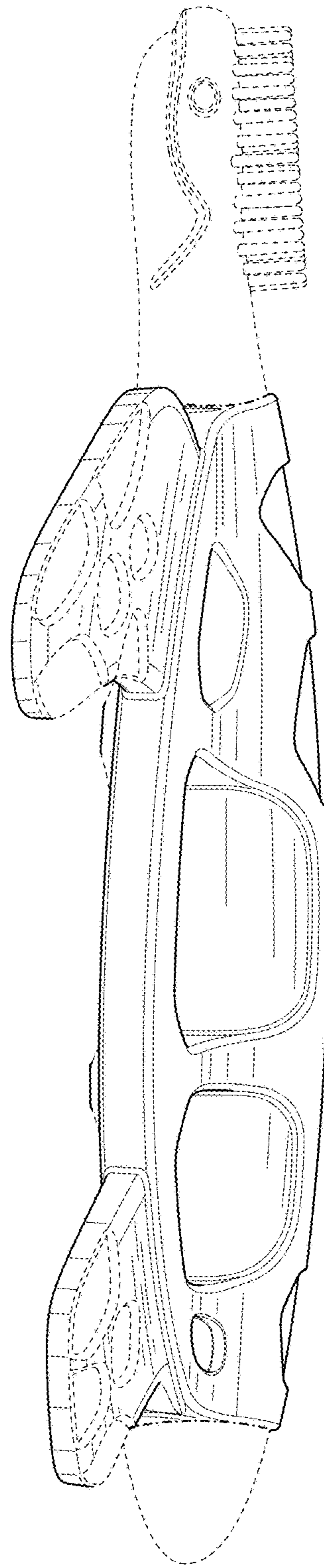


FIG. 6

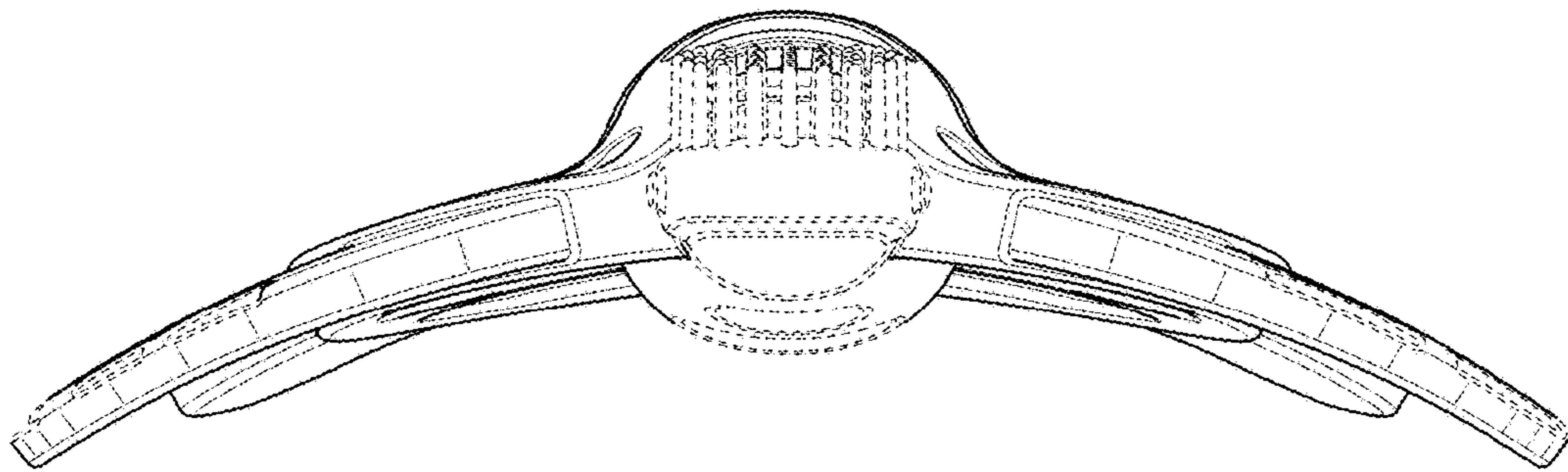


FIG. 7

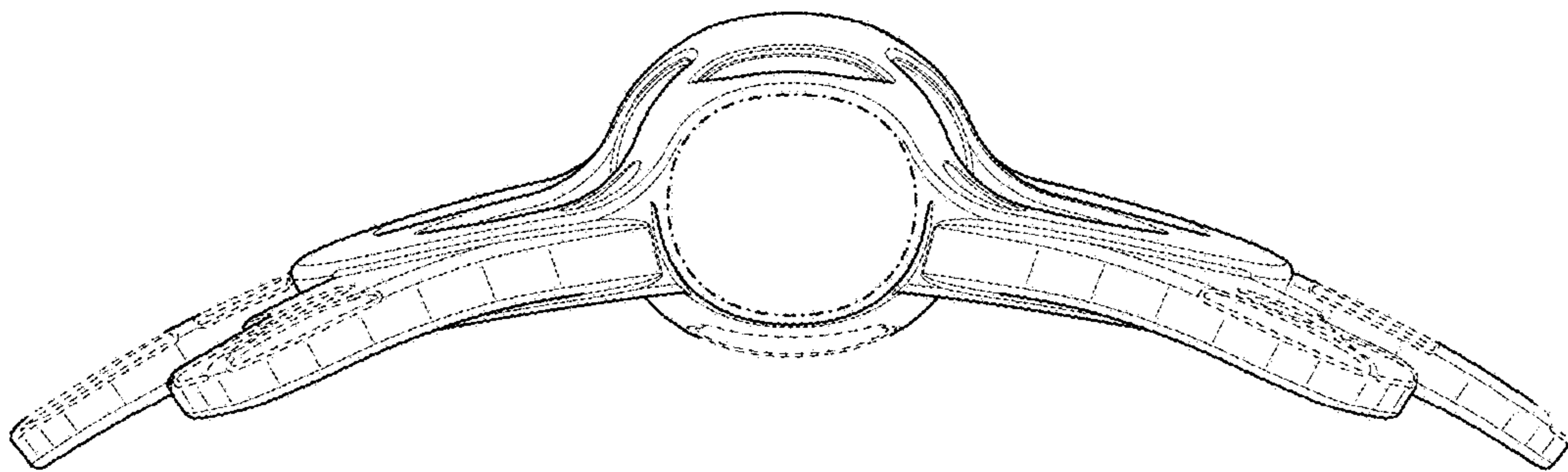


FIG. 8