



US00D865366S

(12) **United States Design Patent** (10) **Patent No.:** **US D865,366 S**  
**Zhong** (45) **Date of Patent:** **\*\* Nov. 5, 2019**

- (54) **HAND STRAP**
- (71) Applicant: **GETAC TECHNOLOGY CORPORATION**, Hsinchu County (TW)
- (72) Inventor: **Shi Liang Zhong**, Taipei (TW)
- (73) Assignee: **GETAC TECHNOLOGY CORPORATION**, Hsinchu County (TW)
- (\*\*) Term: **15 Years**
- (21) Appl. No.: **29/657,213**
- (22) Filed: **Jul. 19, 2018**
- (51) **LOC (12) Cl.** ..... **03-01**
- (52) **U.S. Cl.**  
USPC ..... **D3/327; D3/318**
- (58) **Field of Classification Search**  
USPC ..... **D3/318, 327**  
CPC ..... **A45F 5/10; A45F 5/14; A45F 3/04; A63B 55/00**  
See application file for complete search history.

- 2011/0299231 A1\* 12/2011 Gaddis, II ..... H05K 5/023 361/679.01
- 2014/0361057 A1\* 12/2014 Gardner ..... A45F 5/00 224/222
- 2015/0173497 A1\* 6/2015 Yu ..... A45F 5/00 224/218

\* cited by examiner  
*Primary Examiner* — Holly H Baynham

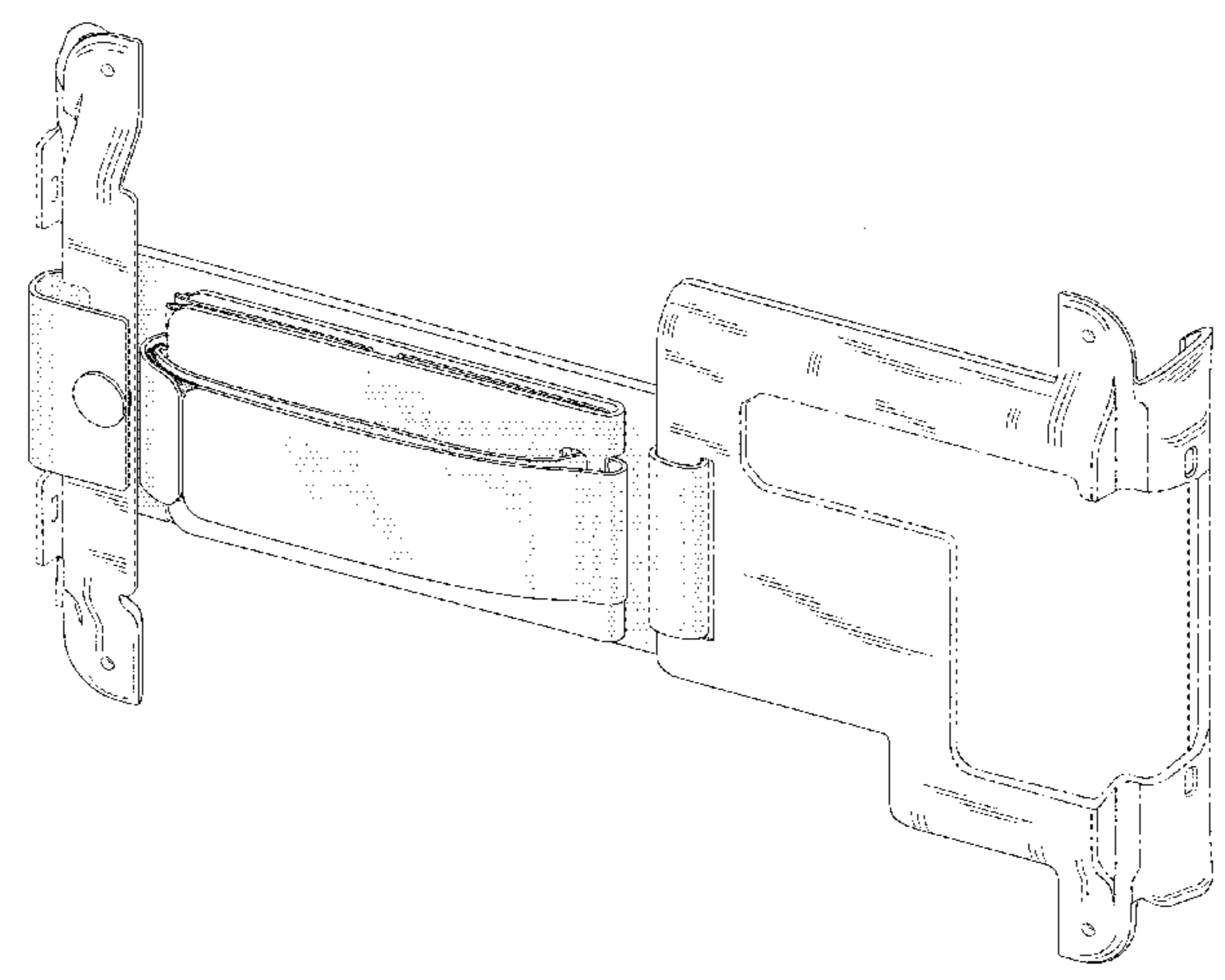
(57) **CLAIM**

The ornamental design for a hand strap, as shown and described.

**DESCRIPTION**

FIG. 1 is a perspective view of a hand strap showing my new design;  
FIG. 2 is a front view thereof;  
FIG. 3 is a rear view thereof;  
FIG. 4 is a left side view thereof;  
FIG. 5 is a right side view thereof;  
FIG. 6 is a top view thereof;  
FIG. 7 is a bottom view thereof;  
FIG. 8 is another perspective view showing the hand strap being in a usage state;  
FIG. 9 is another perspective view showing the hand strap for use with a portable electronic device; and,  
FIG. 10 is another perspective view showing the hand strap to support a portable electronic device.  
The broken lines shown as dot-dash represent the bounds of the claim and all other broken lines showing the electronic device and the bracket elements are for the purposes of illustrating the environment. None of the broken lines form a part of the claimed design.

**1 Claim, 10 Drawing Sheets**



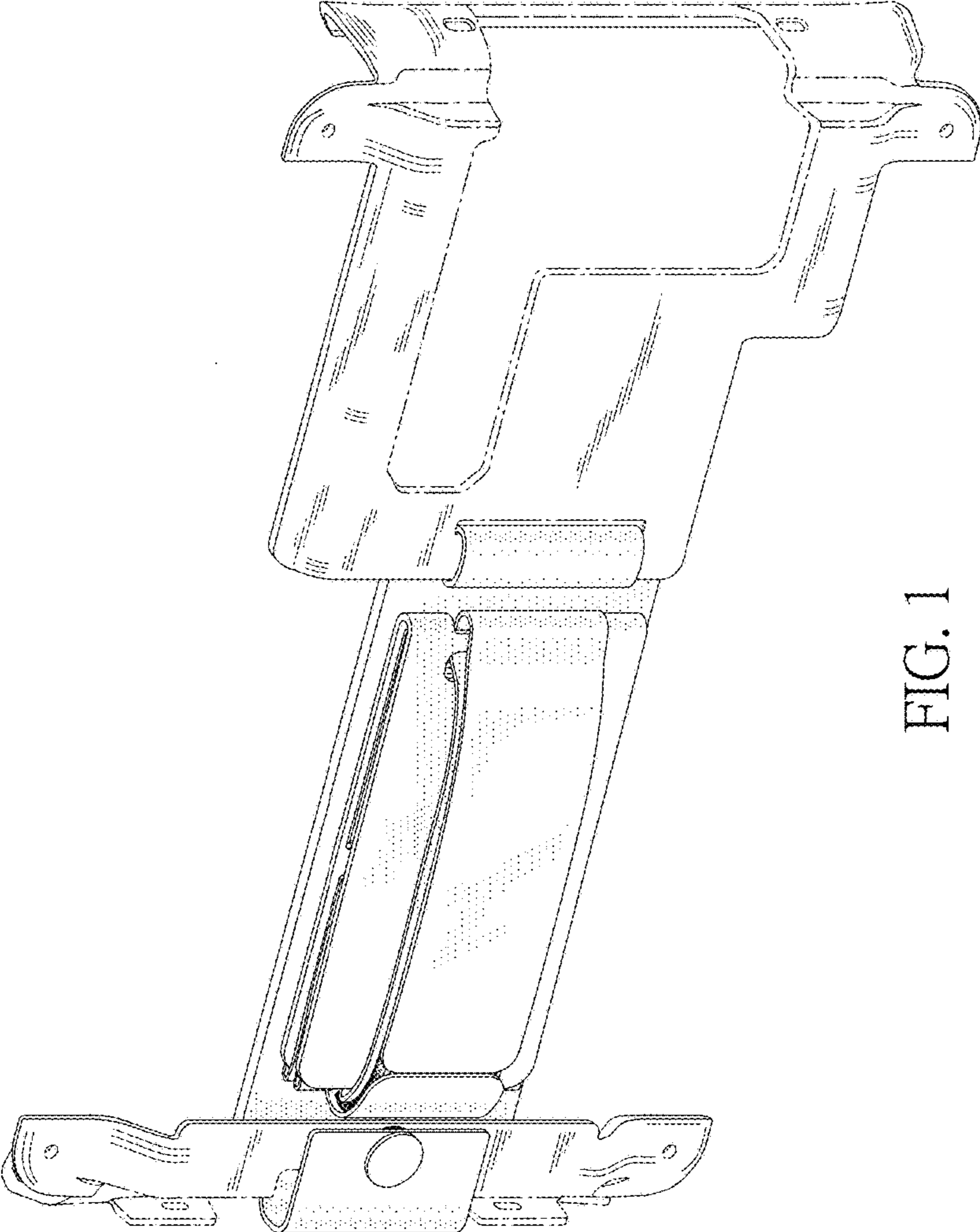


FIG. 1

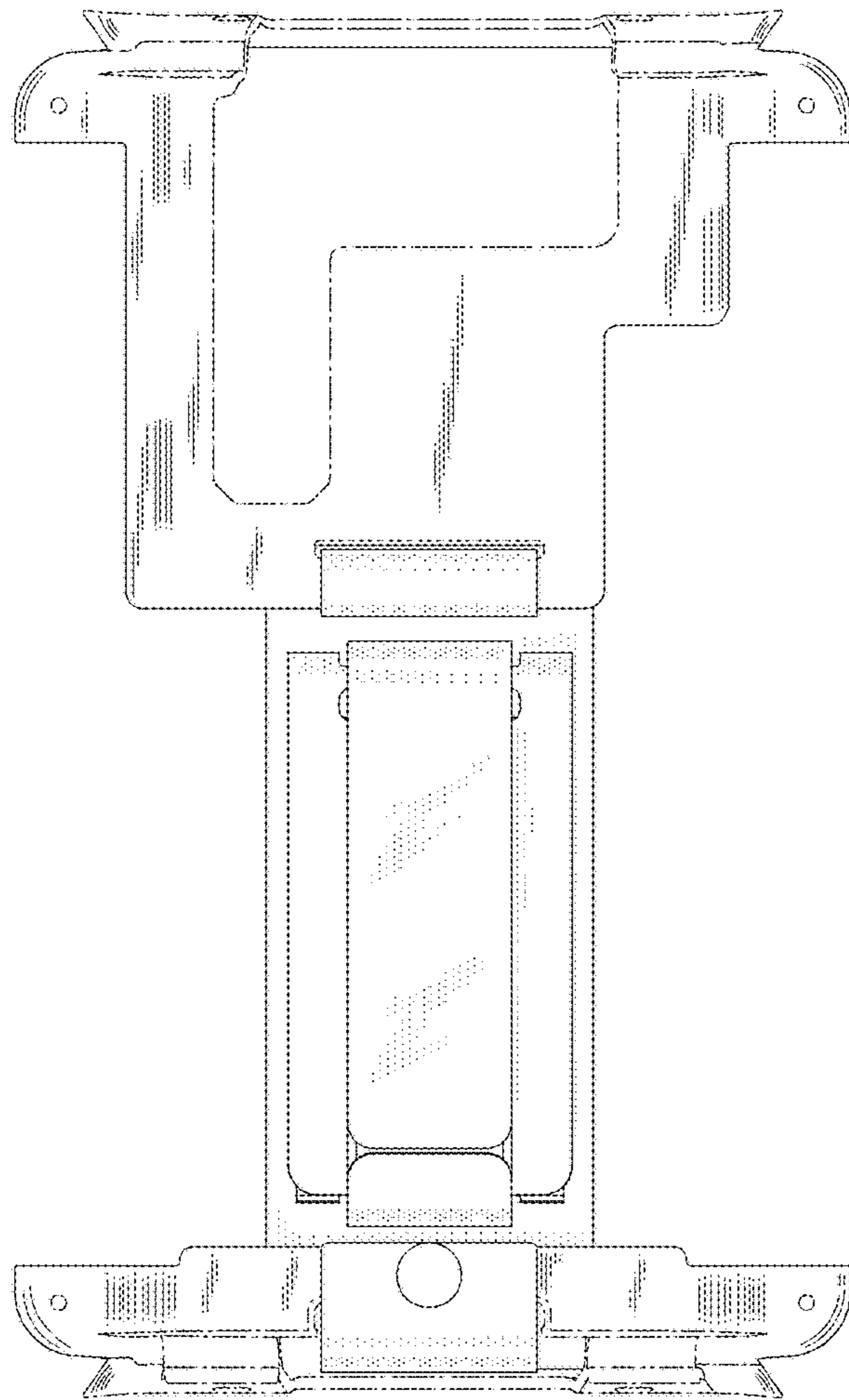


FIG. 2

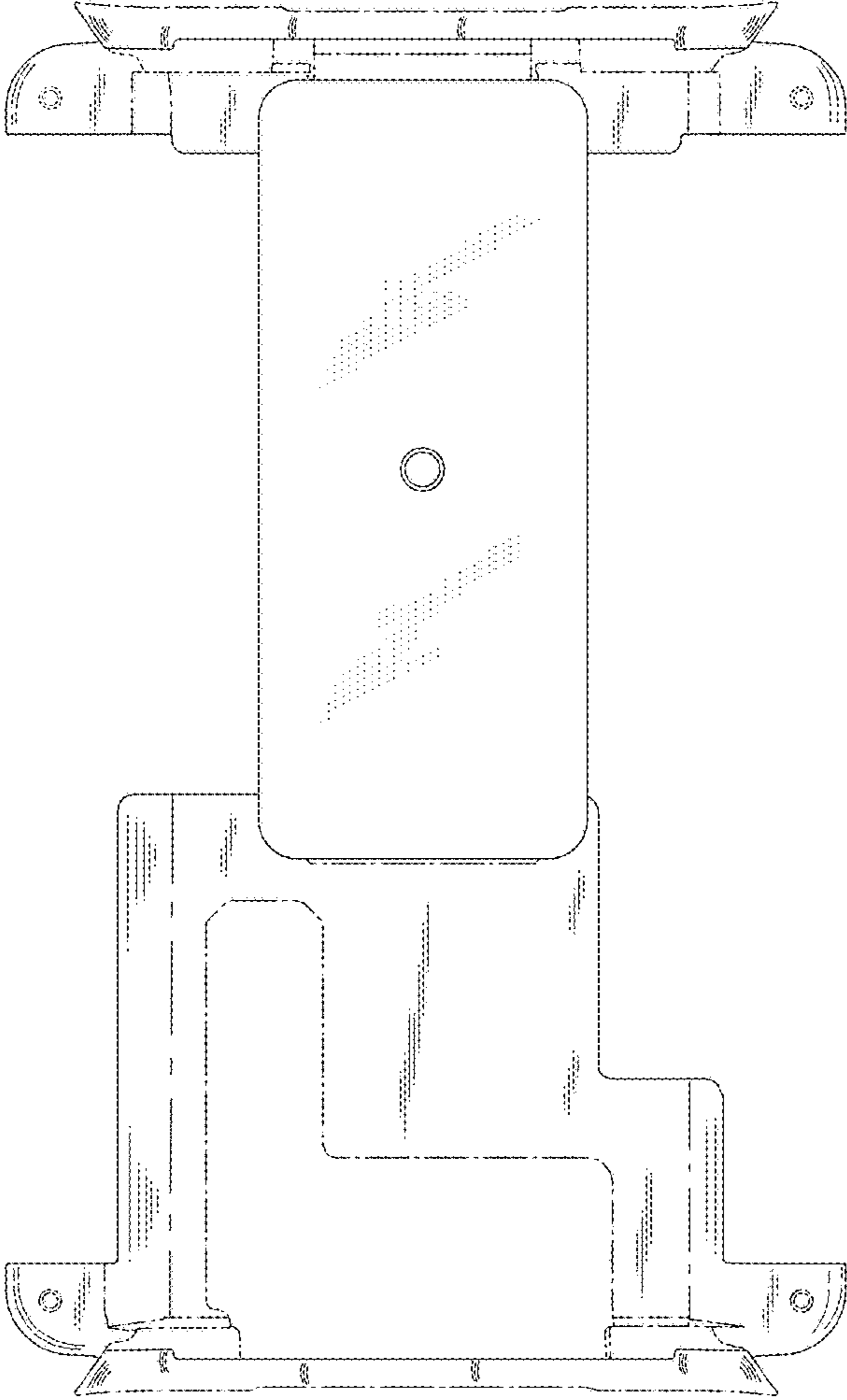


FIG. 3

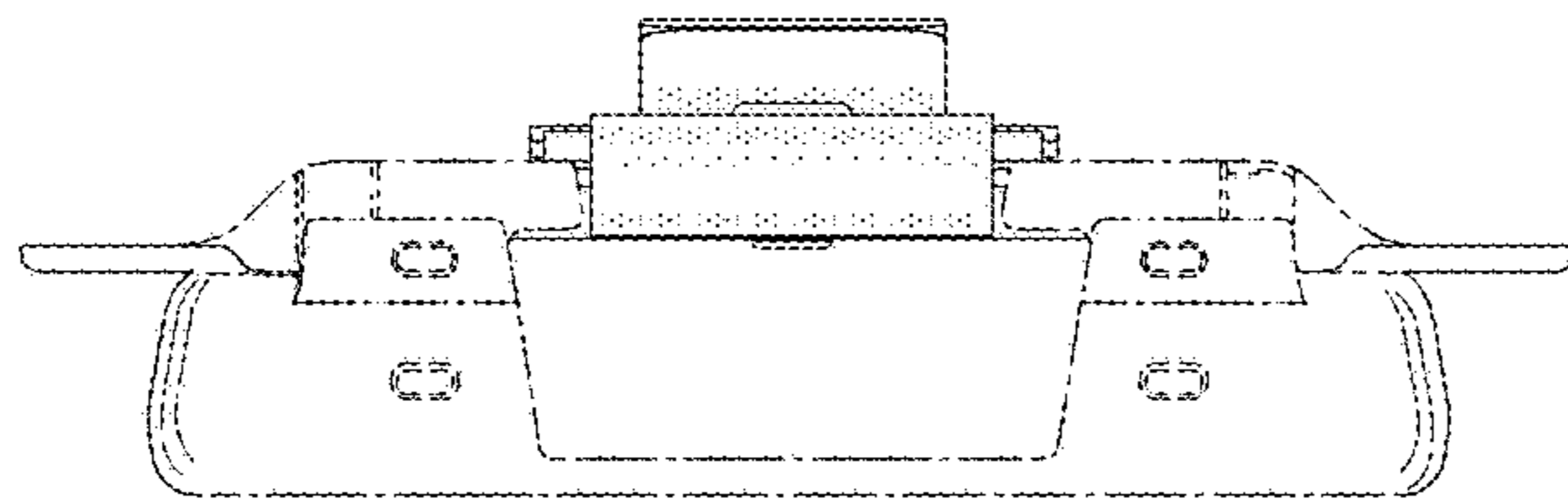


FIG. 4

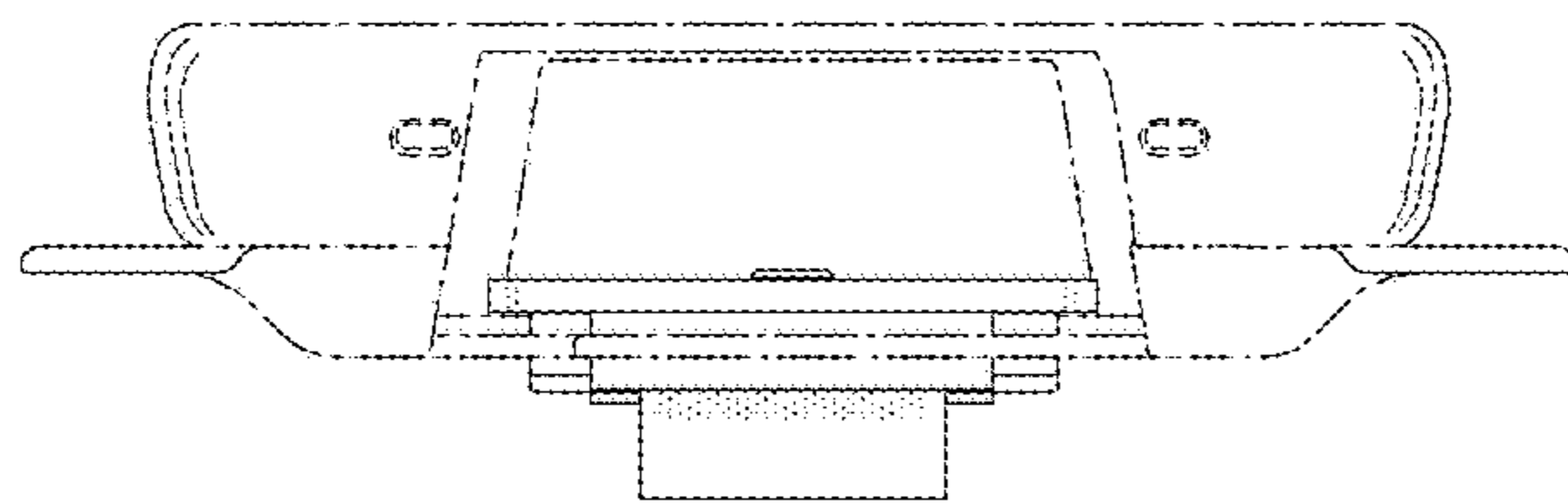


FIG. 5

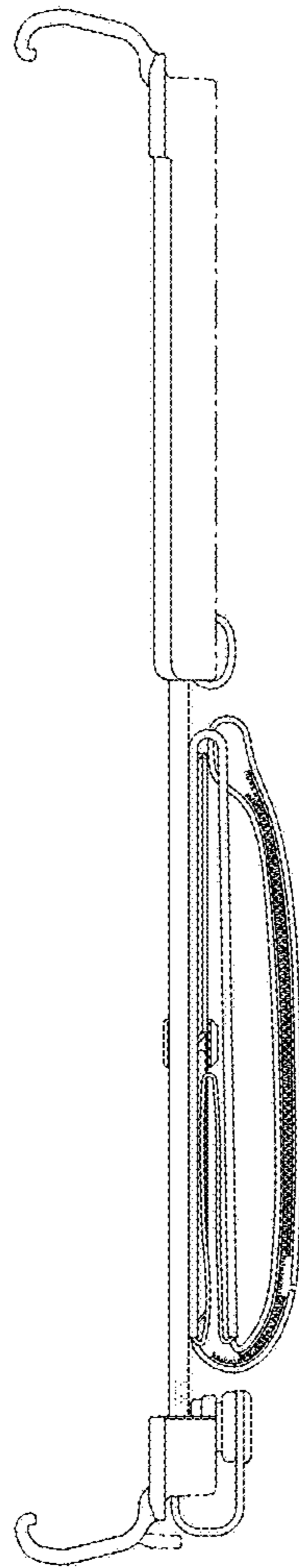


FIG. 6

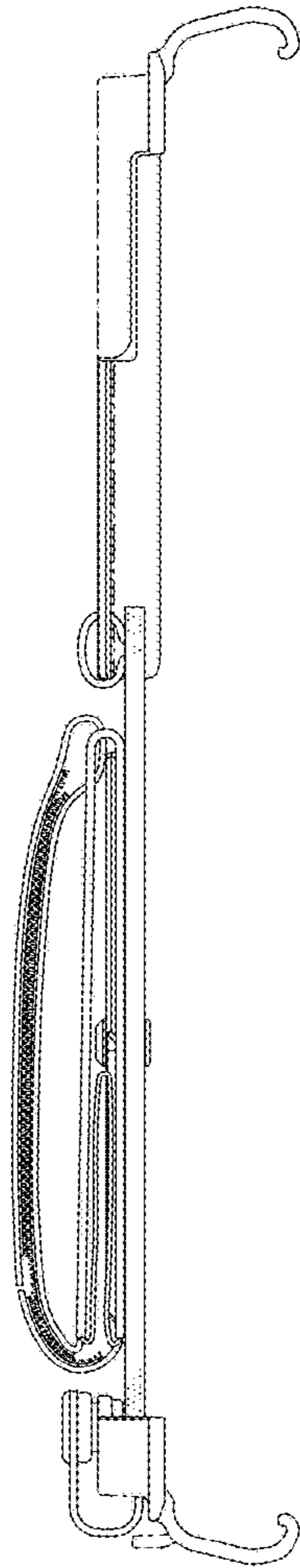


FIG. 7



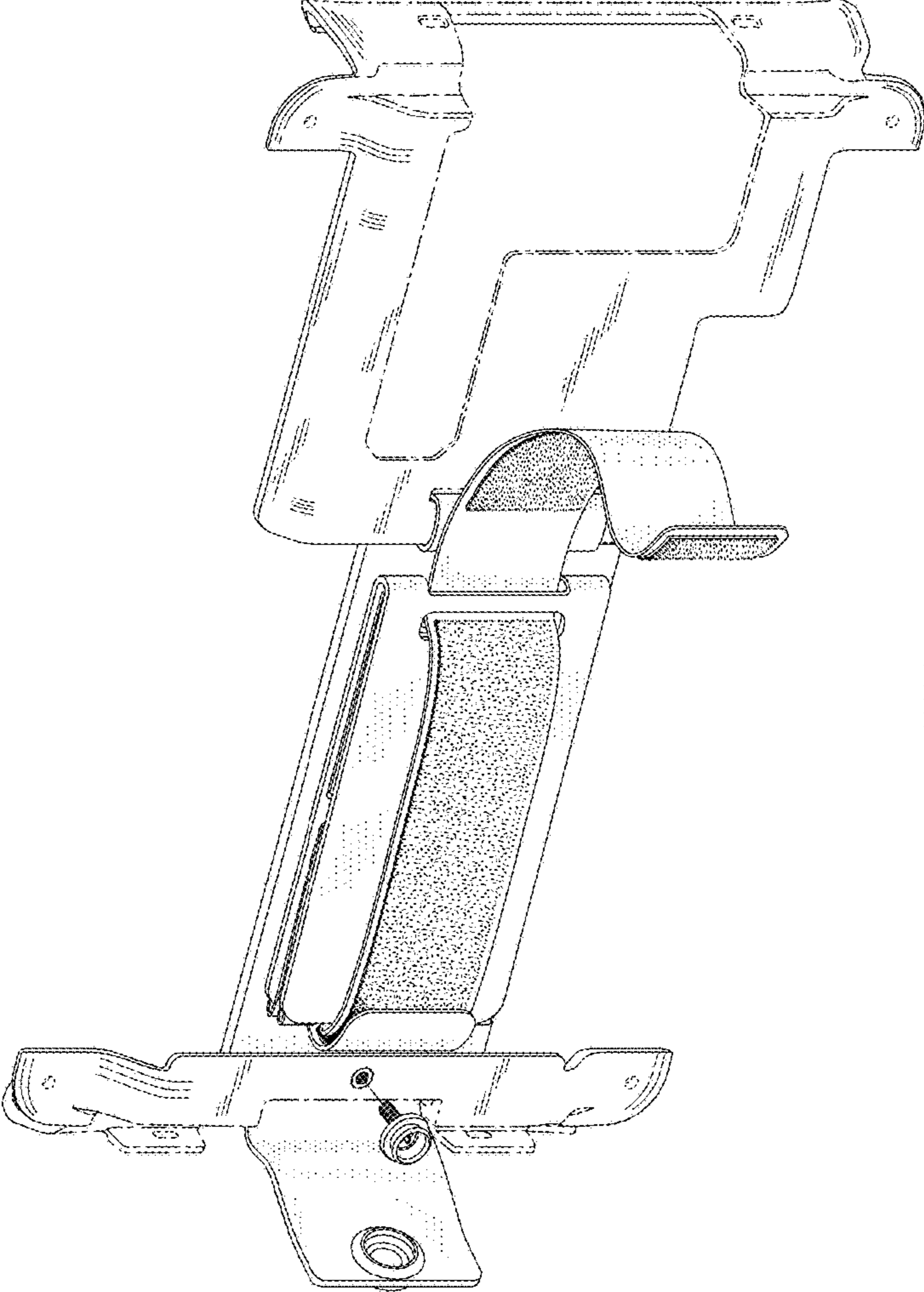


FIG. 8

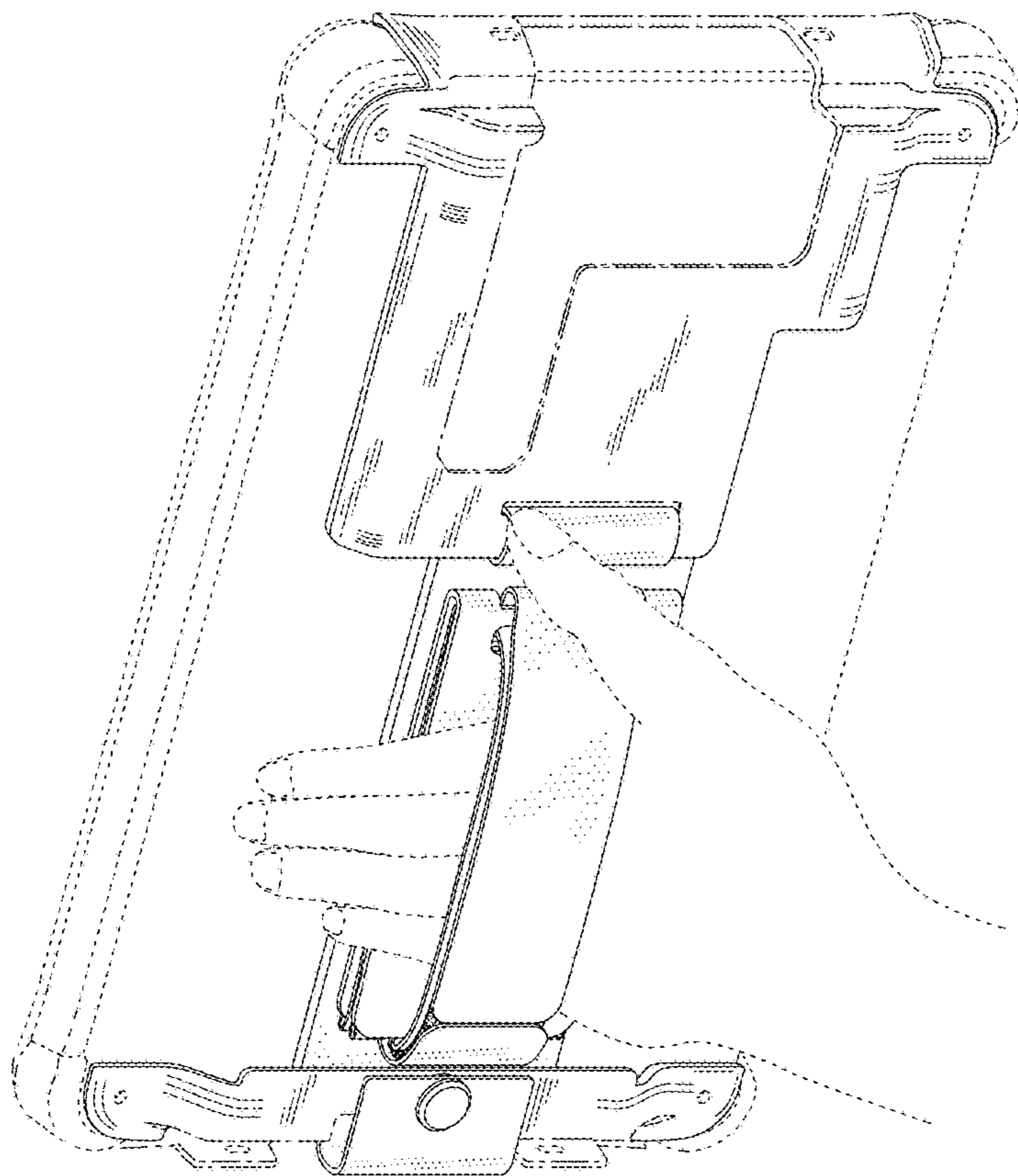


FIG. 9

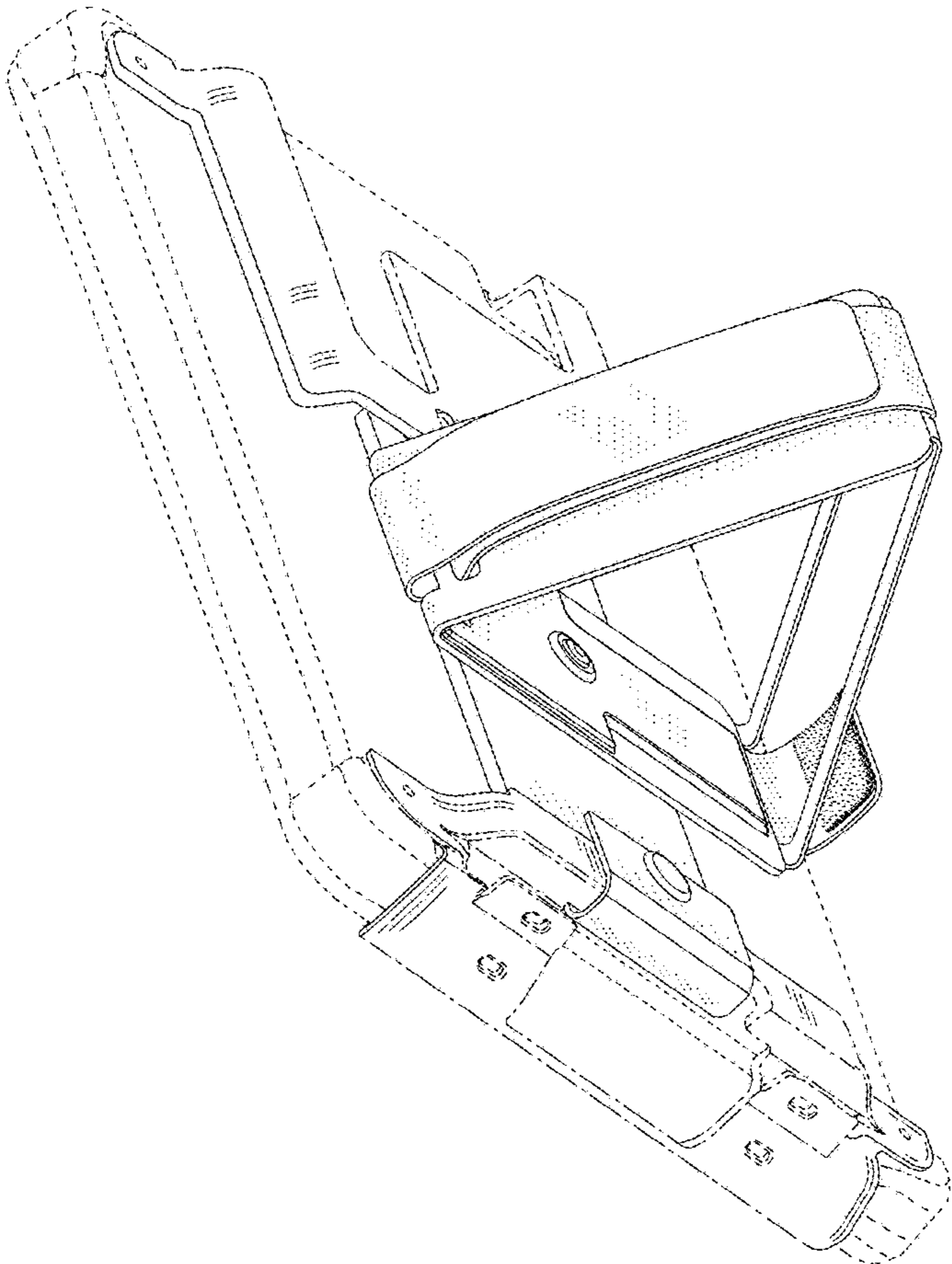


FIG. 10