



US00D865363S

(12) **United States Design Patent** (10) **Patent No.:** **US D865,363 S**
Liu (45) **Date of Patent:** **** Nov. 5, 2019**

(54) **FIREPROOF BAG**
(71) Applicant: **Shenzhen Yihuaxing Technology Co., Ltd.**, Shenzhen (CN)
(72) Inventor: **Yuming Liu**, Lianyuan (CN)
(**) Term: **15 Years**
(21) Appl. No.: **29/701,414**
(22) Filed: **Aug. 12, 2019**
(51) **LOC (12) Cl.** **03-01**
(52) **U.S. Cl.**
USPC **D3/303**; D3/301; D9/702
(58) **Field of Classification Search**
USPC D3/201, 205, 242, 273, 274, 275, 276,
D3/279, 281, 282, 283, 284, 289, 292,
D3/294, 295, 296, 297, 299, 301, 302,
D3/901, 903, 905; D9/702
CPC A45C 5/04; A45C 11/00; A45C 11/16
See application file for complete search history.

D687,628 S * 8/2013 Burns D3/226
D711,651 S * 8/2014 Koenig D3/303
D727,027 S * 4/2015 Winters D3/301
D730,195 S 5/2015 Gonlag
D766,076 S 9/2016 Yuan
D804,178 S * 12/2017 Groning D3/299
D819,332 S * 6/2018 Simpson D3/301
D820,596 S * 6/2018 Greenwald D3/299
D824,672 S * 8/2018 Jusic D3/299
D828,032 S * 9/2018 Brundage D3/303
D831,498 S 10/2018 Zhang
D844,987 S * 4/2019 Nickels D3/301

* cited by examiner

Primary Examiner — Holly E Thurman

(57) **CLAIM**

The ornamental design for a fireproof bag, as shown and described.

DESCRIPTION

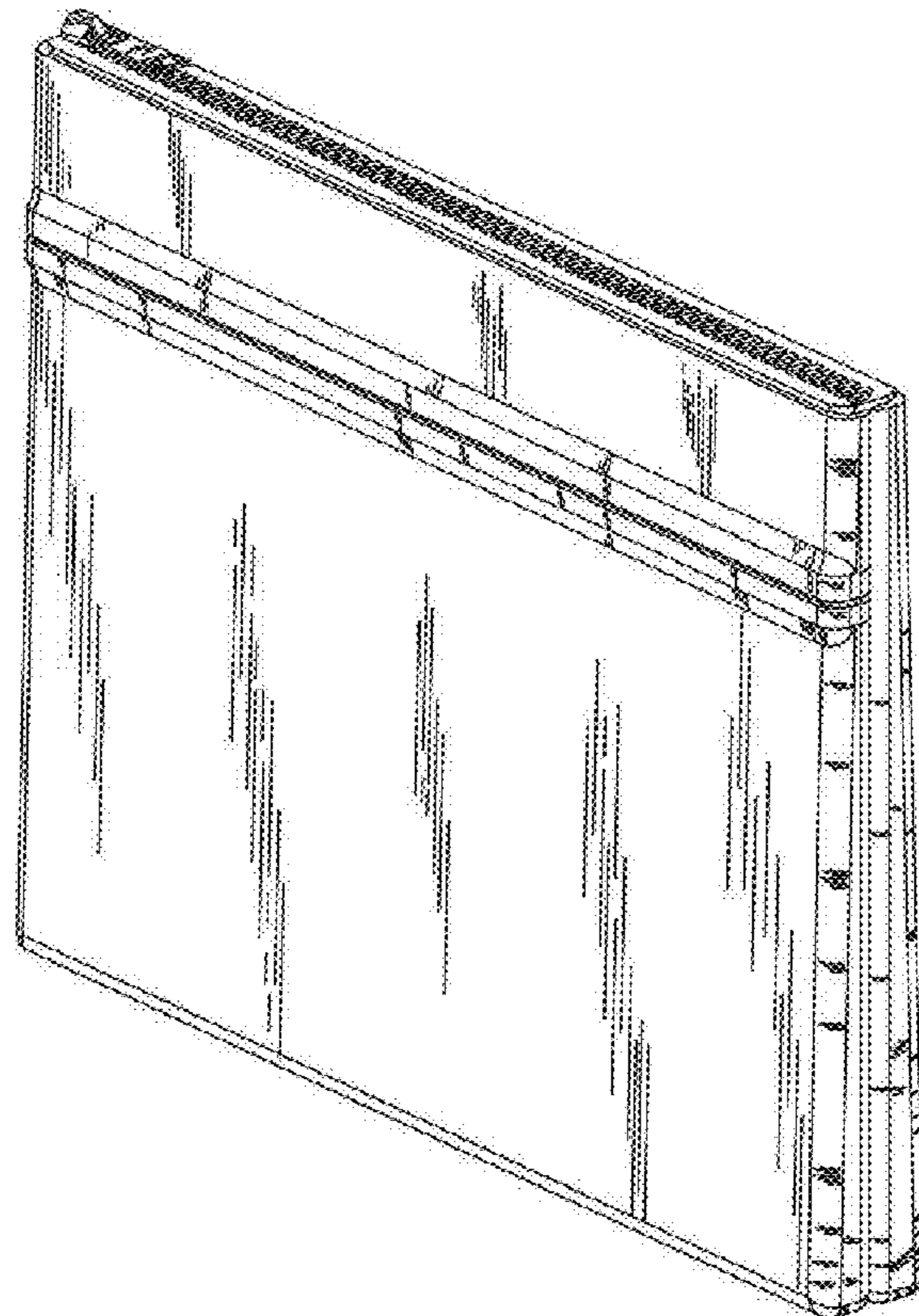
FIG. 1 is a first perspective view of a fireproof bag showing my design;
FIG. 2 is a second perspective view thereof;
FIG. 3 is a front view thereof;
FIG. 4 is a back view thereof;
FIG. 5 is a left side view thereof;
FIG. 6 is a right side view thereof;
FIG. 7 is a top view thereof; and,
FIG. 8 is a bottom view thereof.

1 Claim, 8 Drawing Sheets

(56) **References Cited**

U.S. PATENT DOCUMENTS

D490,238 S * 5/2004 Bristel D3/226
D611,253 S * 3/2010 Lown D3/301
D629,204 S * 12/2010 Spira 150/112
D656,310 S * 3/2012 Ciptak D3/226



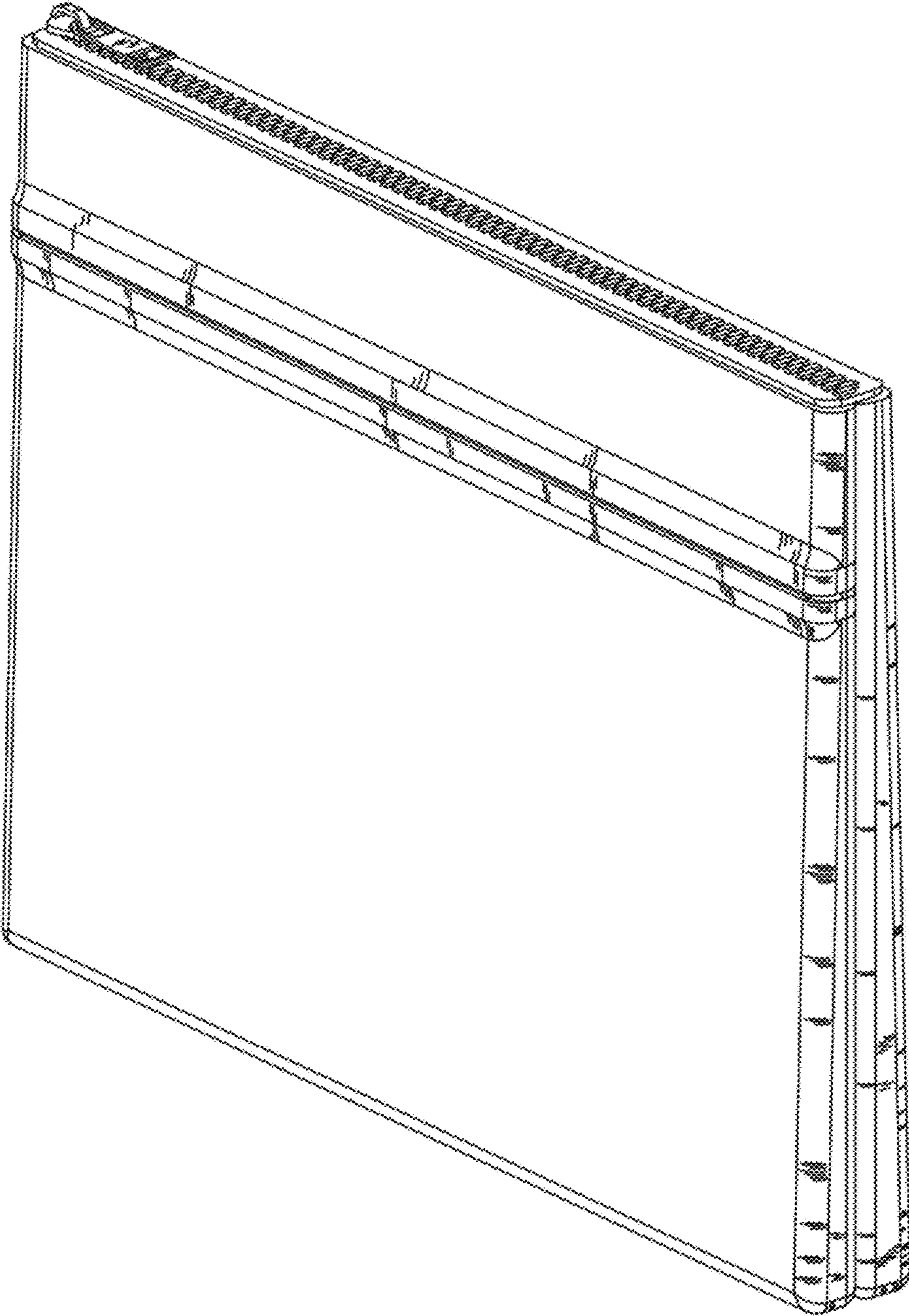


FIG. 1

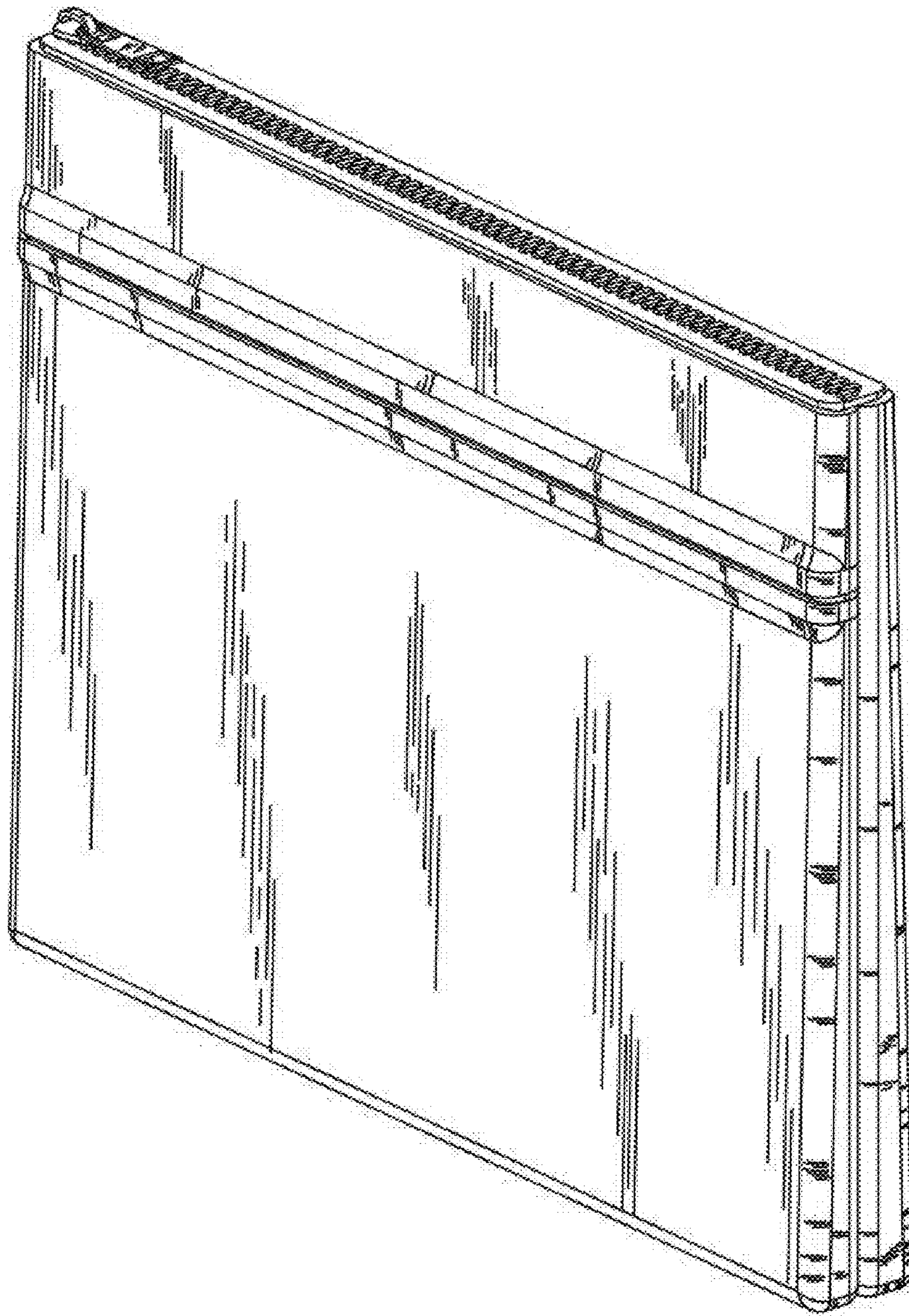


FIG. 2

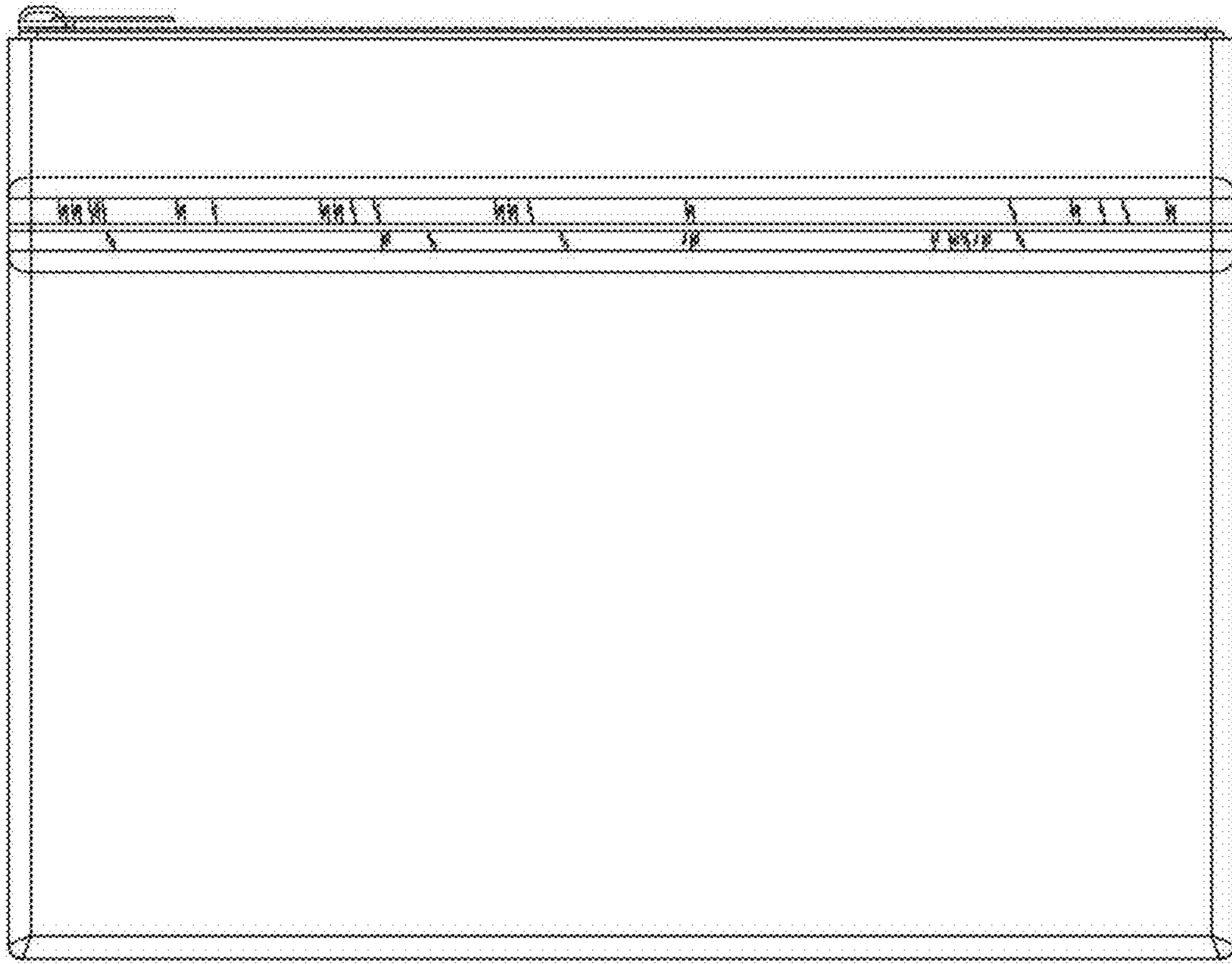


FIG. 3

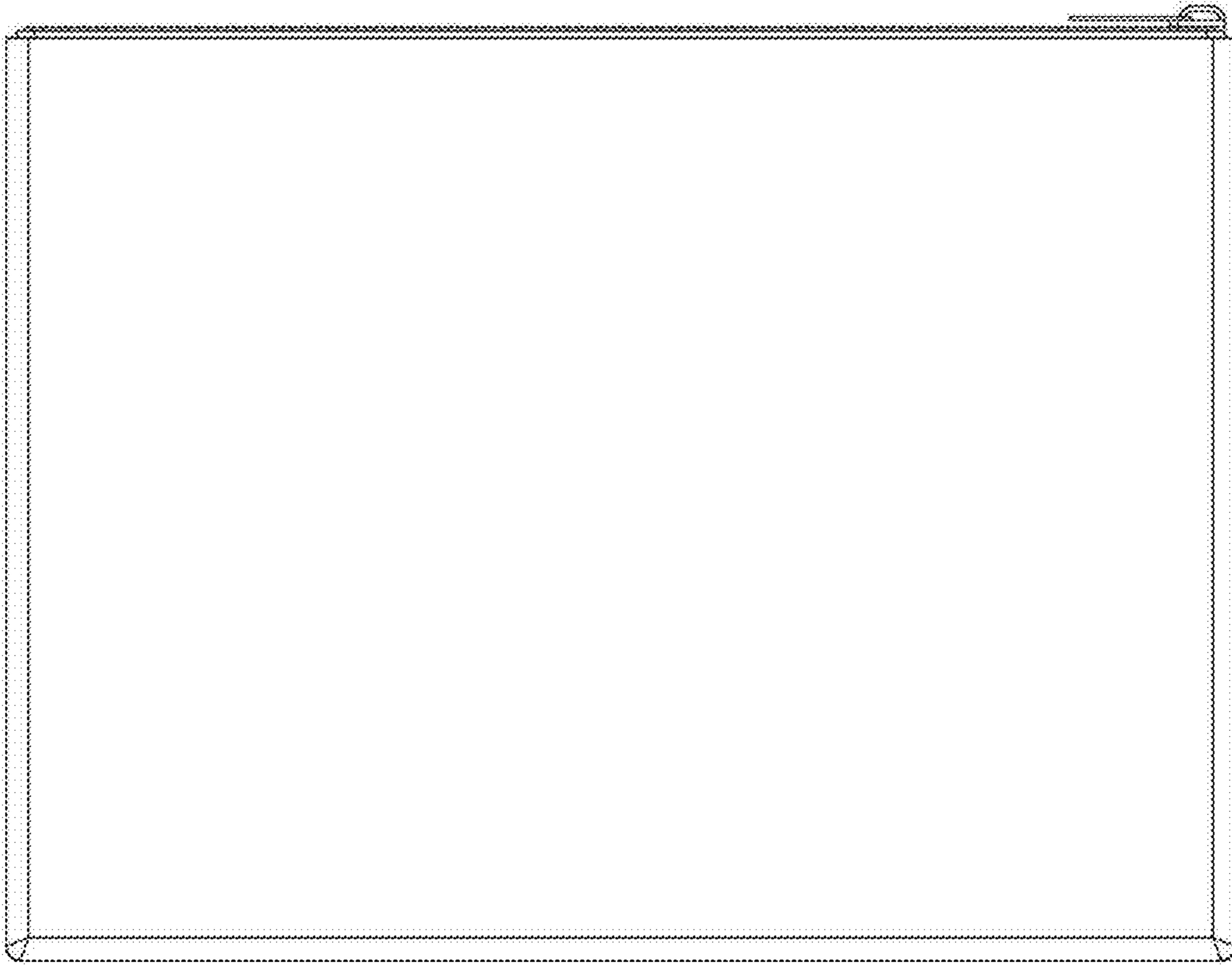


FIG. 4

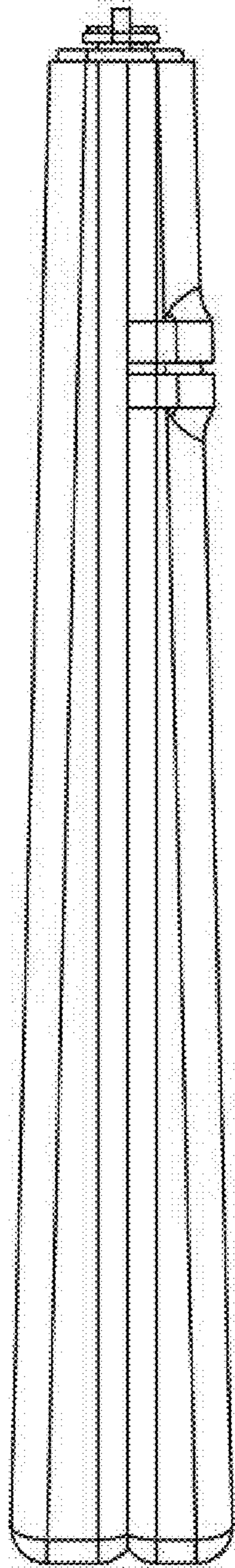


FIG. 5

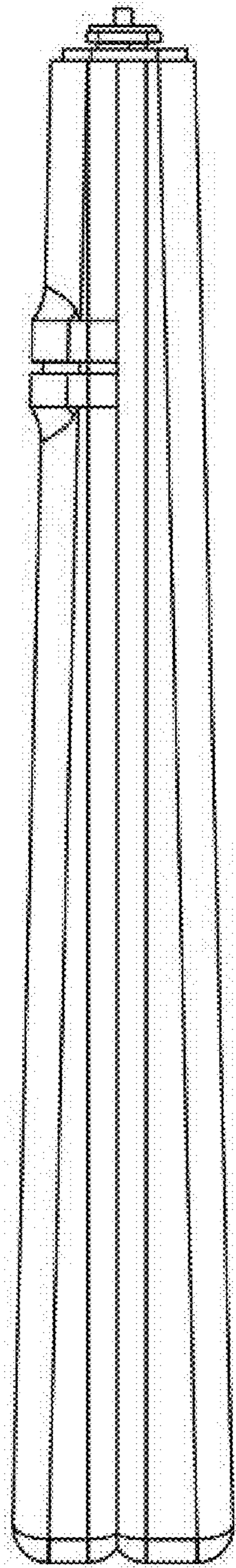


FIG. 6

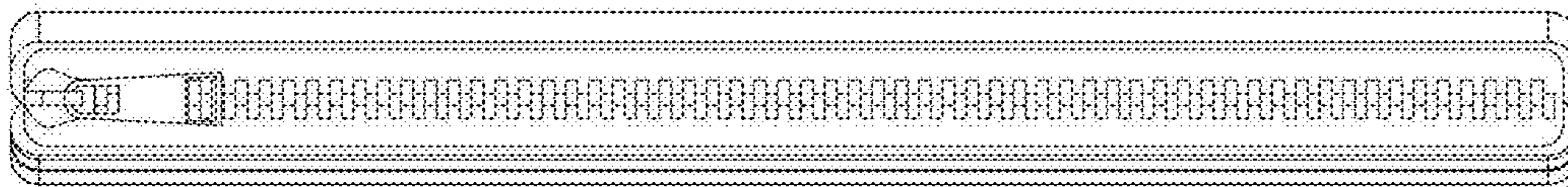


FIG. 7

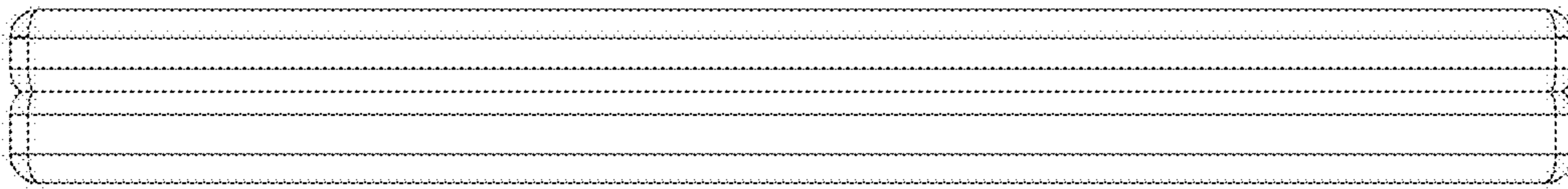


FIG. 8