

US00D865362S

(12) **United States Design Patent** (10) **Patent No.:** **US D865,362 S**  
**Schafer et al.** (45) **Date of Patent:** **\*\* Nov. 5, 2019**

(54) **RING STORAGE CONTAINER**

(71) Applicant: **Kimberly Ann Schafer**, San Diego, CA (US)

(72) Inventors: **Kimberly Ann Schafer**, San Diego, CA (US); **TsinLam Raymond Cheng**, San Diego, CA (US)

(73) Assignee: **Kimberly Ann Schafer**, San Diego, CA (US)

(\*\*) Term: **15 Years**

(21) Appl. No.: **29/634,019**

(22) Filed: **Jan. 17, 2018**

**Related U.S. Application Data**

(63) Continuation of application No. 15/873,691, filed on Jan. 17, 2018.

(51) **LOC (12) Cl.** ..... **03-01**

(52) **U.S. Cl.**  
USPC ..... **D3/302; D3/903**

(58) **Field of Classification Search**  
USPC ..... D3/273, 274, 275, 276, 281, 284, 292, D3/294, 295, 296, 297, 299, 905, 901,  
(Continued)

(56) **References Cited**

**U.S. PATENT DOCUMENTS**

657,250 A \* 9/1900 Pratt ..... B65D 85/02  
206/303  
D145,738 S \* 10/1946 Lewis ..... D3/302  
(Continued)

**FOREIGN PATENT DOCUMENTS**

CN 204105129 U 1/2015  
DE 9406943 U1 7/1994  
(Continued)

*Primary Examiner* — Holly E Thurman

(74) *Attorney, Agent, or Firm* — Mintz Levin Cohn Ferris Glovsky and Popeo, P.C.

(57) **CLAIM**

The ornamental design for a ring storage container, as shown and described.

**DESCRIPTION**

FIG. 1 is a top perspective view of a ring storage container with a base and lid in a closed configuration showing our new design;

FIG. 2 is a bottom perspective view thereof;

FIG. 3 is a front elevation view thereof;

FIG. 4 is a back elevation view thereof;

FIG. 5 is a right side elevation view thereof;

FIG. 6 is a left side elevation view thereof;

FIG. 7 is a top plan view thereof;

FIG. 8 is a bottom plan view thereof;

FIG. 9 is a top perspective view showing only the base of the ring storage container shown in FIG. 1;

FIG. 10 is a front elevation view thereof;

FIG. 11 is a back elevation view thereof;

FIG. 12 is a right side elevation view thereof;

FIG. 13 is a left side elevation view thereof;

FIG. 14 is a top plan view thereof;

FIG. 15 is a bottom plan view thereof;

FIG. 16 is a top perspective view showing only the lid of the ring storage container shown in FIG. 1;

FIG. 17 is a front elevation view thereof;

FIG. 18 is a back elevation view thereof;

FIG. 19 is a right side elevation view thereof;

FIG. 20 is a left side elevation view thereof;

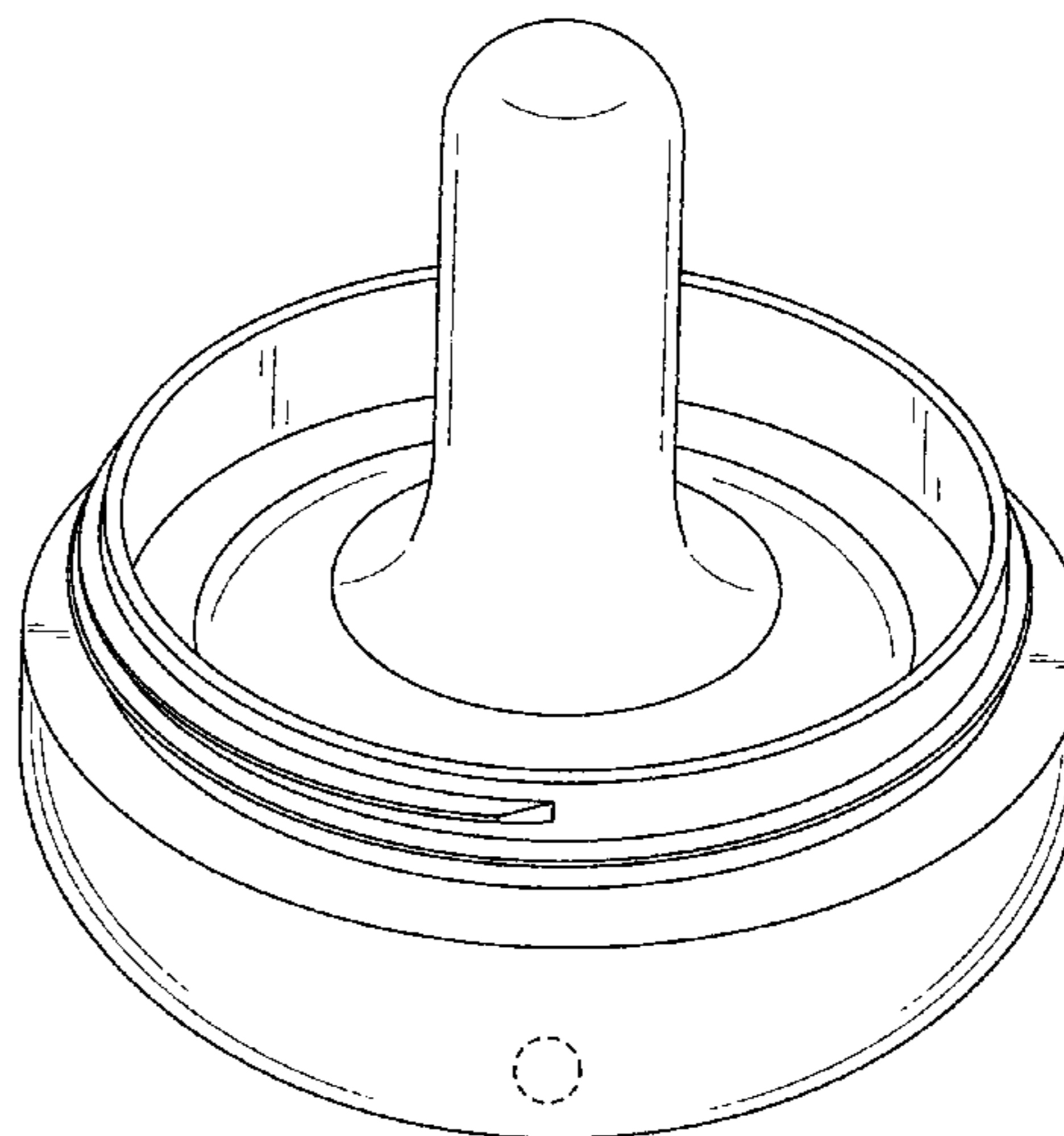
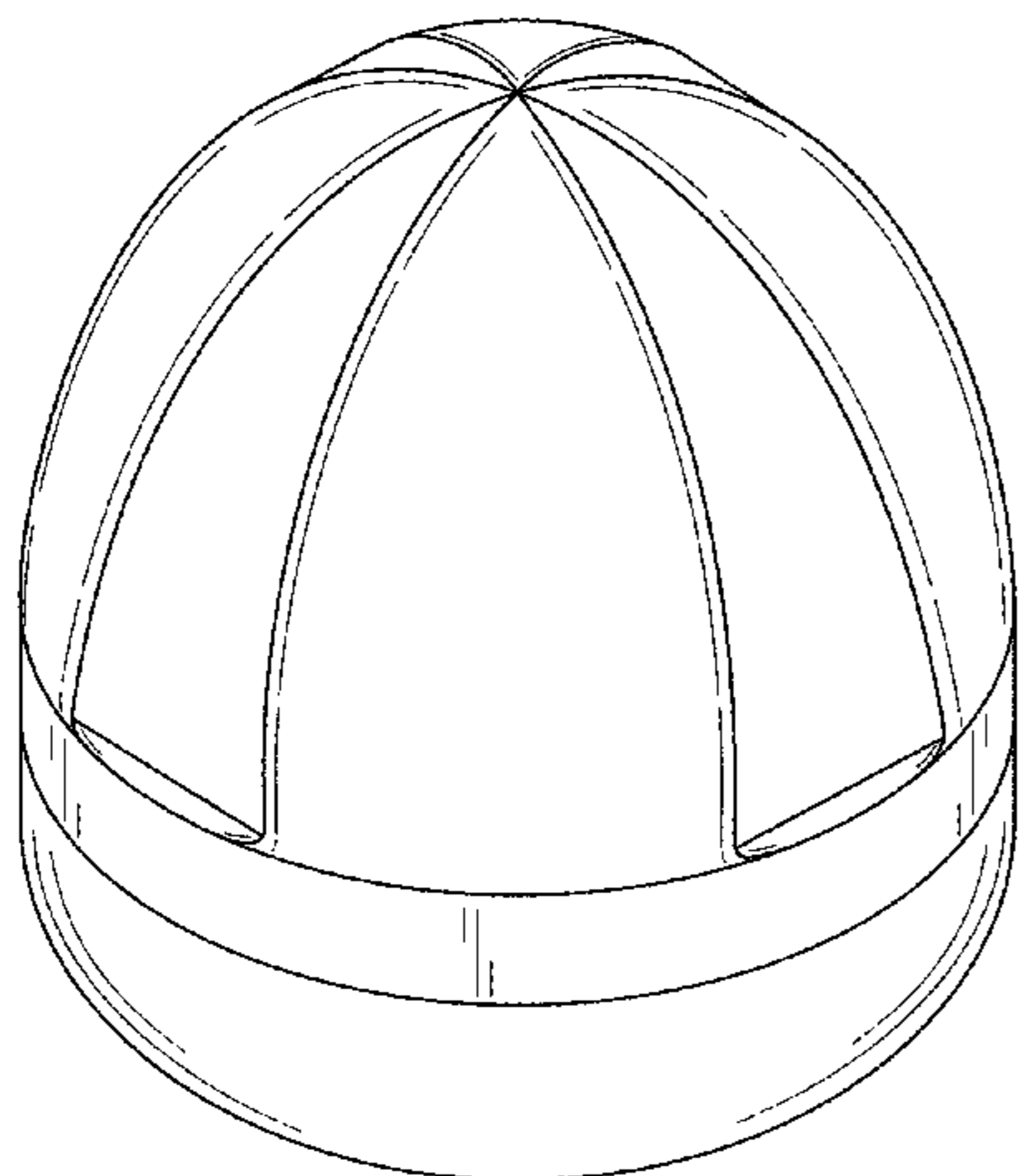
FIG. 21 is a top plan view thereof; and,

FIG. 22 is a bottom plan view thereof.

The shade lines represent claimed contours. The broken lines depict portions of the ring storage container that form no part of the claimed design.

The invention pertains to a ring storage container for storage of personal finger rings and other small personal items.

**1 Claim, 22 Drawing Sheets**



# US D865,362 S

Page 2

(58) **Field of Classification Search**

USPC ..... D3/903, 205, 203.1, 279, 282, 242, 301,  
D3/302  
CPC .. A45C 5/00; A45C 5/04; A45C 11/00; A45C  
11/16

See application file for complete search history.

(56)

**References Cited**

U.S. PATENT DOCUMENTS

2,978,110 A 4/1961 Haskins  
3,937,324 A \* 2/1976 Whiteford ..... B65D 25/10  
206/349  
3,978,761 A \* 9/1976 Sosinski ..... F16B 31/021  
411/5  
D275,638 S \* 9/1984 Grier ..... D11/147  
D279,145 S \* 6/1985 Lippe ..... D3/294  
5,588,525 A 12/1996 Rosler

D455,552 S \* 4/2002 Charness ..... D3/302  
D509,655 S \* 9/2005 Barnes ..... D3/260  
D561,992 S \* 2/2008 Linsley ..... D3/271.1  
D588,361 S \* 3/2009 Dawson ..... D3/302  
7,841,468 B2 \* 11/2010 Pendergraph ..... B25H 3/00  
206/349  
D675,439 S \* 2/2013 Laperriere ..... D3/302  
D682,675 S \* 5/2013 Rapparini ..... D9/429  
8,522,964 B1 9/2013 Pledger  
D738,111 S \* 9/2015 Otto ..... D3/302  
D740,029 S \* 10/2015 Otto ..... D3/302  
10,299,611 B1 \* 5/2019 O'Malley ..... A45C 11/16  
2016/0318668 A1 \* 11/2016 Wuethrich ..... B65D 1/023  
2018/0199685 A1 \* 7/2018 Schafer ..... A45C 11/16

FOREIGN PATENT DOCUMENTS

JP H0523208 A 2/1993  
KR 20160123735 A 10/2016

\* cited by examiner

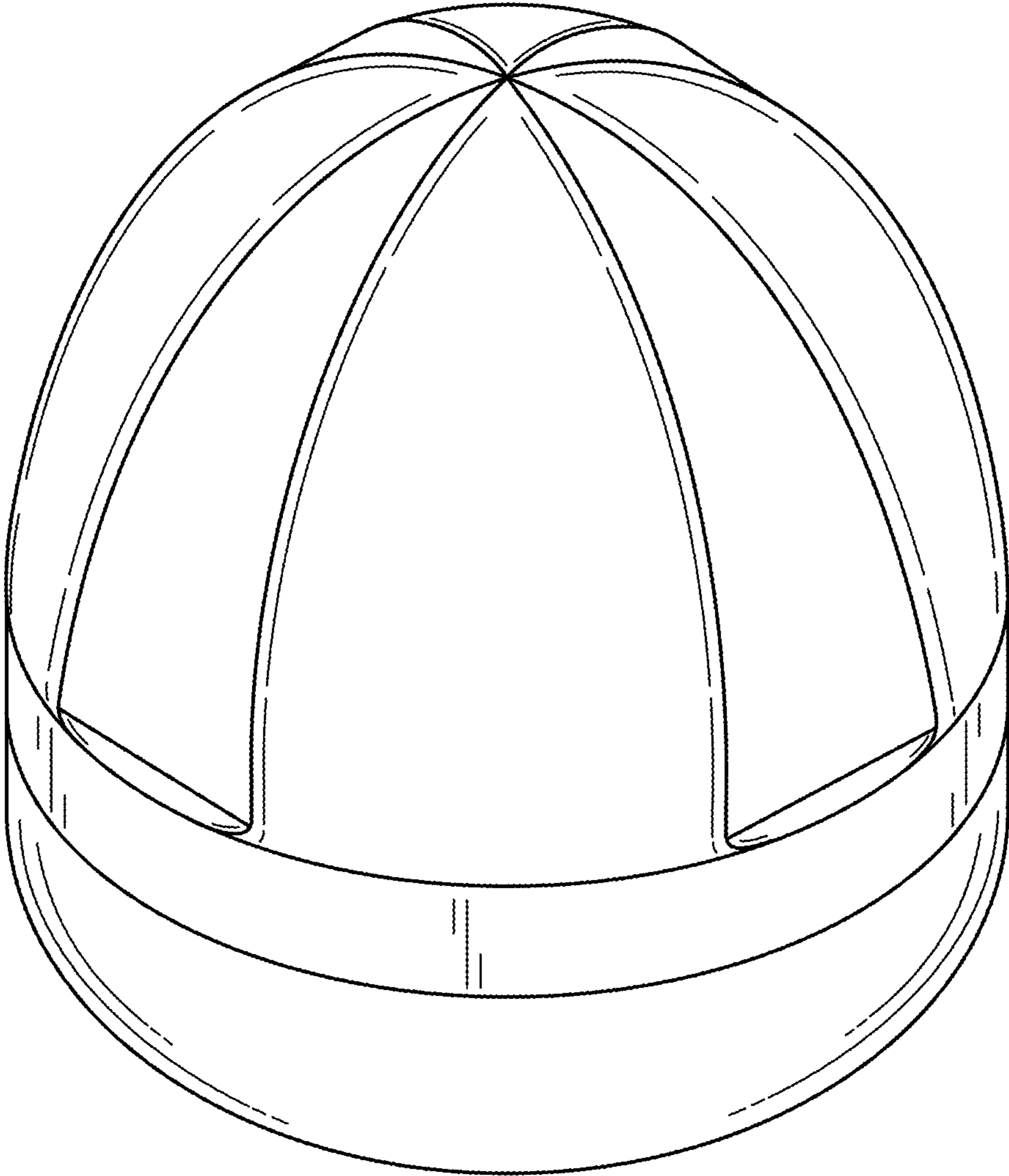


FIG. 1

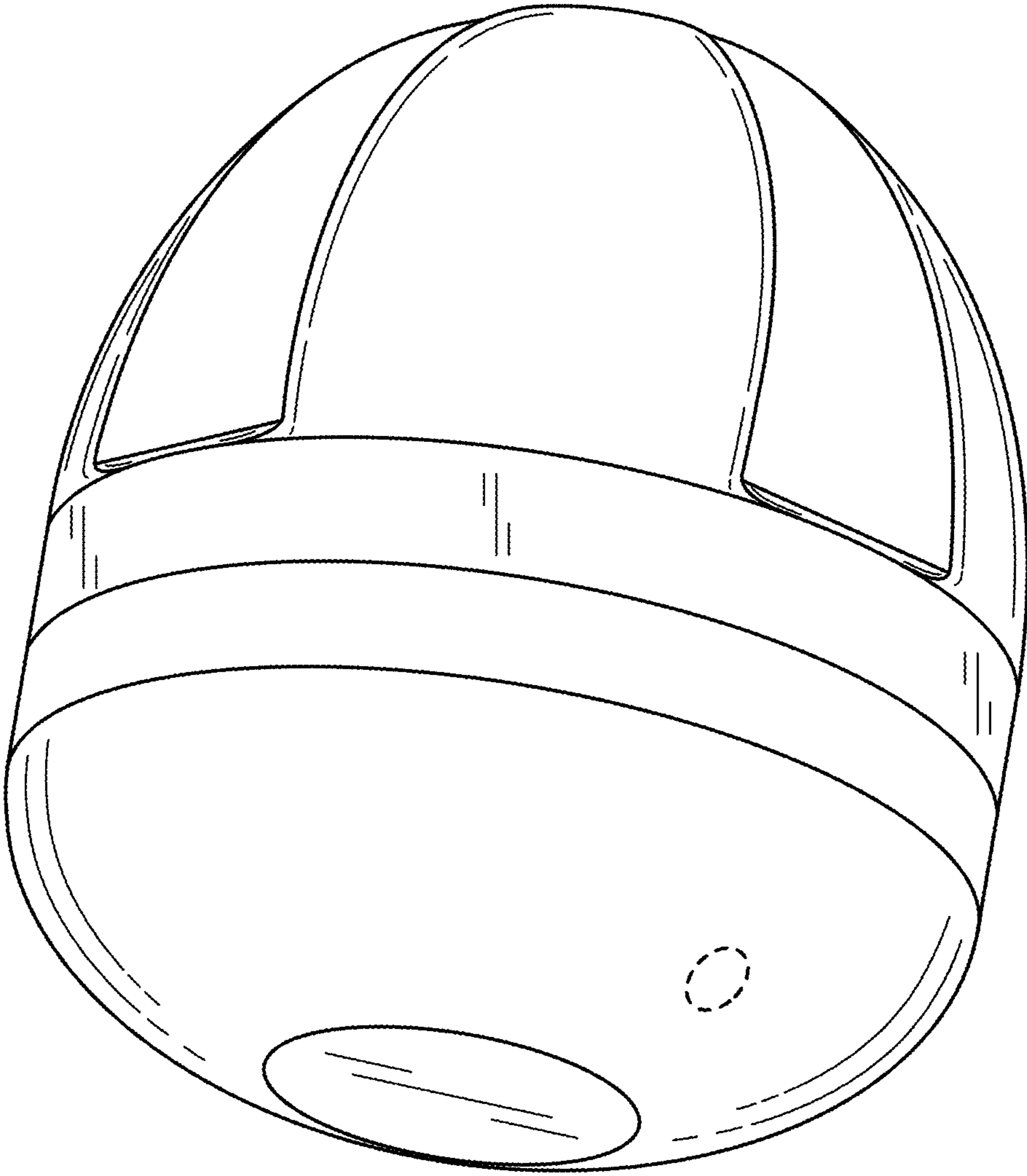


FIG. 2

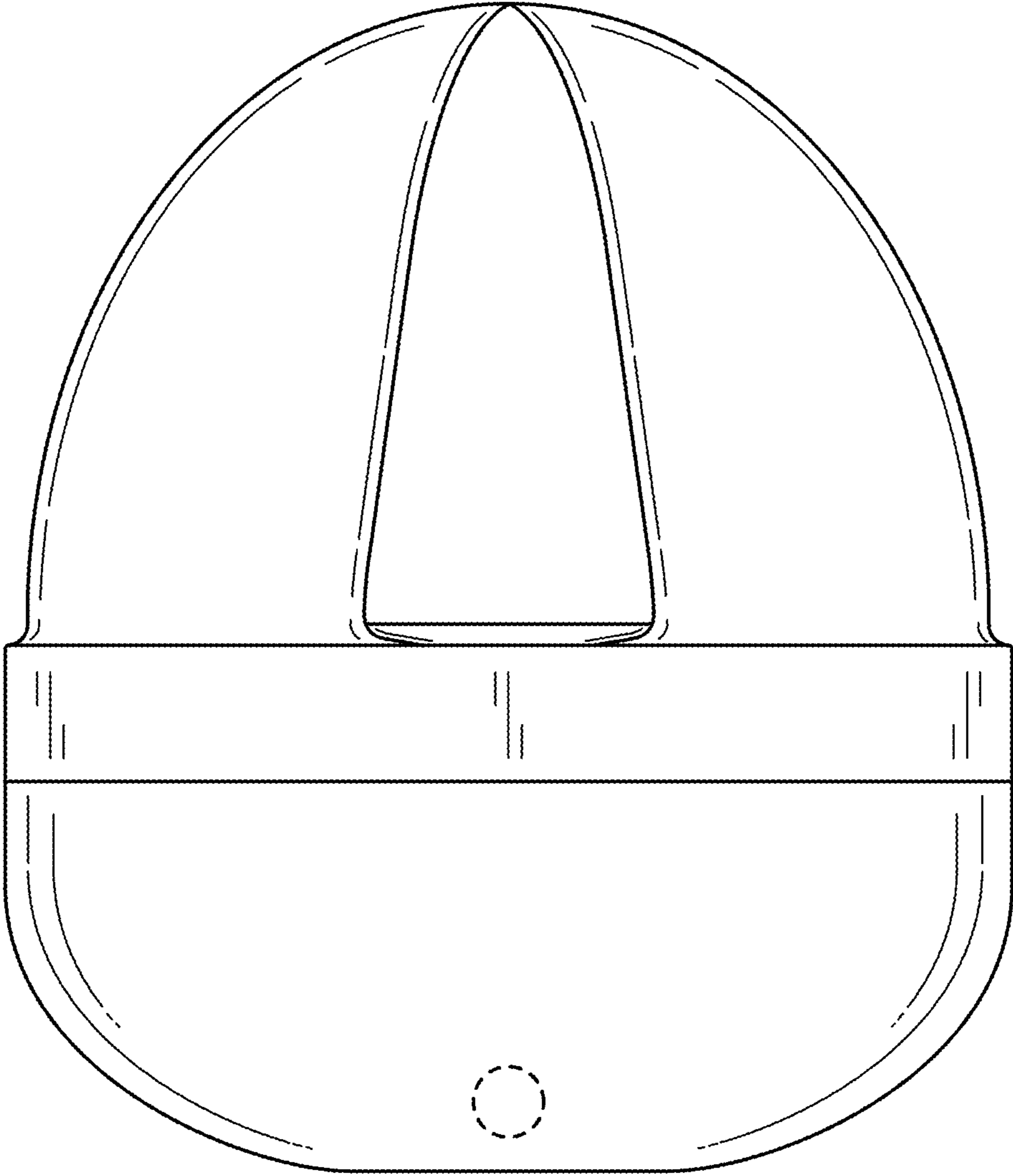


FIG. 3

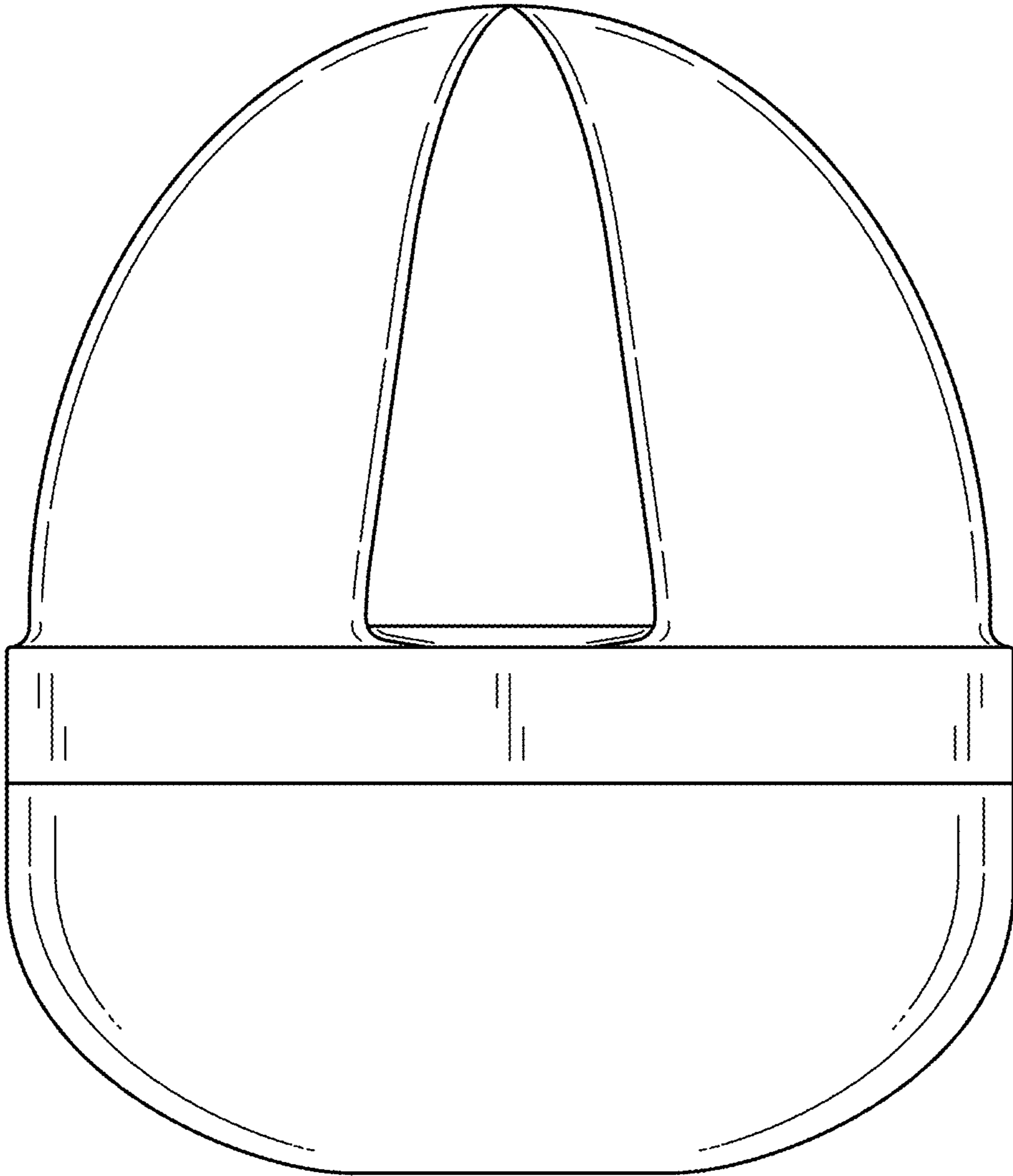


FIG. 4

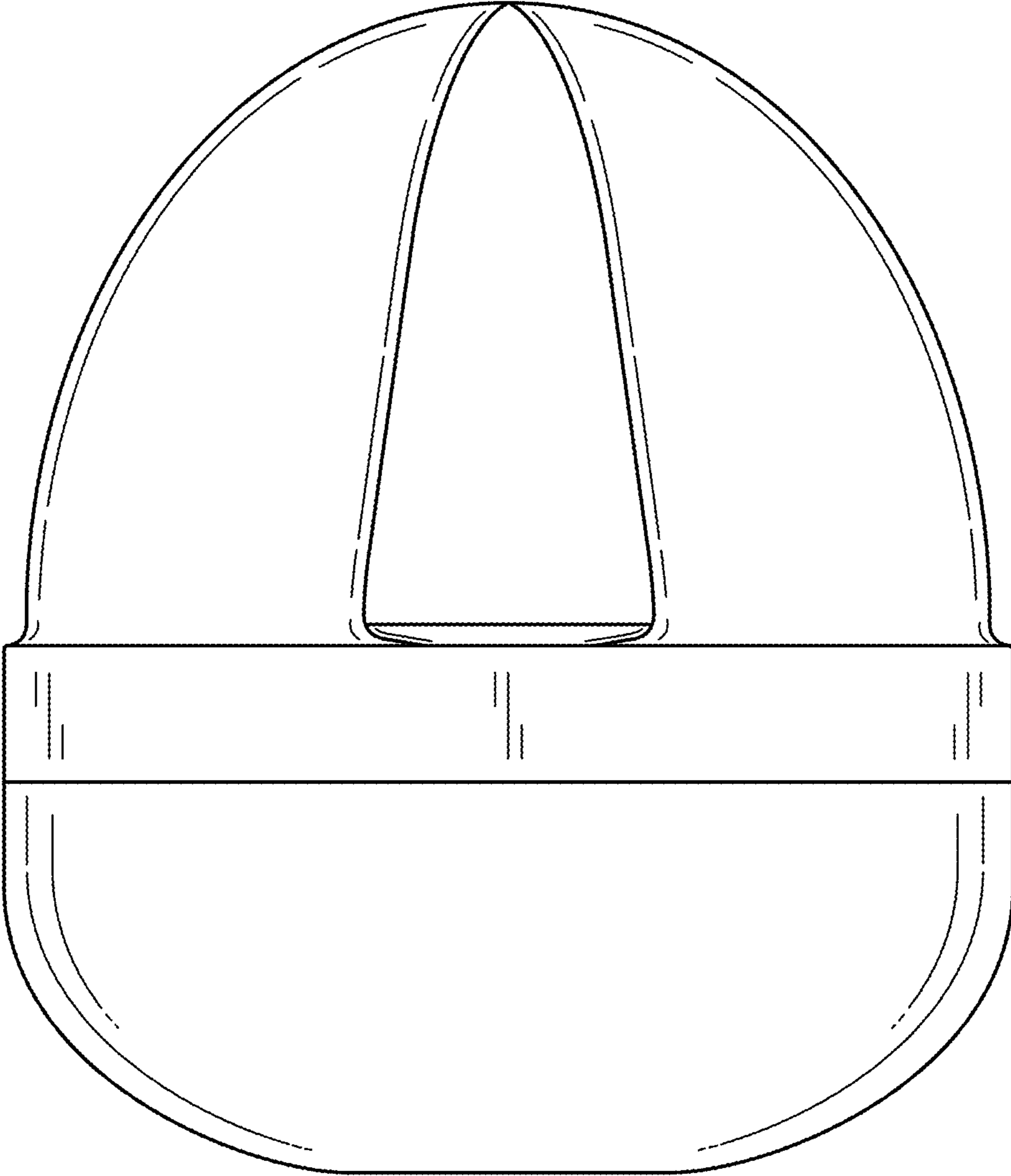


FIG. 5

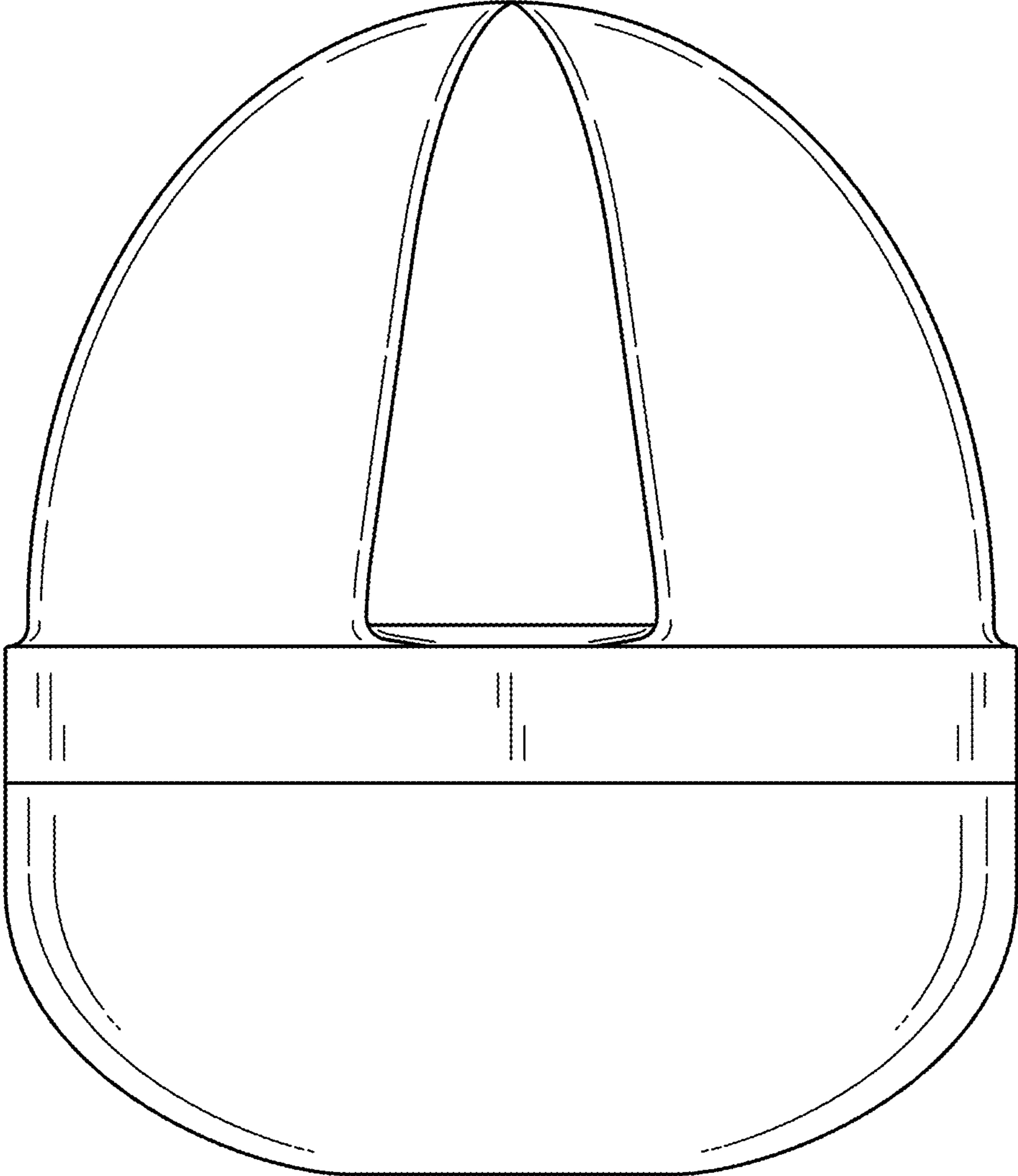


FIG. 6



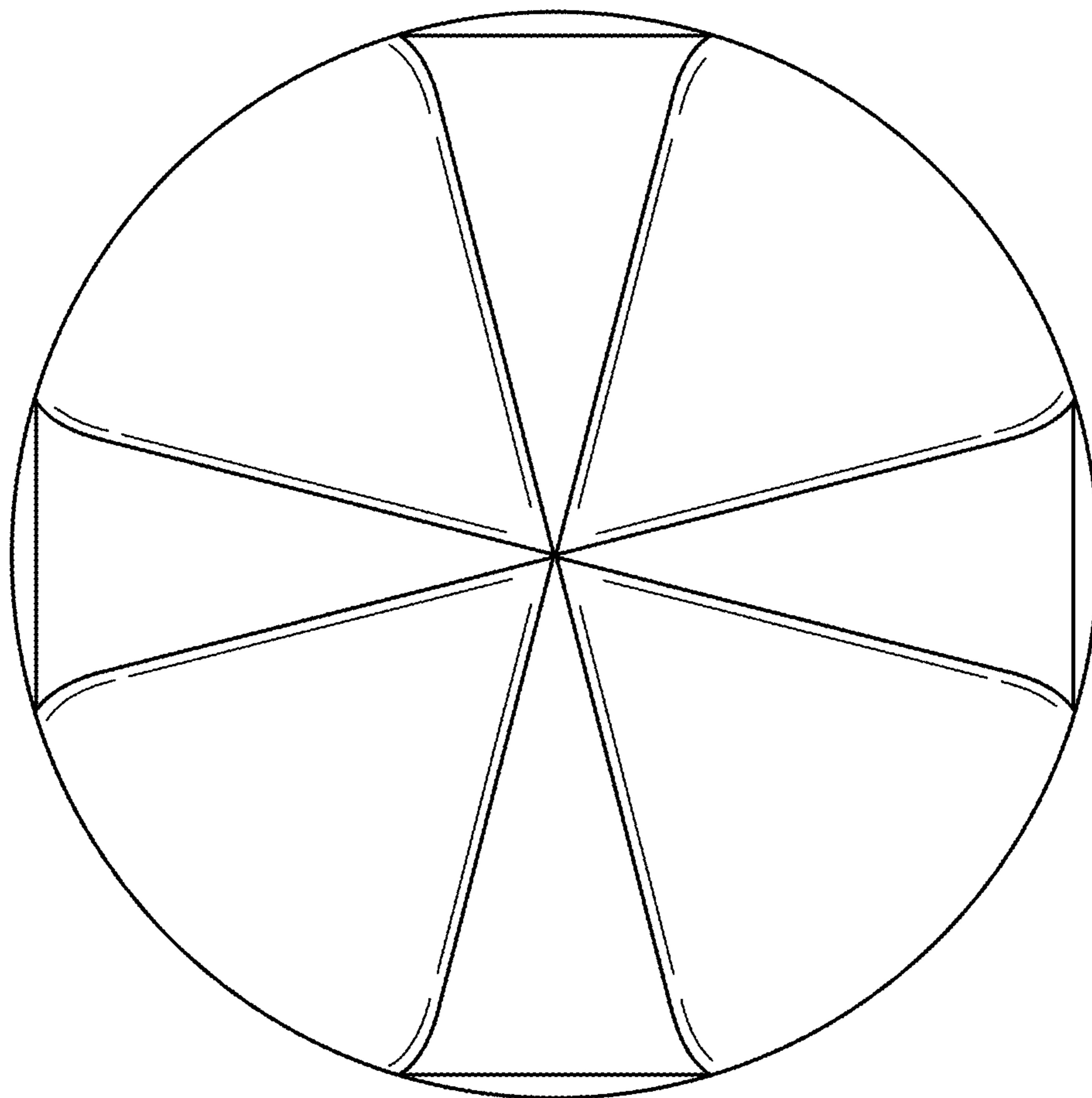


FIG. 7

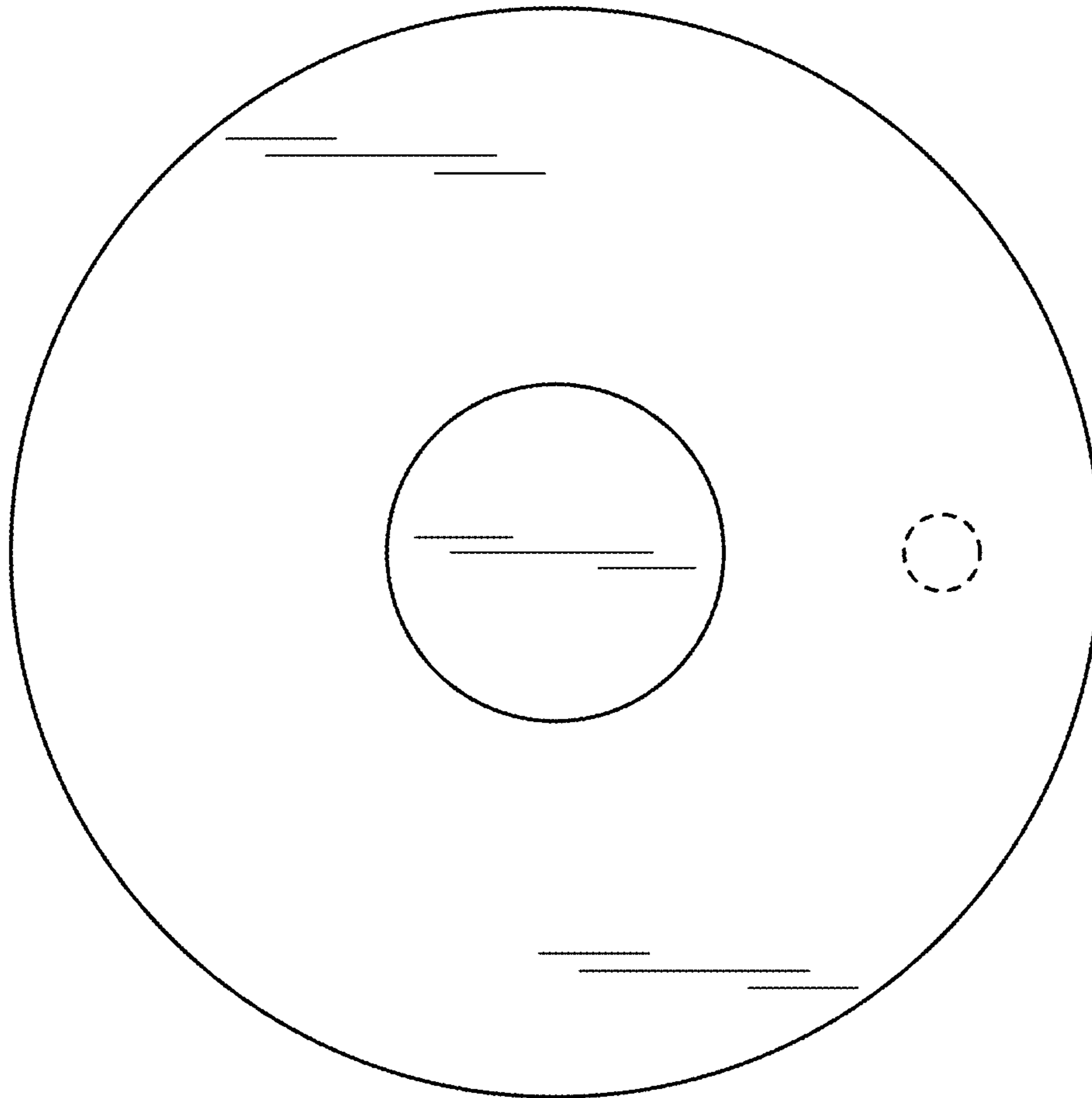


FIG. 8

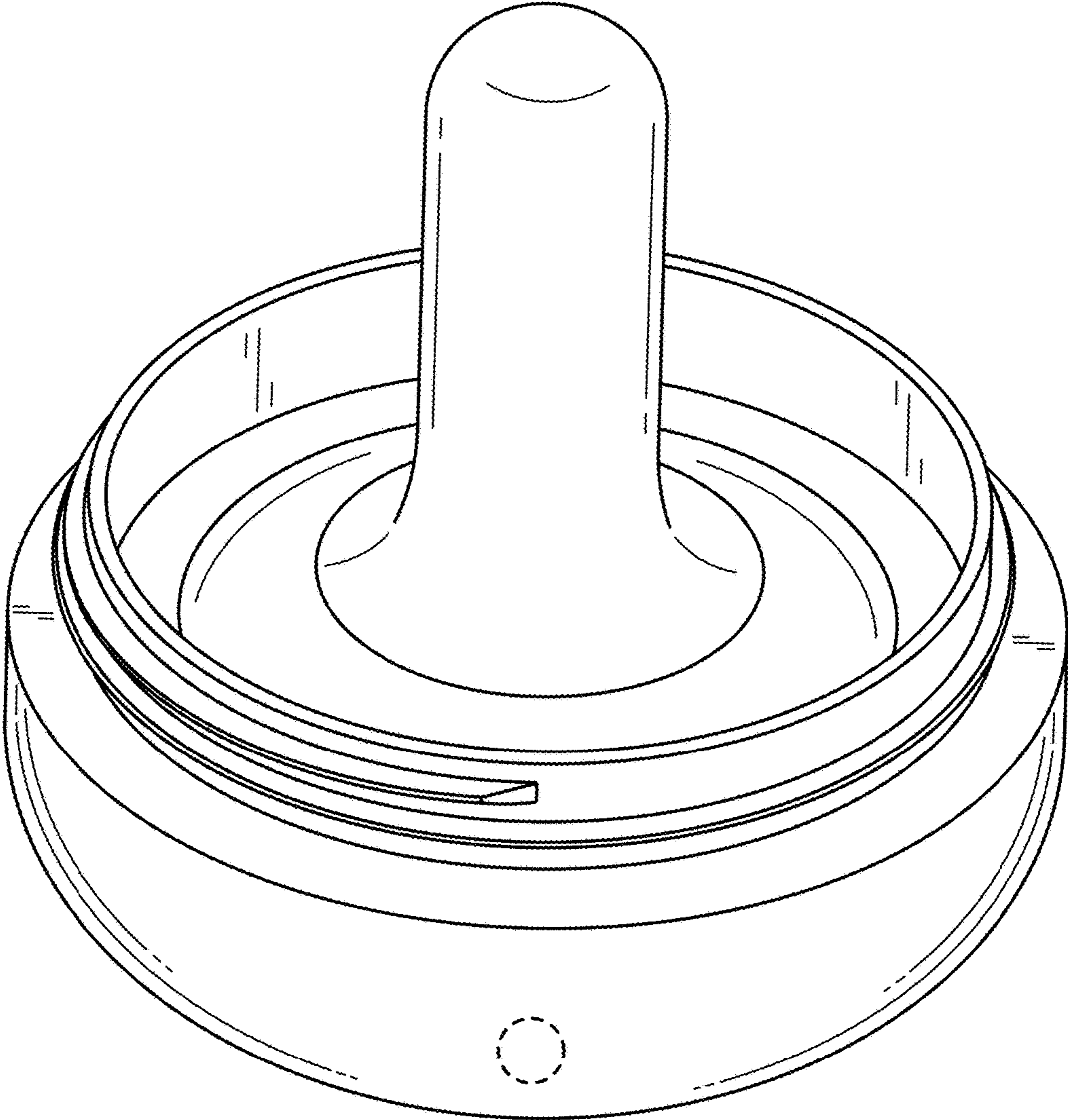


FIG. 9

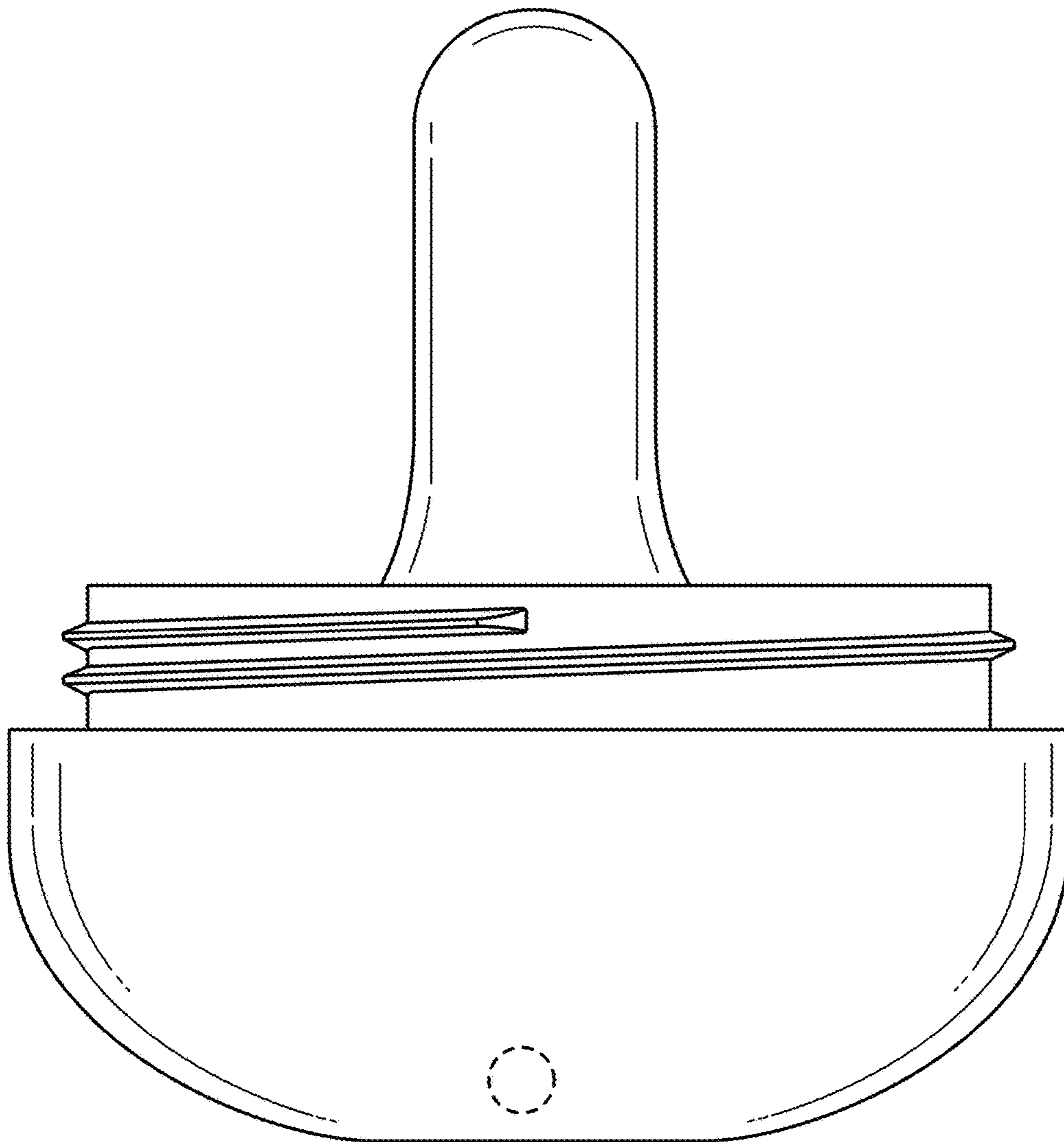


FIG. 10

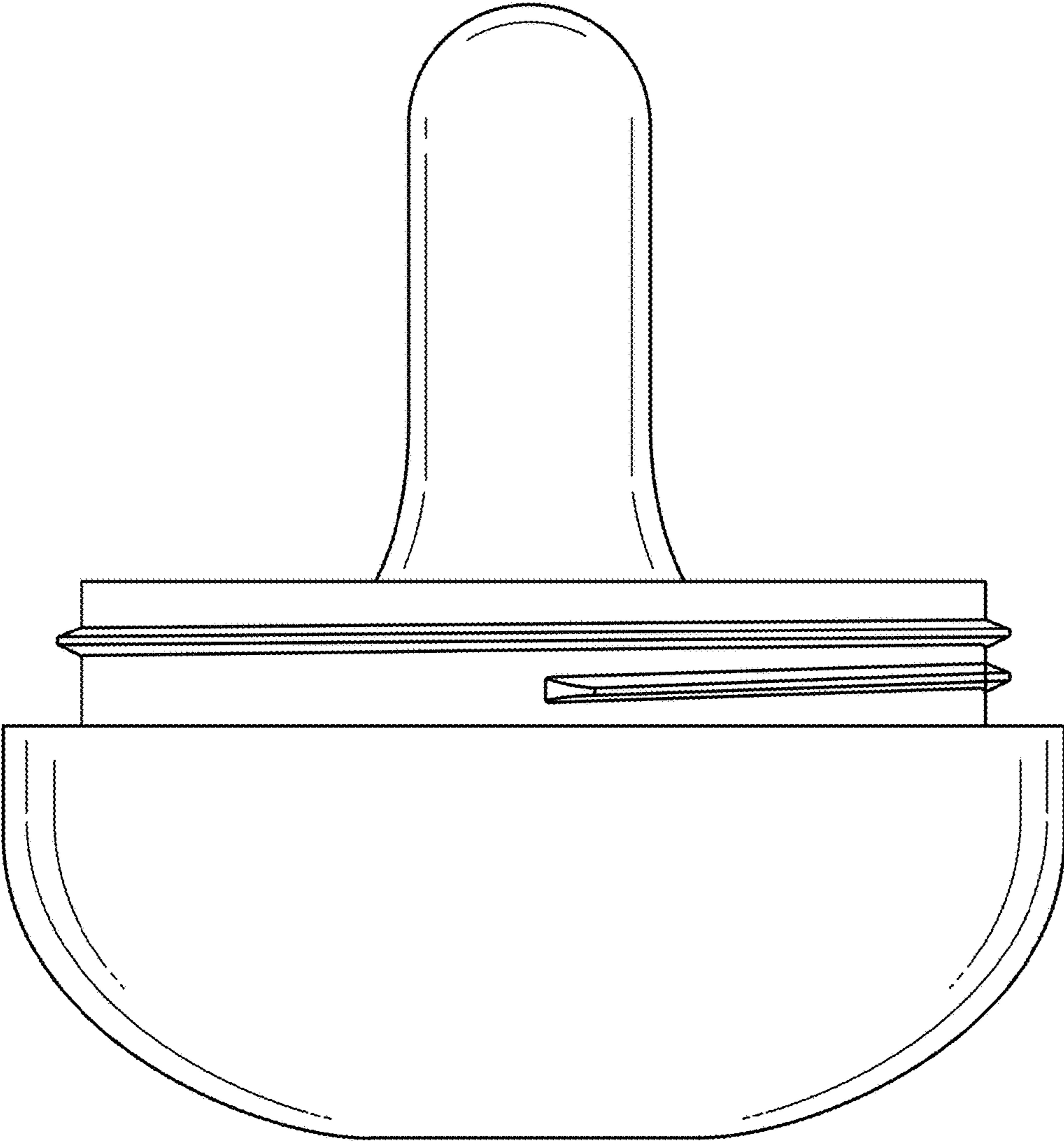


FIG. 11

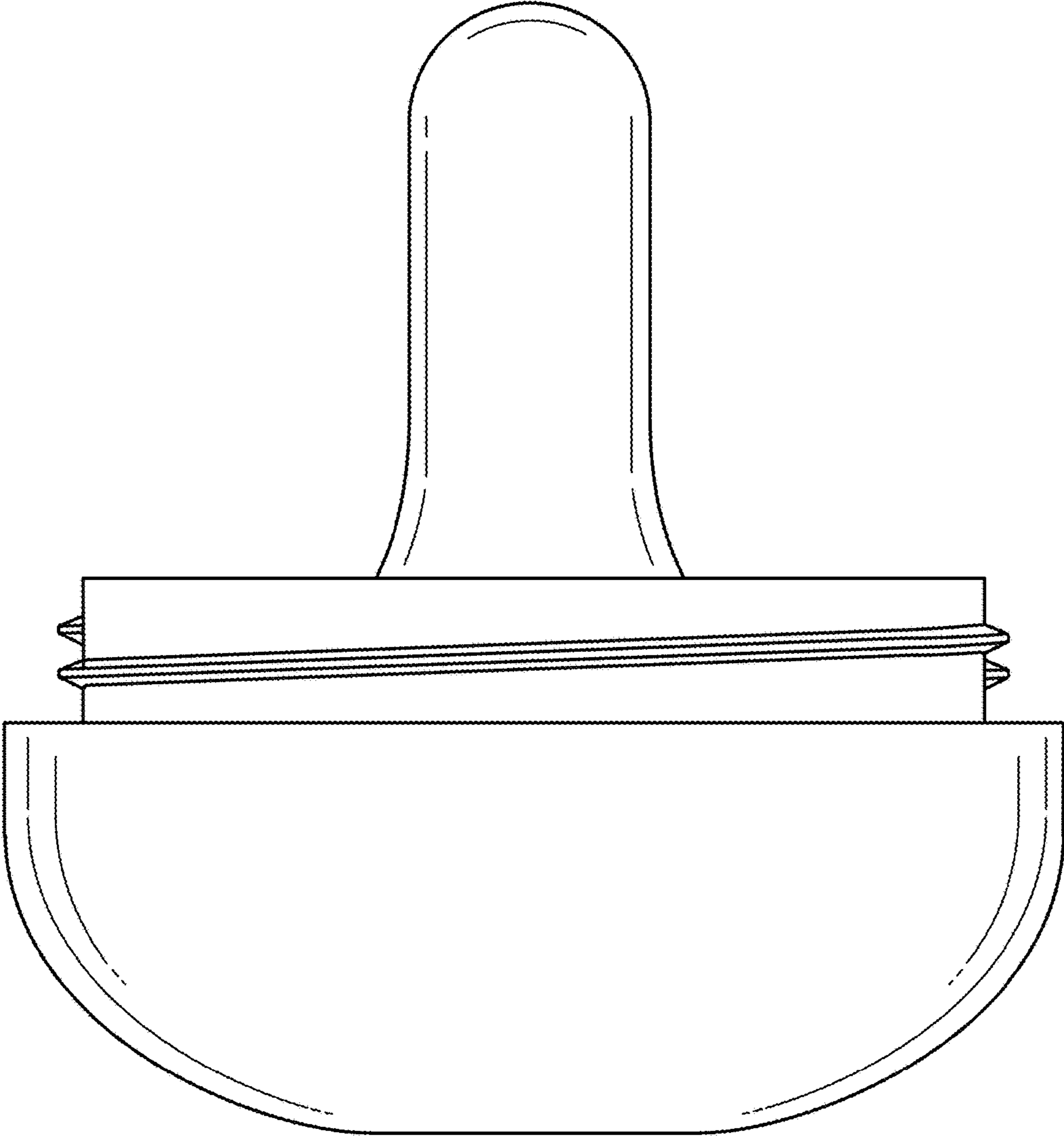


FIG. 12

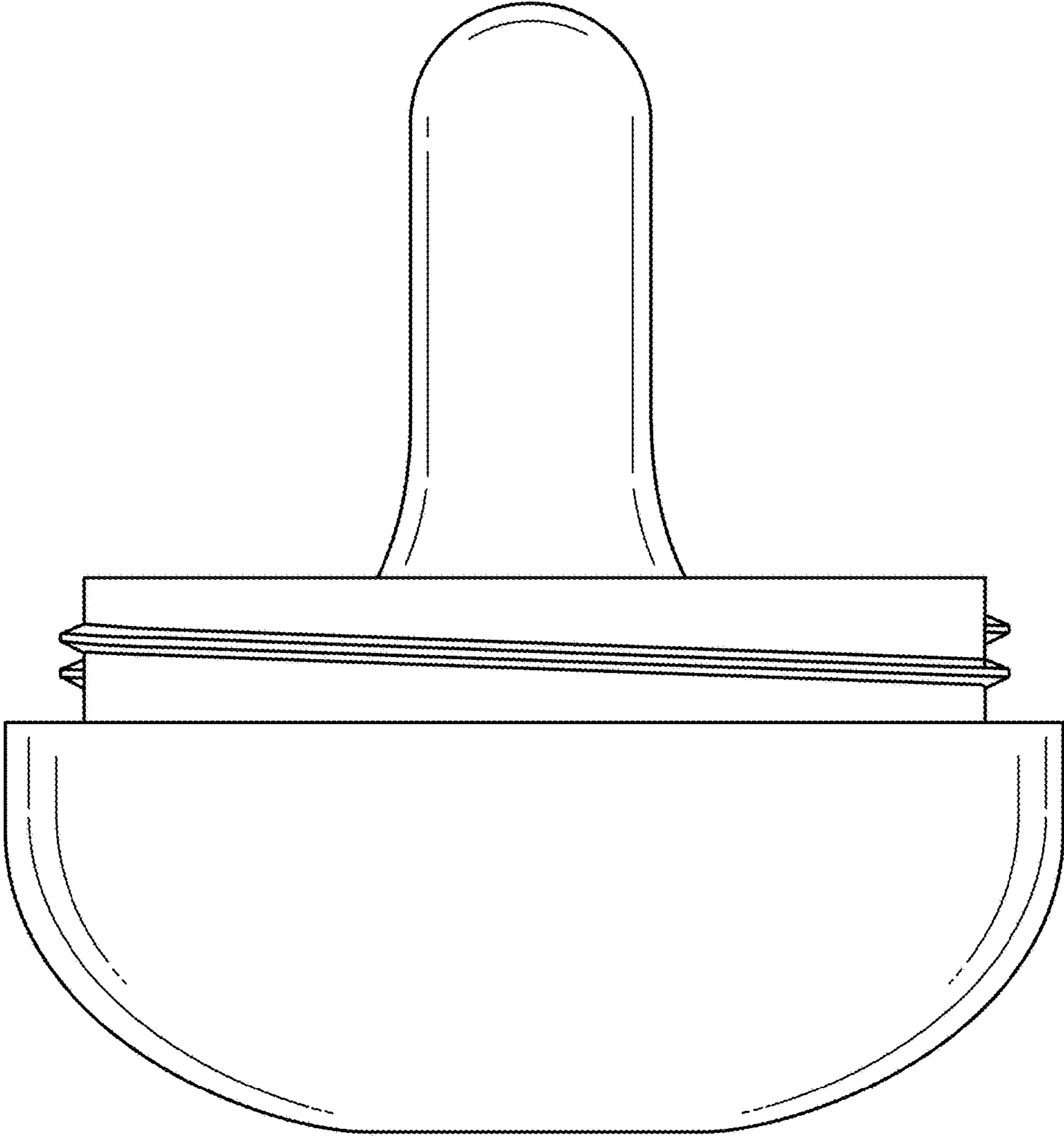


FIG. 13

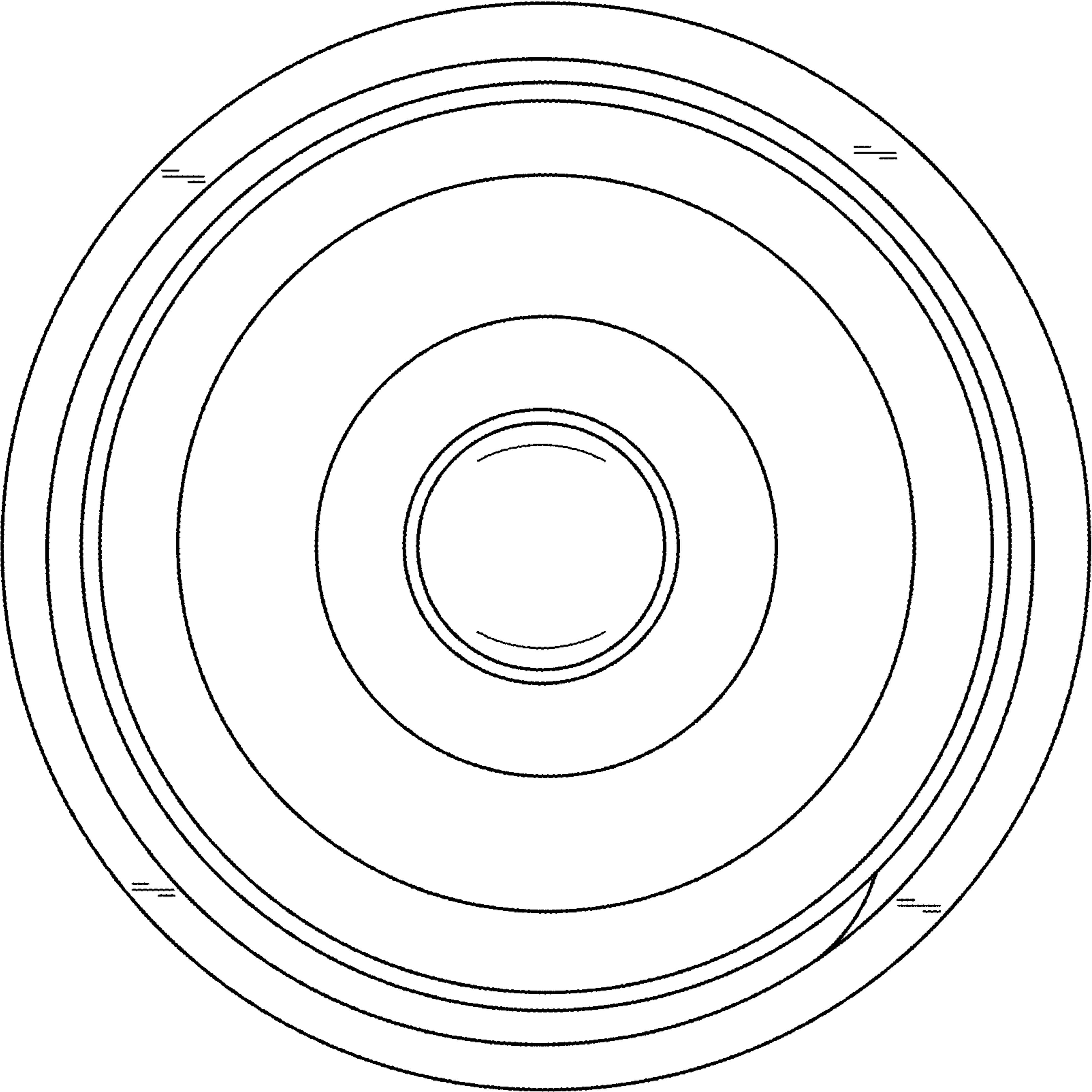


FIG. 14



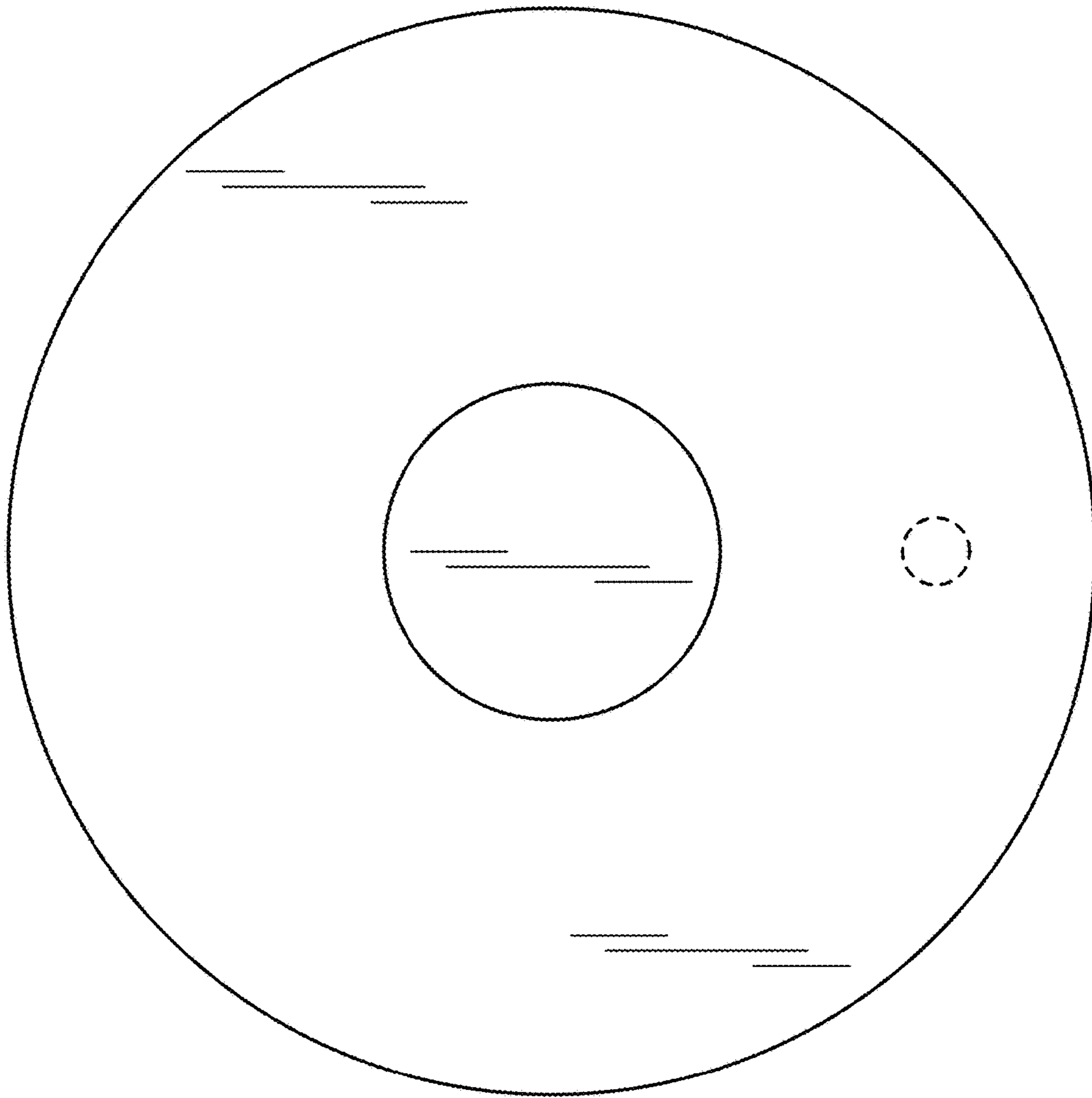


FIG. 15

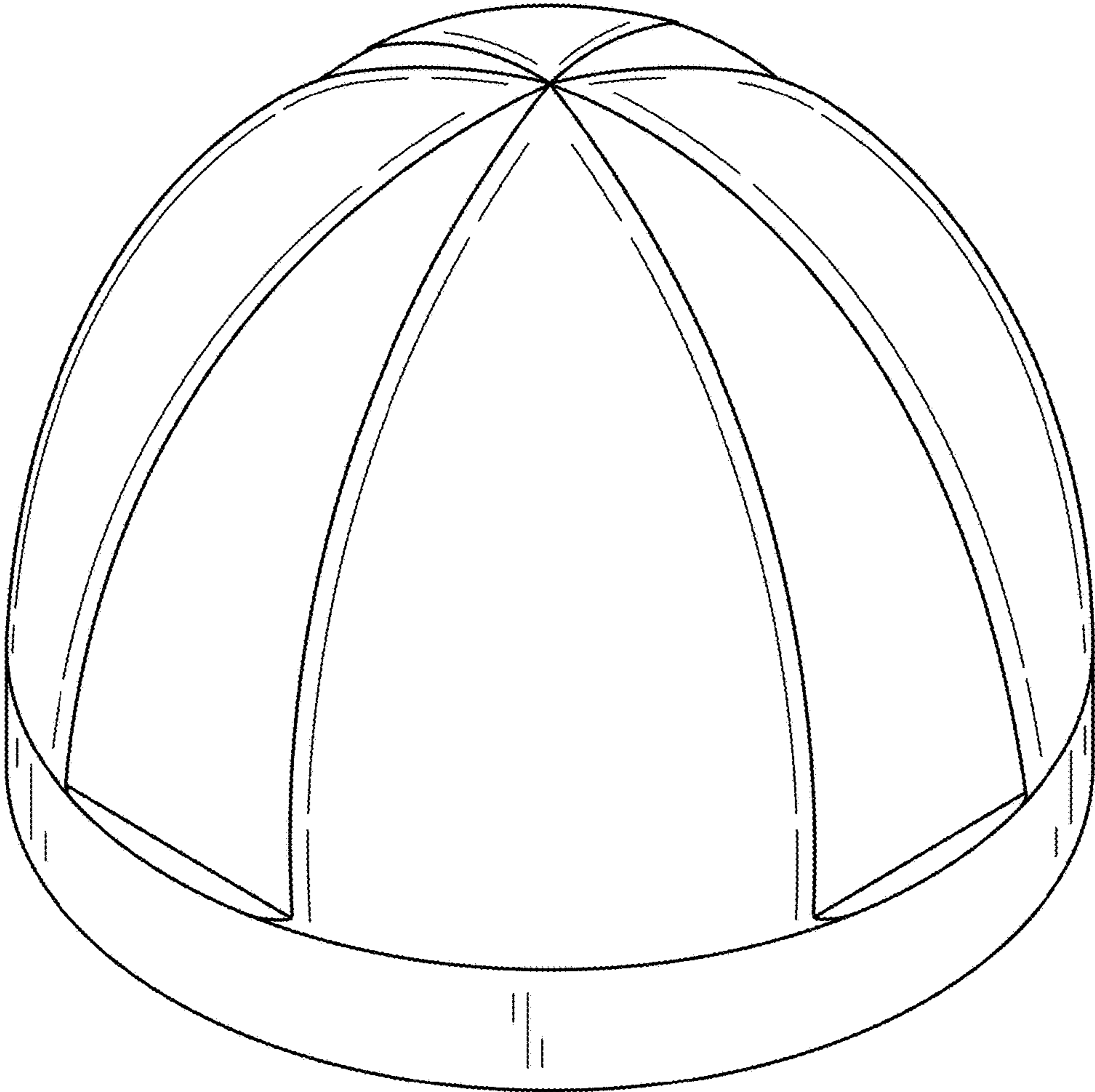


FIG. 16

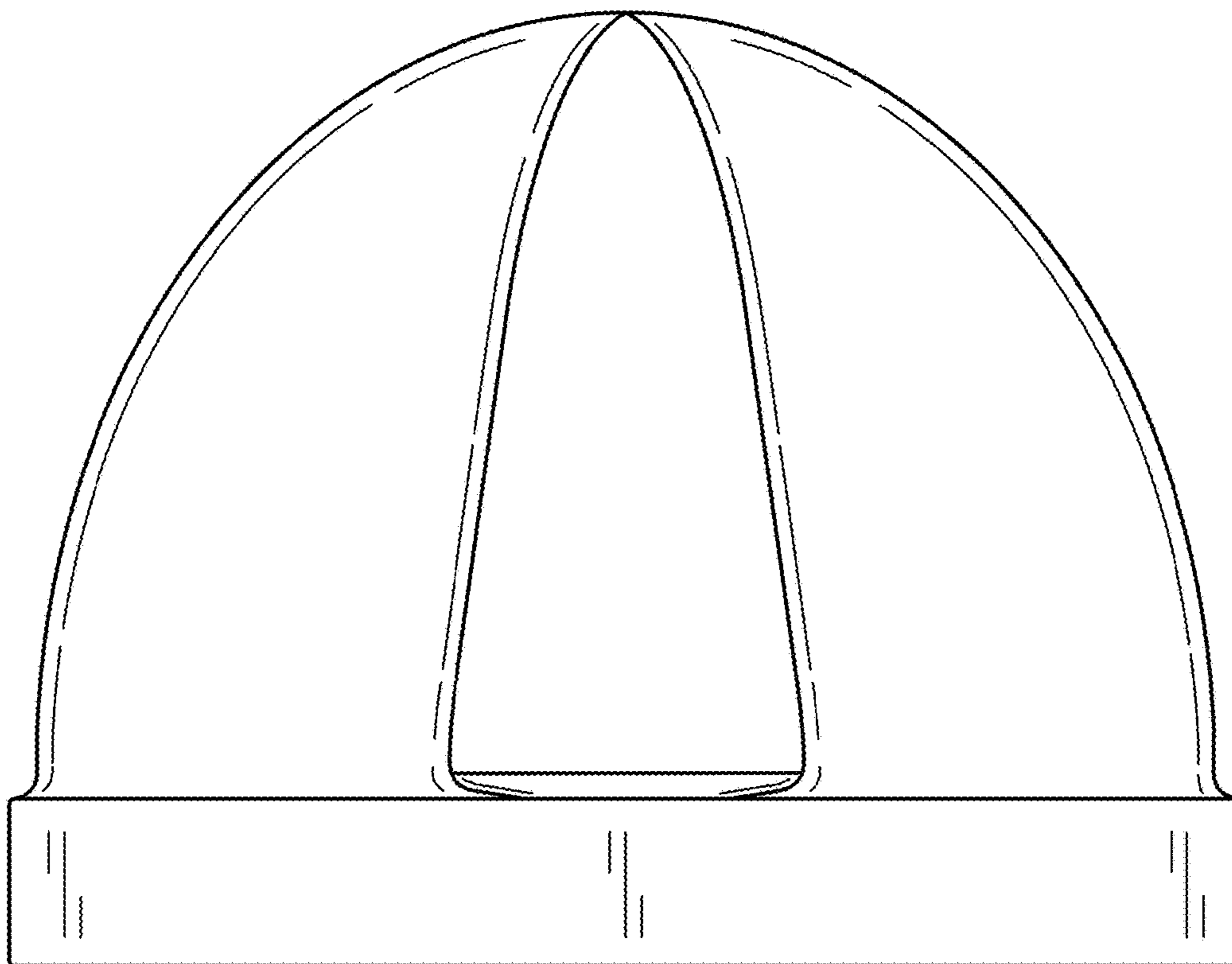


FIG. 17

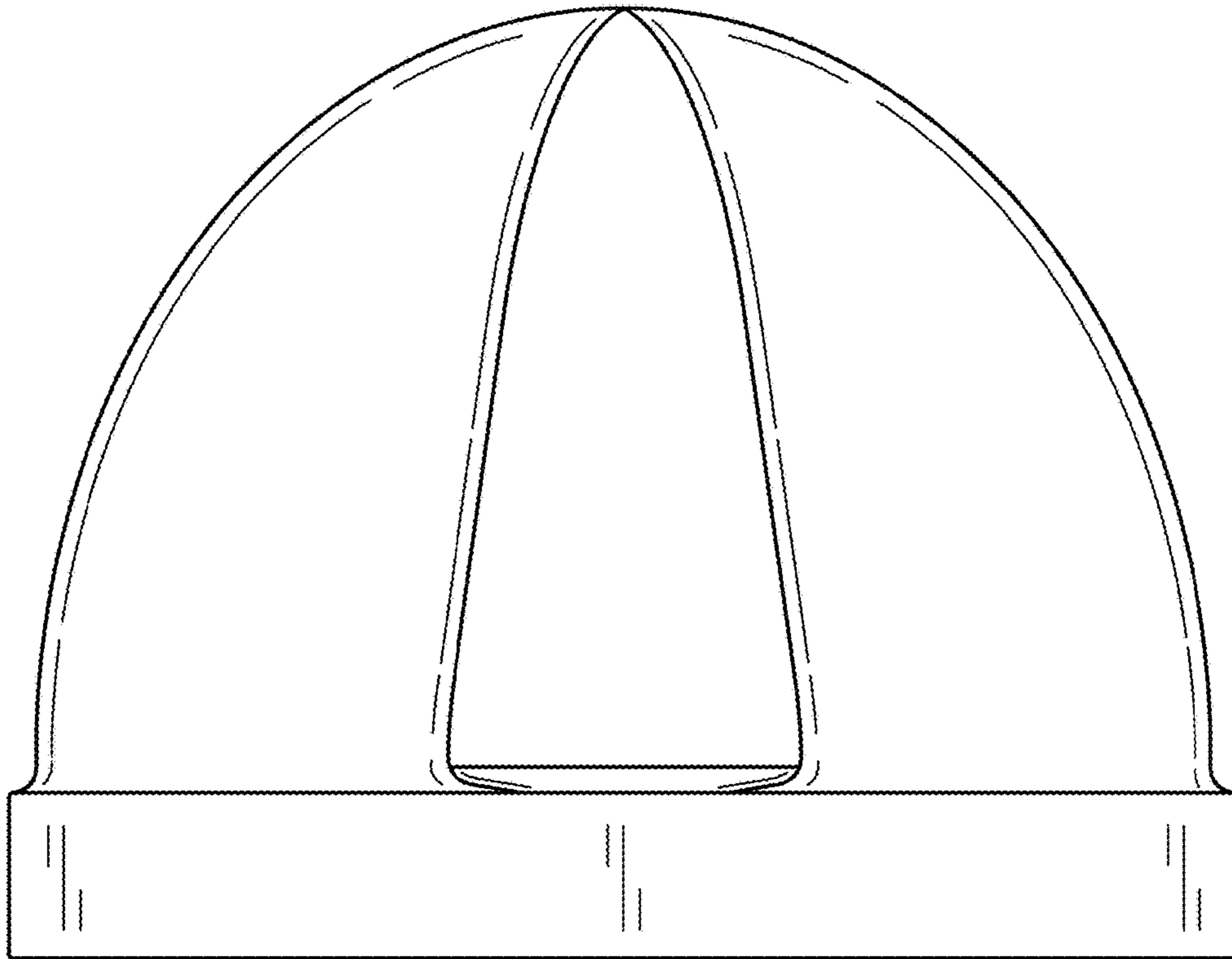


FIG. 18

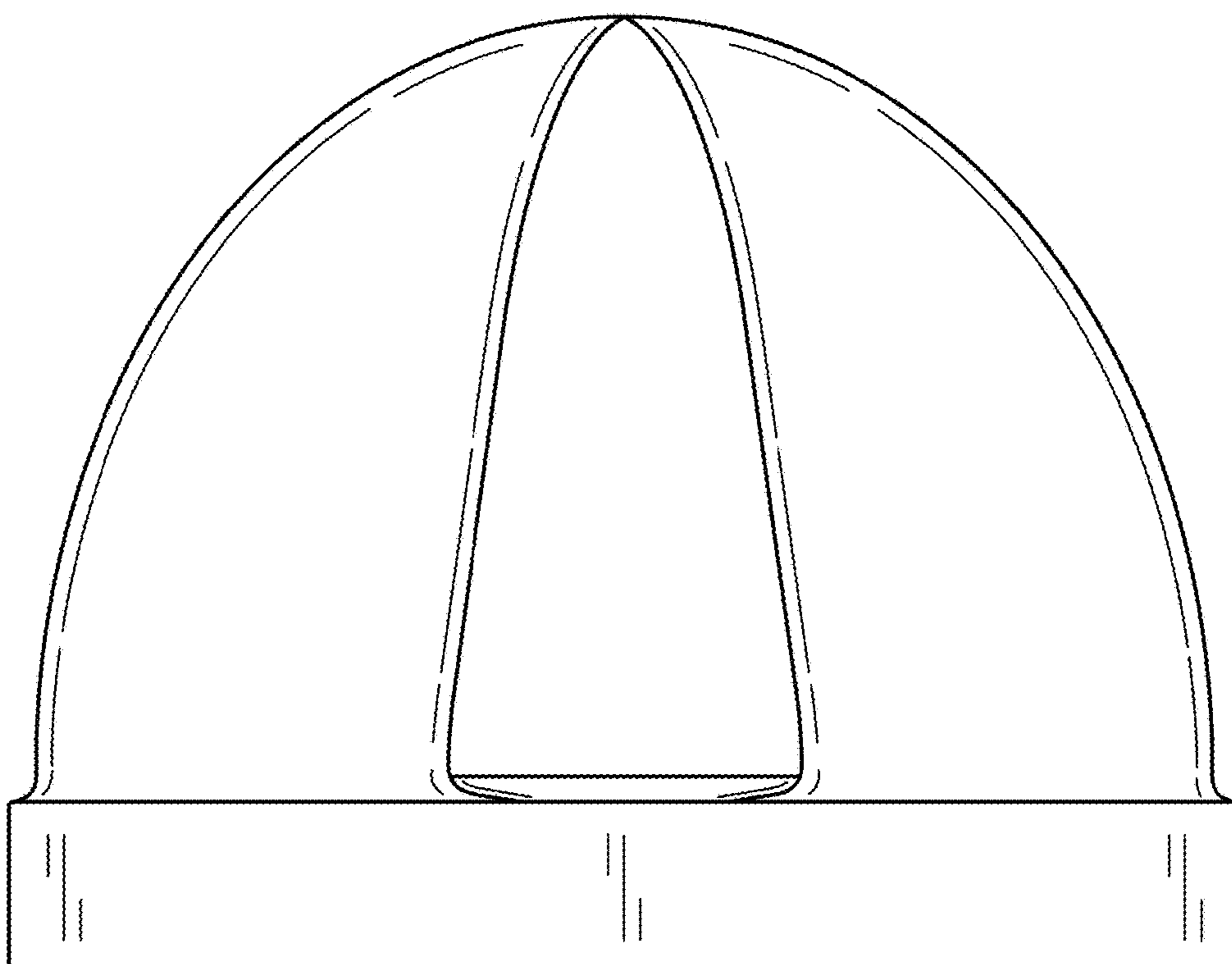


FIG. 19

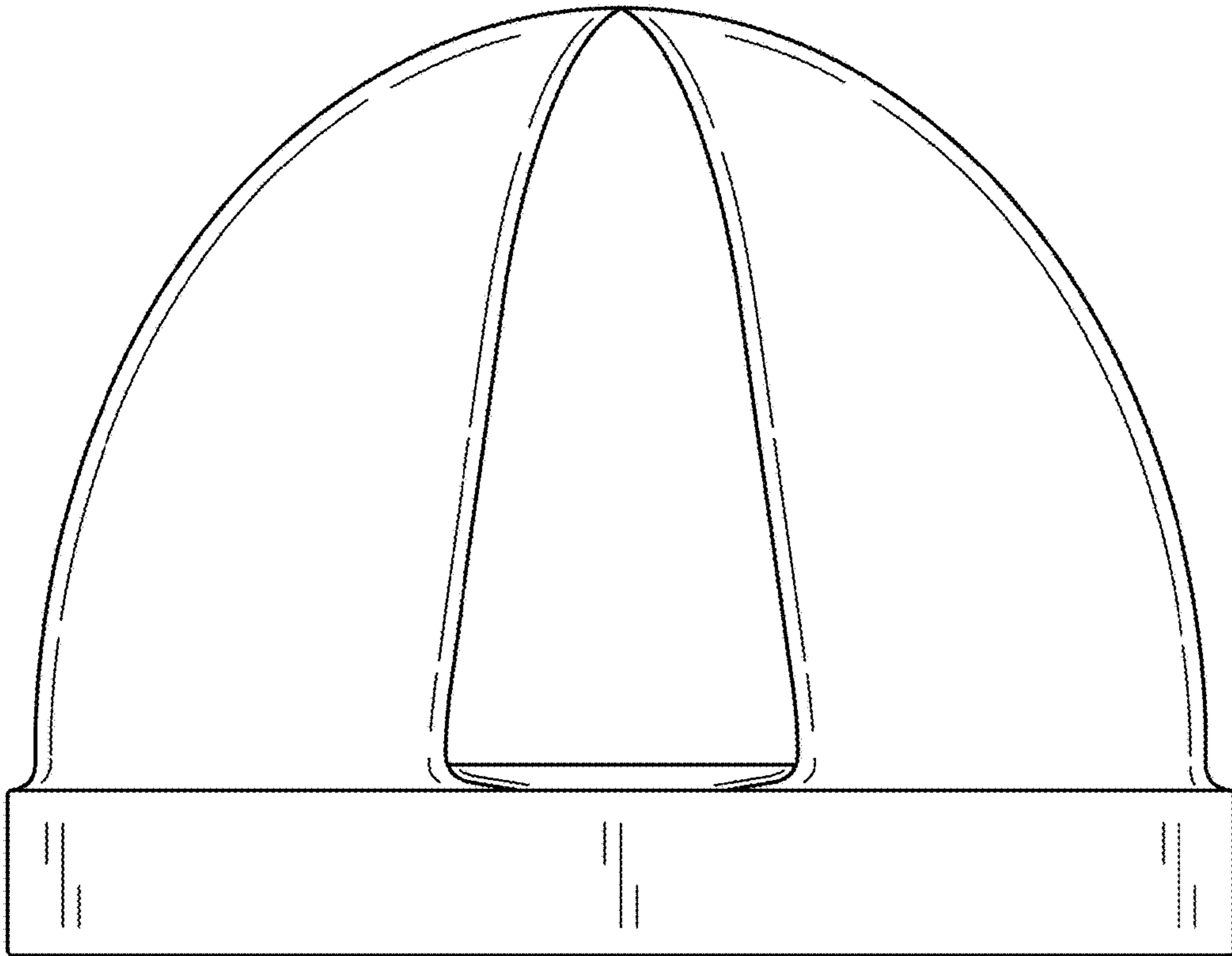


FIG. 20

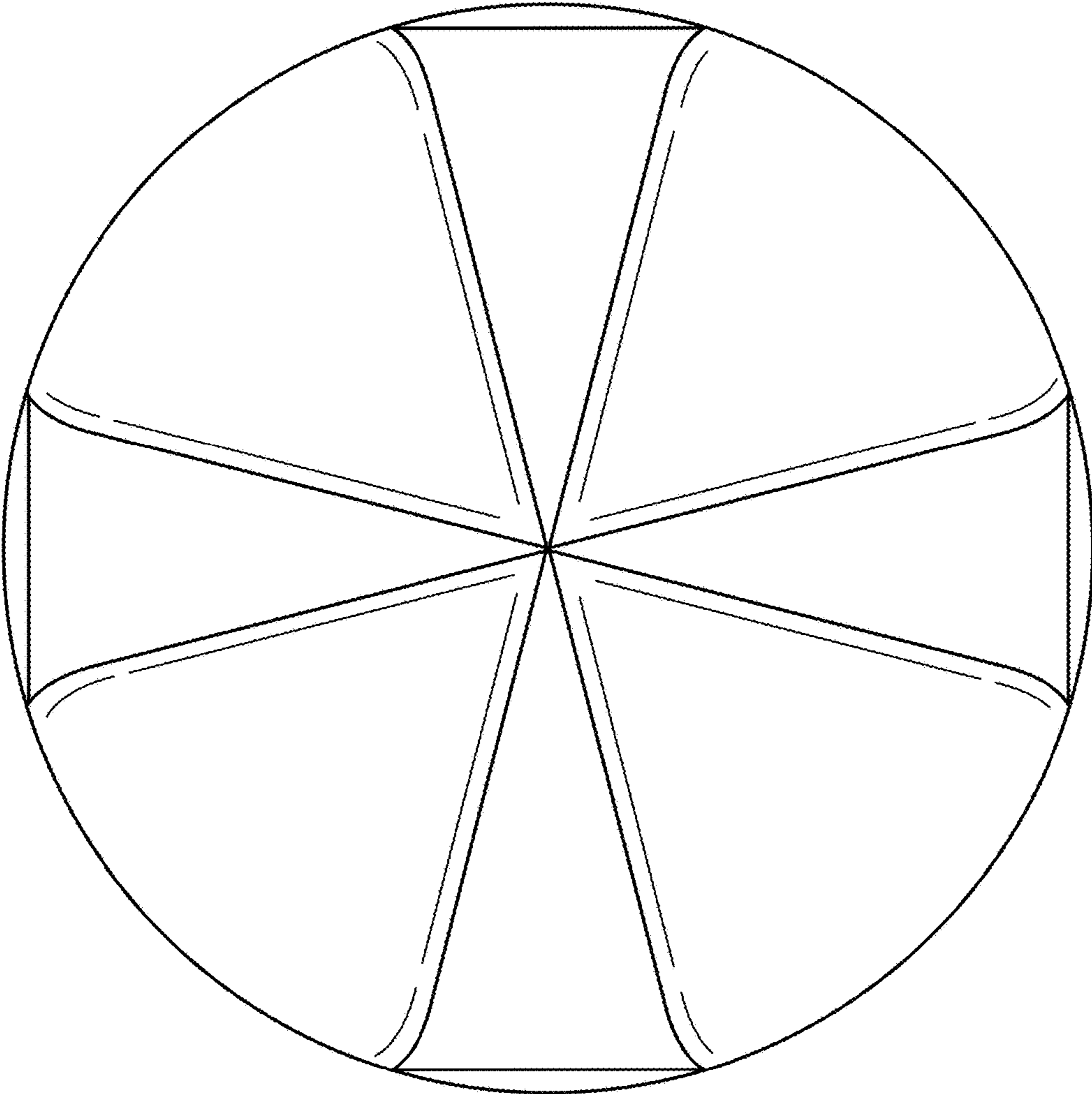


FIG. 21

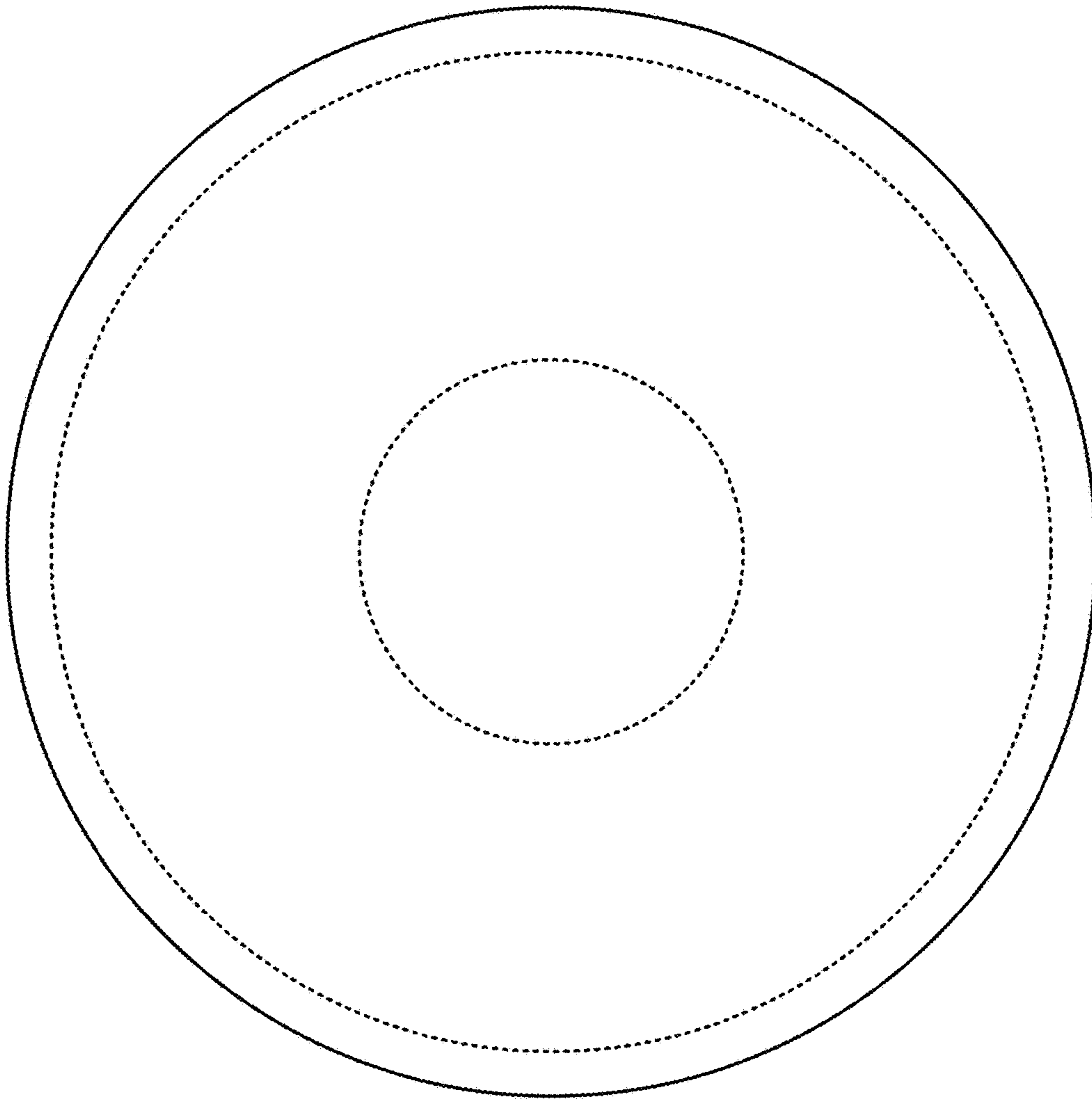


FIG. 22