



US00D865357S

(12) **United States Design Patent**
Metzger

(10) **Patent No.:** **US D865,357 S**

(45) **Date of Patent:** **** Nov. 5, 2019**

- (54) **BAG**
- (71) Applicant: **INTENSIVE GMBH**, Bolligen (CH)
- (72) Inventor: **Raffaella Iten Metzger**, Bolligen (CH)
- (73) Assignee: **INTENSIVE GMBH**, Bolligen (CH)
- (**) Term: **15 Years**
- (21) Appl. No.: **35/503,630**
- (22) Filed: **Mar. 22, 2017**

(80) **Hague Agreement Data**

Int. Filing Date: **Mar. 22, 2017**
 Int. Reg. No.: **DM/097489**
 Int. Reg. Date: **Mar. 22, 2017**
 Int. Reg. Pub. Date: **Sep. 8, 2017**

(51) **LOC (12) Cl.** **03-01**

(52) **U.S. Cl.**
USPC **D3/232**

(58) **Field of Classification Search**
 USPC D3/232–233, 240–243, 245–247,
 D3/249–253, 273, 277, 292, 318
 CPC A45C 1/024; A45C 3/06
 See application file for complete search history.

(56) **References Cited**

U.S. PATENT DOCUMENTS

D95,295 S *	4/1935	Walinsky	D3/243
D143,191 S *	12/1945	Deutz	D3/232
D248,058 S *	5/1978	Siegel	D3/243
D332,006 S *	12/1992	Ross	D3/243
D341,939 S *	12/1993	Zelcer	D3/243
D483,563 S *	12/2003	Dwight	D3/243
D566,384 S *	4/2008	Yanz	D3/232
D578,753 S *	10/2008	Hsu	D3/232

D596,396 S *	7/2009	McCoy	D3/232
D596,850 S *	7/2009	Smith	D3/232
D607,205 S *	1/2010	Sabbah	D3/243
D816,340 S *	5/2018	Rosella	D3/318
D821,745 S *	7/2018	Dumas	D3/232

* cited by examiner

Primary Examiner — Manpreet S Matharu
Assistant Examiner — Holly E Thurman
 (74) *Attorney, Agent, or Firm* — Pierce Atwood LLP;
 Kevin M. Farrell; Shannon Vittengl

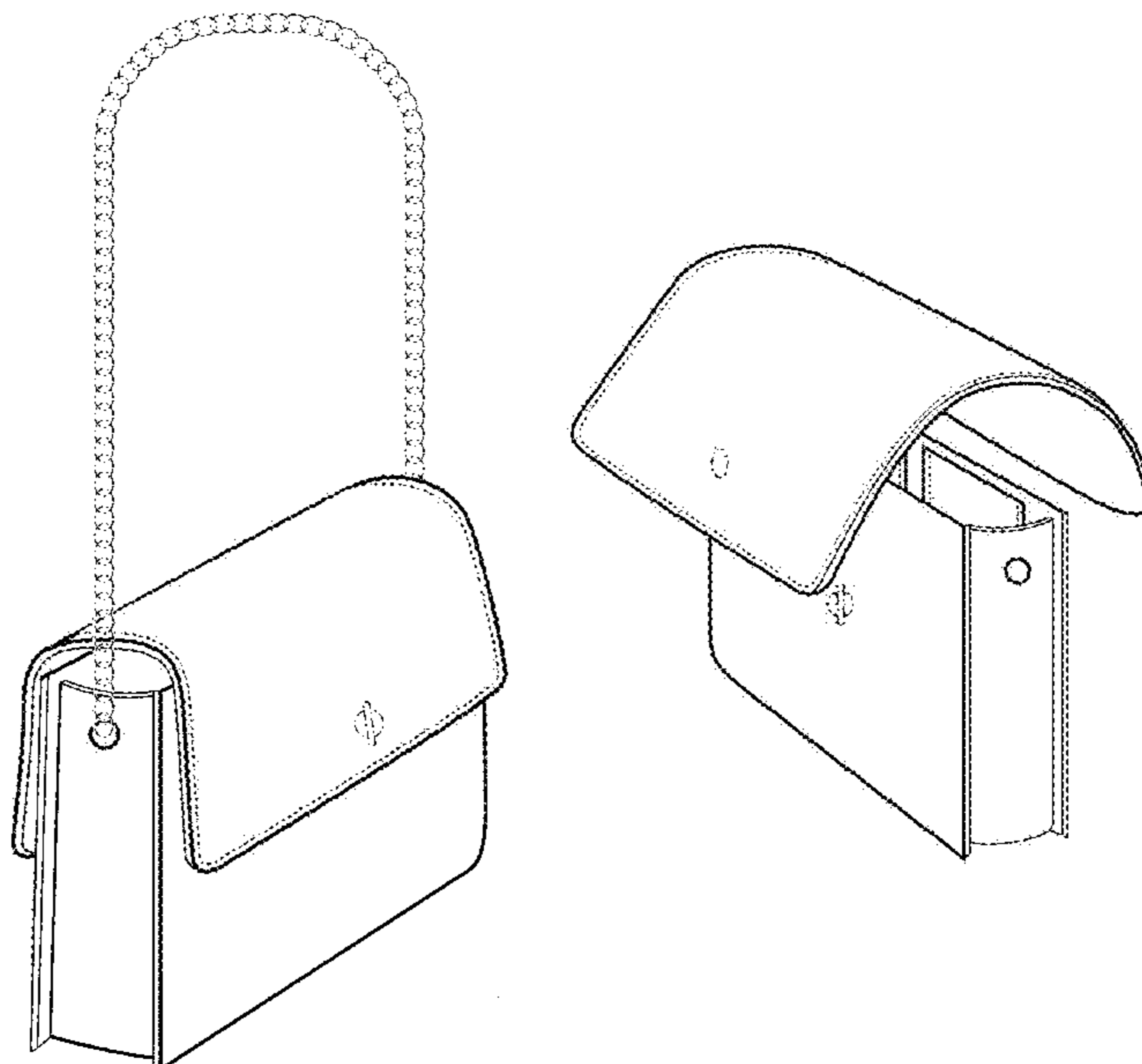
(57) **CLAIM**

The ornamental design for a bag, as shown and described.

DESCRIPTION

Figure 1.1 is a front perspective view showing our new design, with the carrying strap shown in an attached state of use;
 Figure 1.2 is a front view thereof;
 Figure 1.3 is a back view thereof;
 Figure 1.4 is a side view thereof;
 Figure 1.5 is a top view thereof;
 Figure 1.6 is a bottom view of the bag only, with the carrying strap and lid of the bag not shown;
 Figure 1.7 is a perspective view of the bottom part of the bag only;
 Figure 1.8 is a top view of the lid of the bag only, shown detached and unfolded; and
 Figure 1.9 is a perspective view of the bag with the lid in a detached state of use.
 The broken lines represented as dot-dot-dot depict stitching and form part of the claimed design. The broken lines represented as dot-dash-dot-dash form no part of the claimed design.

1 Claim, 9 Drawing Sheets



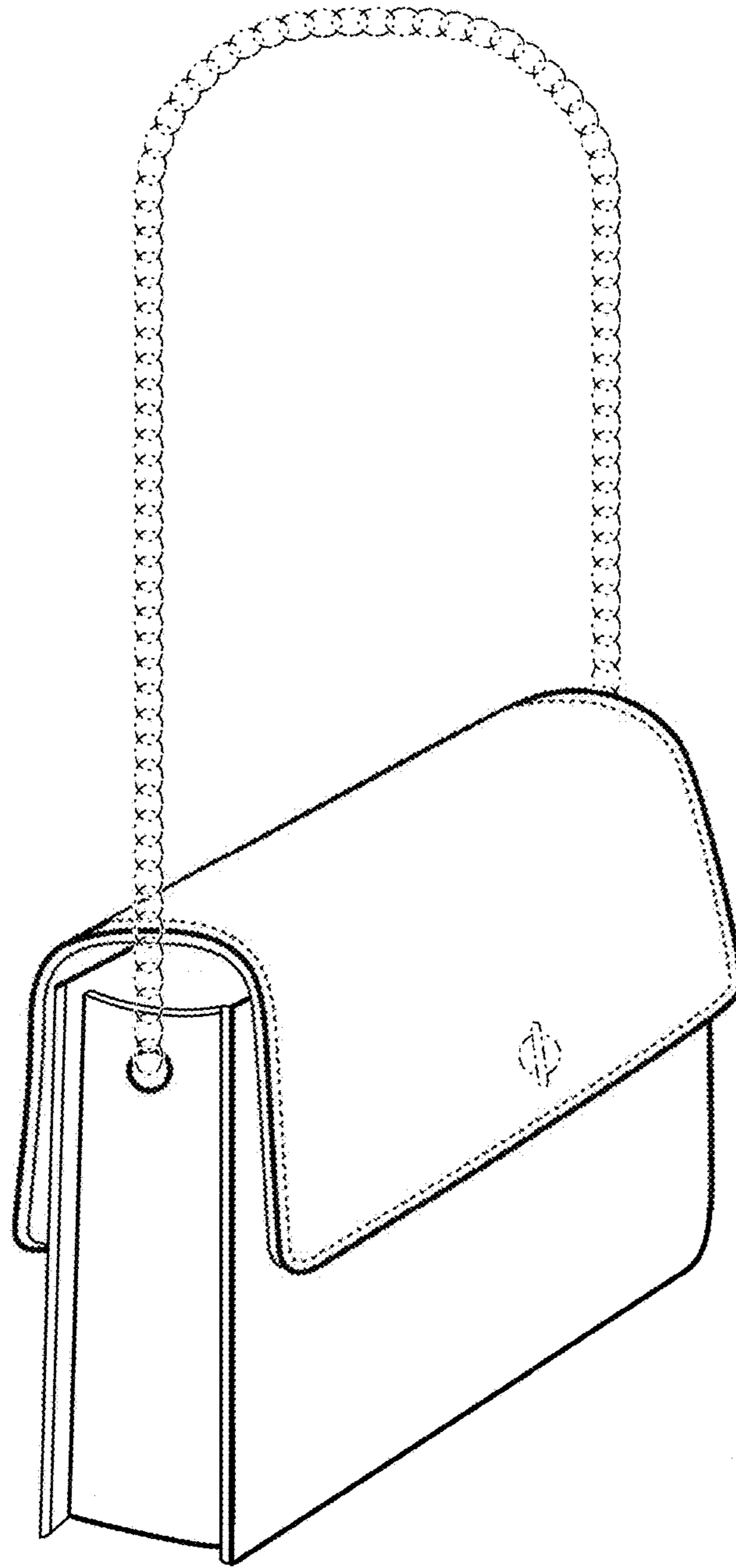


Figure 1.1

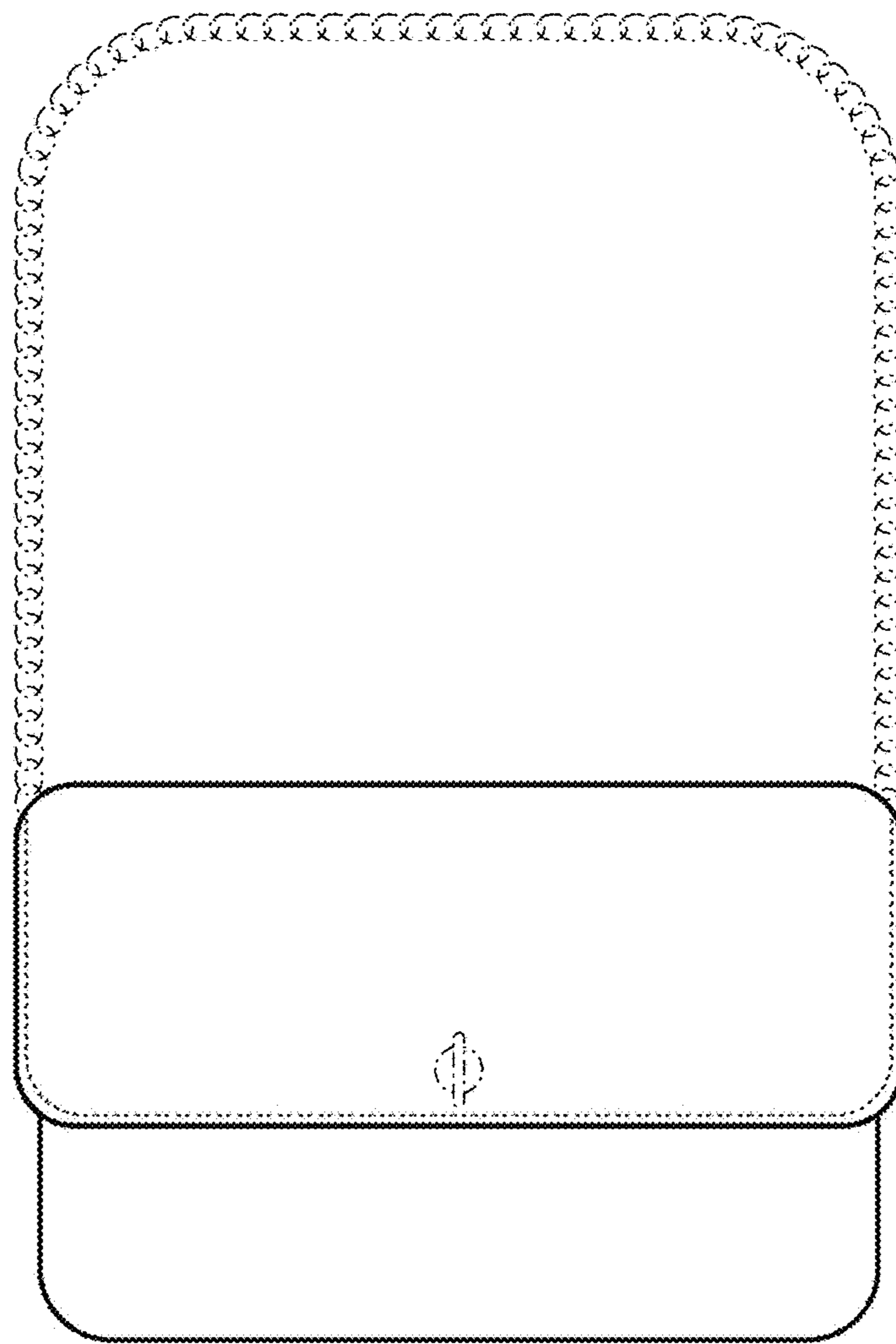


Figure 1.2

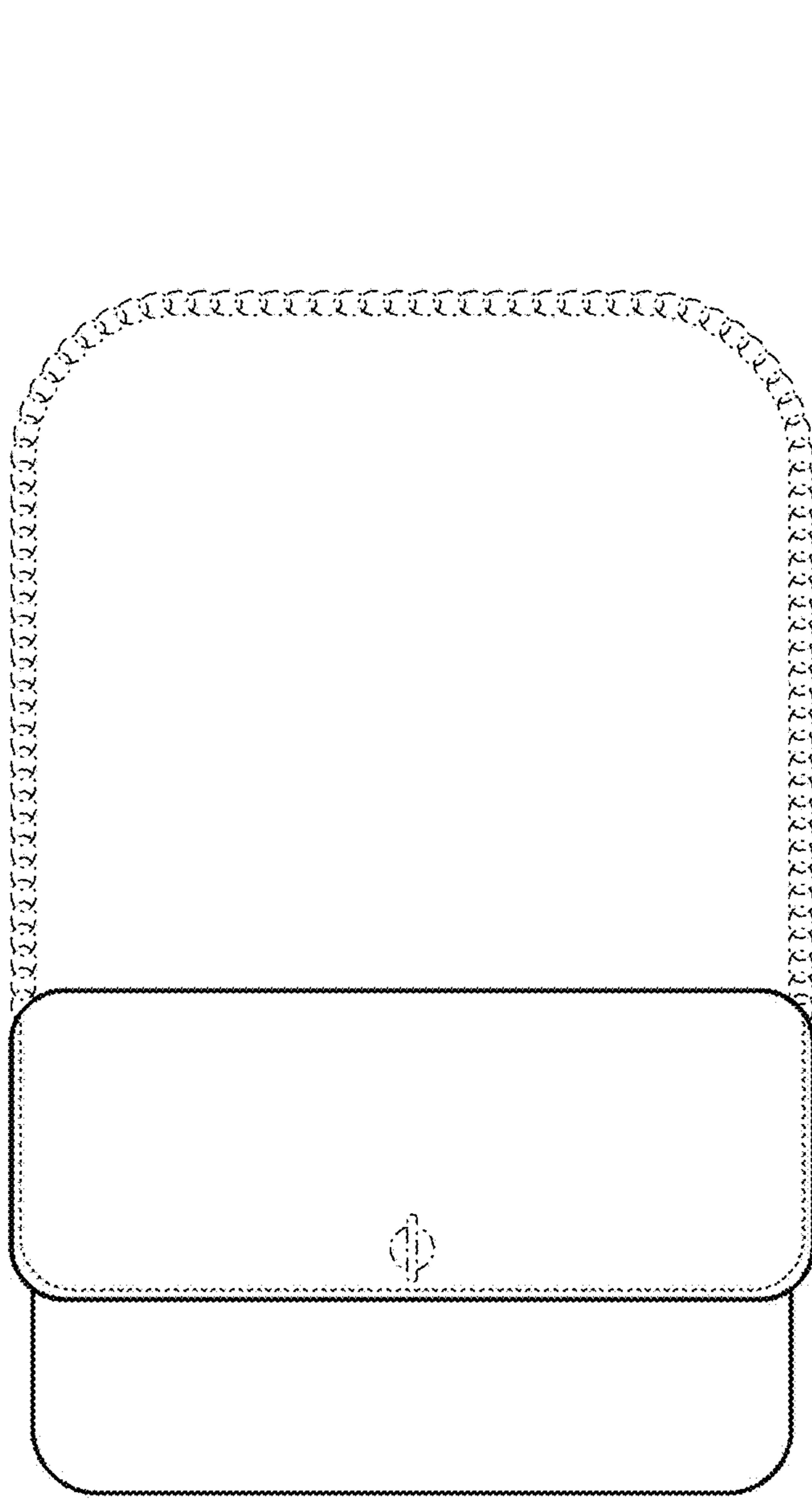


Figure 1.3

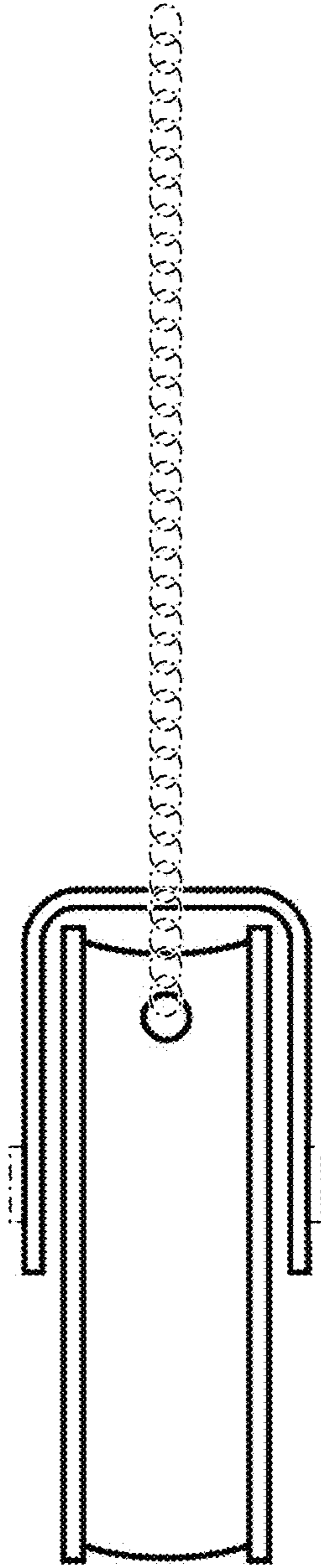


Figure 1.4

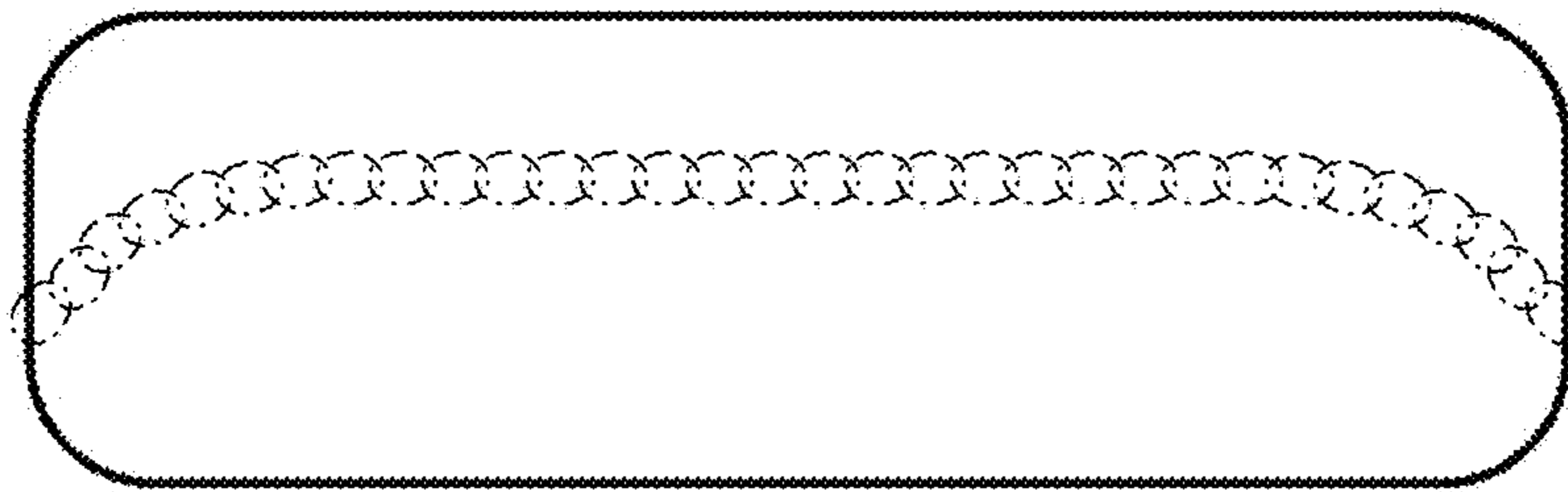


Figure 1.5



Figure 1.6

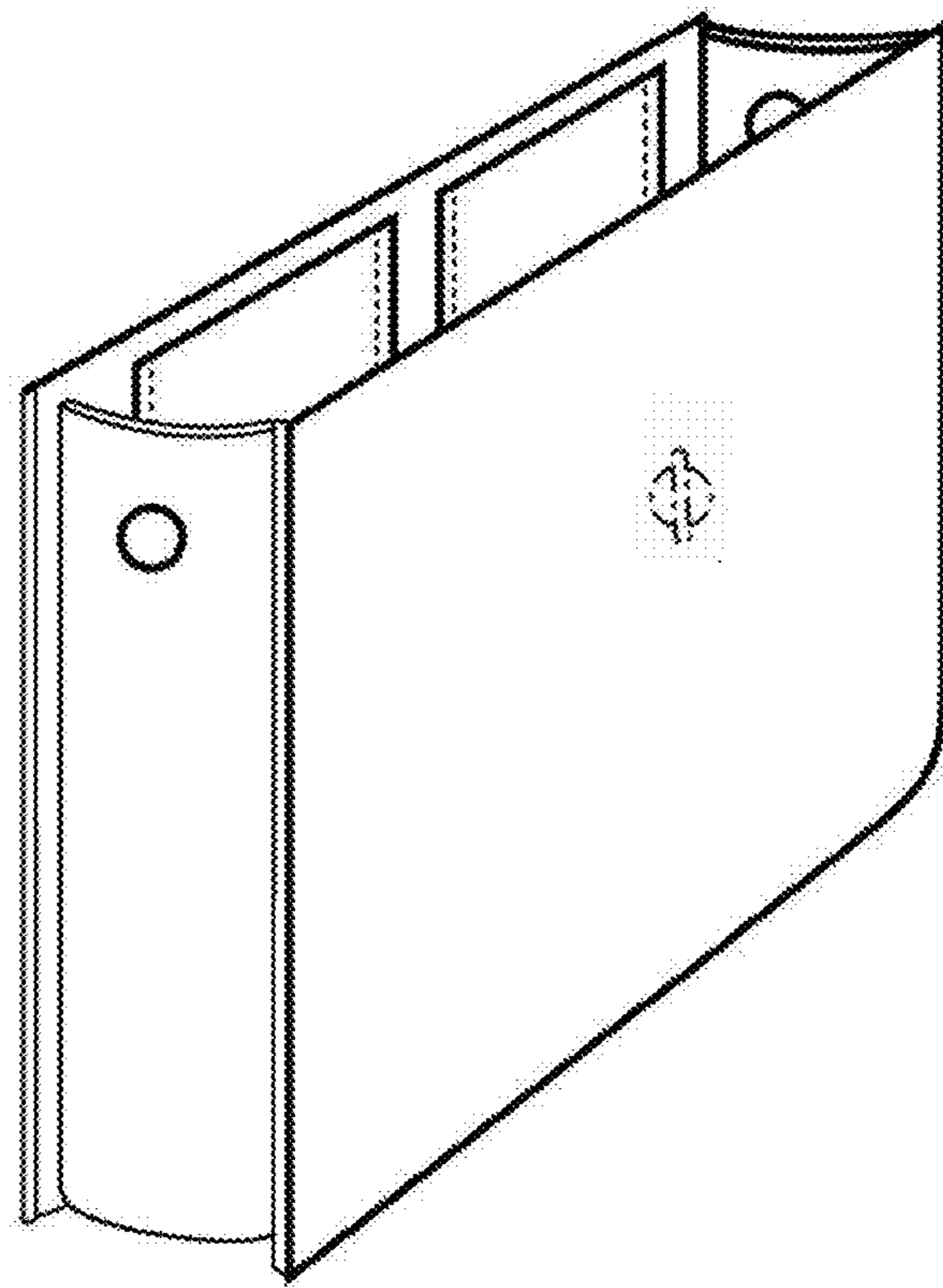


Figure 1.7

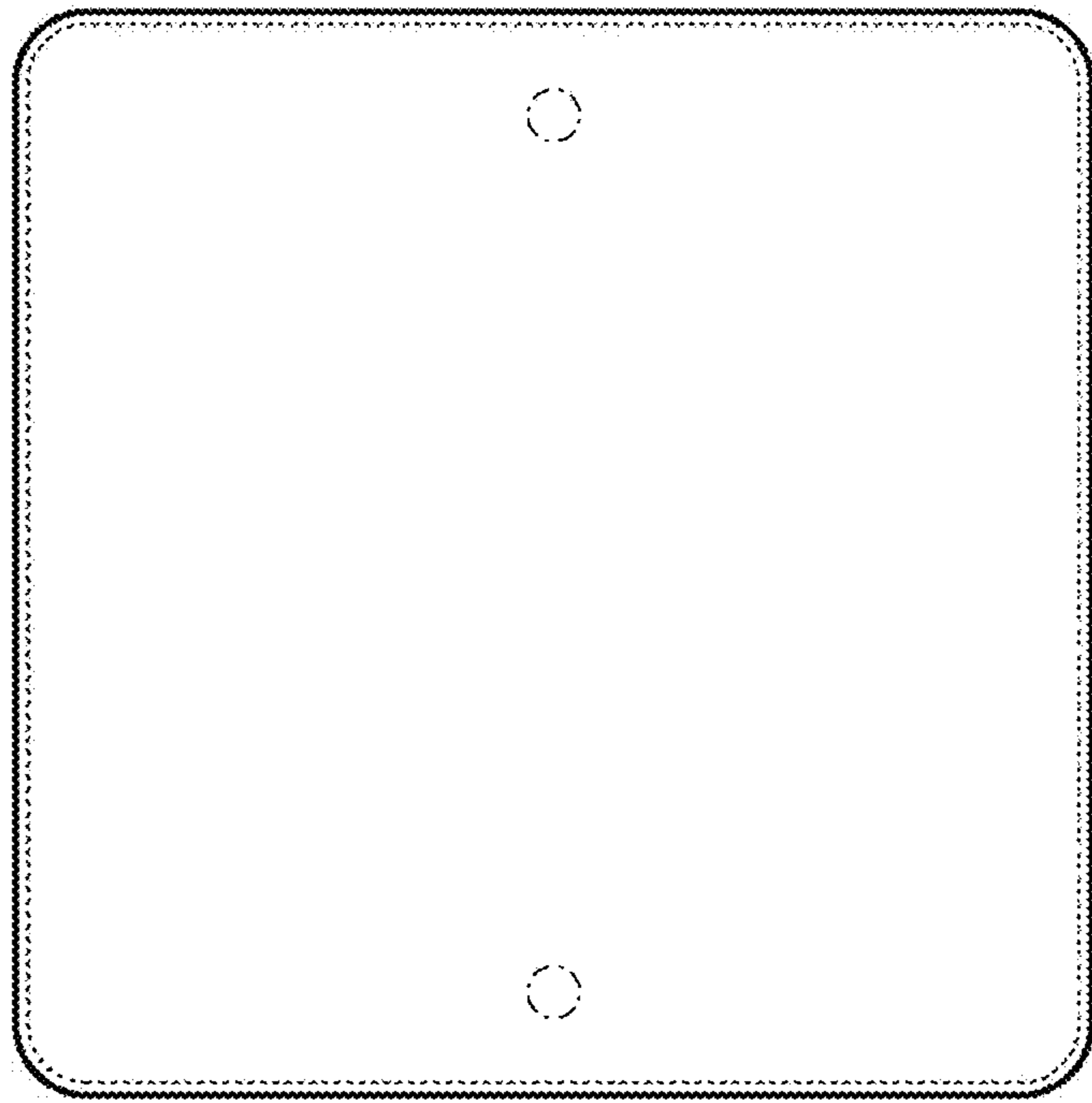


Figure 1.8

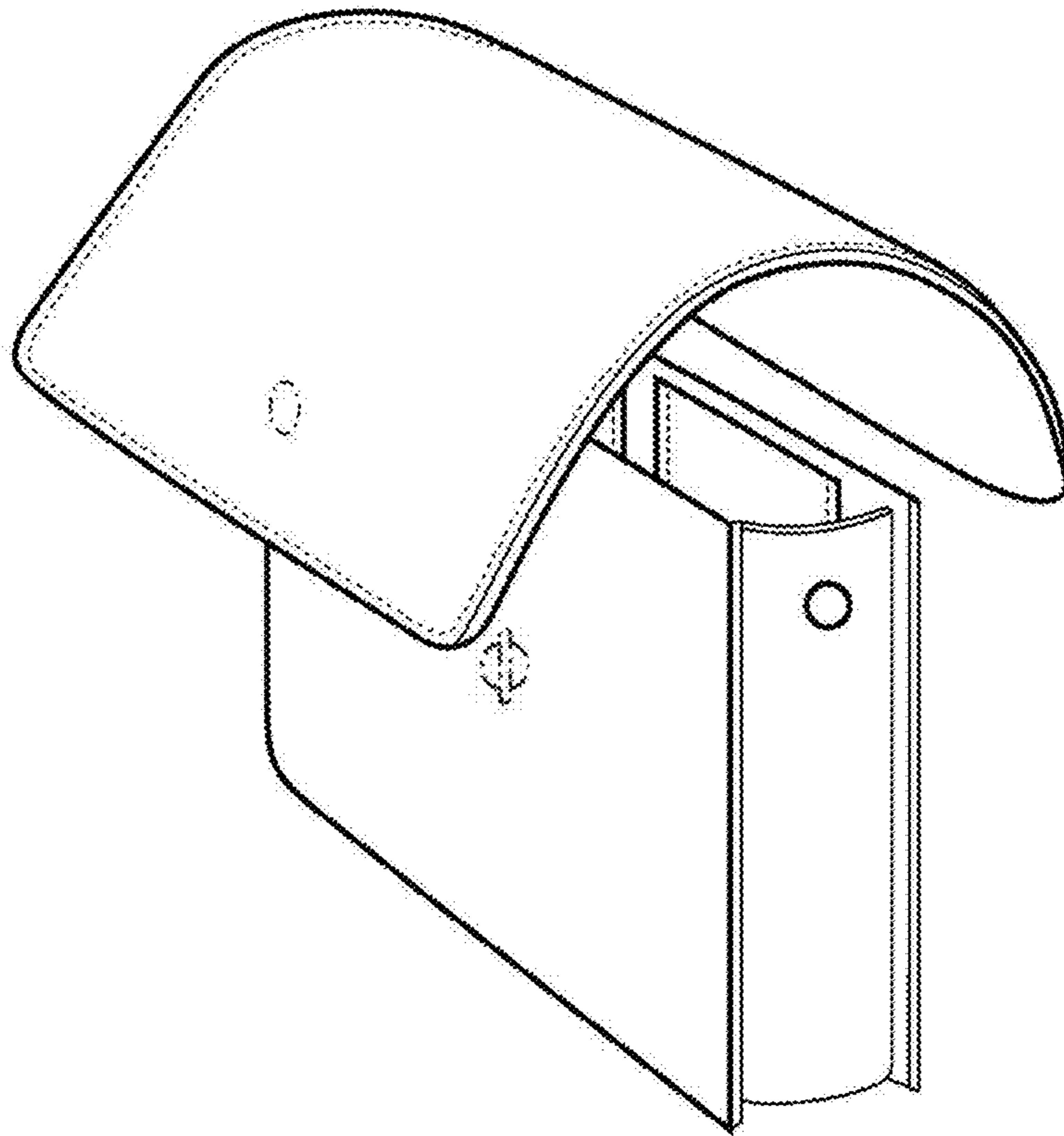


Figure 1.9