



US00D865356S

(12) **United States Design Patent**
Chen

(10) **Patent No.:** **US D865,356 S**

(45) **Date of Patent:** **** Nov. 5, 2019**

(54) **RUNNING BELT**

(71) Applicant: **WeiFeng Chen, LiuYang (CN)**

(72) Inventor: **WeiFeng Chen, LiuYang (CN)**

(**) Term: **15 Years**

(21) Appl. No.: **29/661,414**

(22) Filed: **Aug. 28, 2018**

(51) **LOC (12) Cl.** **03-01**

(52) **U.S. Cl.**
USPC **D3/226**

(58) **Field of Classification Search**

USPC D3/221, 224, 226, 228; 224/219, 222,
224/267, 269, 236, 240-242, 245,
224/250-251, 253, 578-579, 660, 664,
224/674, 677, 680, 683-684, 901, 904,
224/914, 919
CPC A45F 3/005; A45F 3/14; A45F 5/00; A45F
5/02; A45F 5/021; A45F 2003/144; A45F
2200/05; A41F 9/00; A41F 9/02; A45C
11/00; A45C 11/22

See application file for complete search history.

(56) **References Cited**

U.S. PATENT DOCUMENTS

D365,928 S * 1/1996 Sauer D3/224
D630,012 S * 1/2011 Pomerantz D3/221

D630,841 S * 1/2011 Pomerantz D3/221
D793,719 S * 8/2017 Pomerantz D3/221
D808,644 S * 1/2018 Overton D3/226
D809,288 S * 2/2018 Preseren D3/224
D835,402 S * 12/2018 Pomerantz D3/226
2008/0190980 A1* 8/2008 Overton A45F 3/14
224/664

* cited by examiner

Primary Examiner — Catherine R Oliver-Garcia

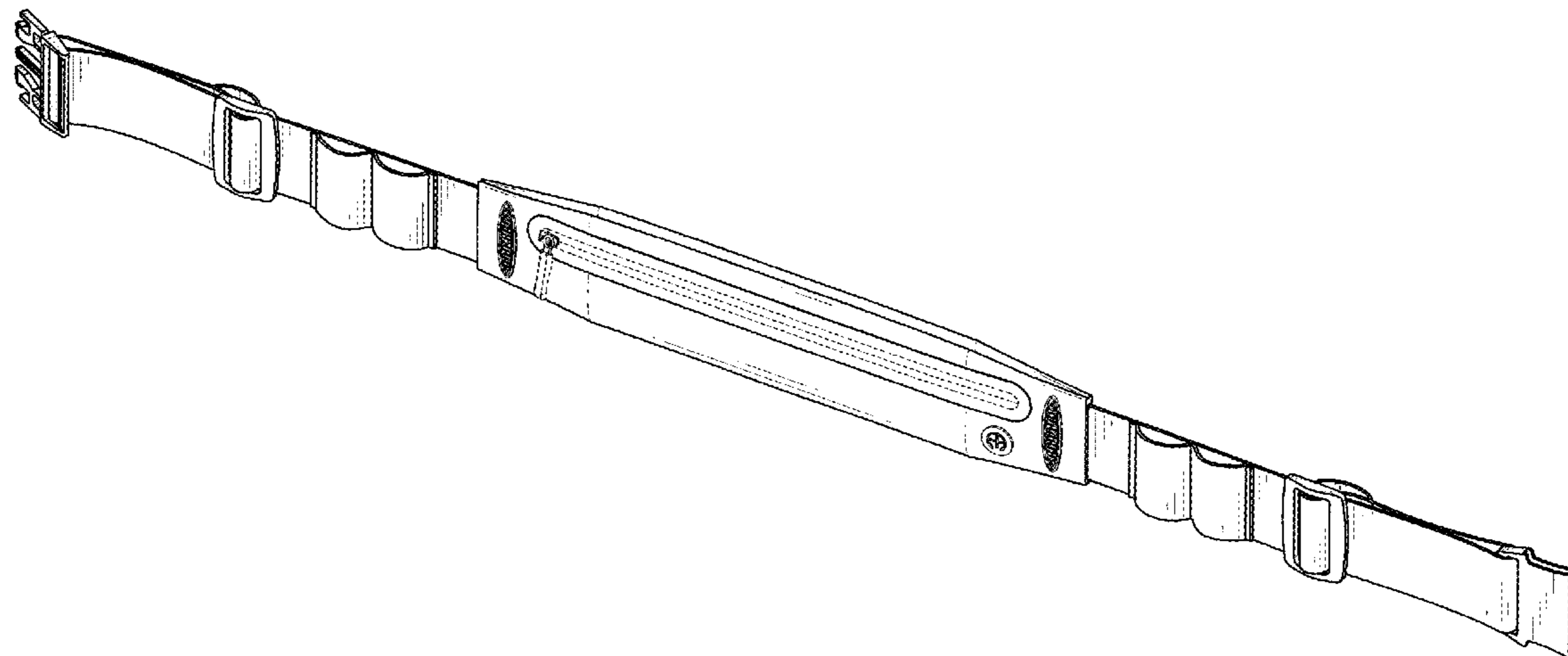
(57) **CLAIM**

The ornamental design for a running belt, as shown and described.

DESCRIPTION

FIG. 1 is a front and top perspective view of a running belt showing the new design;
FIG. 2 is a bottom and rear perspective view thereof;
FIG. 3 is a front elevational view thereof;
FIG. 4 is a rear elevational view thereof;
FIG. 5 is a left side elevational view thereof;
FIG. 6 is a right side elevational view thereof;
FIG. 7 is a top plan view thereof; and,
FIG. 8 is a bottom plan view thereof.
The broken lines immediately adjacent to the claimed portions are boundaries, all other broken lines are environmental structures; all the broken lines form no part of the claimed design.

1 Claim, 8 Drawing Sheets



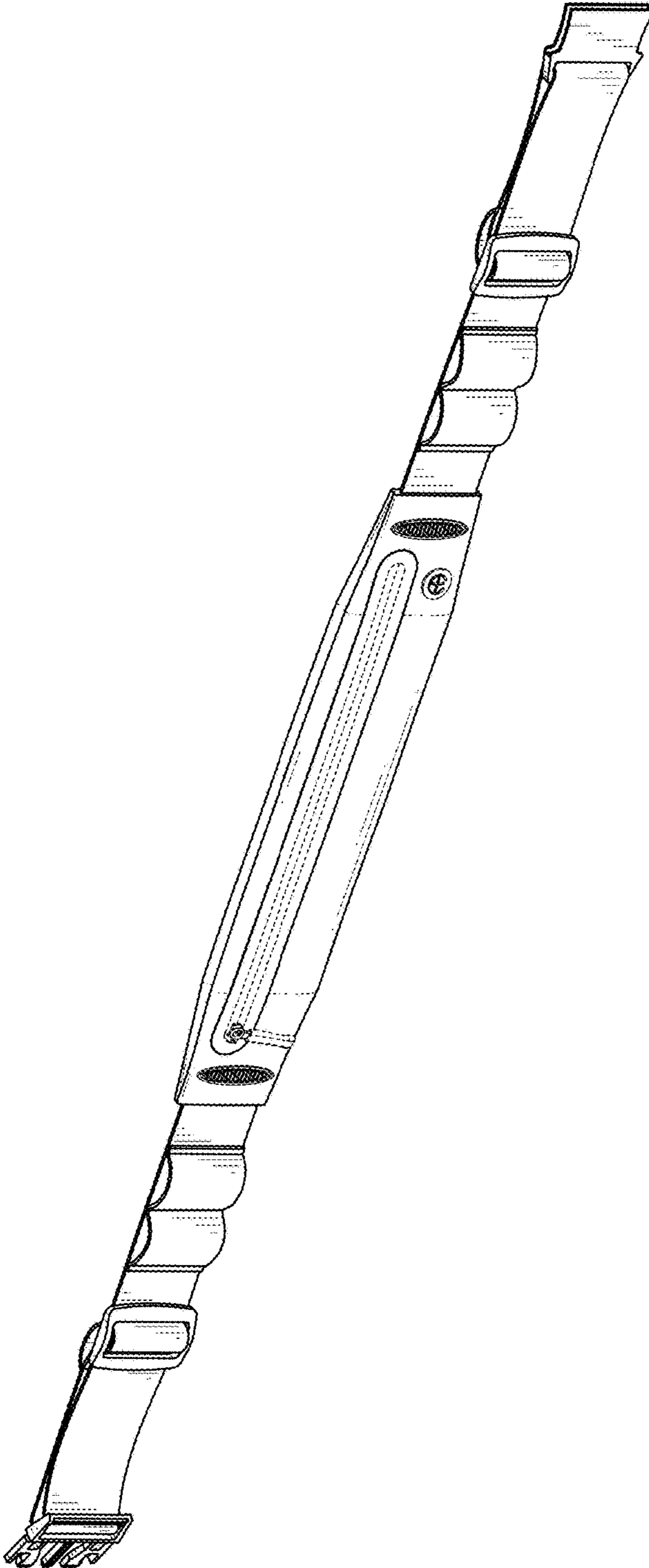


FIG. 1

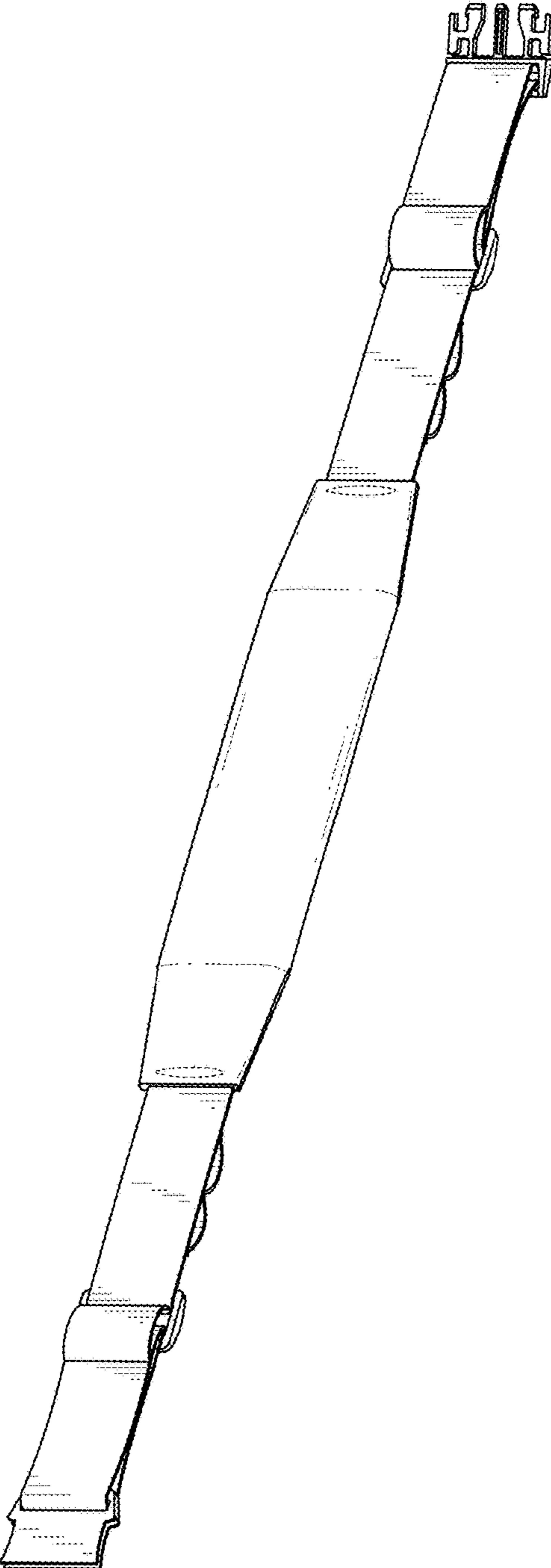


FIG. 2

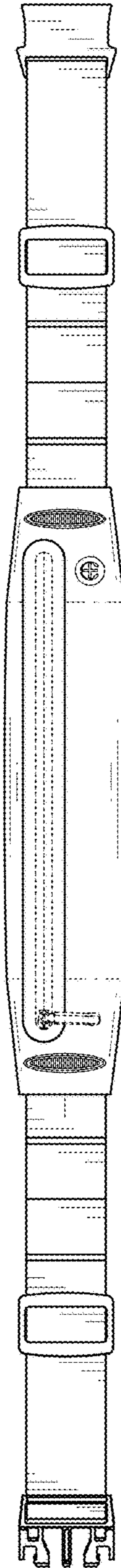


FIG. 3

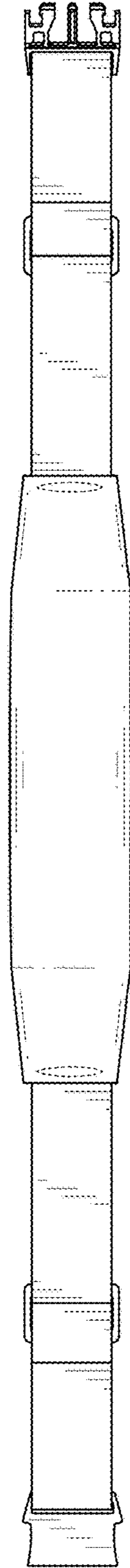


FIG. 4

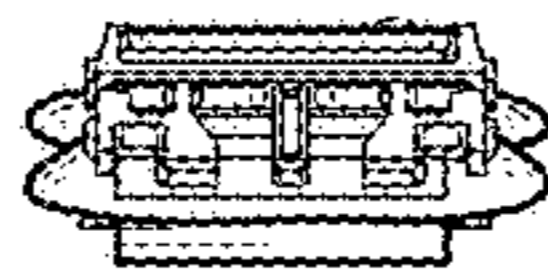


FIG. 5



FIG. 6

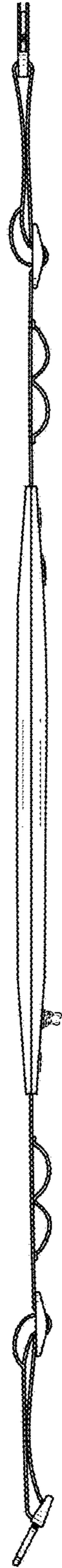


FIG. 7



FIG. 8