



US00D865334S

(12) **United States Design Patent** (10) **Patent No.:** **US D865,334 S**
Kang (45) **Date of Patent:** **** Nov. 5, 2019**

(54) **DECORATIVE ELEMENT FOR HATS**

(71) Applicant: **Jinwoo Kang**, Busan (KR)

(72) Inventor: **Jinwoo Kang**, Busan (KR)

(**) Term: **15 Years**

(21) Appl. No.: **35/505,844**

(22) Filed: **Apr. 11, 2018**

(80) **Hague Agreement Data**

Int. Filing Date: **Apr. 11, 2018**

Int. Reg. No.: **DM/101384**

Int. Reg. Date: **Apr. 11, 2018**

Int. Reg. Pub. Date: **Oct. 12, 2018**

(51) **LOC (12) Cl.** **02-03**

(52) **U.S. Cl.**

USPC **D2/891**

(58) **Field of Classification Search**

USPC D2/865, 866, 869, 872, 874, 877, 880,
D2/881, 882, 884, 891, 892, 893, 894,
D2/895, 999; D11/220

CPC A42B 1/00; A42B 1/002; A42B 1/004;
A42B 1/006; A42B 1/02; A42B 1/062;
A42B 1/064; A42B 1/205; A42B 1/22;
A42B 1/24

See application file for complete search history.

(56) **References Cited**

U.S. PATENT DOCUMENTS

5,003,640 A * 4/1991 Pizzacar A42B 1/248
2/181.4
D342,595 S * 12/1993 Day D11/200

D373,454 S * 9/1996 Ramirez D2/891
D412,937 S * 8/1999 Franklin D2/891
D753,375 S * 4/2016 Singletery D2/891
D753,905 S * 4/2016 Singletery D2/891
D754,950 S * 5/2016 Singletery D2/891
D754,951 S * 5/2016 Singletery D2/891
D757,402 S * 5/2016 White D2/891
D771,914 S * 11/2016 Cho D2/891
D793,675 S * 8/2017 Gates D2/882
2013/0111650 A1 * 5/2013 Hong A42B 1/225
2/209.13

* cited by examiner

Primary Examiner — Melanie Pellegrini

(57) **CLAIM**

The ornamental design for a decorative element for hats, as shown and described.

DESCRIPTION

1. Decorative element for hats

1.1 : Perspective

1.2 : Front

1.3 : Back

1.4 : Top

1.5 : Bottom

1.6 : Left

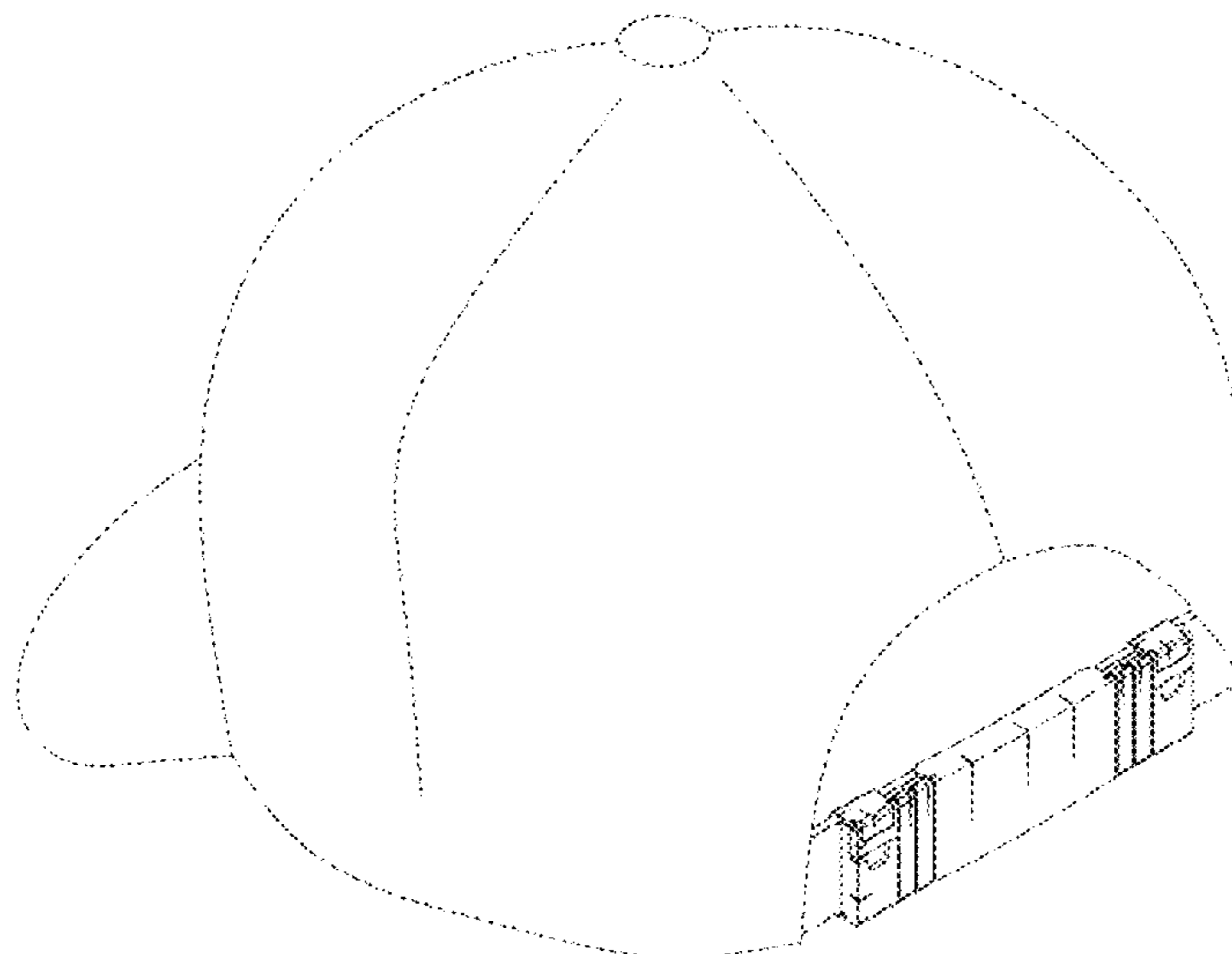
1.7 : Right

1.8 : Reference

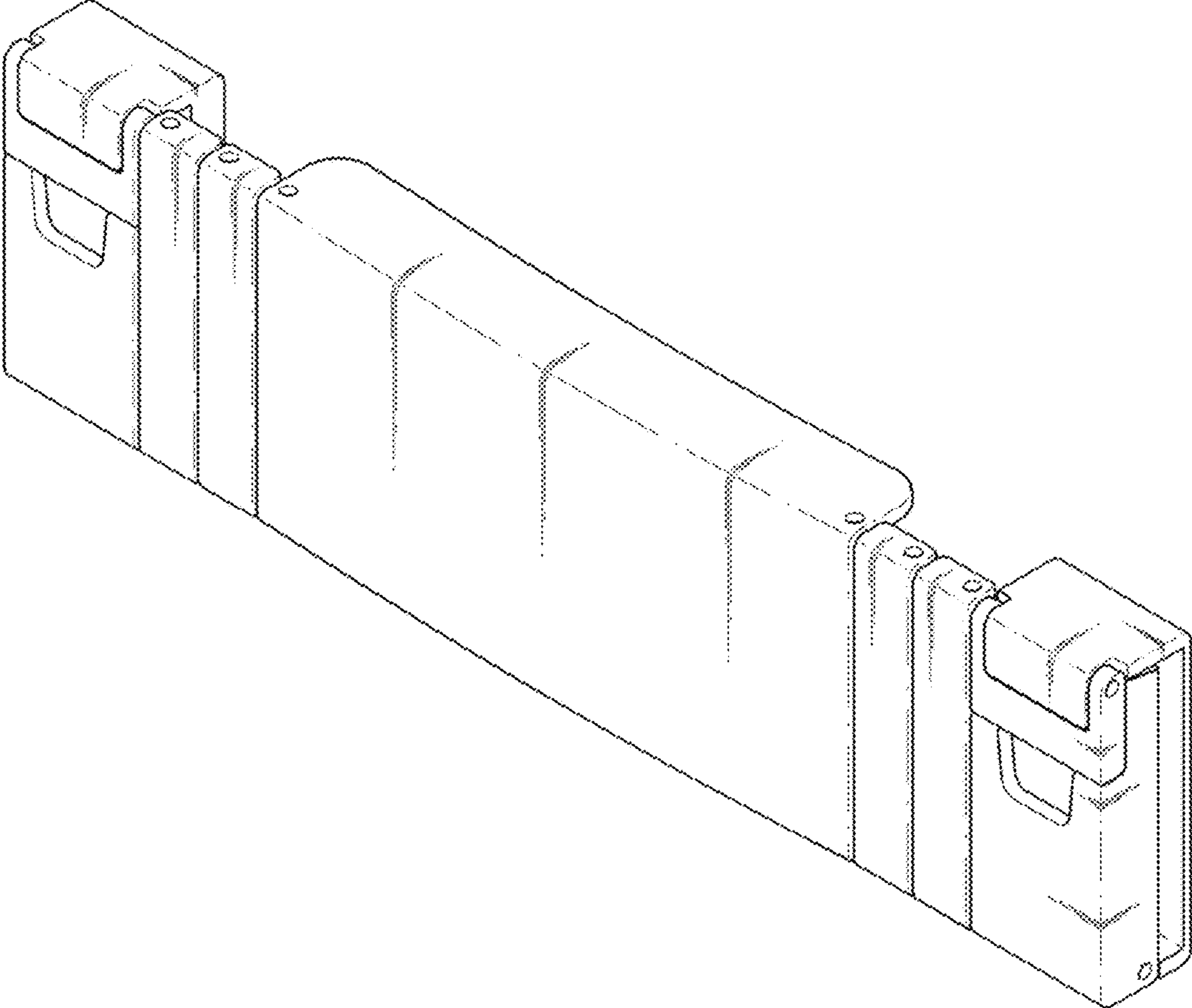
This design is made of metals or plastics and mounted on hat band, as shown in the reproduction **1.8**.

The broken lines shown in the drawings illustrate environment and form no part of the claimed design.

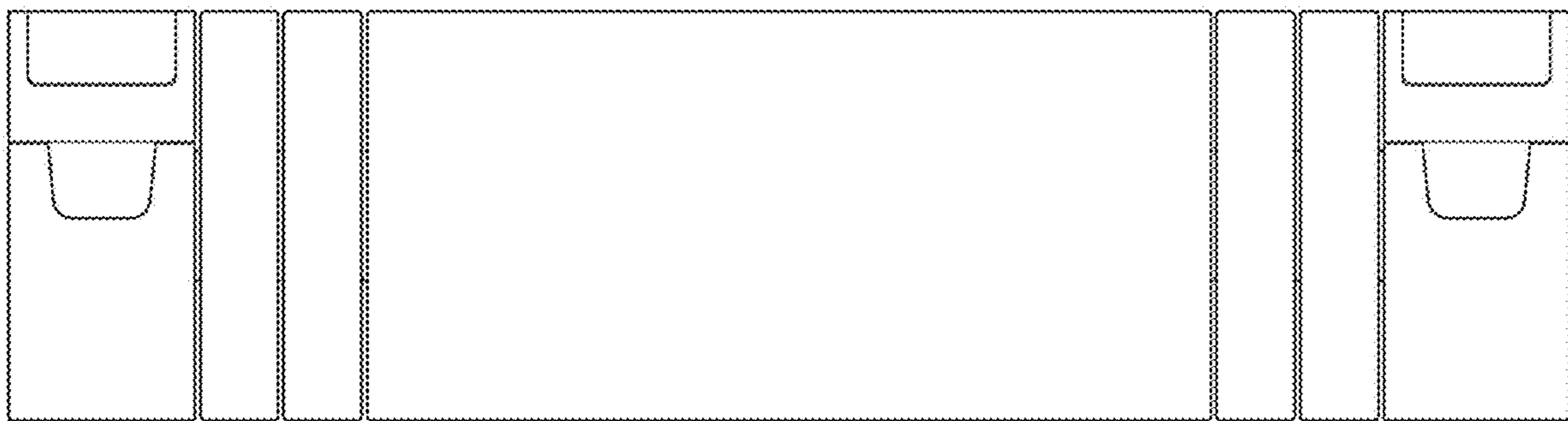
1 Claim, 8 Drawing Sheets



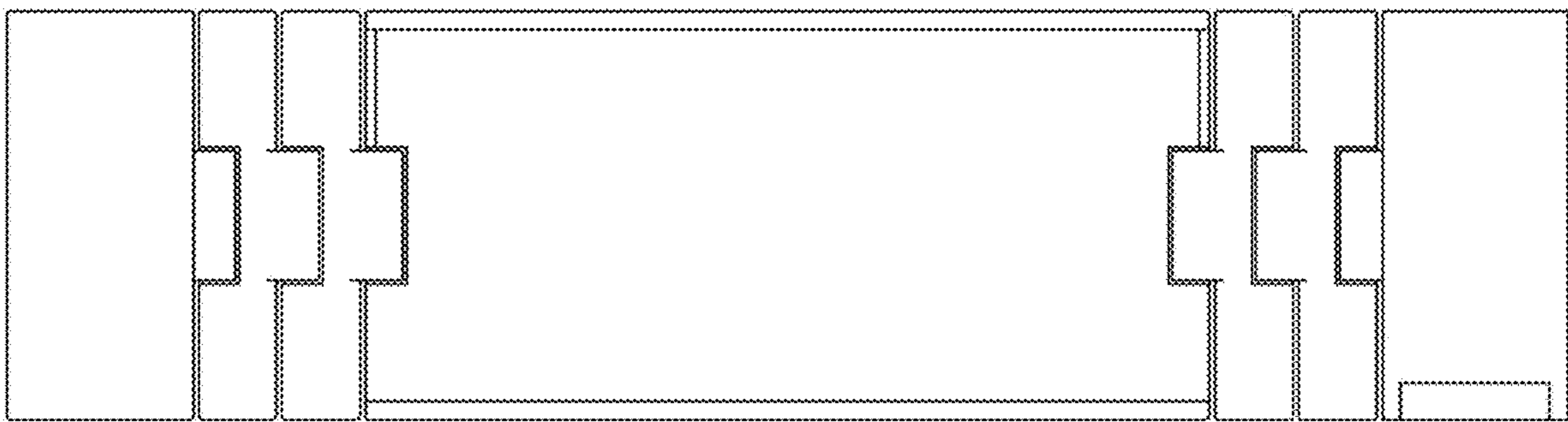
1.1

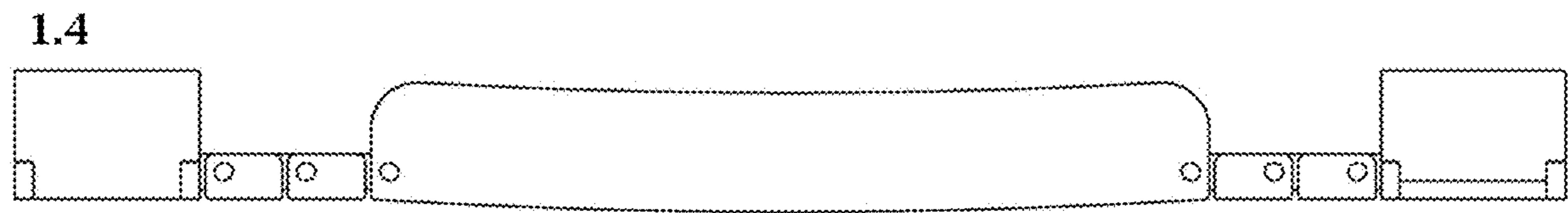


1.2

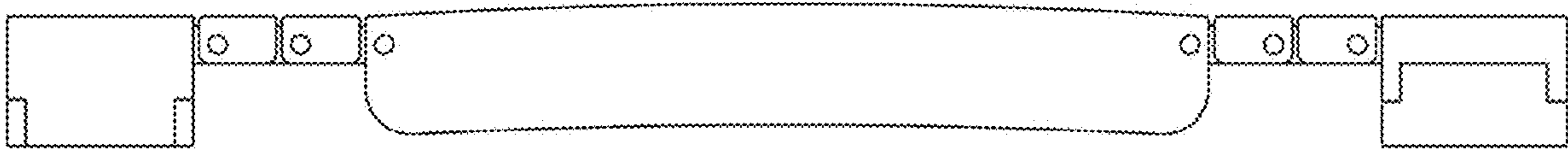


1.3

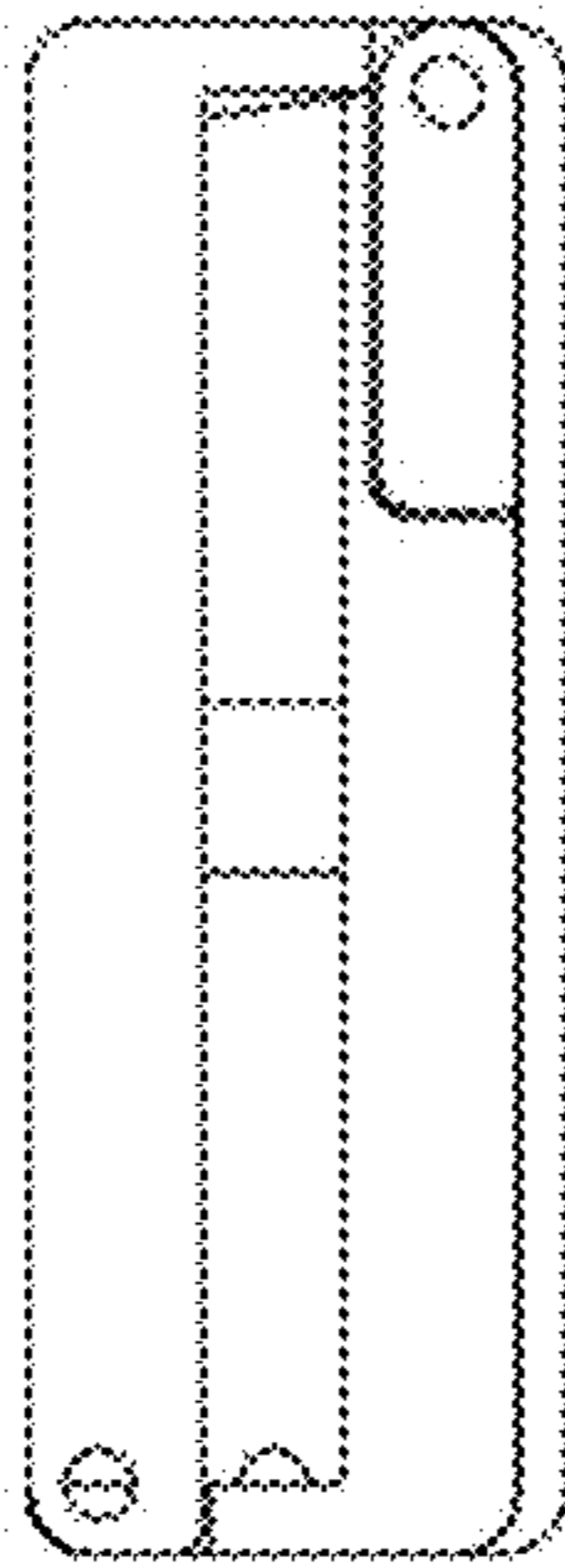




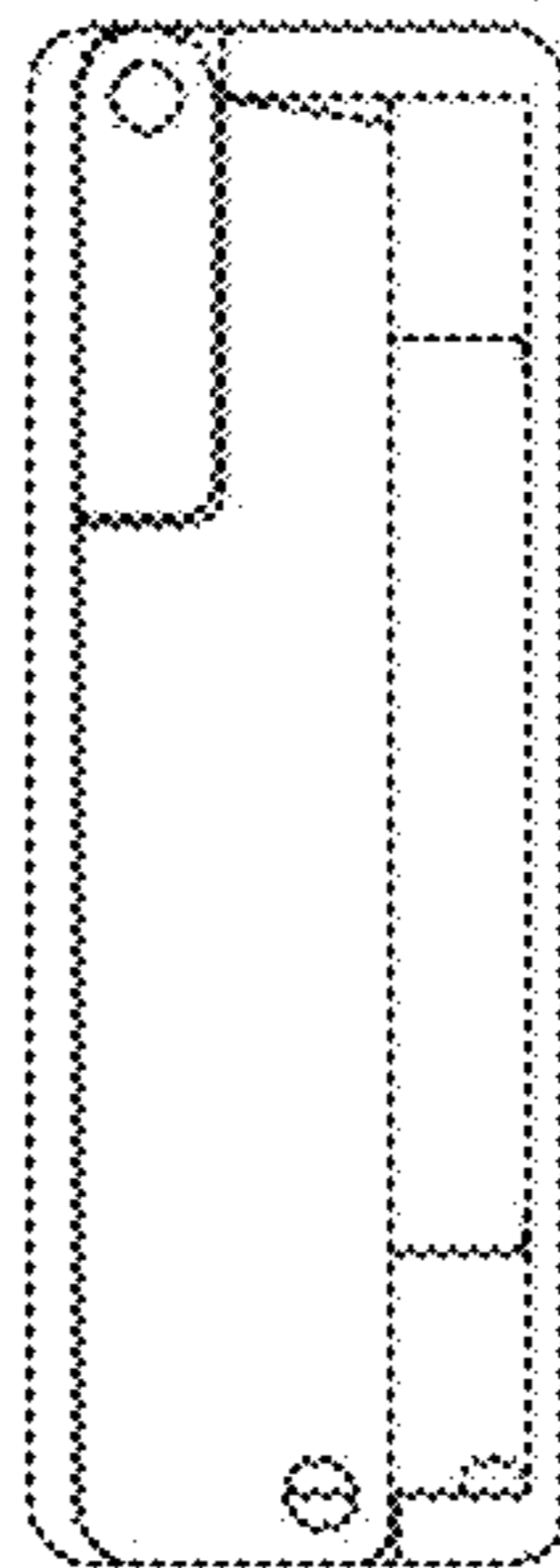
1.5



1.6



1.7



1.8

