



US00D865331S

(12) **United States Design Patent**  
**Boyle et al.**

(10) **Patent No.:** **US D865,331 S**  
(45) **Date of Patent:** **\*\* Nov. 5, 2019**

(54) **HAT**  
(71) Applicant: **ALF WEAR**, Salt Lake City, UT (US)  
(72) Inventors: **Kevin Boyle**, Salt Lake City, UT (US);  
**Holger Kuhr**, Sandy, UT (US)  
(73) Assignee: **ALF WEAR**, Salt Lake City, UT (US)  
(\*\*) Term: **15 Years**

(21) Appl. No.: **29/638,121**  
(22) Filed: **Feb. 23, 2018**  
(51) **LOC (12) Cl.** ..... **02-03**  
(52) **U.S. Cl.**  
USPC ..... **D2/879**  
(58) **Field of Classification Search**  
USPC ..... D2/865, 866, 873, 874, 879, 880, 882,  
D2/883, 884, 885, 893, 895; D29/109  
CPC .. A42B 1/00; A42B 1/008; A42B 1/06; A42B  
1/061; A42B 1/062; A42B 1/066; A42B  
1/067; A42B 1/20; A42B 1/201; A42B  
1/205; A42B 1/22  
See application file for complete search history.

(56) **References Cited**

**U.S. PATENT DOCUMENTS**

2,136,678	A	11/1938	Dym	
D117,424	S	10/1939	Everitt	
2,267,723	A	12/1941	Exl	
D314,857	S *	2/1991	Vossler	D2/888
5,664,261	A	9/1997	Lacy	
5,956,759	A	9/1999	Benedict	
D478,409	S *	8/2003	Lesley	A41D 13/01 D2/873
D593,732	S	6/2009	Tilley et al.	
D617,083	S	6/2010	Yun	
D623,831	S	9/2010	Parsons et al.	

D681,926	S	5/2013	Votel et al.	
D721,874	S *	2/2015	Robbins	D2/886
9,149,085	B2	10/2015	Bryan et al.	
D750,355	S *	3/2016	Watkins	D2/886
D768,361	S *	10/2016	Watkins	D2/886
D787,164	S *	5/2017	Arenson	D2/866
9,655,396	B1 *	5/2017	Lacy	A42B 1/206
D841,944	S *	3/2019	Lacy	D2/879

**OTHER PUBLICATIONS**

Sun Blade, [on-line]; [Wayback Machine Internet crawl-back posting date found on Mar. 25, 2018]; [retrieved from the Internet on Mar. 15, 2019]; URL: <https://web.archive.org/web/20180325001211/https://www.kuhl.com/kuhl/mens/hats/sun-blade/>. (1 pg). (Year: 2018).\*

(Continued)

*Primary Examiner* — Karen S Acker

*Assistant Examiner* — Jasmine Mlinarcik

(74) *Attorney, Agent, or Firm* — Venable LLP; Michele V. Frank

(57) **CLAIM**

The ornamental design for a hat, as shown and described.

**DESCRIPTION**

FIG. 1 is a front-left perspective view of the hat according to the claimed design;

FIG. 2 is a front view of the hat of FIG. 1;

FIG. 3 is a rear view of the hat of FIG. 1;

FIG. 4 is a right side view of the hat of FIG. 1;

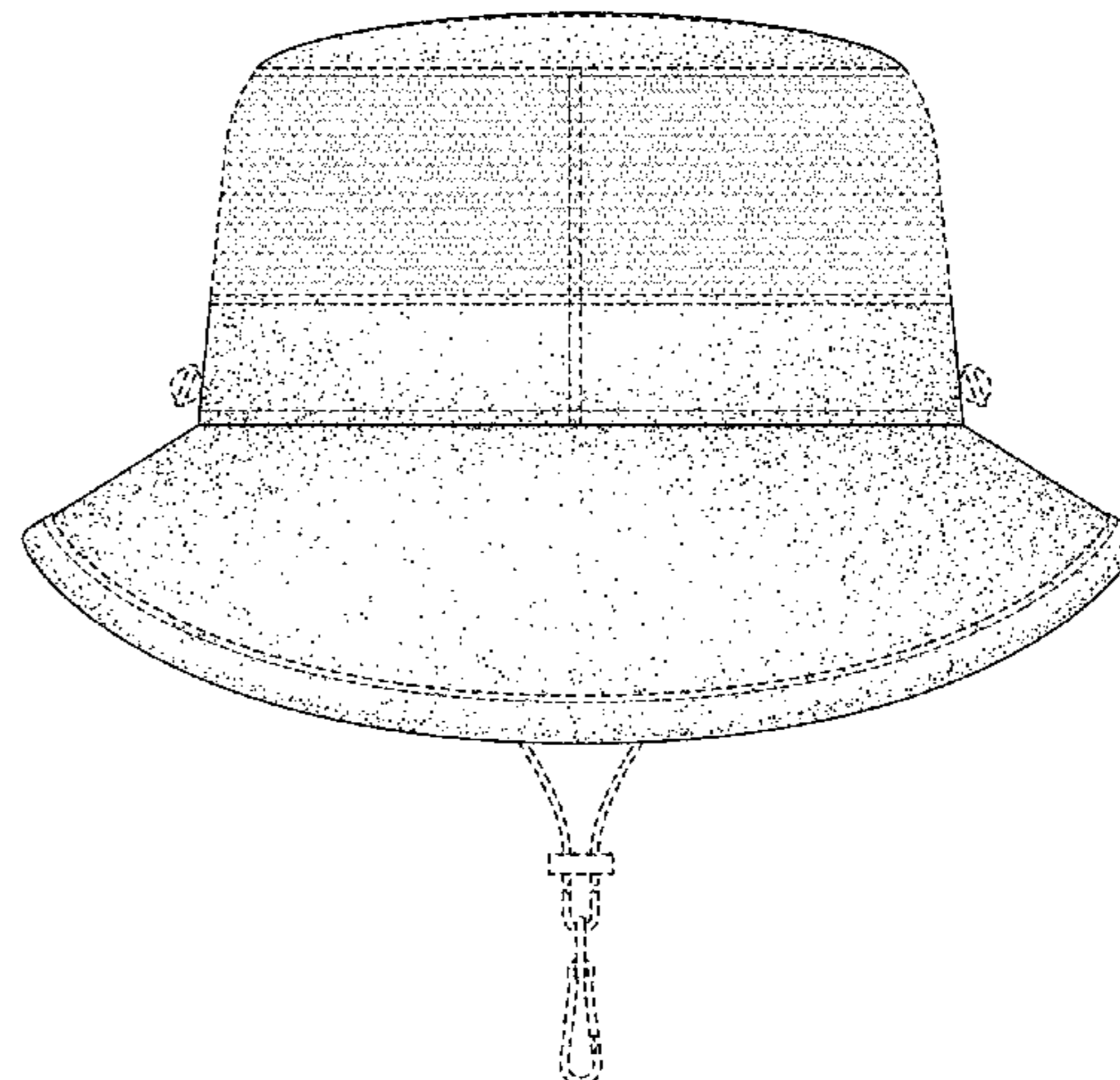
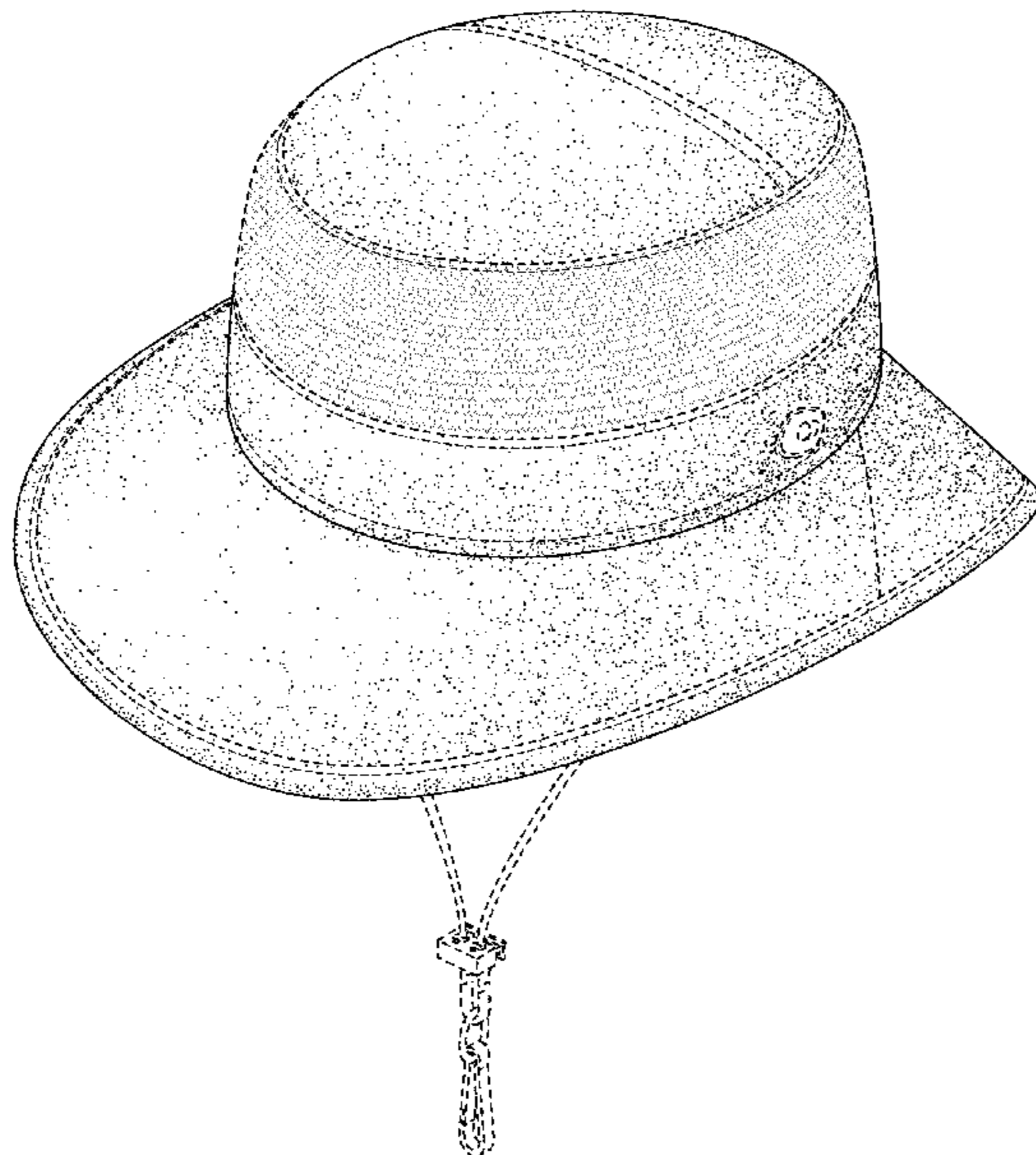
FIG. 5 is a left side view of the hat of FIG. 1;

FIG. 6 is a top view of the hat of FIG. 1; and,

FIG. 7 is a bottom view of the hat of FIG. 1.

The features shown in broken lines, including stitching, seams, and the mesh portion of the crown, depict portions of the hat which form no part of the claimed design.

**1 Claim, 7 Drawing Sheets**



(56)

**References Cited**

OTHER PUBLICATIONS

Sun Blade Hat with Mesh, [on-line]; [review published to the Internet on Jul. 1, 2018]; [retrieved from the Internet on Mar. 15, 2019]; URL: <https://www.kuhl.com/kuhl/mens/hats/sun-blade/>. (3 pgs). (Year: 2018).\*

“Stratus Sombrero—Chaos Headwear/CTR”. Retrieved on Feb. 20, 2018, from <https://chaoshats.com/collections/clearance/products/stratus-sombrero?variant=19525831815>. 2 pages.

“Sunday Afternoons Ultra Adventure Hat at REI”. Retrieved on Feb. 20, 2018, from <https://www.rei.com/product/894435/sunday-afternoons-ultra-adventure-hat>. 16 pages.

“Tropic Hats Mens Floppy Safari Hat W/Mesh & Snap Up Sides Adjustable”. Retrieved on Feb. 20, 2018, from [http://www.mammothhats.com/Tropic-Hats-Mens-Floppy-Safari-Hat-WMesh-Snap-Up-Sides-Adjustable\\_p\\_286.html](http://www.mammothhats.com/Tropic-Hats-Mens-Floppy-Safari-Hat-WMesh-Snap-Up-Sides-Adjustable_p_286.html). 4 pages.

\* cited by examiner

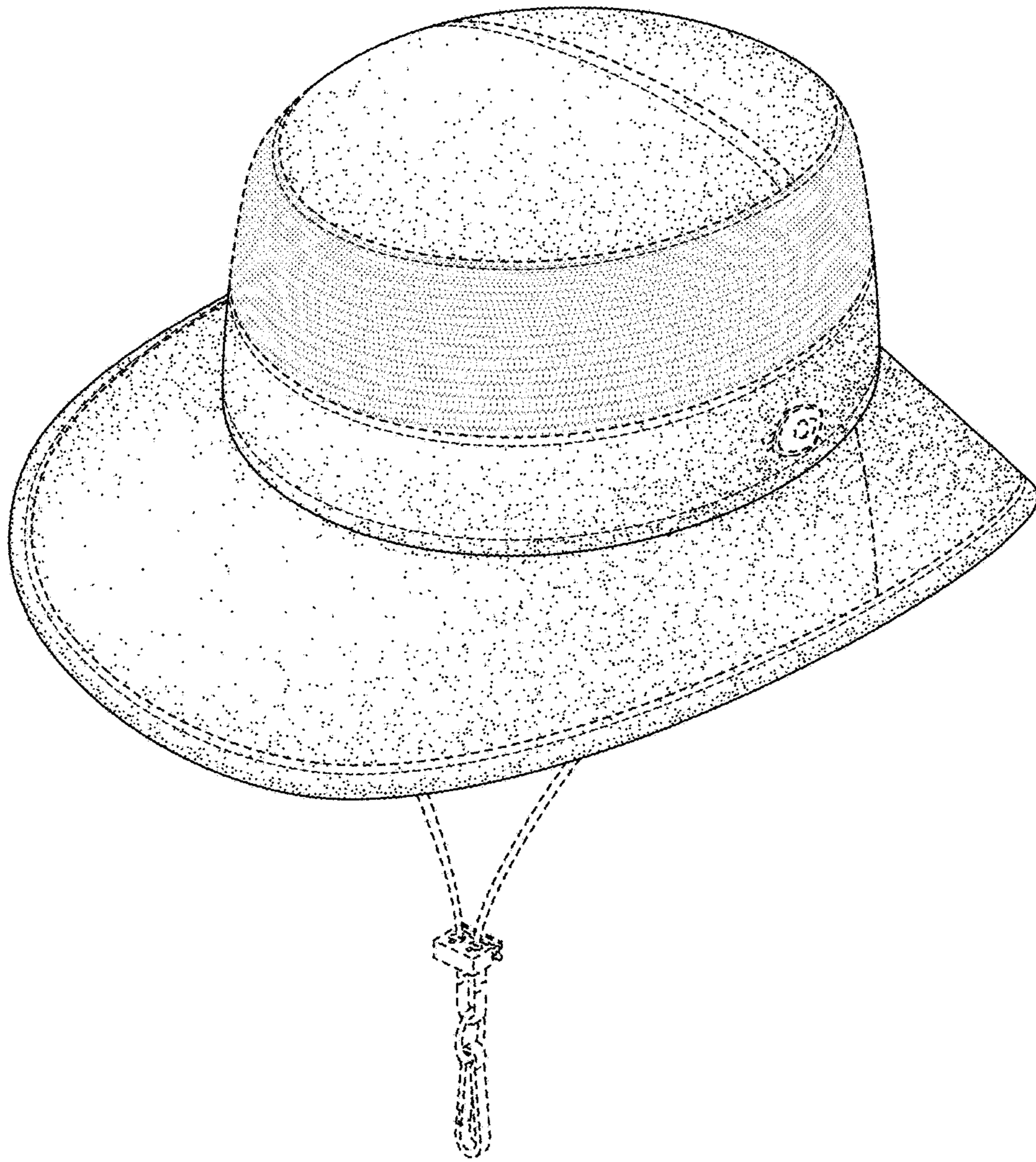


FIG. 1



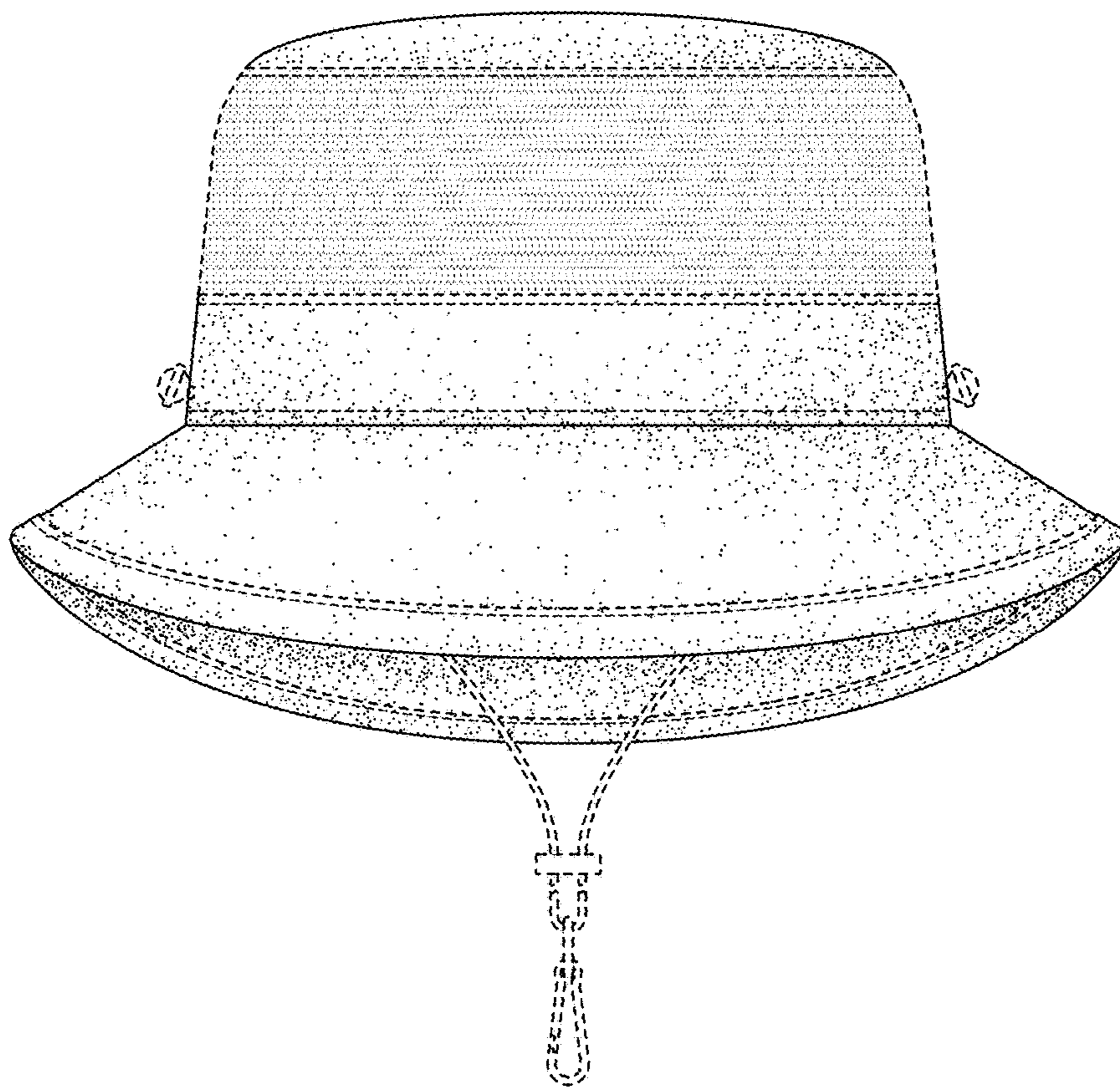


FIG. 2

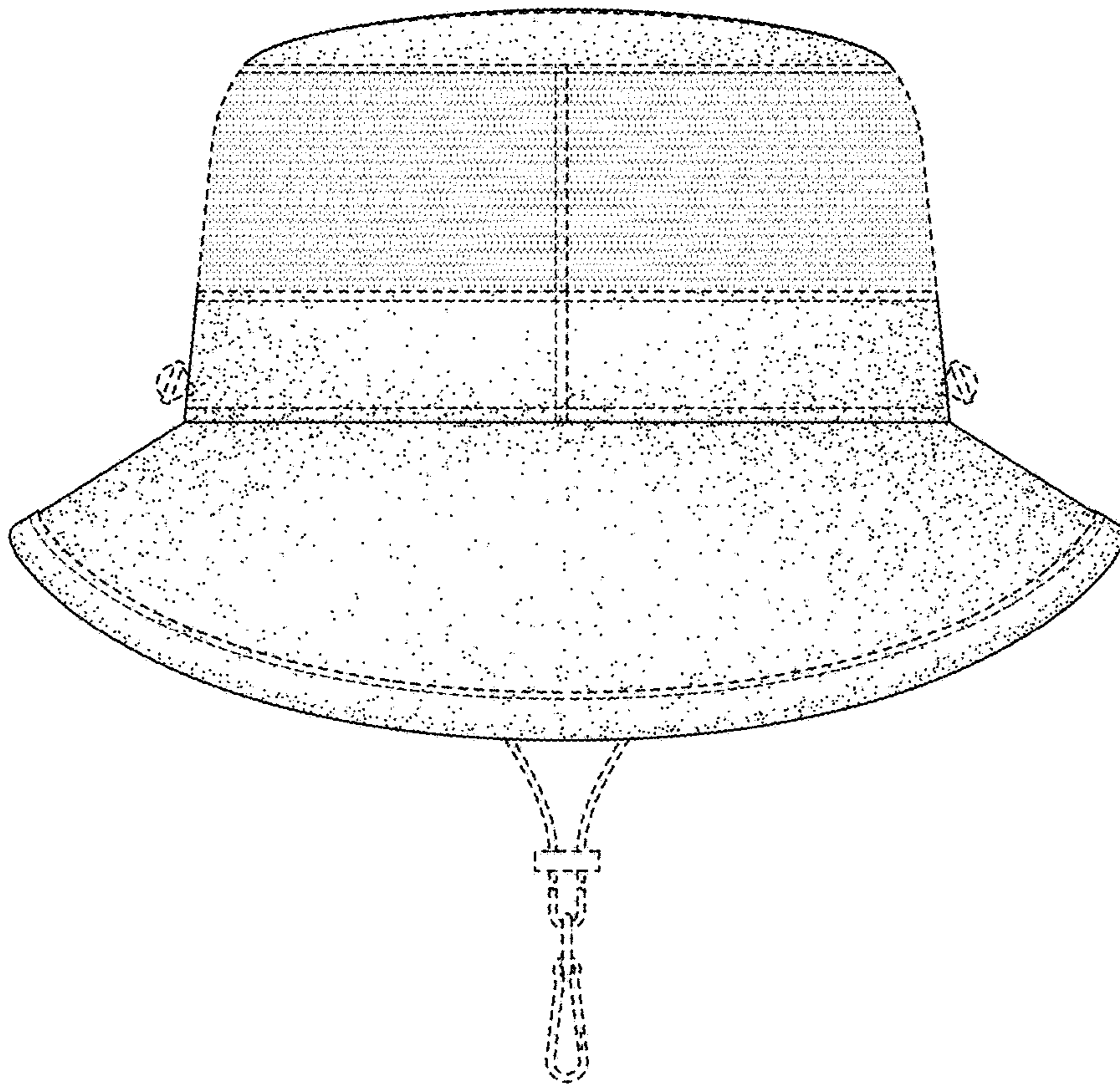


FIG. 3

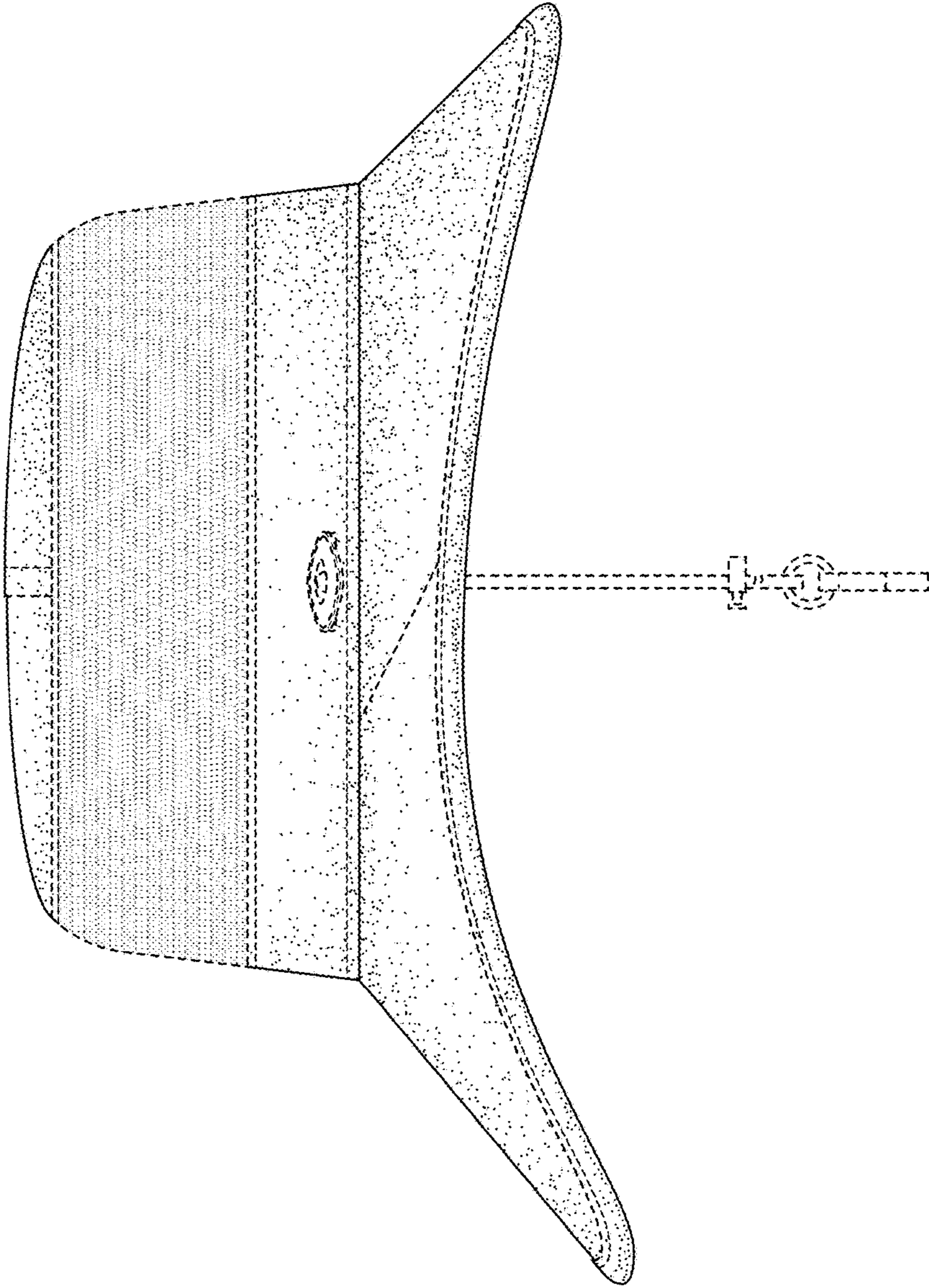


FIG. 4

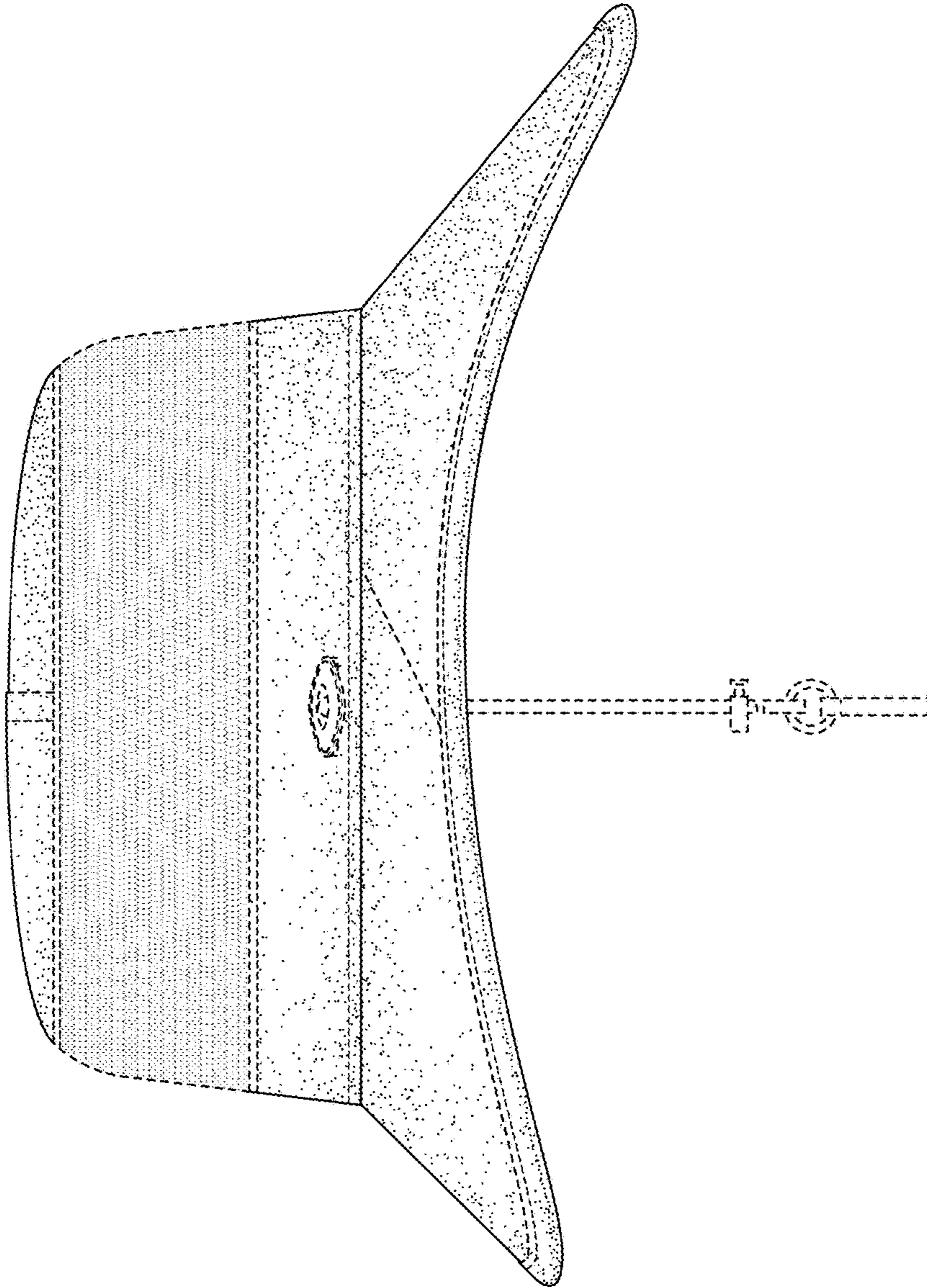


FIG. 5



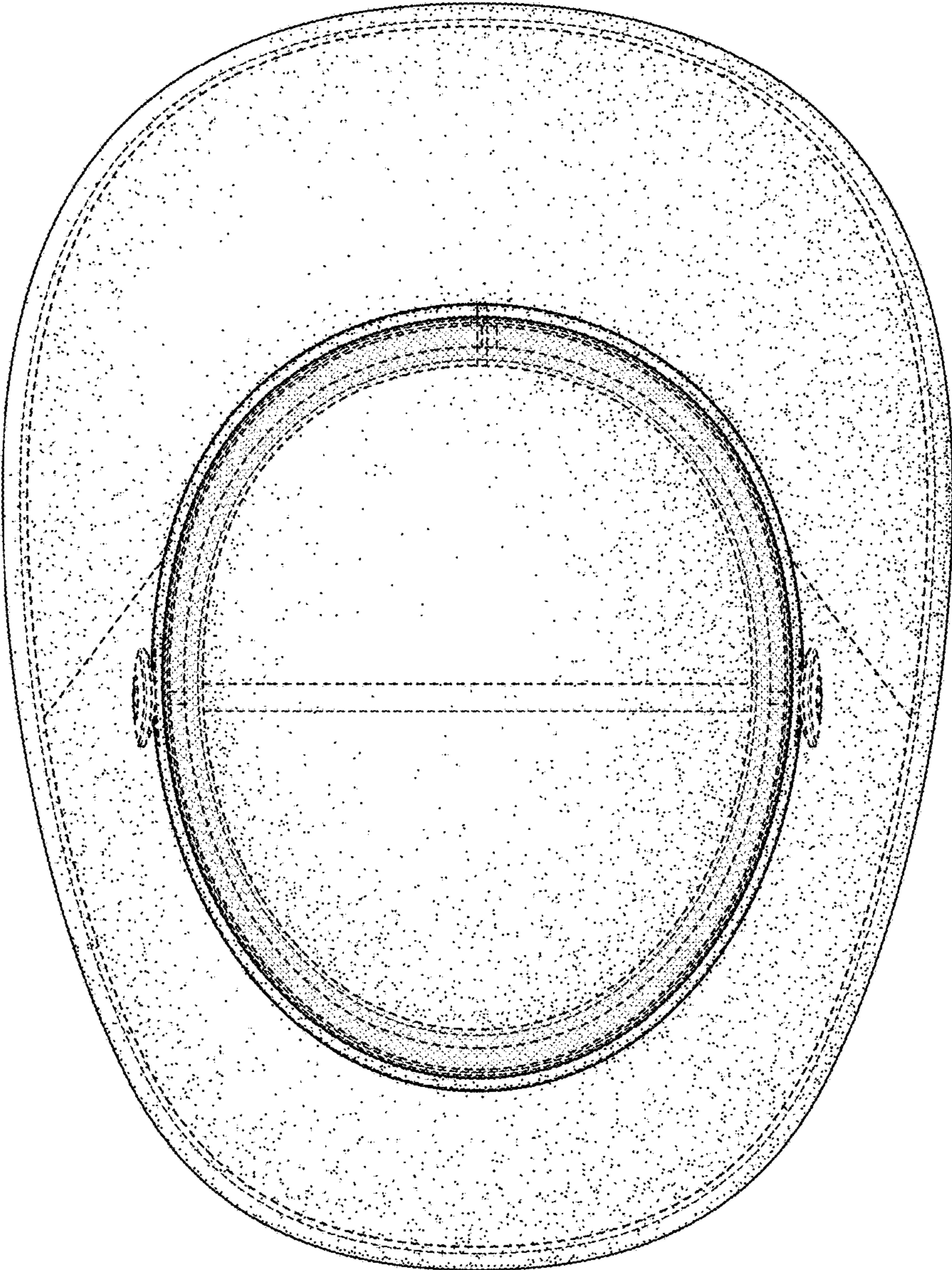


FIG. 6



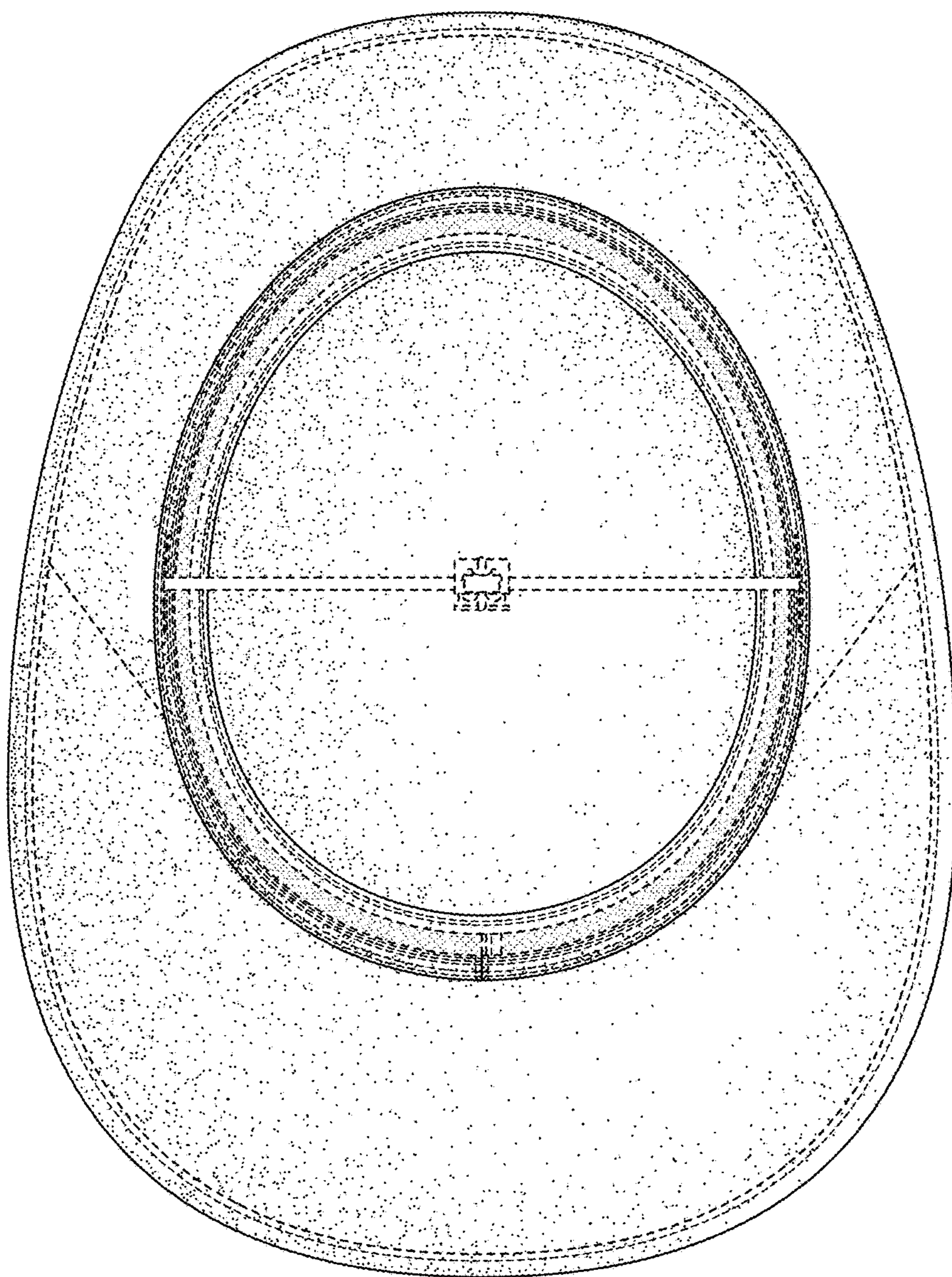


FIG. 7