



US00D865323S

(12) **United States Design Patent** (10) **Patent No.:** **US D865,323 S**
Melendez et al. (45) **Date of Patent:** **** Nov. 5, 2019**

(54) **SPORTS BRA**

(71) Applicant: **Spanx, Inc.**, Atlanta, GA (US)

(72) Inventors: **Angelica Melendez**, Atlanta, GA (US);
Chloe Wieser, Decatur, GA (US)

(73) Assignee: **SPANX, Inc.**, Atlanta, GA (US)

(**) Term: **15 Years**

(21) Appl. No.: **29/645,950**

(22) Filed: **Apr. 30, 2018**

(51) **LOC (12) Cl.** **02-01**

(52) **U.S. Cl.**
USPC **D2/706; D2/731**

(58) **Field of Classification Search**
USPC D2/706-709, 723, 793-794, 639
CPC A41C 3/00; A41C 3/0057; A41C 3/12
See application file for complete search history.

(56) **References Cited**

U.S. PATENT DOCUMENTS

D259,370 S * 6/1981 Schreiber D2/708
4,311,150 A * 1/1982 Schreiber A41C 3/0057
450/70
5,823,851 A * 10/1998 Dicker A41C 3/0057
450/2
D817,596 S * 5/2018 Hamm D2/708
D835,884 S * 12/2018 Alligood D2/708
D842,582 S * 3/2019 Rendone D2/706

D843,081 S * 3/2019 Rendone D2/706
2019/0008215 A1 * 1/2019 Delulio A41C 3/0028
2019/0037930 A1 * 2/2019 Rendone A41C 3/00

* cited by examiner

Primary Examiner — Catherine R Oliver-Garcia

Assistant Examiner — J. Thorn, Sr.

(74) *Attorney, Agent, or Firm* — Meunier Carlin & Curfman LLC

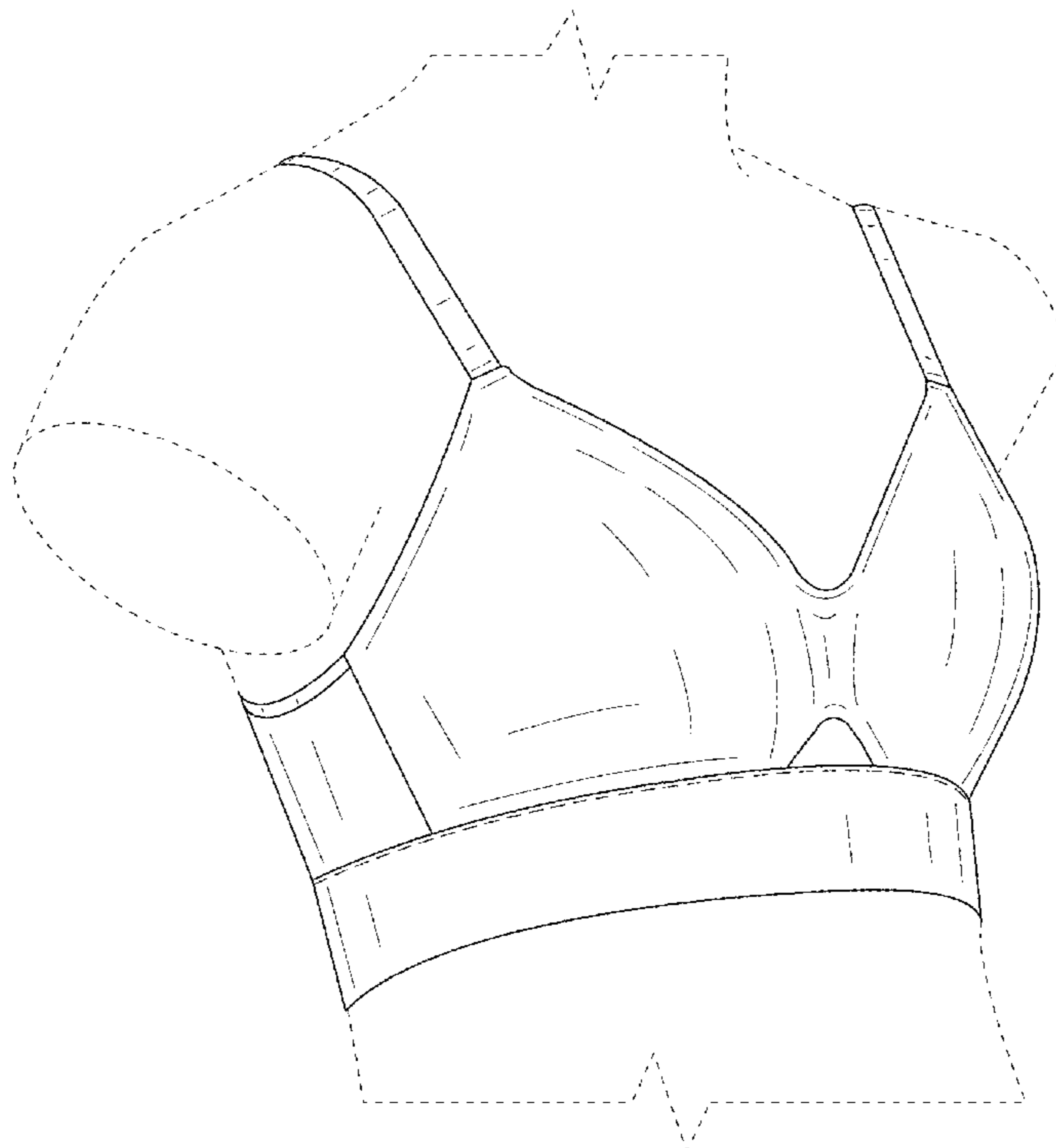
(57) **CLAIM**

The ornamental design for a sports bra, as shown and described.

DESCRIPTION

FIG. 1 is a front perspective view of our new design in use.
FIG. 2 is a front view thereof.
FIG. 3 is a rear view thereof.
FIG. 4 is a right-side view thereof.
FIG. 5 is a left-side view thereof.
FIG. 6 is a top view thereof.
FIG. 7 is a bottom view thereof; and,
FIG. 8 is a top view of our new design when not in use.
The partial human figure rendered in short broken lines in FIGS. 1-7 illustrates environmental subject matter intended to assist in showing how the design appears when in use and forms no part of the claim. The short broken lines showing elements of the sports bra in the drawings illustrate features of the article of manufacture that form no part of the claimed design. The portions of the design shown in large broken lines are stitching and form no part of the claim.

1 Claim, 8 Drawing Sheets



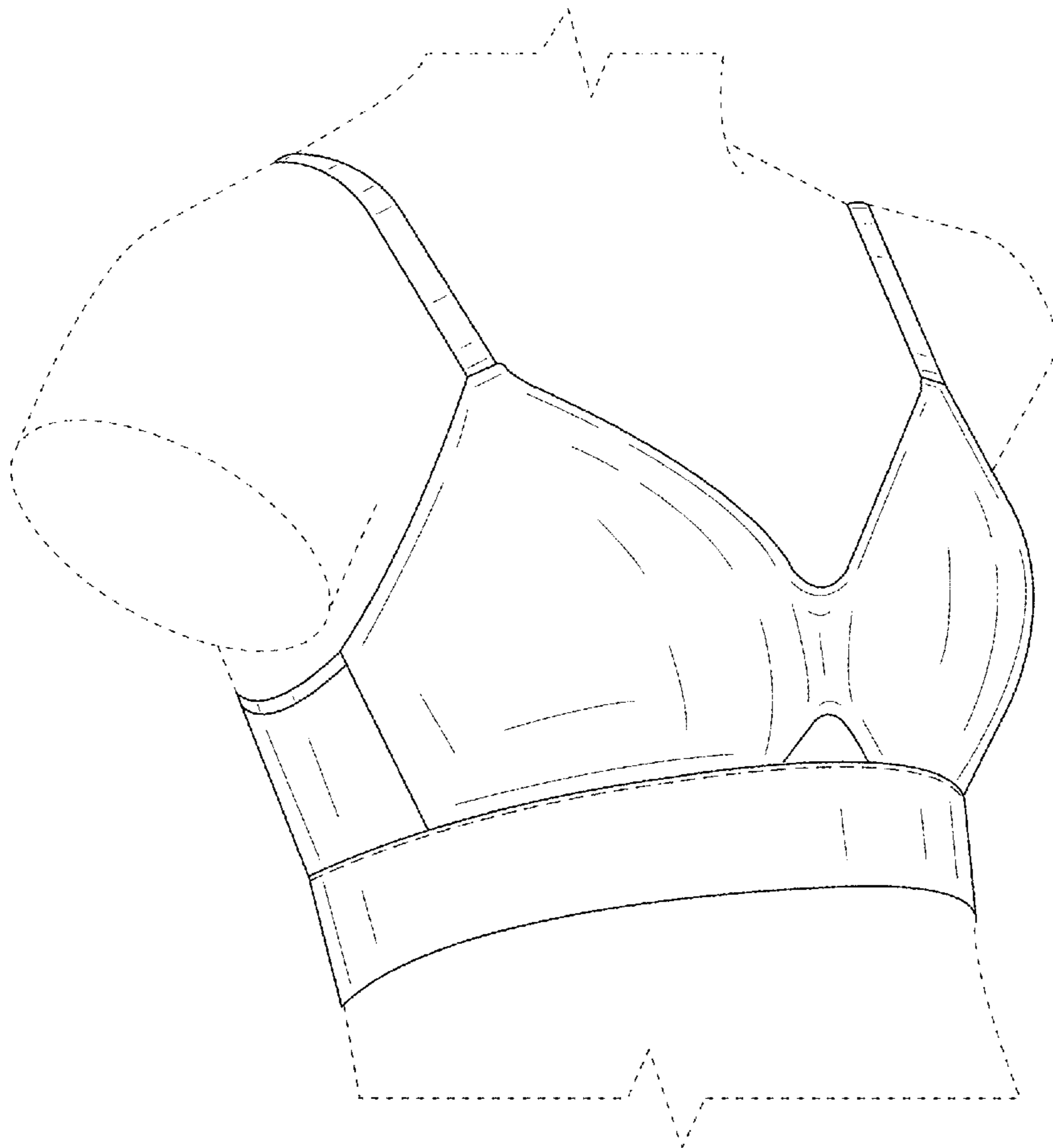


FIG. 1

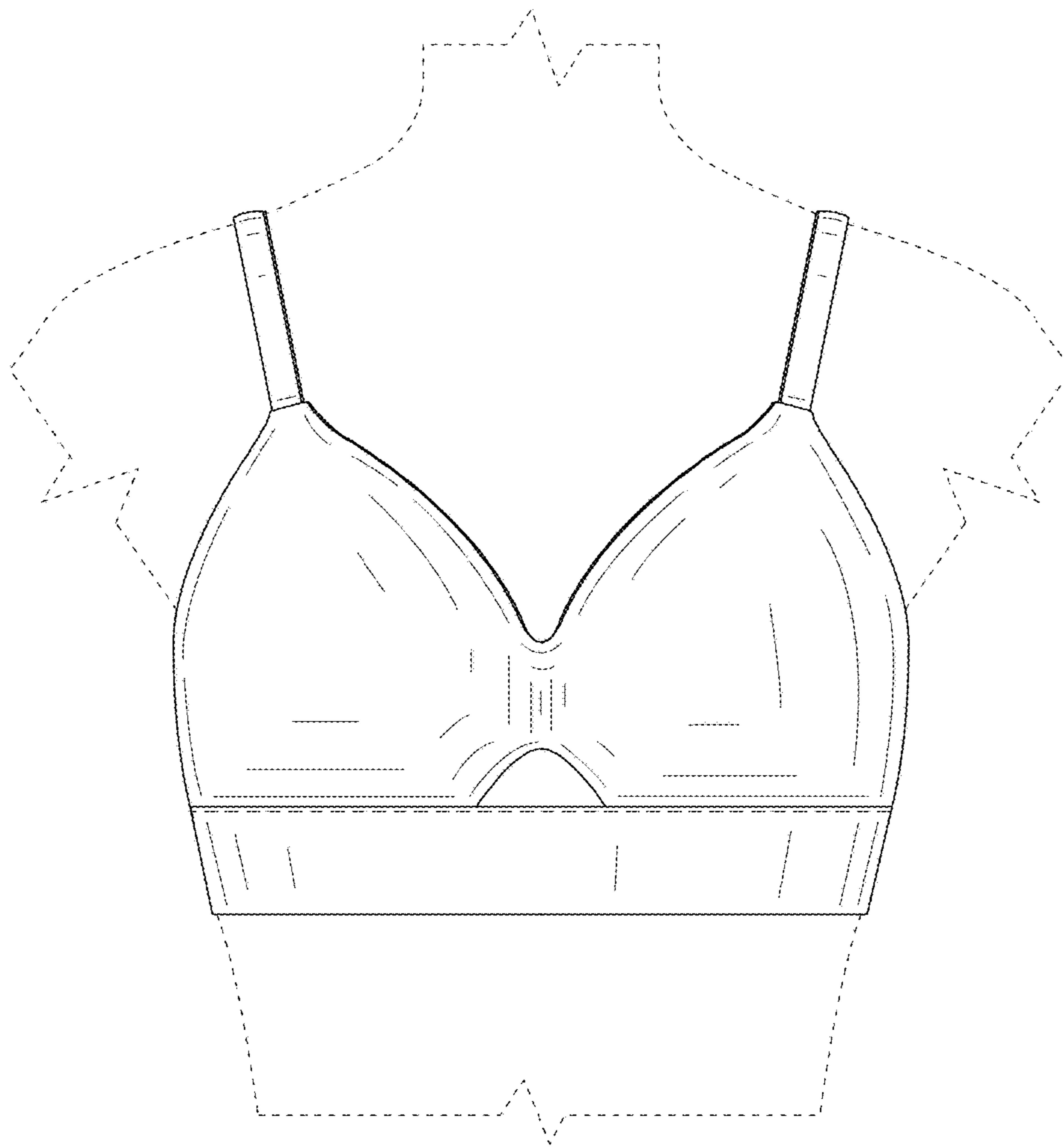


FIG. 2

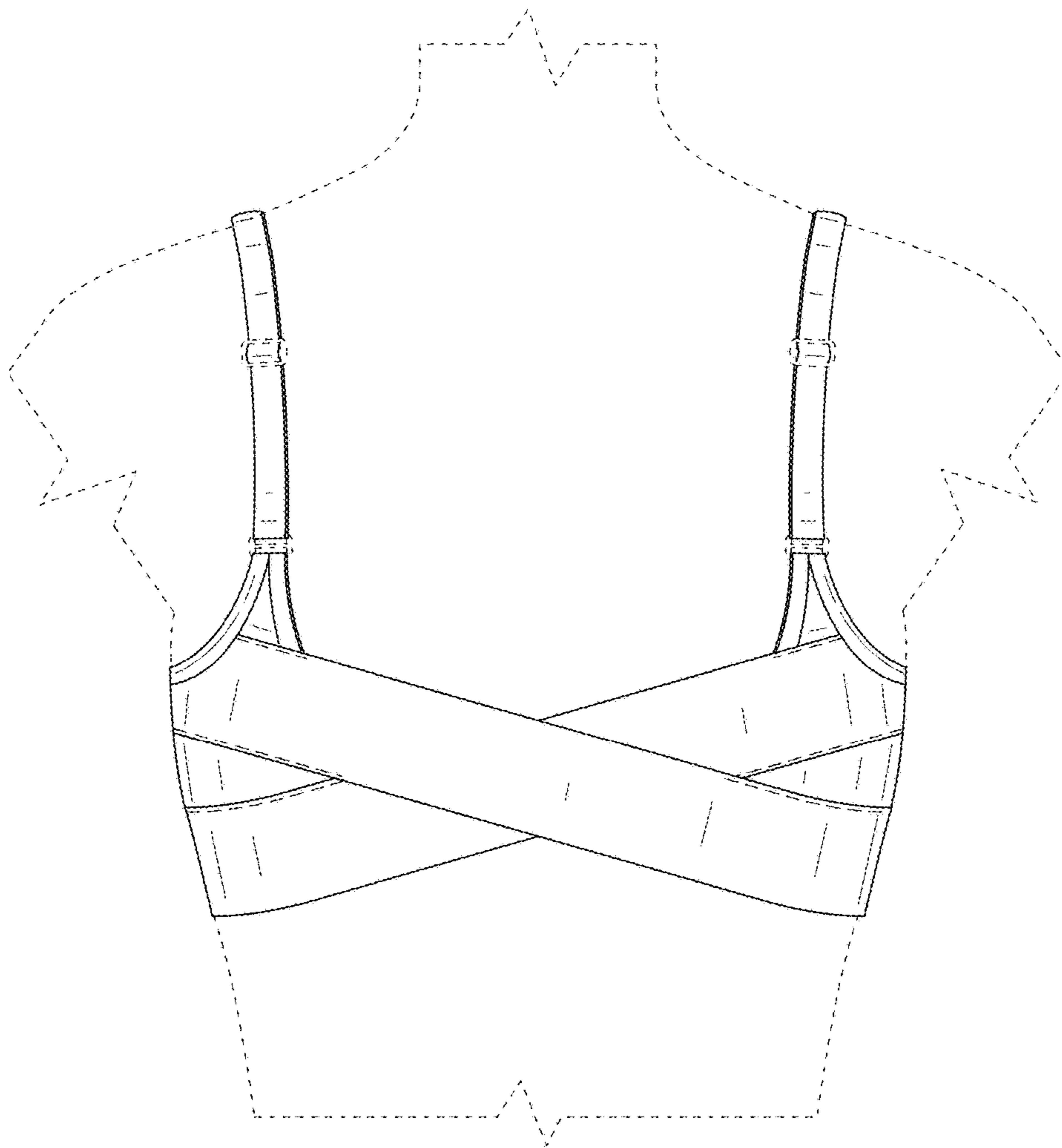


FIG. 3

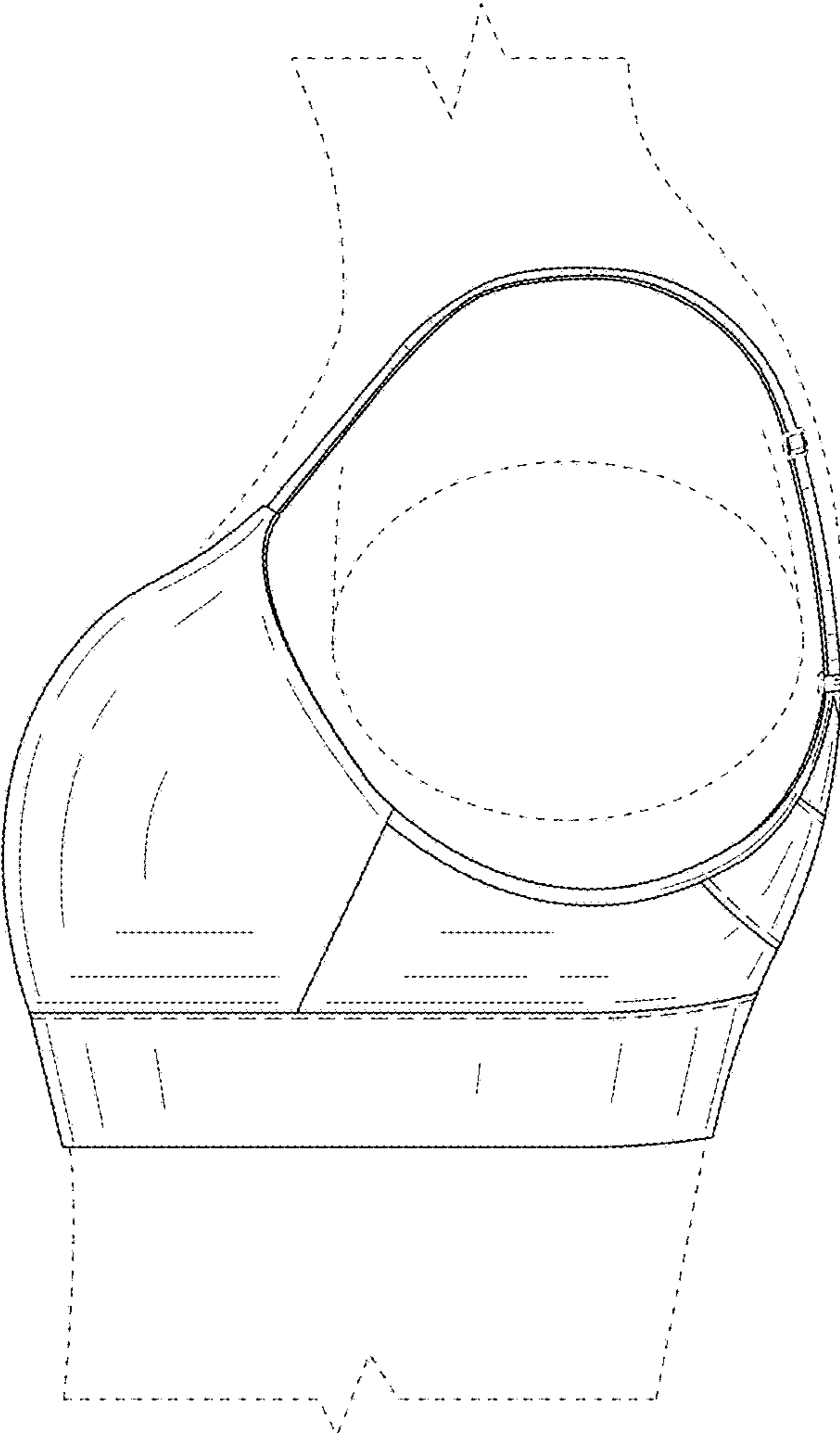


FIG. 4

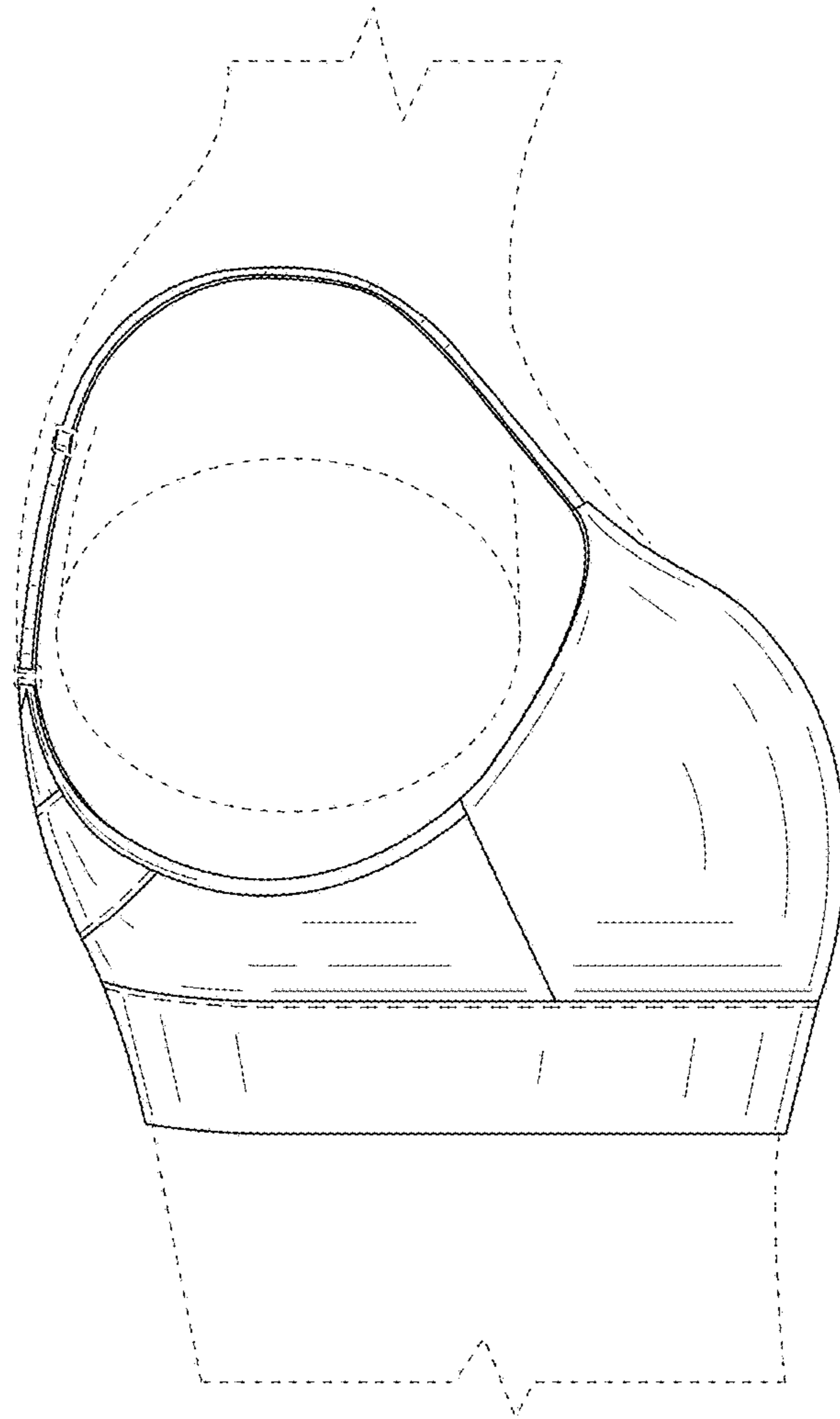


FIG. 5

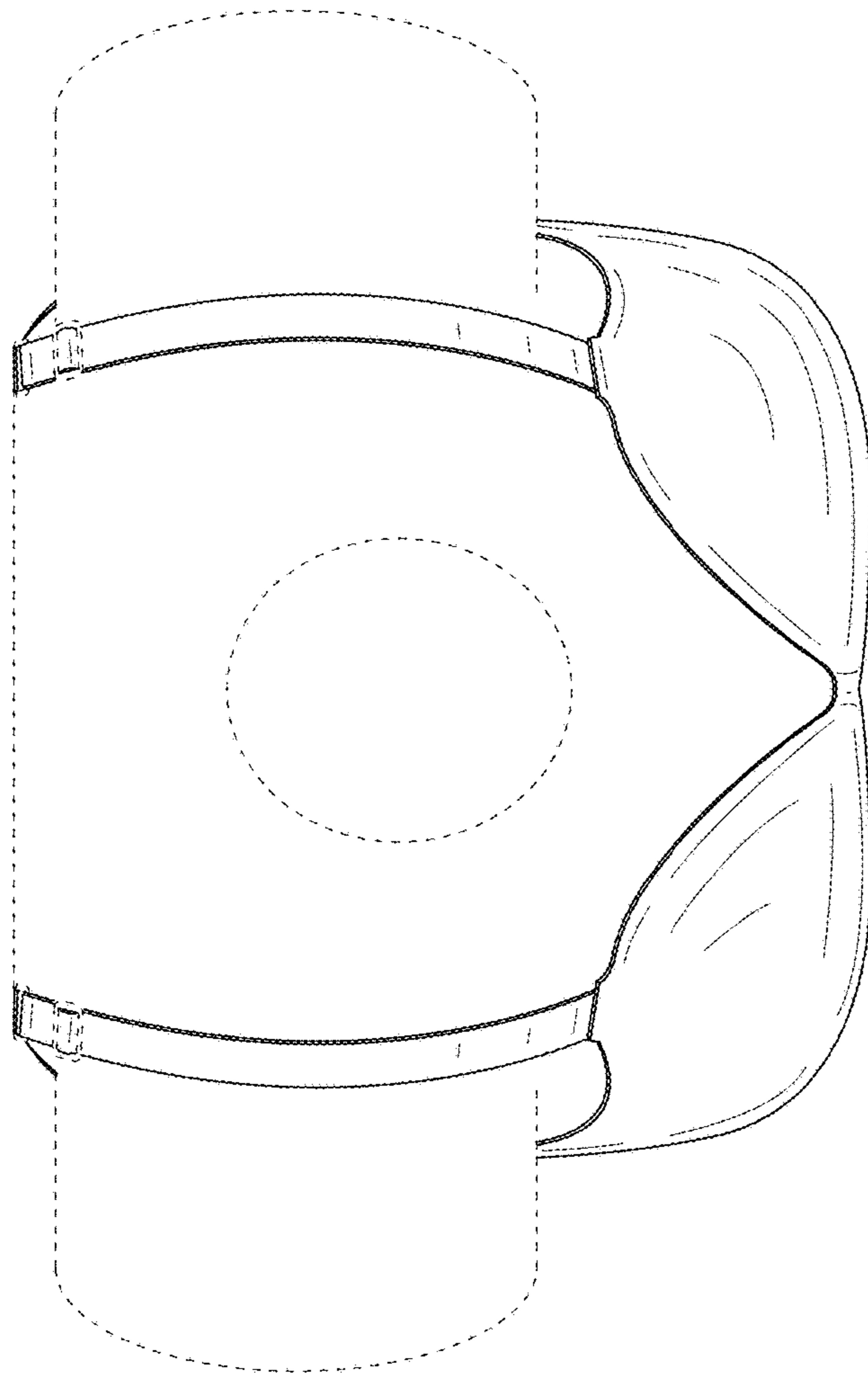


FIG. 6

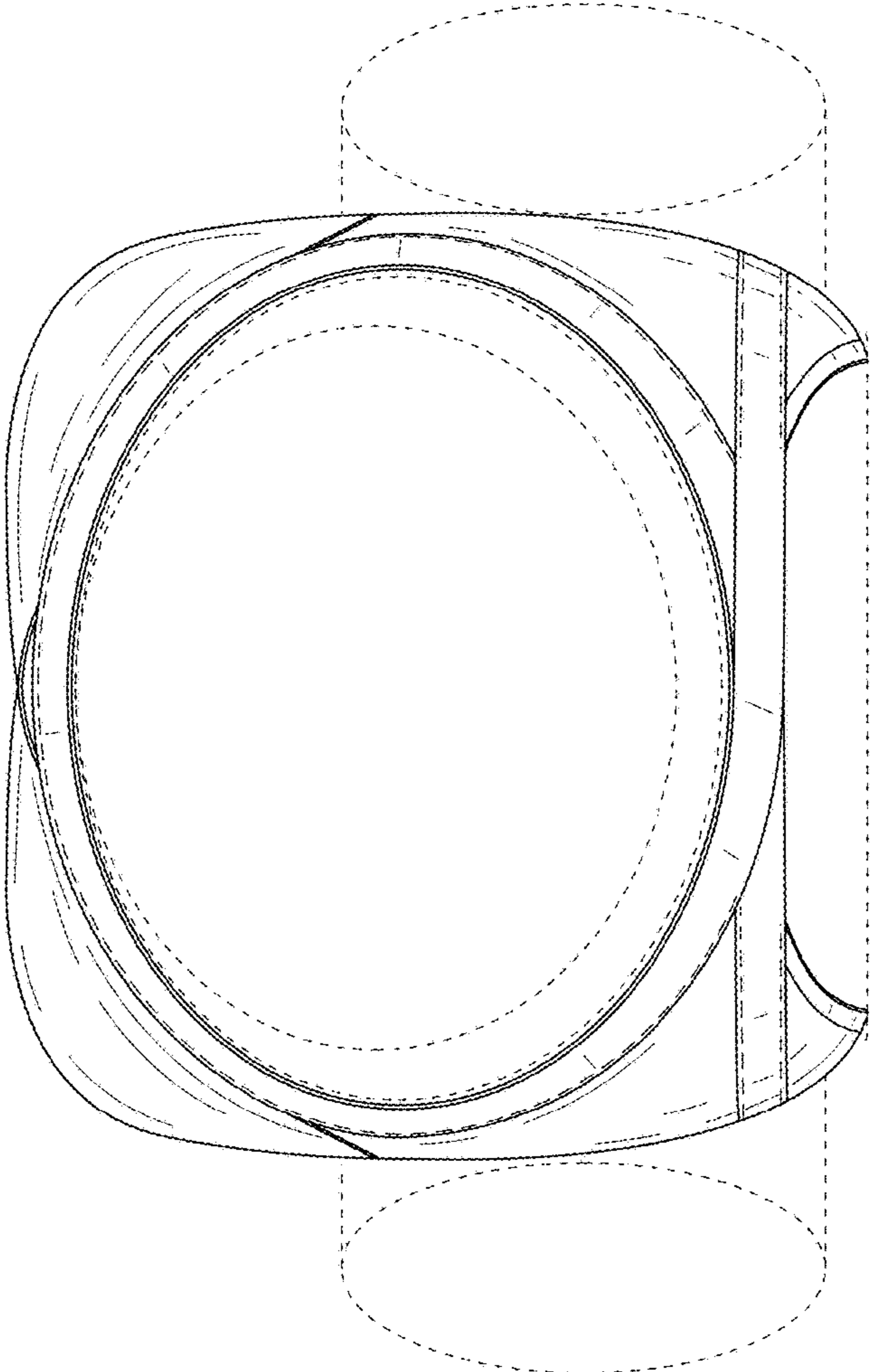


FIG. 7

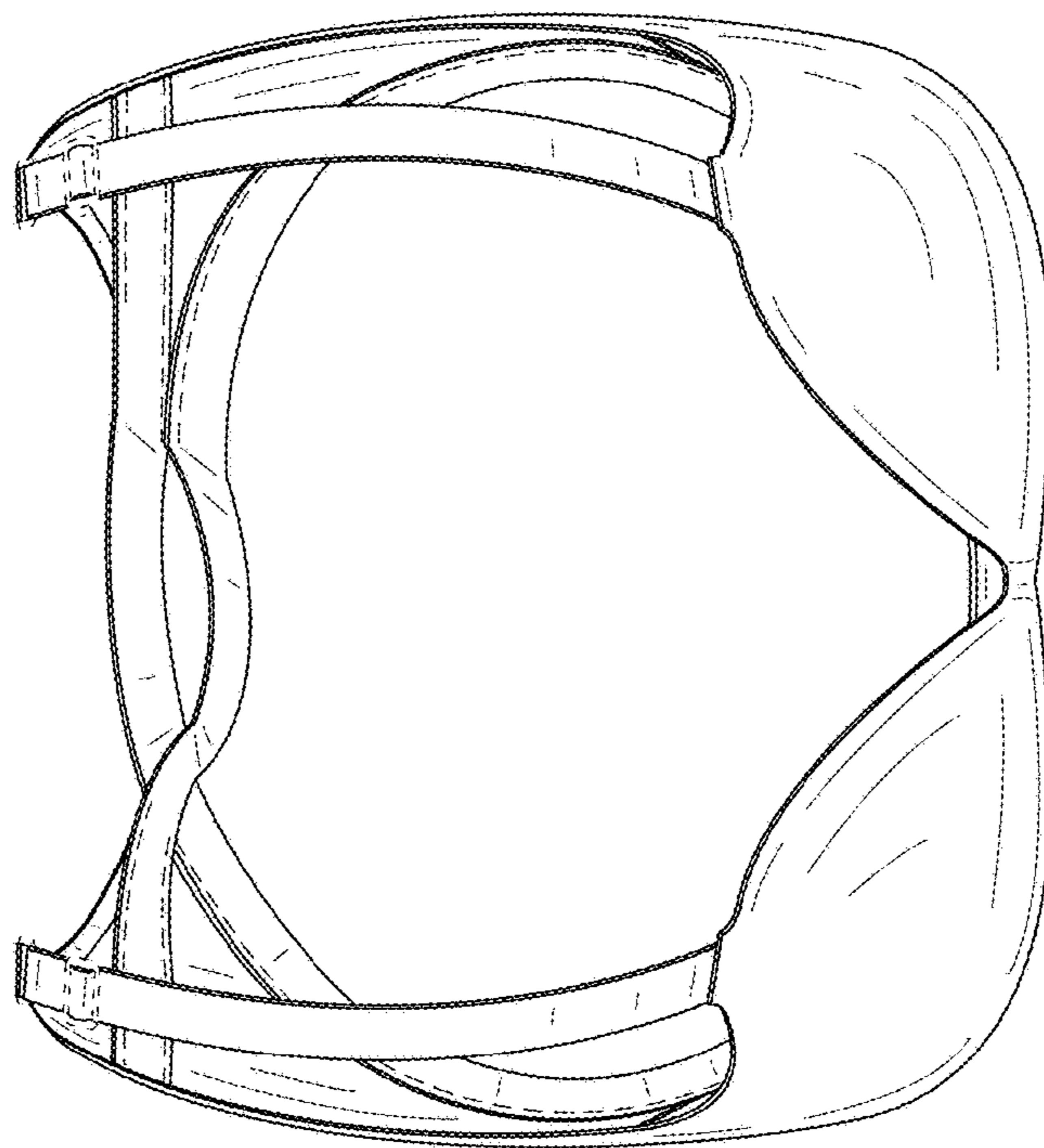


FIG. 8