



US00D865321S

(12) **United States Design Patent**  
**Edmark**

(10) **Patent No.:** **US D865,321 S**

(45) **Date of Patent:** **\*\* Nov. 5, 2019**

(54) **GARMENT ADJUSTMENT FEATURE**

(71) Applicant: **Tomima Edmark**, Dallas, TX (US)

(72) Inventor: **Tomima Edmark**, Dallas, TX (US)

(\*\*) Term: **15 Years**

(21) Appl. No.: **29/635,073**

(22) Filed: **Jan. 26, 2018**

(51) **LOC (12) Cl.** ..... **02-01**

(52) **U.S. Cl.**  
USPC ..... **D2/706**

(58) **Field of Classification Search**  
USPC ..... D2/706, 708-709, 705, 624, 639  
(Continued)

(56) **References Cited**

U.S. PATENT DOCUMENTS

2,340,332 A \* 2/1944 Laffoon ..... A41C 3/00  
450/72

D162,692 S \* 3/1951 Rosenthal ..... D2/708  
(Continued)

*Primary Examiner* — Catherine R Oliver-Garcia

*Assistant Examiner* — J. Thorn, Sr.

(74) *Attorney, Agent, or Firm* — Braxton Perrone, PLLC

(57) **CLAIM**

The ornamental design for a garment adjustment feature, as shown and described.

**DESCRIPTION**

FIG. 1 is a front elevation view of a garment adjustment feature of the present design, shown in the unfixed position;  
FIG. 2 is a rear elevation view thereof;  
FIG. 3 is a top plan view thereof;  
FIG. 4 is a bottom plan view thereof;  
FIG. 5 is a rear elevation view thereof, shown being worn in the fixed position;

FIG. 6 is a rear perspective thereof, shown being worn in the fixed position;

FIG. 7 is a front elevation view of a garment adjustment feature showing a second embodiment, displayed in the fixed position;

FIG. 8 is a rear elevation view thereof;

FIG. 9 is a top plan view thereof;

FIG. 10 is a bottom plan view thereof;

FIG. 11 is a rear elevation view thereof, shown being worn; FIG. 12 is a front perspective view thereof, shown being worn;

FIG. 13 is a front elevation view of a garment adjustment feature showing a third embodiment, displayed in the fixed form;

FIG. 14 is a rear elevation view thereof;

FIG. 15 is a top plan view thereof;

FIG. 16 is a bottom plan view thereof;

FIG. 17 is a rear elevation view thereof, shown being worn;

FIG. 18 is front perspective view thereof, shown being worn;

FIG. 19 is a front elevation view of a garment adjustment feature showing a fourth embodiment, shown in the unfixed form;

FIG. 20 is a rear elevation view thereof;

FIG. 21 is a top plan view thereof;

FIG. 22 is a bottom plan view thereof;

FIG. 23 is a rear elevation view thereof, shown being worn in the fixed position;

FIG. 24 is a front perspective view thereof, shown being worn in the fixed position;

FIG. 25 is a front elevation view of a garment adjustment feature showing a fifth embodiment shown in the unfixed position;

FIG. 26 is a rear elevation view thereof;

FIG. 27 is a top plan view thereof;

FIG. 28 is a bottom plan view thereof;

FIG. 29 is a rear elevation view thereof, shown being worn in the fixed position;

FIG. 30 is a rear perspective view thereof, shown being worn;

FIG. 31 is a front elevation view of a garment adjustment feature showing a sixth embodiment, displayed in the fixed position;

(Continued)

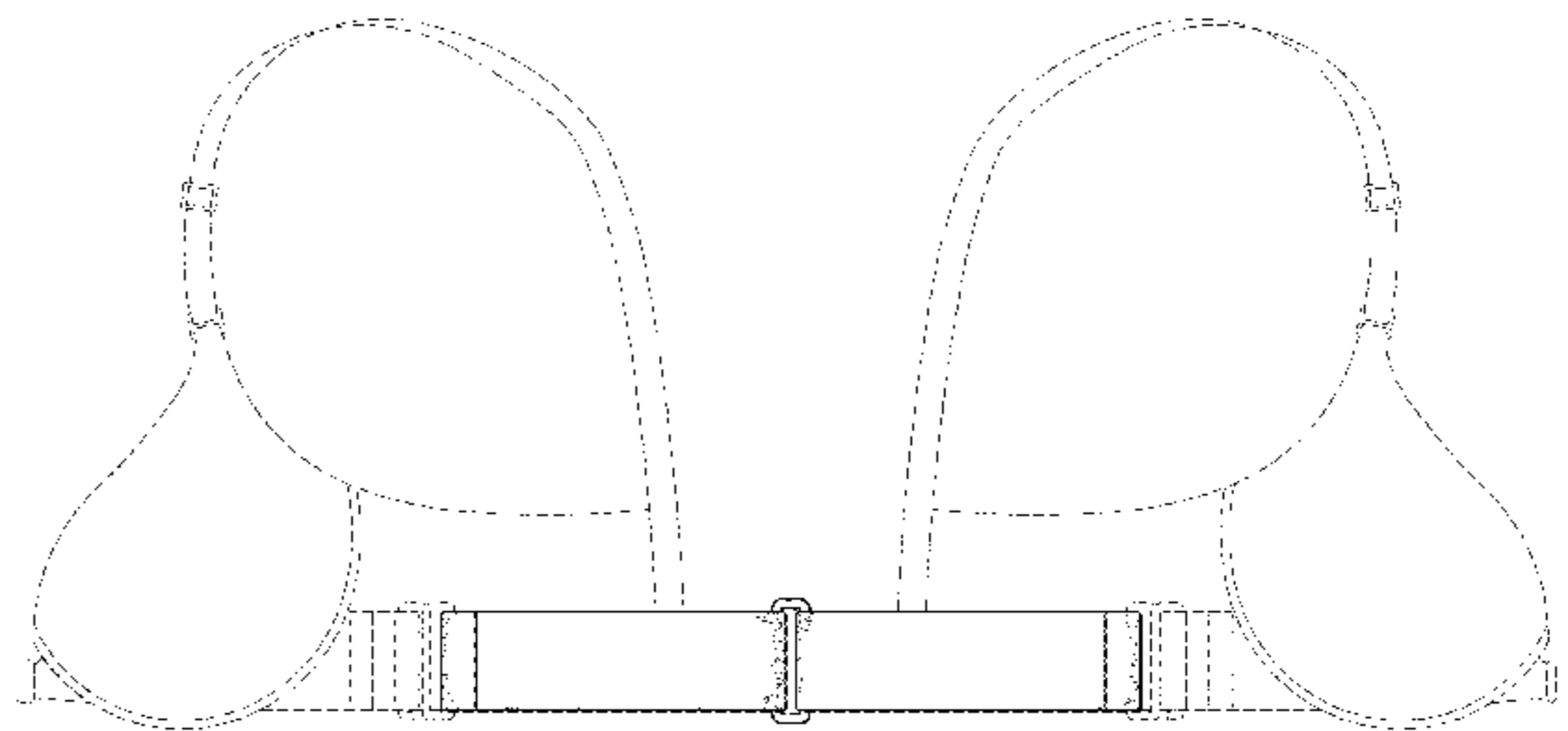
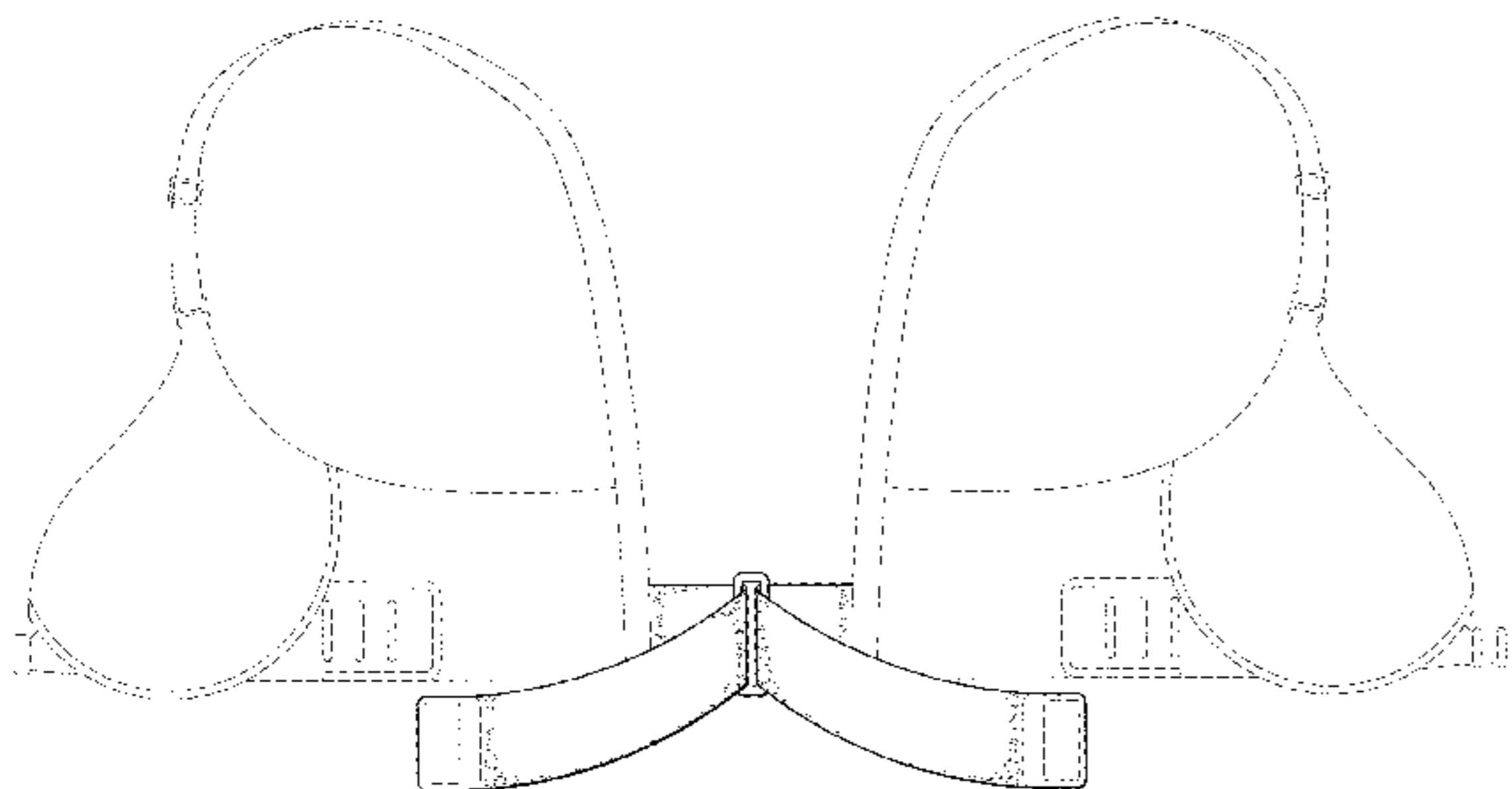


FIG. 32 is a rear elevation view thereof;  
 FIG. 33 is a top plan view thereof;  
 FIG. 34 is a bottom plan view thereof;  
 FIG. 35 is a rear elevation view thereof, shown being worn;  
 FIG. 36 is a front perspective view thereof, shown being worn;  
 FIG. 37 is a front elevation view of a garment adjustment feature showing a seventh embodiment, displayed in the fixed position;  
 FIG. 38 is a rear elevation view thereof;  
 FIG. 39 is a top plan view thereof;  
 FIG. 40 is a bottom plan view thereof;  
 FIG. 41 is a rear elevation view thereof, shown being worn;  
 FIG. 42 is a front perspective view thereof, shown being worn;  
 FIG. 43 is a front elevation view of a garment adjustment feature showing an eighth embodiment, shown in the unfixed position;  
 FIG. 44 is a rear elevation view thereof;  
 FIG. 45 is a top plan view thereof;  
 FIG. 46 is a bottom plan view thereof;  
 FIG. 47 is a rear elevation view thereof, shown being worn;  
 and,  
 FIG. 48 is a front perspective view thereof, shown being worn.

The broken lines shown in the drawings are included for the purpose of illustrating environmental structure and form no part of the claimed design.

**1 Claim, 40 Drawing Sheets**

(58) **Field of Classification Search**  
 CPC ..... A41C 3/0028; A41C 3/00; A41C 3/06;  
 A41C 3/12; A41F 1/006  
 See application file for complete search history.

(56) **References Cited**

U.S. PATENT DOCUMENTS

D168,980	S *	3/1953	Whitman	.....	D2/708
D202,267	S *	9/1965	Maas	.....	D2/708
9,961,944	B2 *	5/2018	Fayad	.....	A41C 3/0028
D821,701	S *	7/2018	Rendone	.....	D2/708
2003/0003844	A1 *	1/2003	Jones	.....	A41C 3/00 450/88
2009/0258572	A1 *	10/2009	Chayo	.....	A41C 3/0028 450/39
2018/0235288	A1 *	8/2018	Samson	.....	A41C 3/124
2019/0008215	A1 *	1/2019	Delulio	.....	A41C 3/0028
2019/0037930	A1 *	2/2019	Rendone	.....	A41C 3/00
2019/0082748	A1 *	3/2019	Mazourik	.....	A41C 3/10

\* cited by examiner

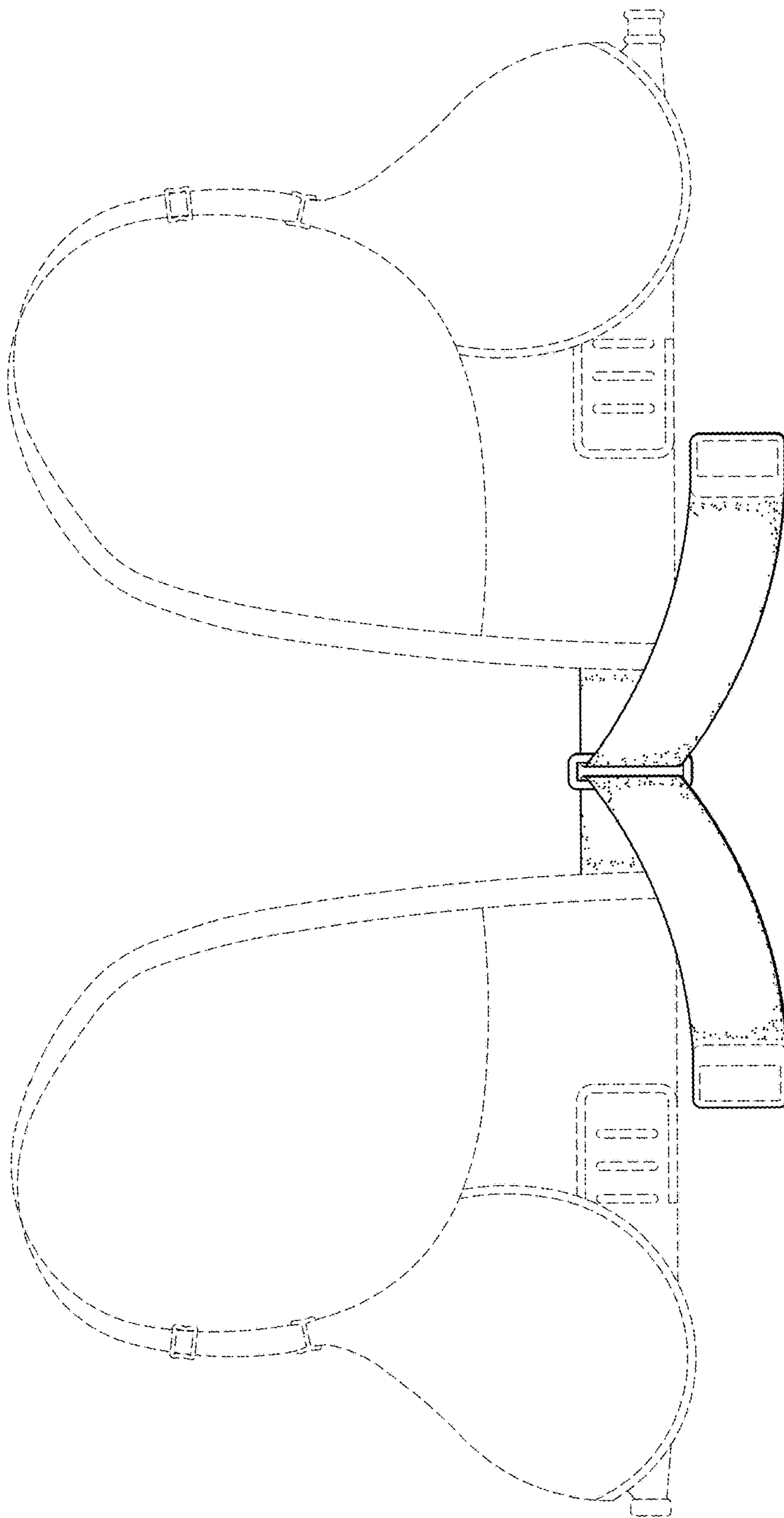


FIG. 1

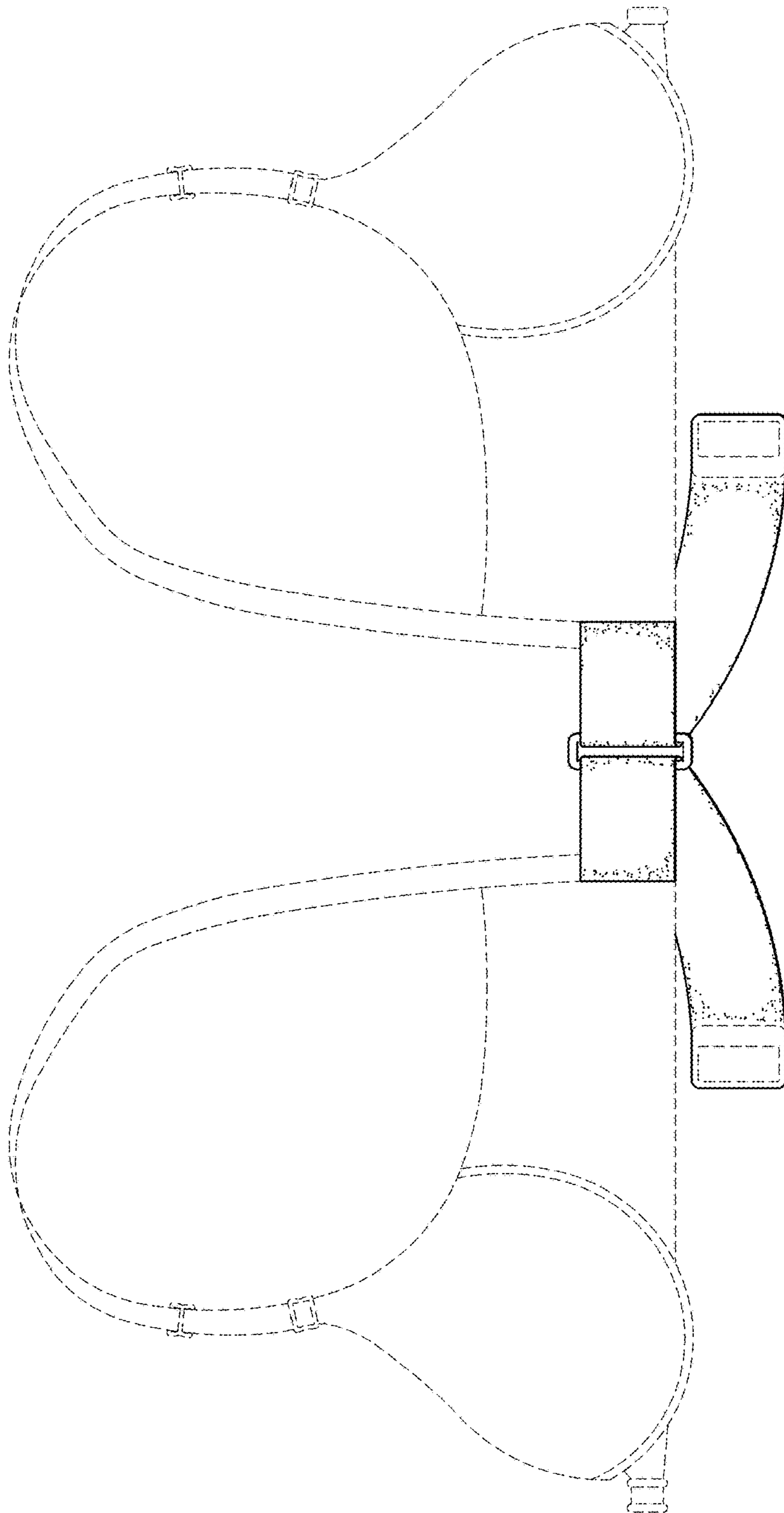
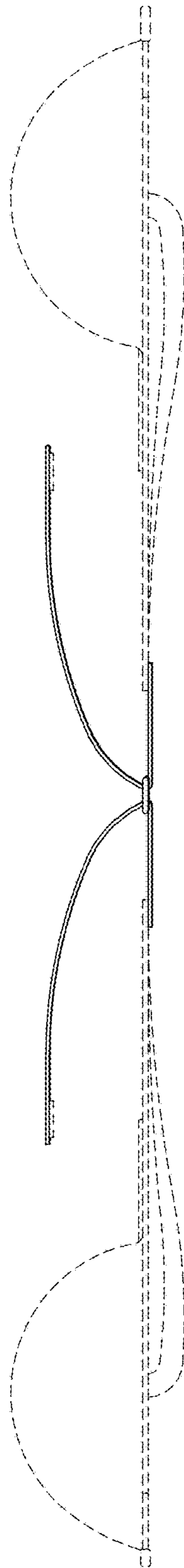
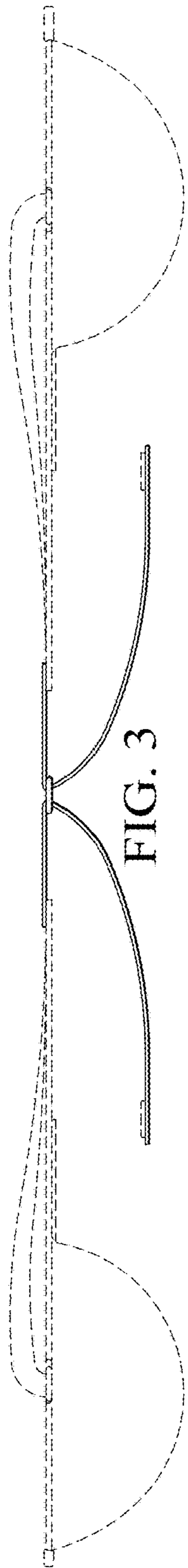


FIG. 2



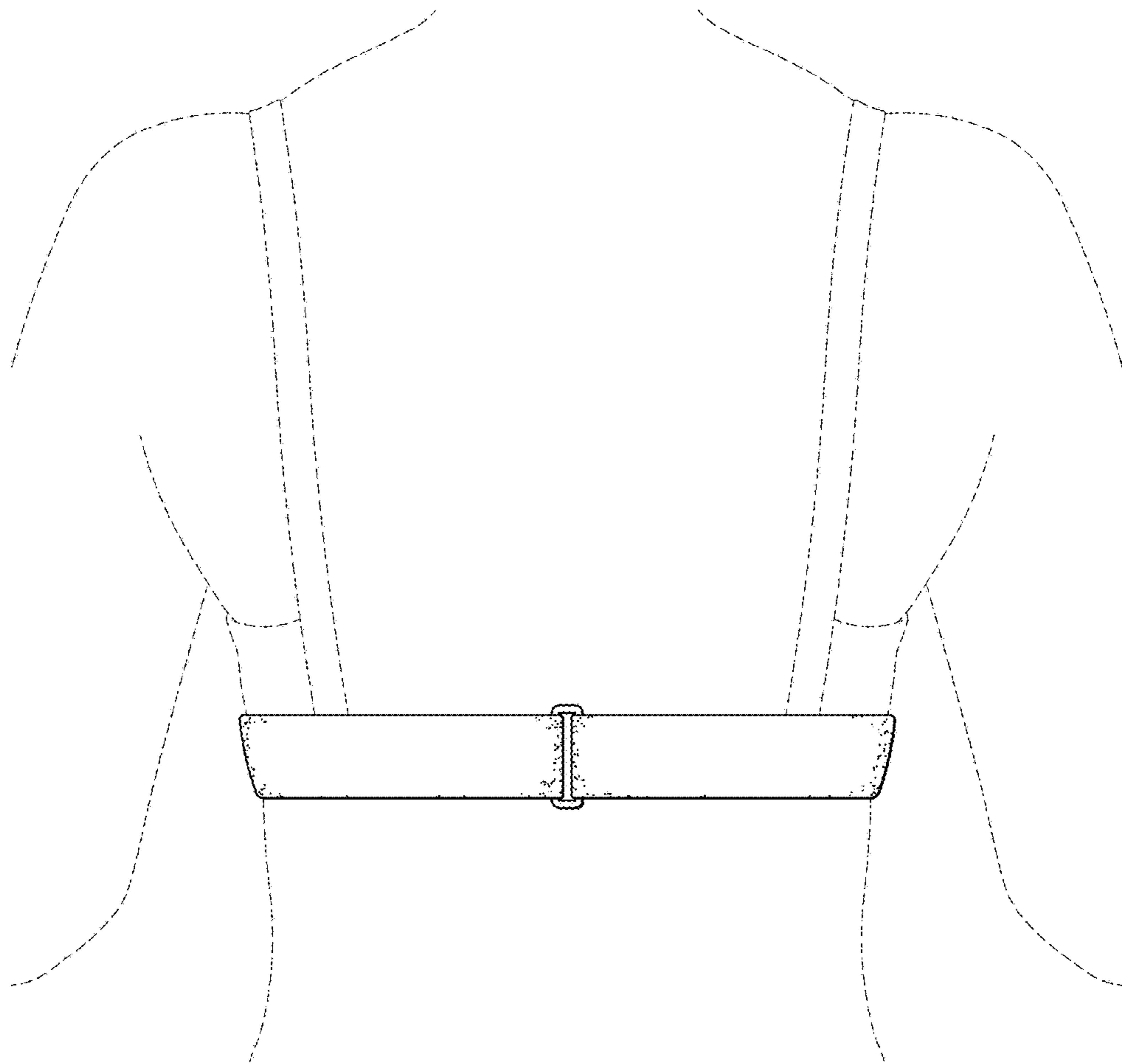


FIG. 5

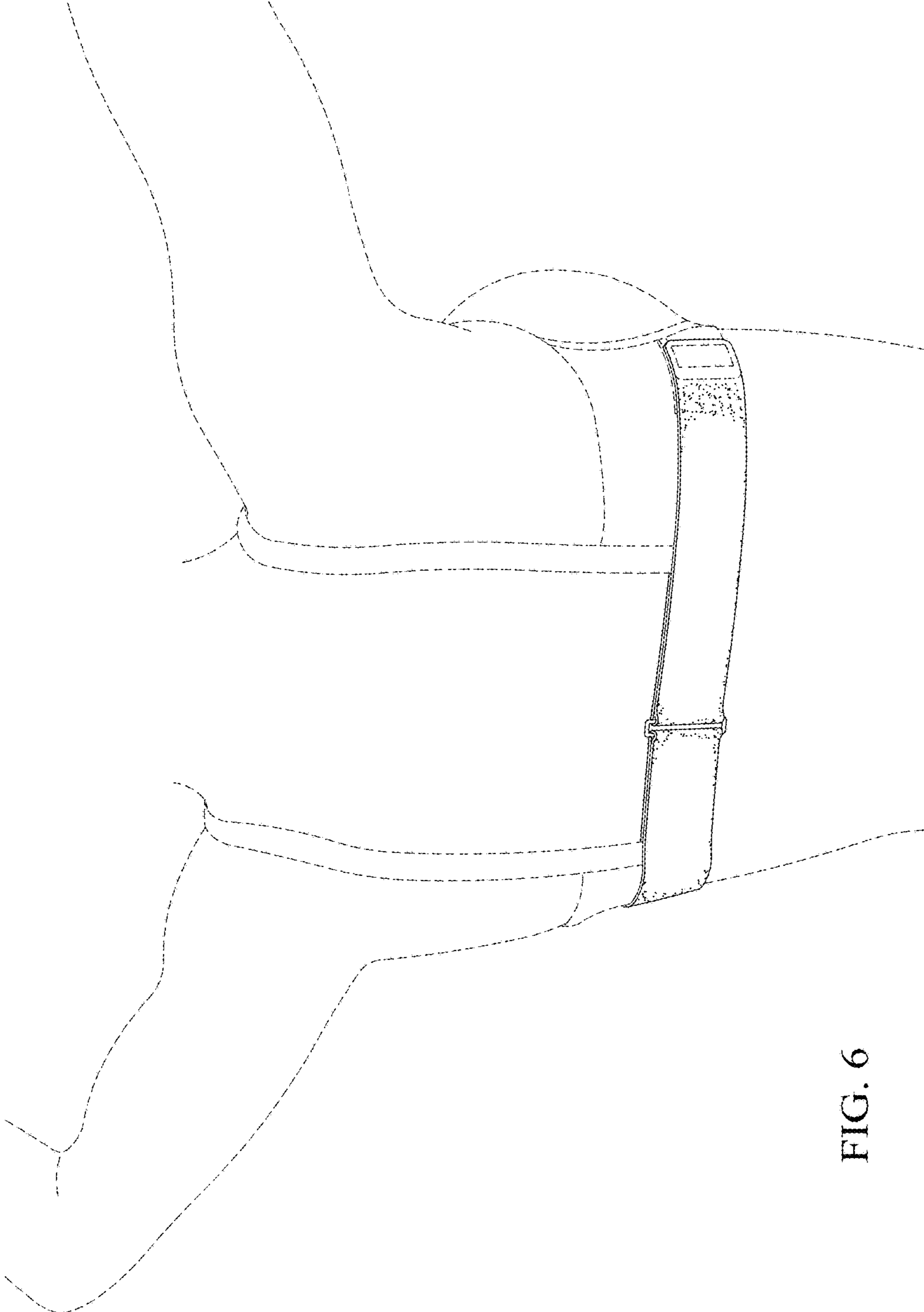


FIG. 6

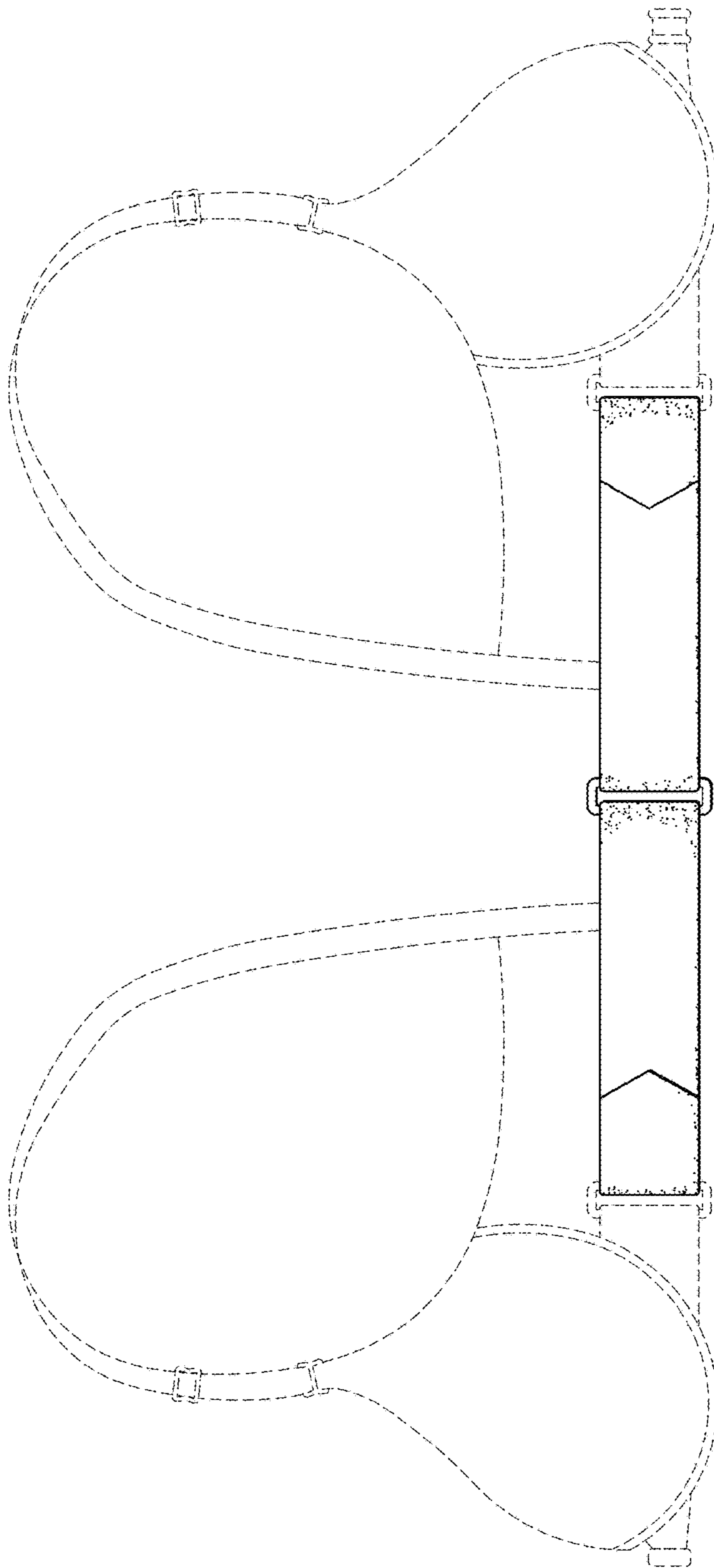


FIG. 7



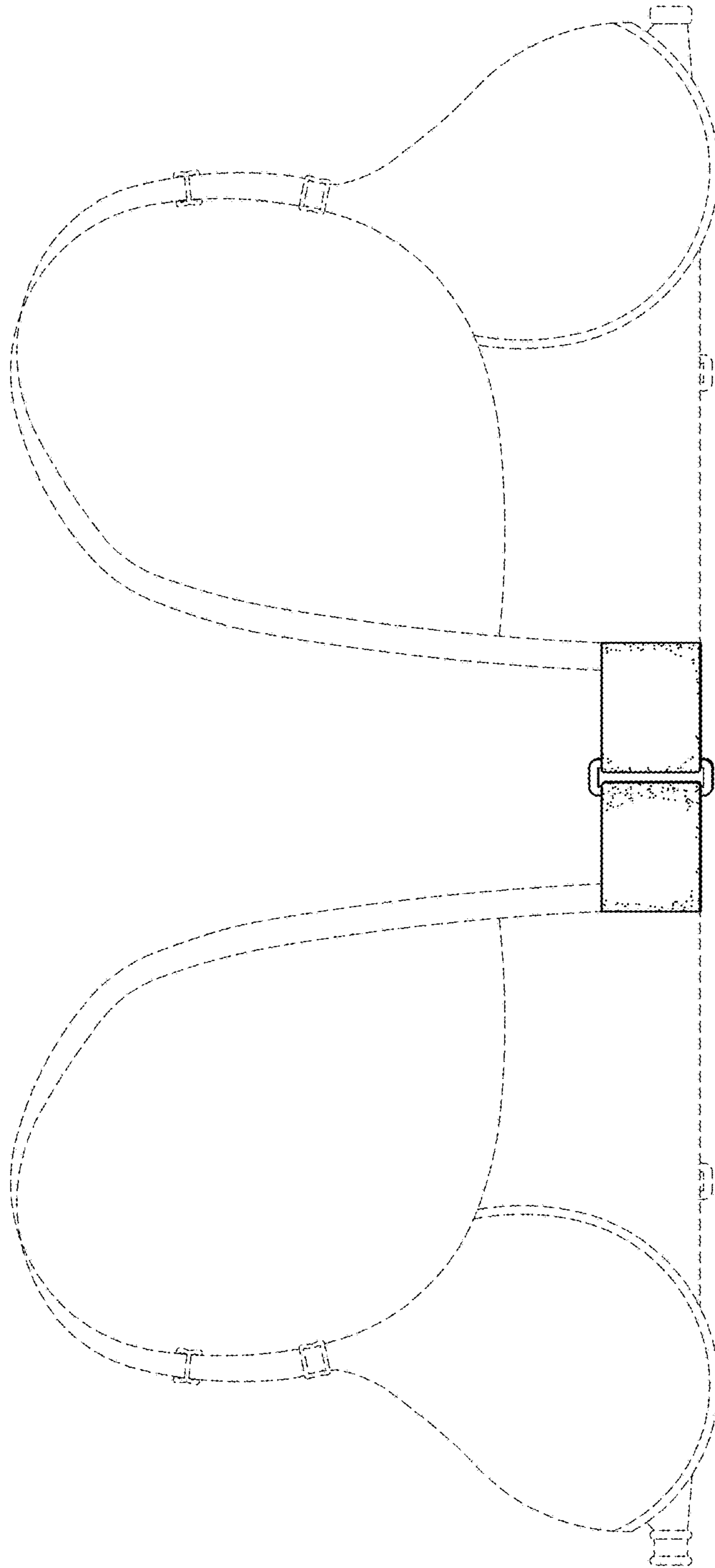


FIG. 8

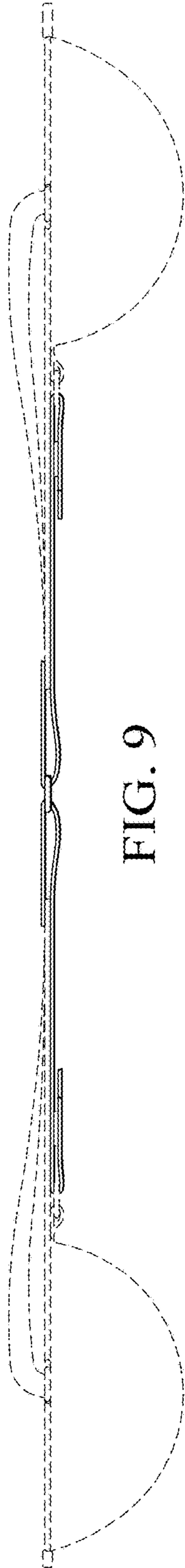


FIG. 9

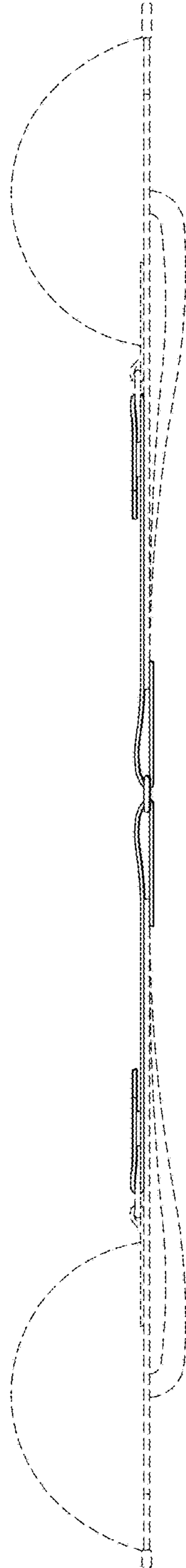


FIG. 10

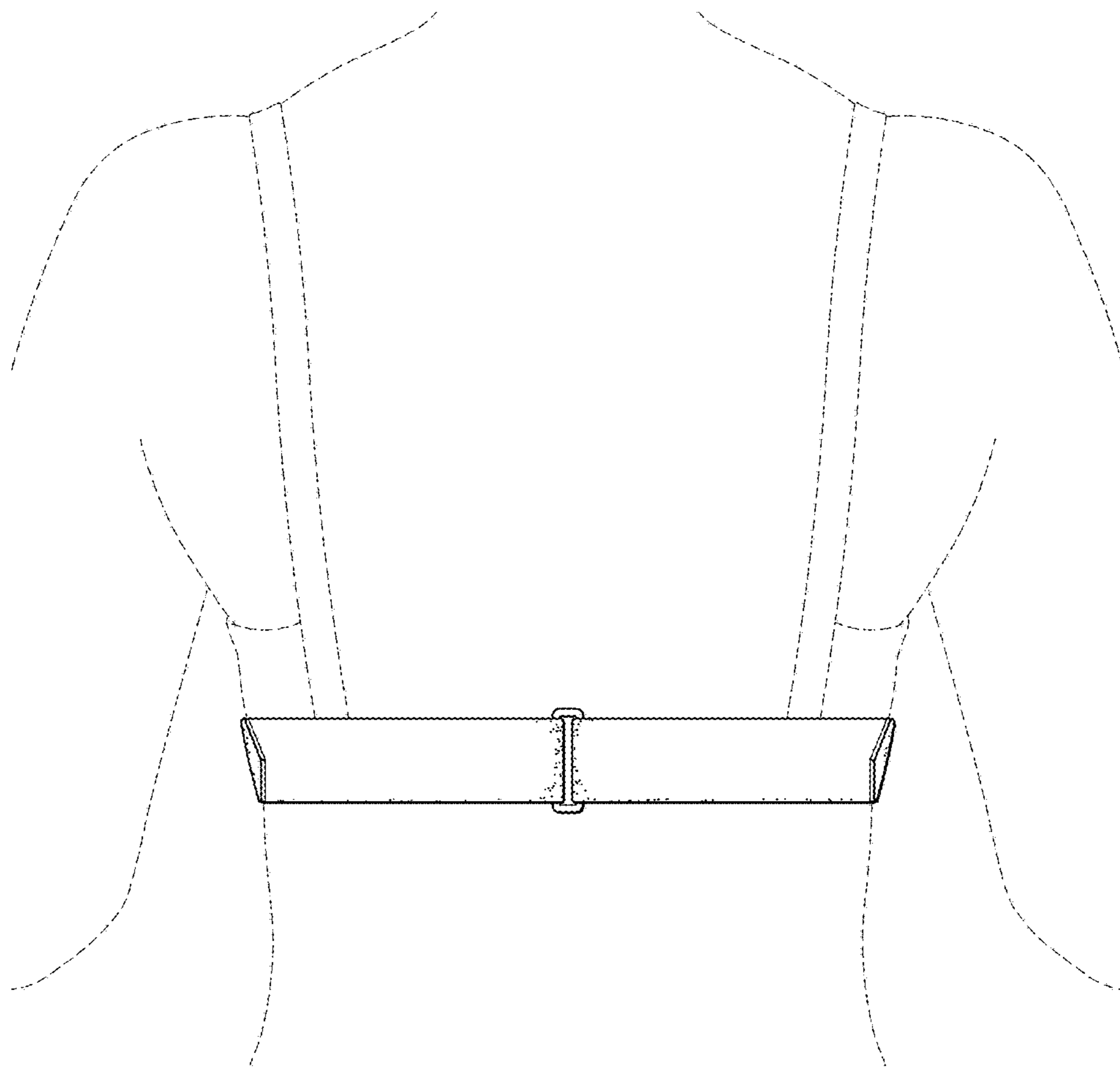


FIG. 11

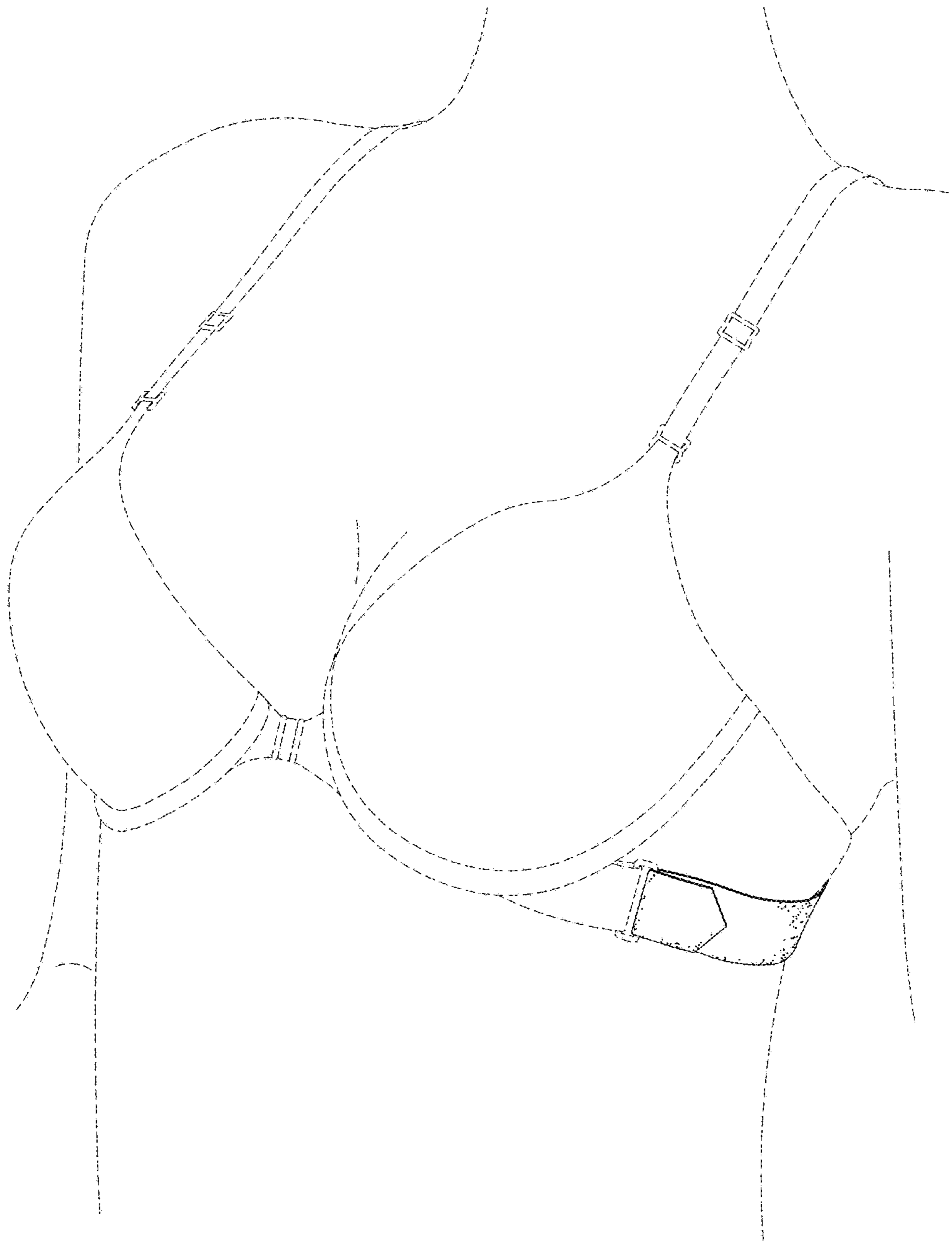


FIG. 12

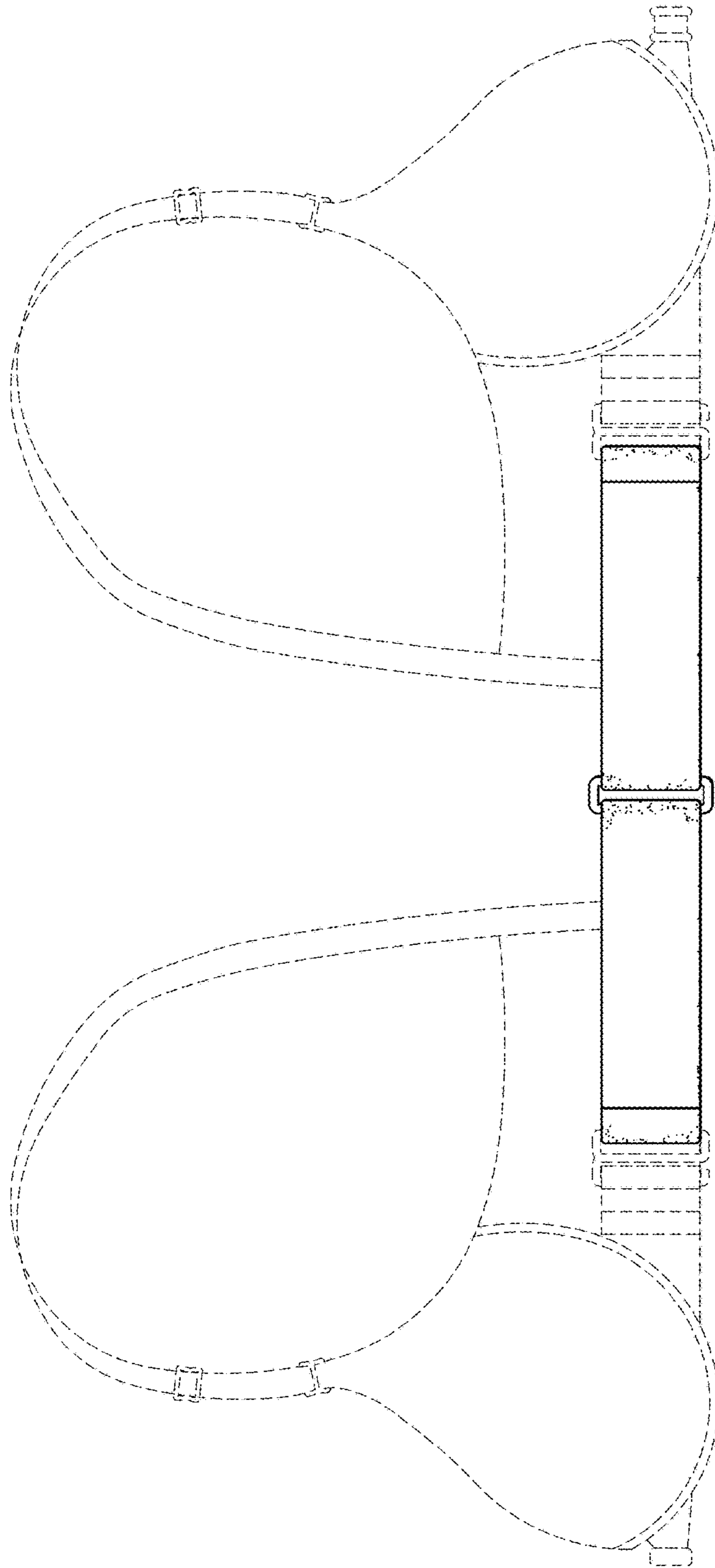


FIG. 13

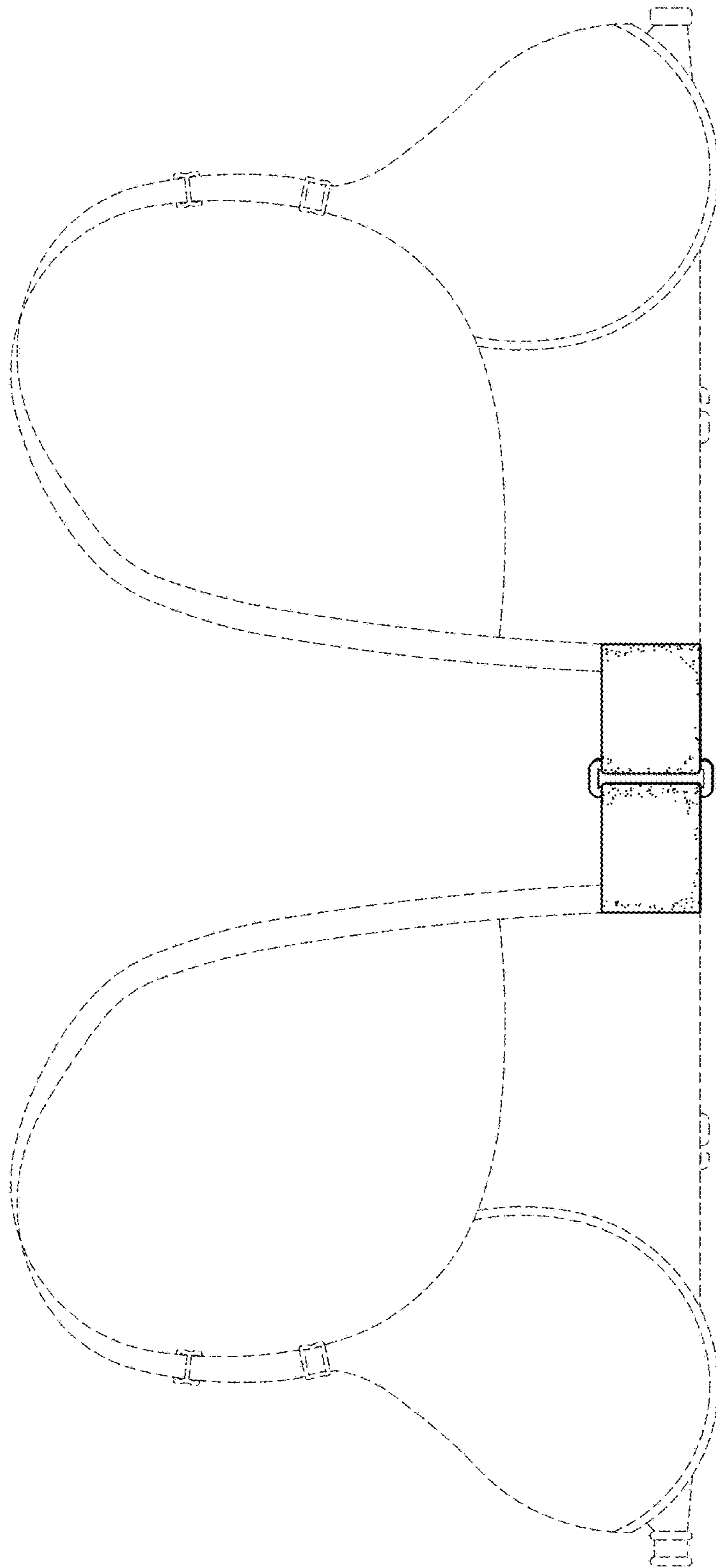


FIG. 14

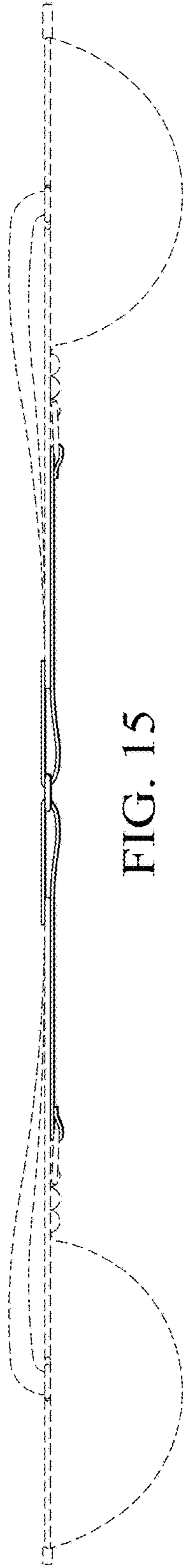


FIG. 15

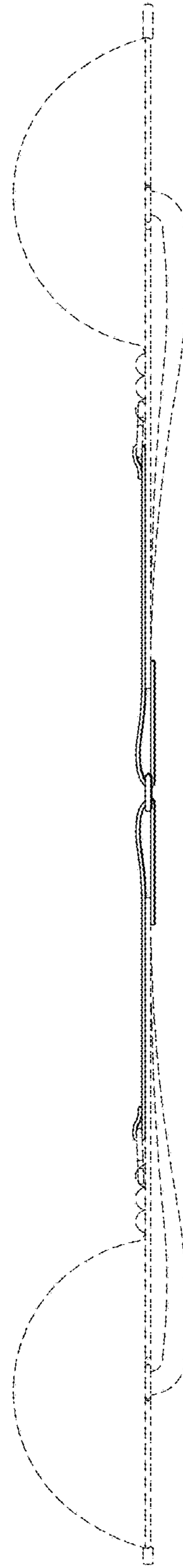


FIG. 16

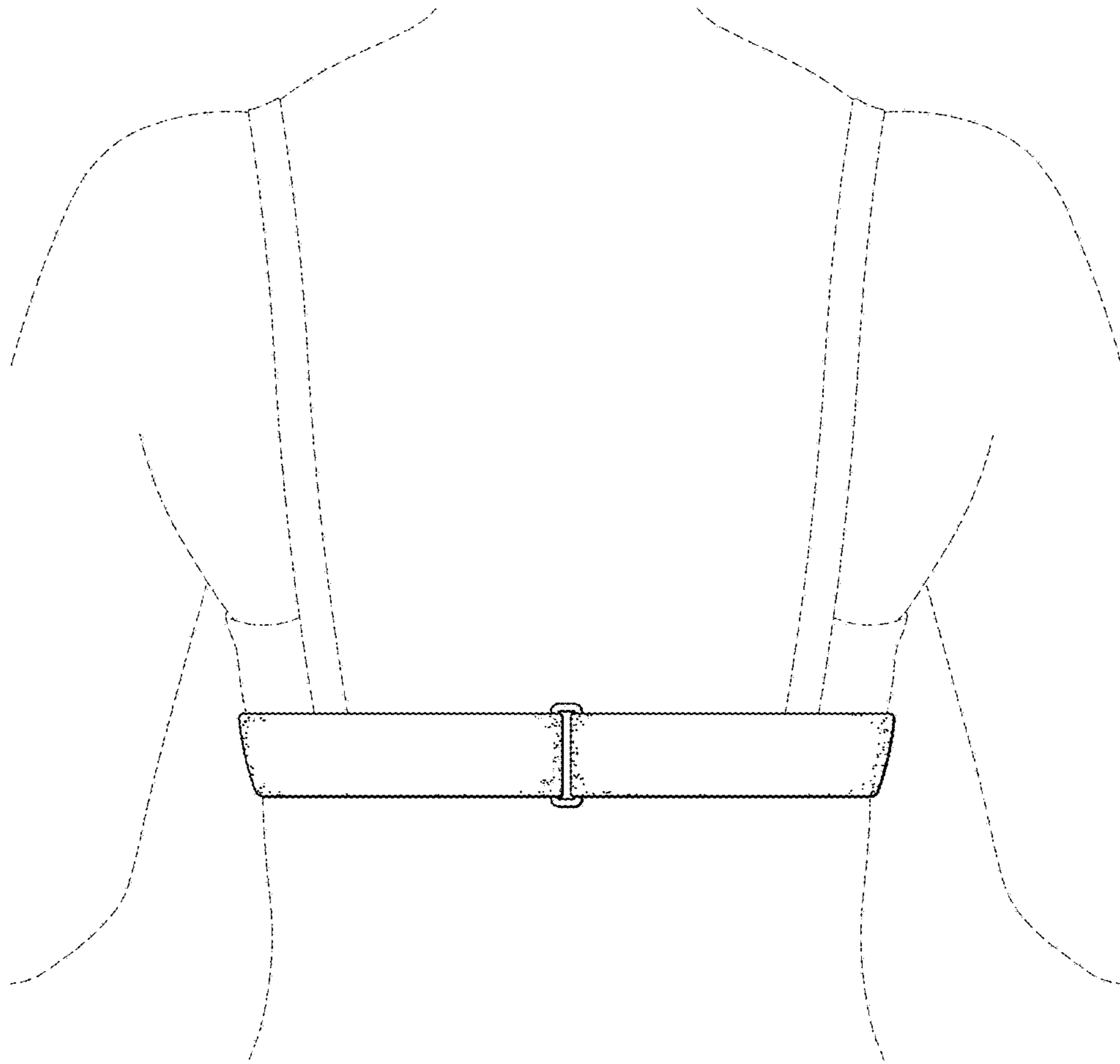


FIG. 17



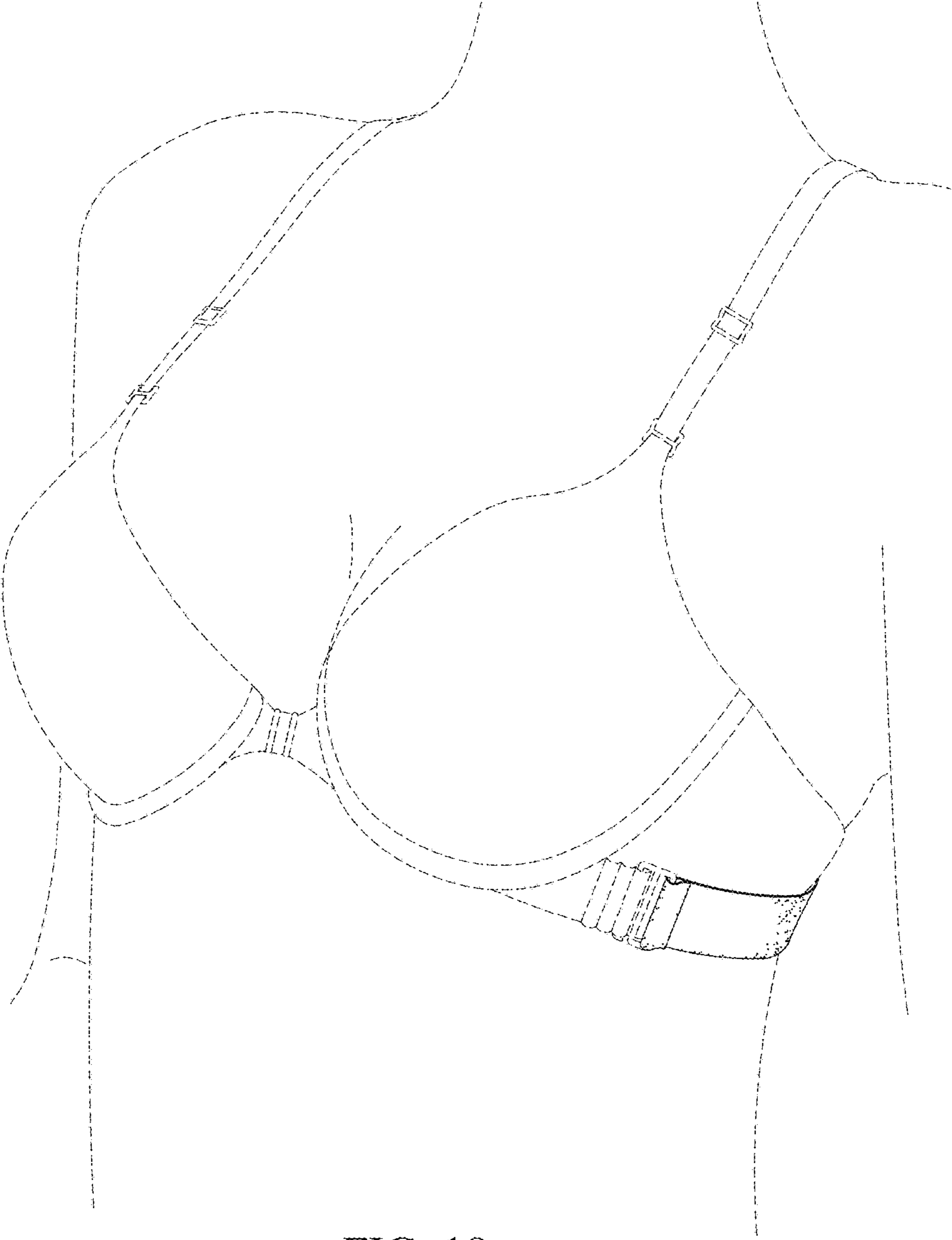


FIG. 18

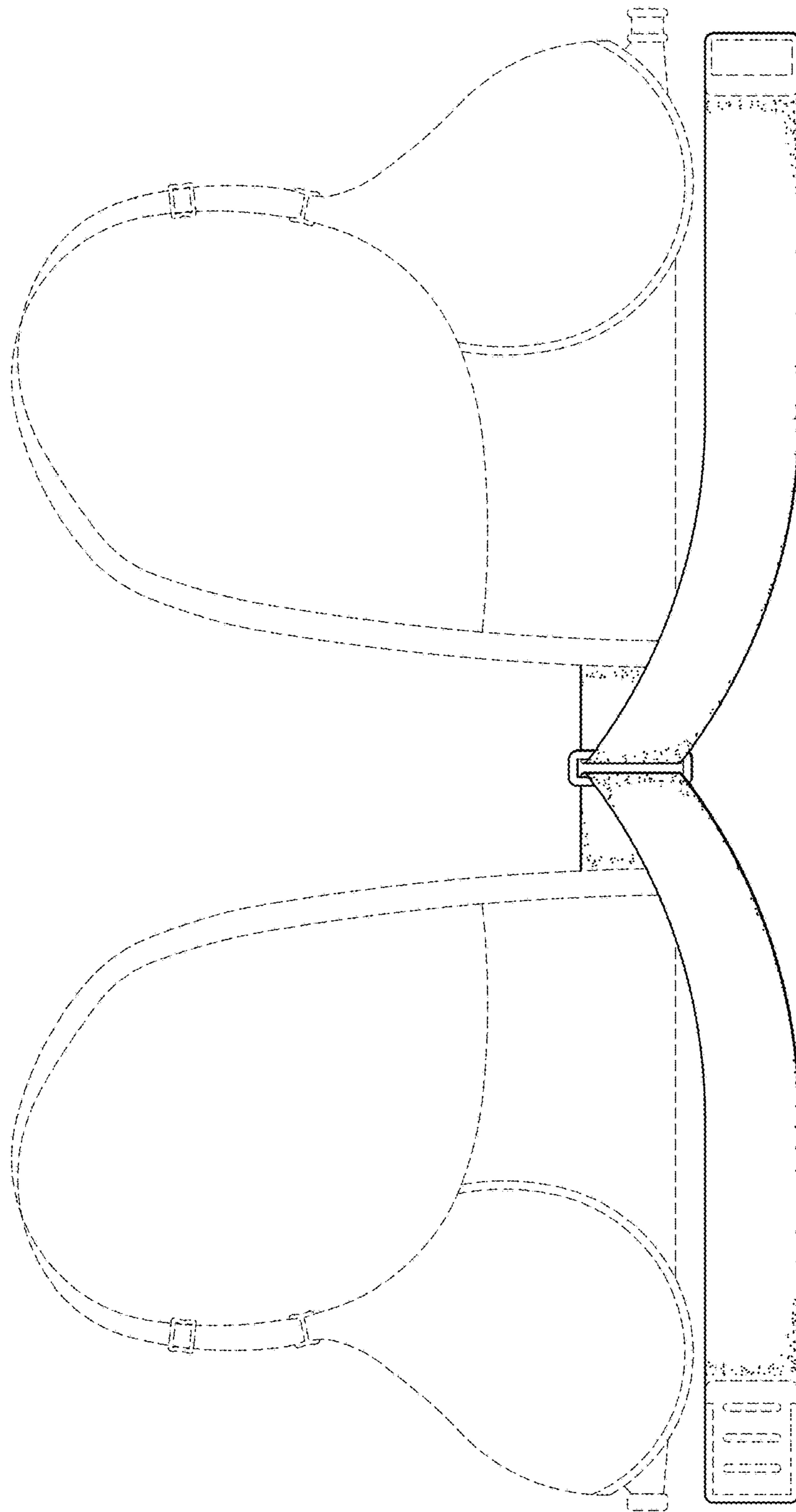


FIG. 19

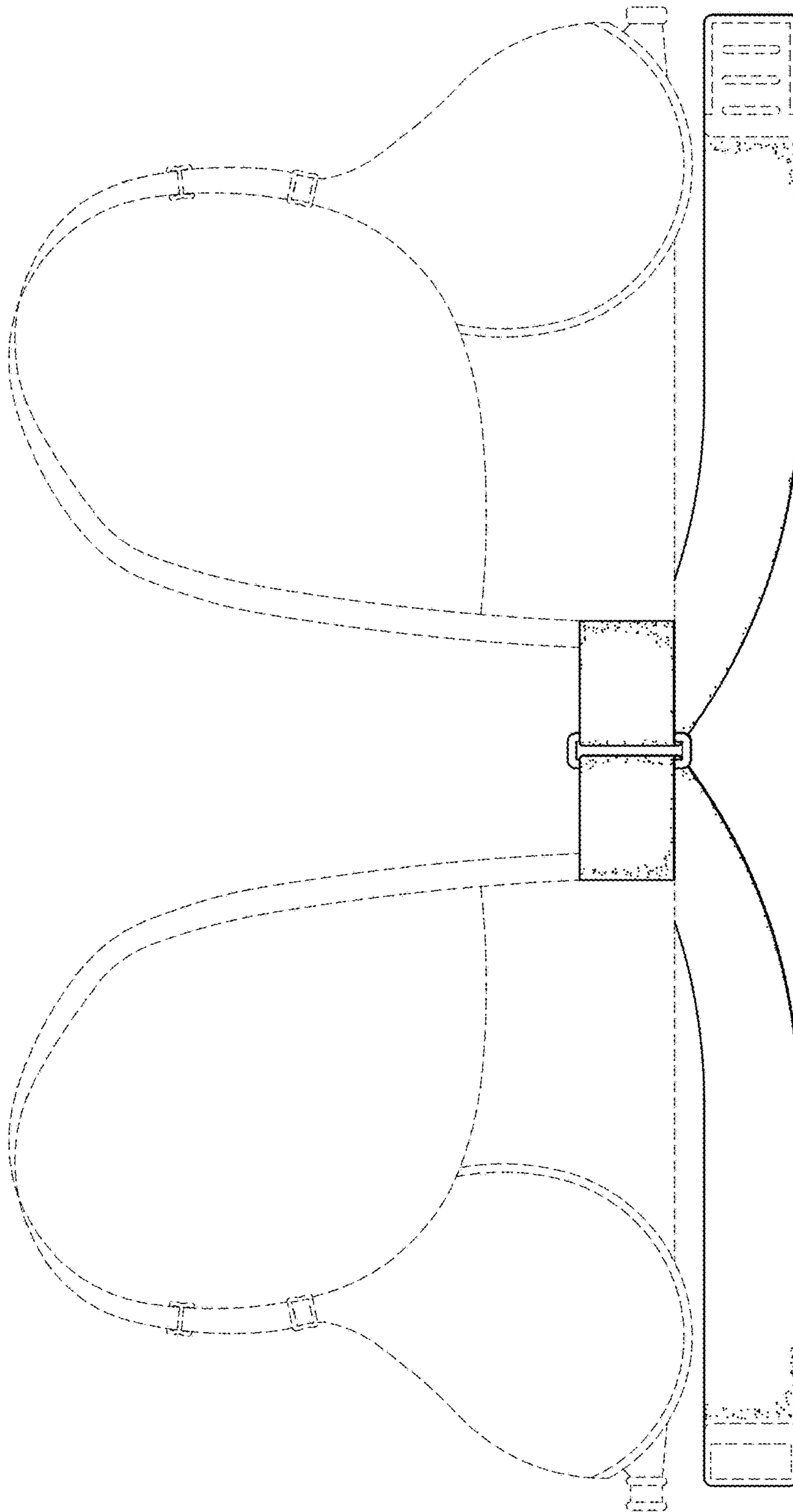


FIG. 20

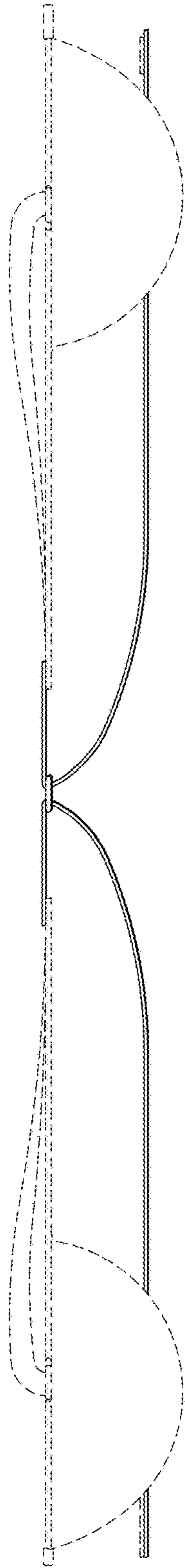


FIG. 21

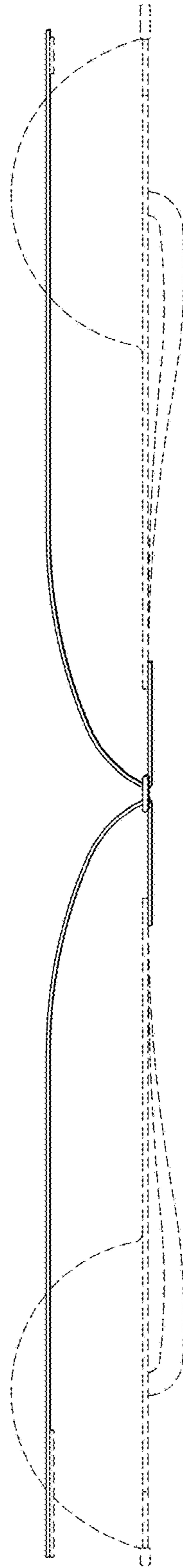


FIG. 22

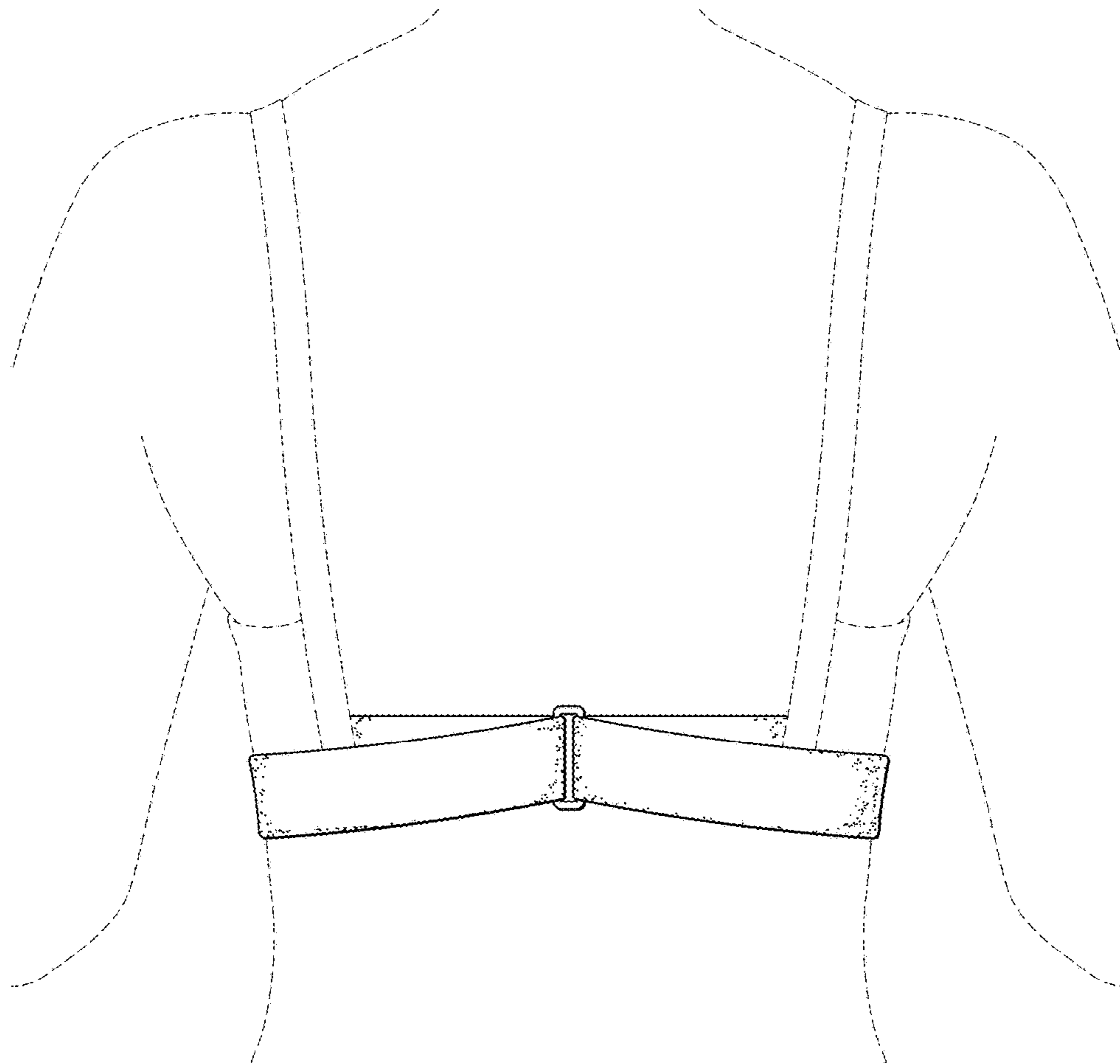


FIG. 23

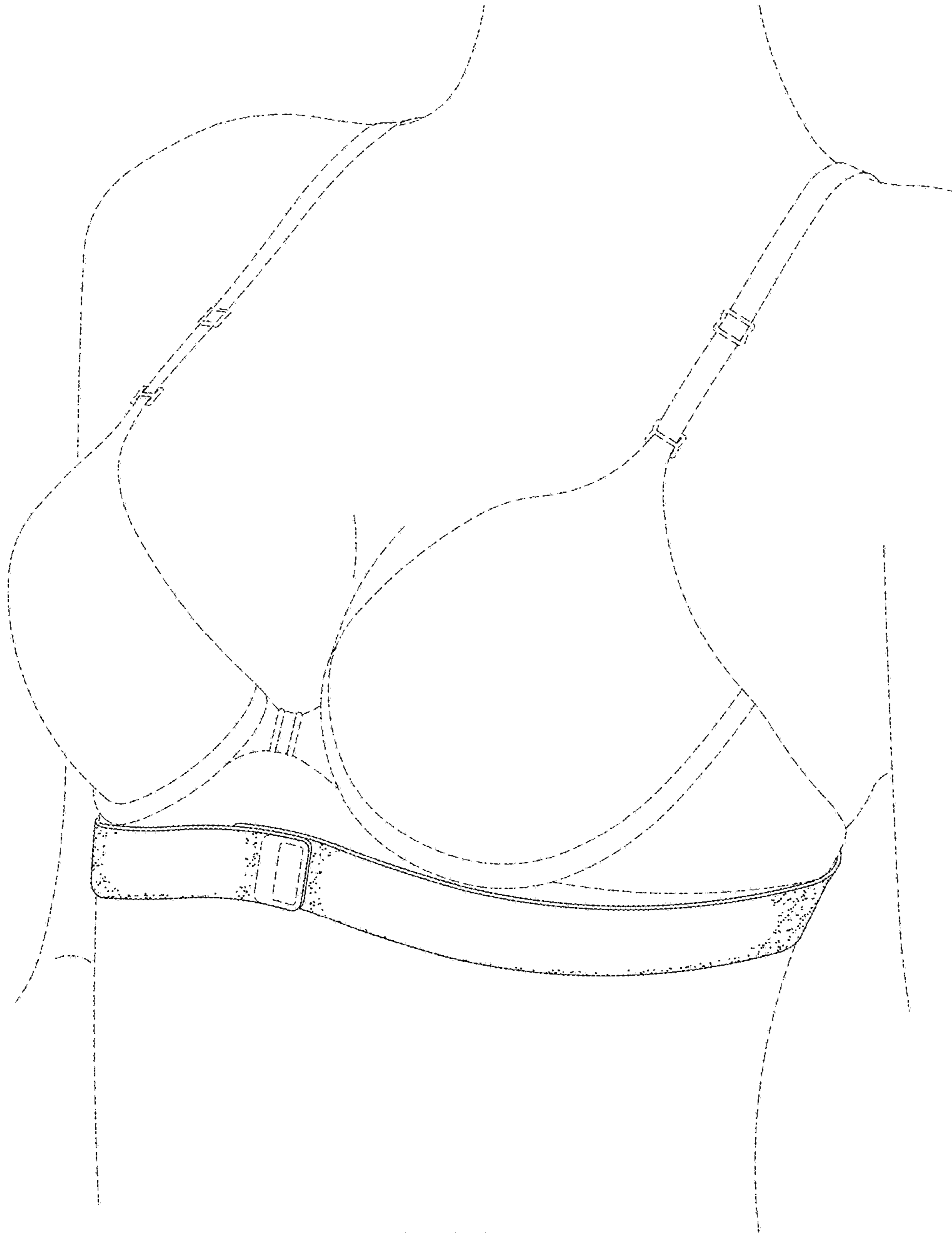


FIG. 24

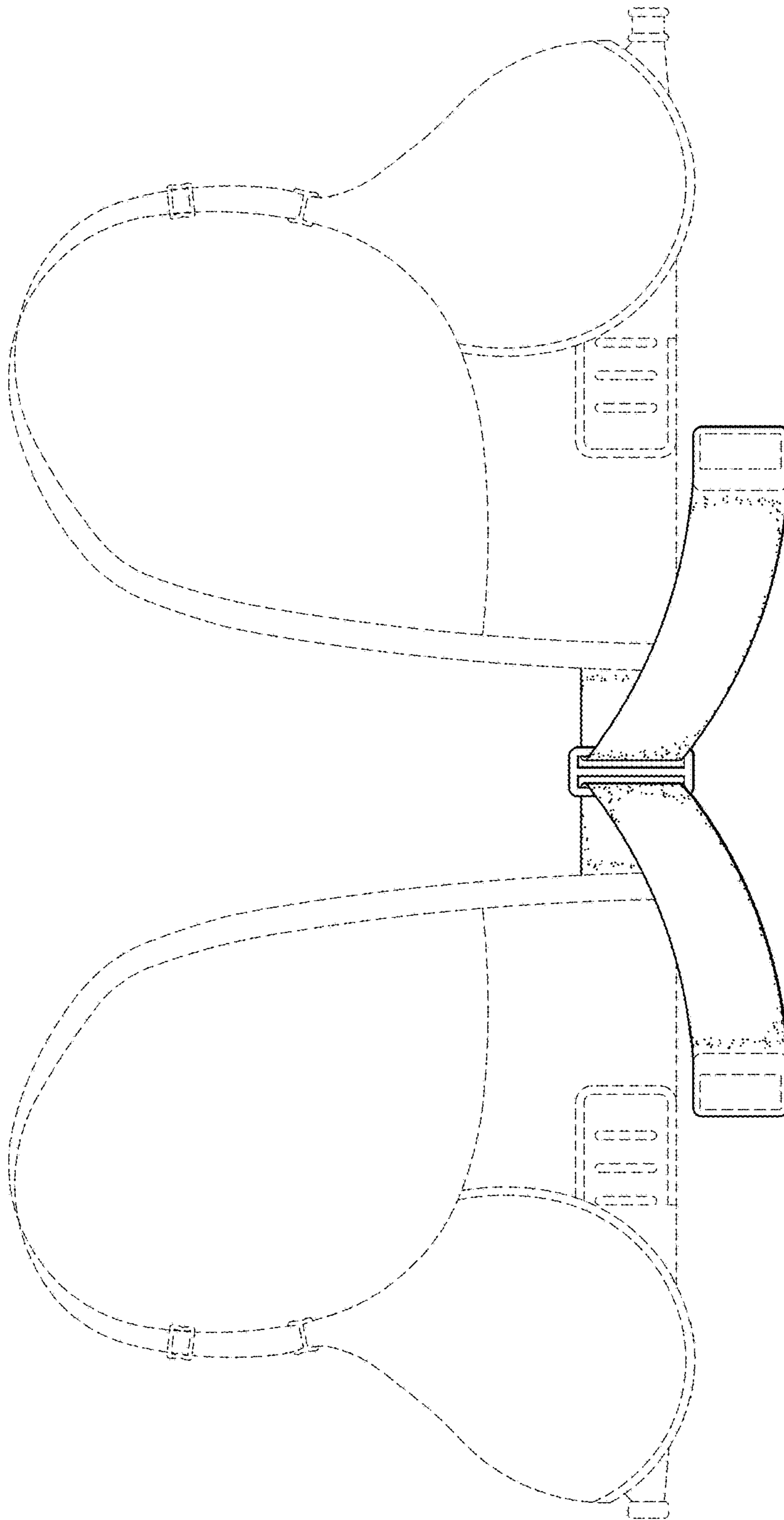


FIG. 25

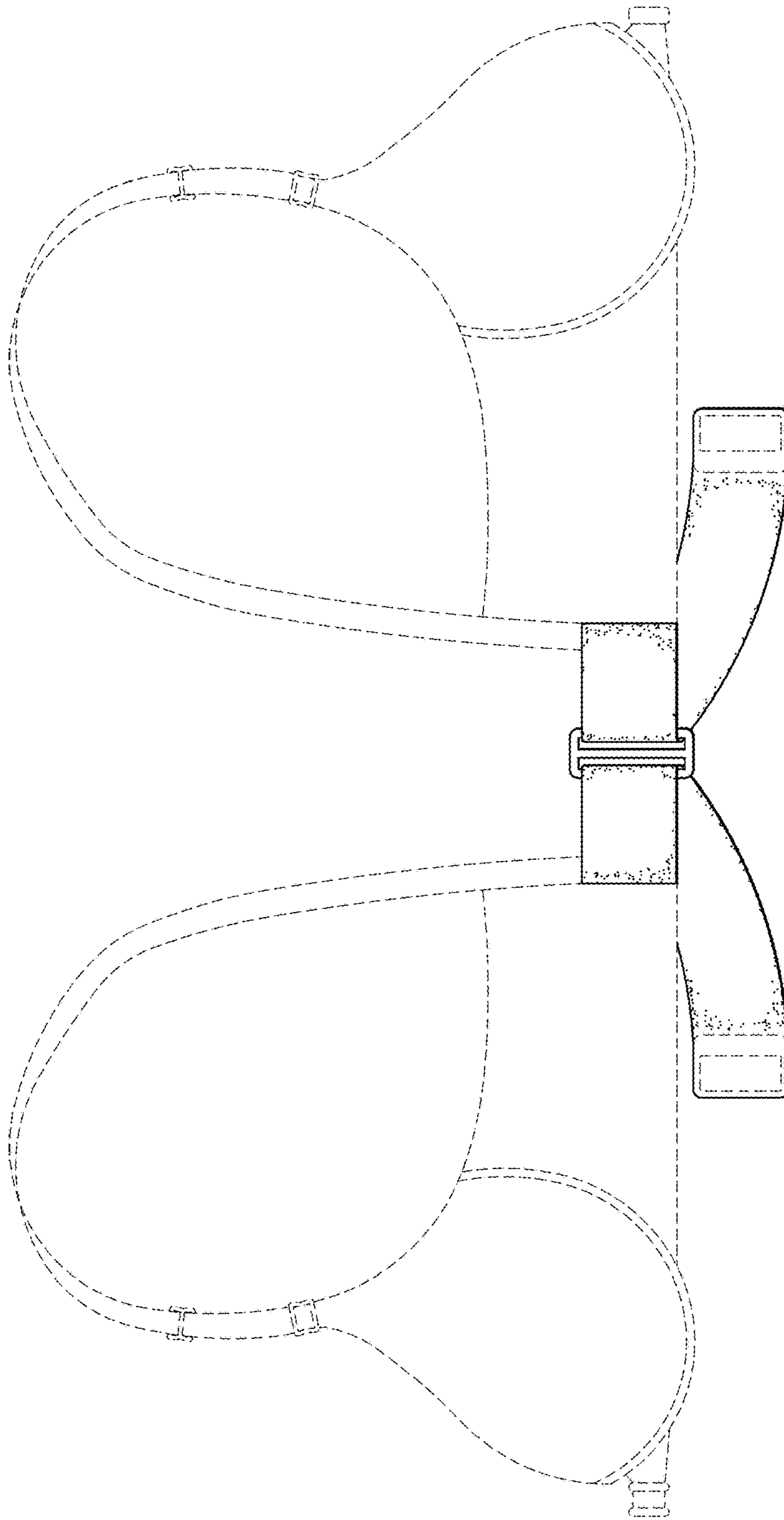


FIG. 26



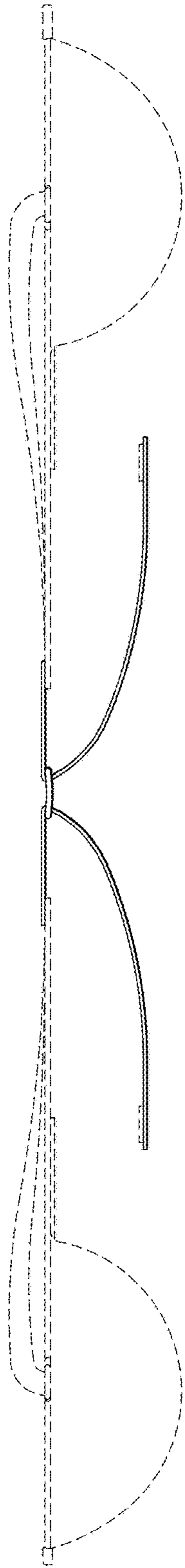


FIG. 27

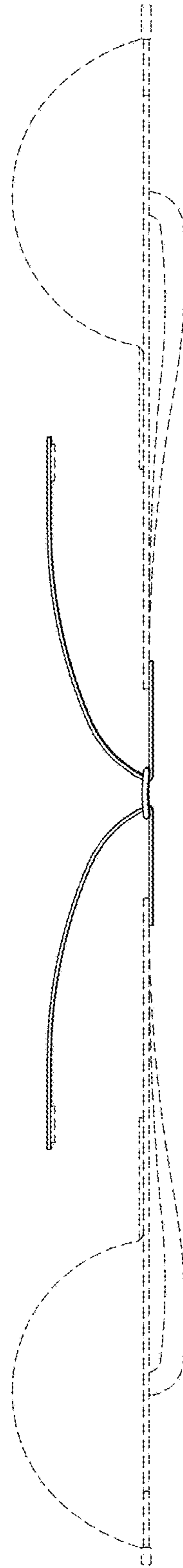


FIG. 28

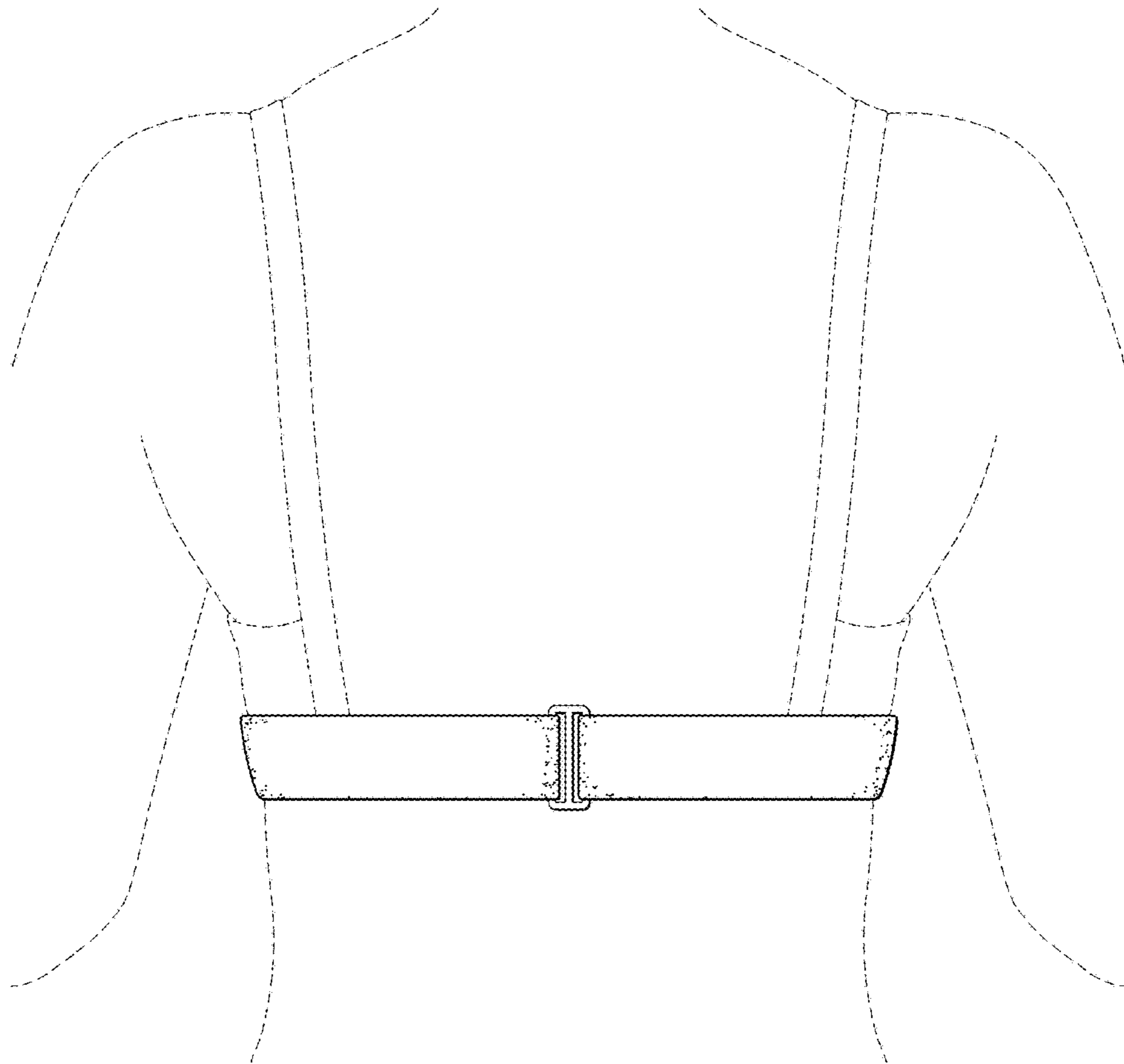


FIG. 29

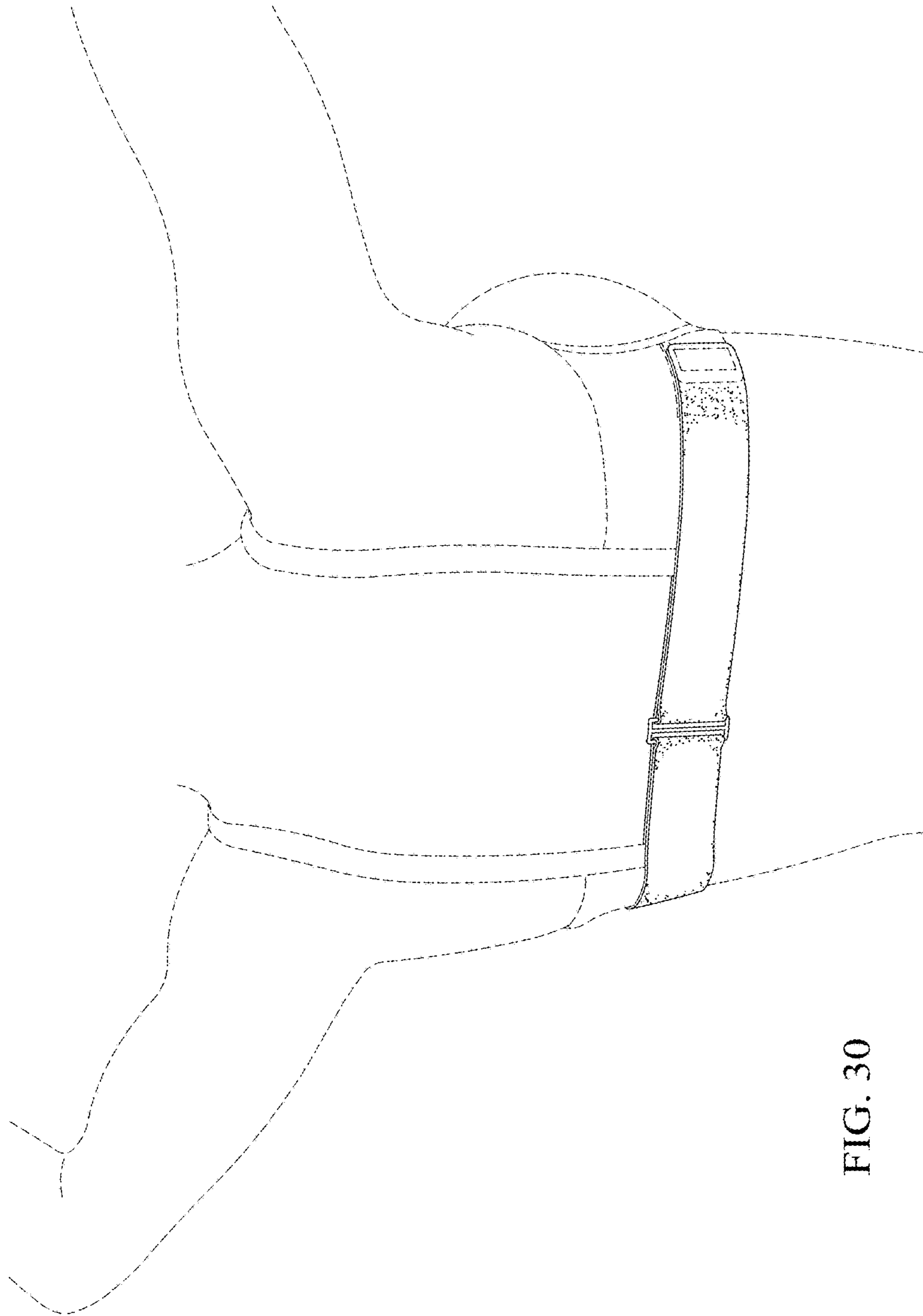


FIG. 30

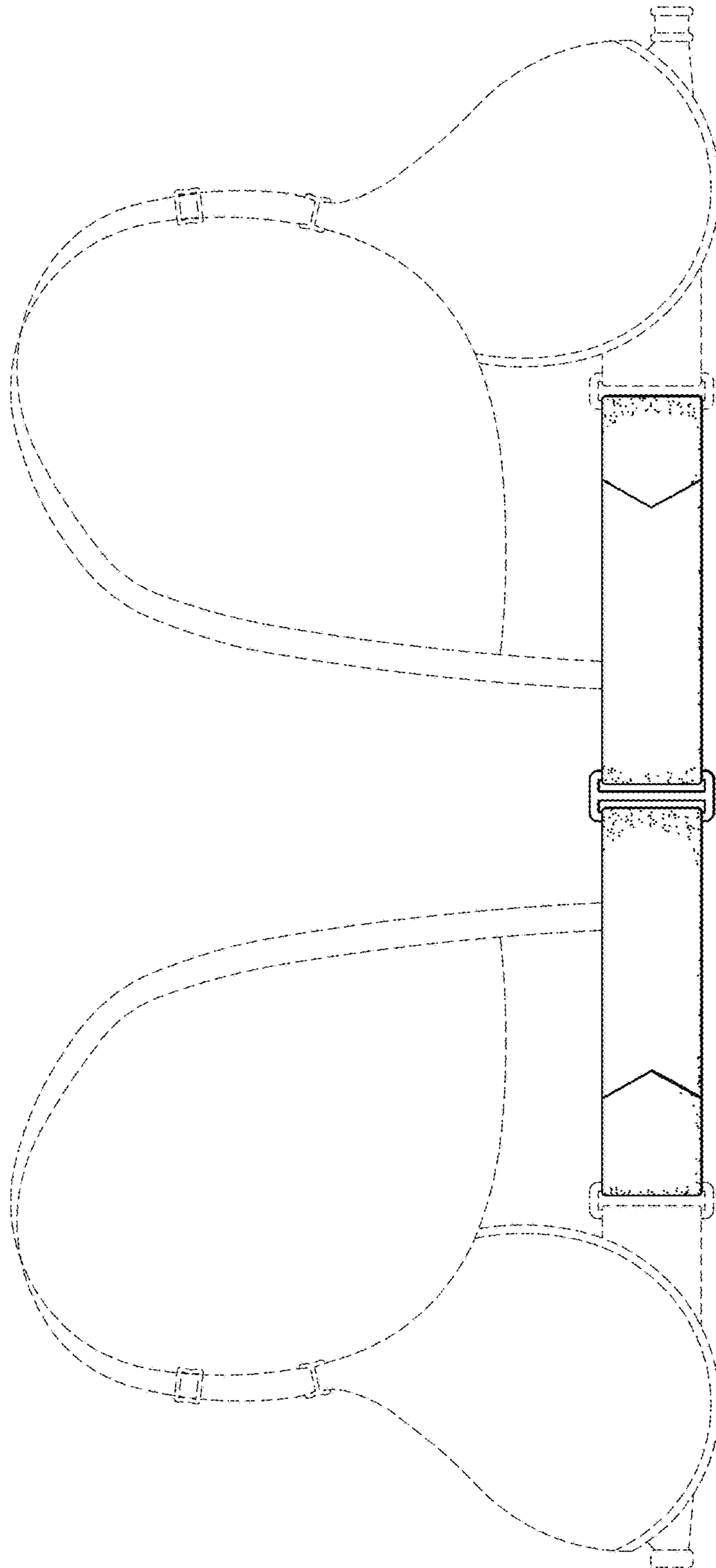


FIG. 31

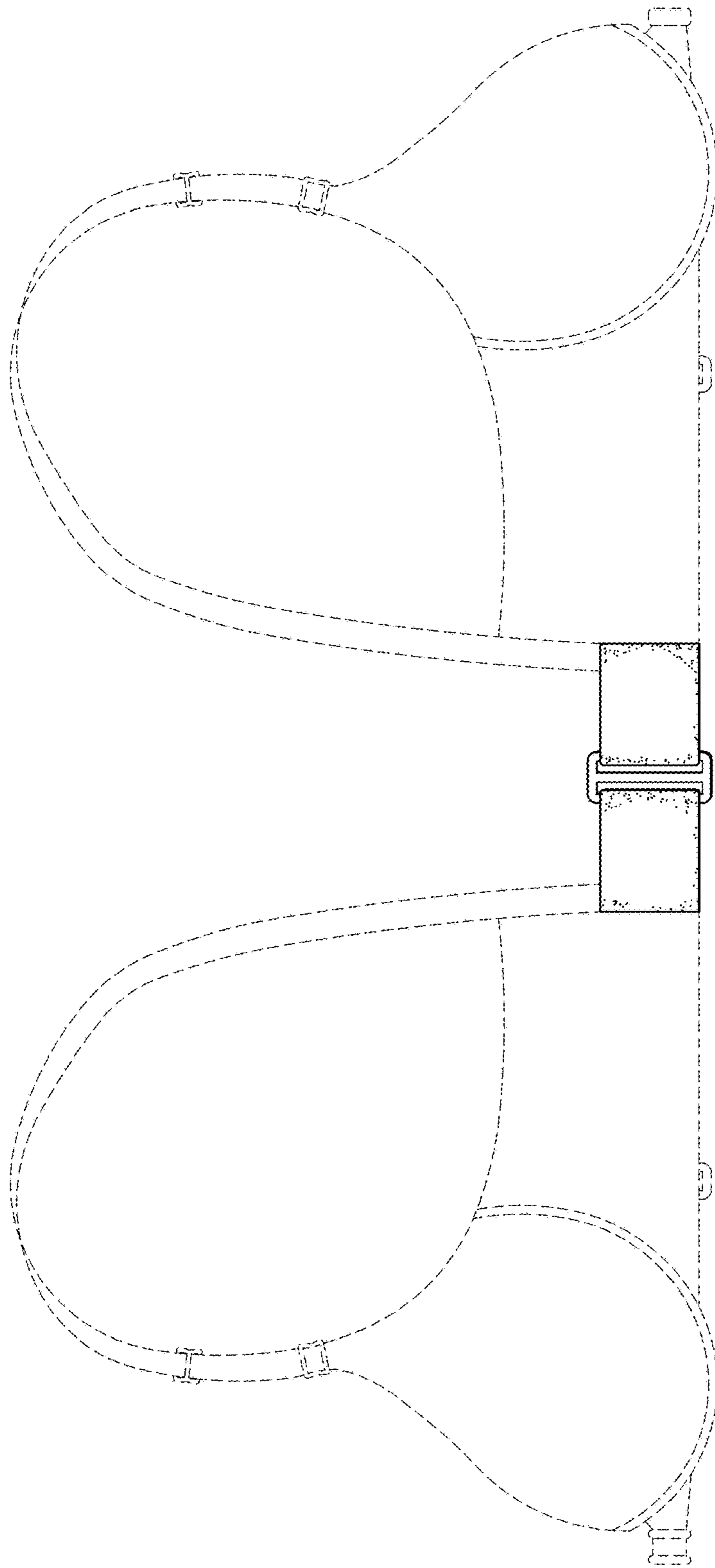


FIG. 32

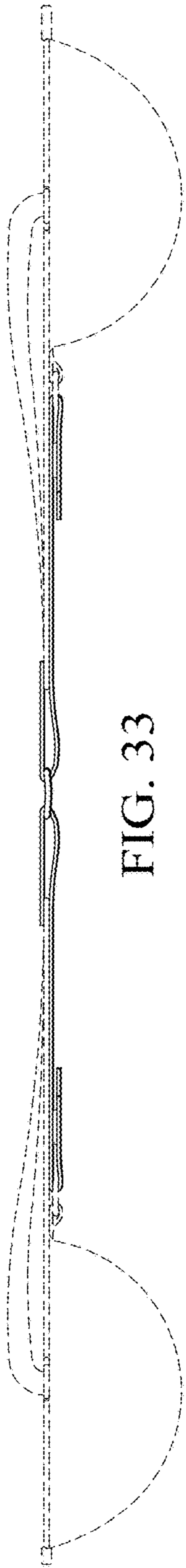


FIG. 33

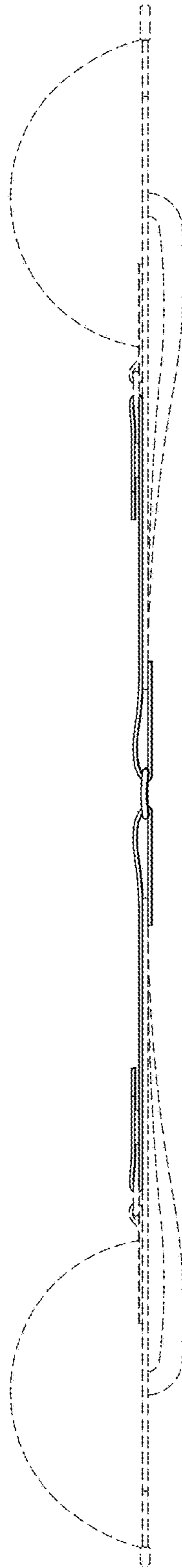


FIG. 34

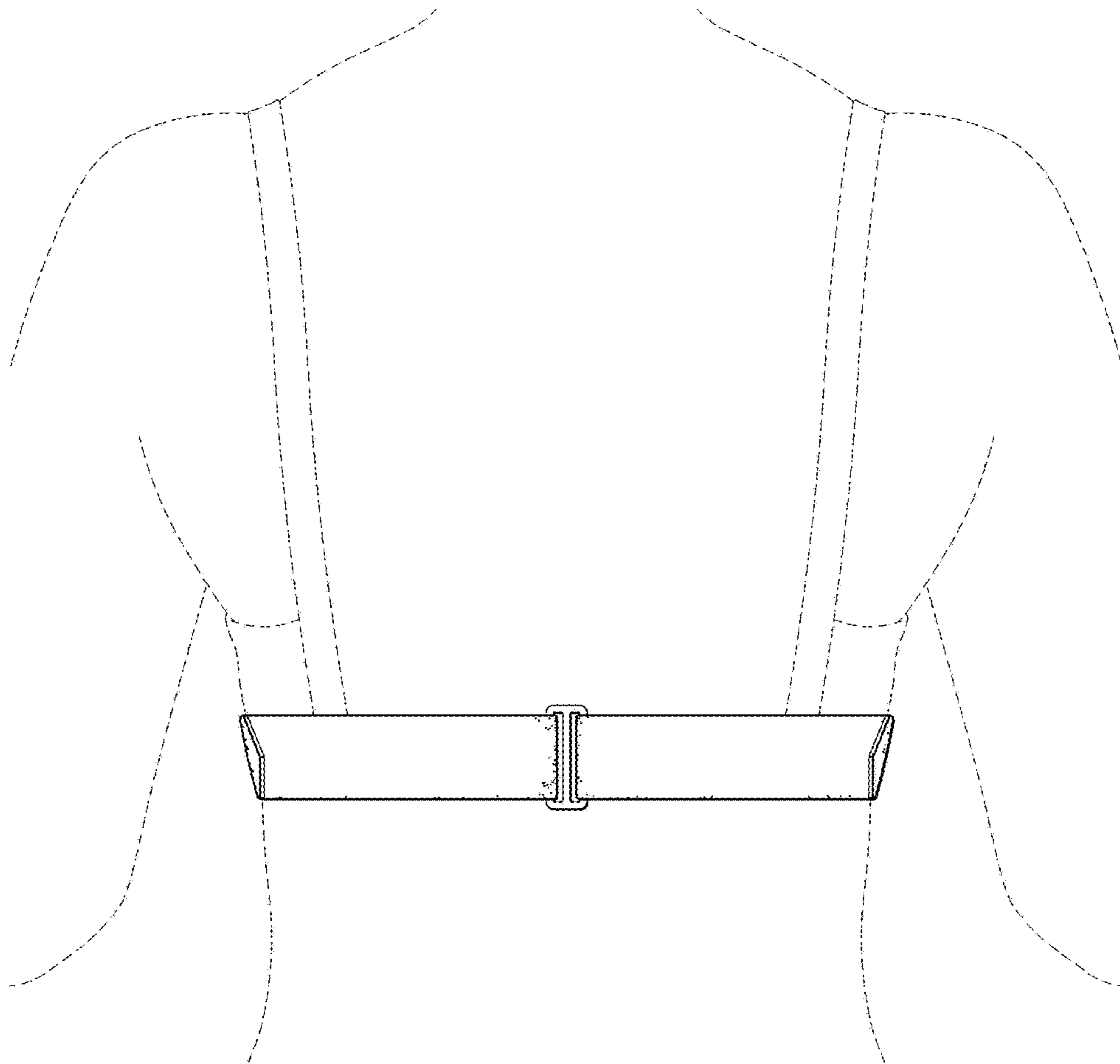


FIG. 35

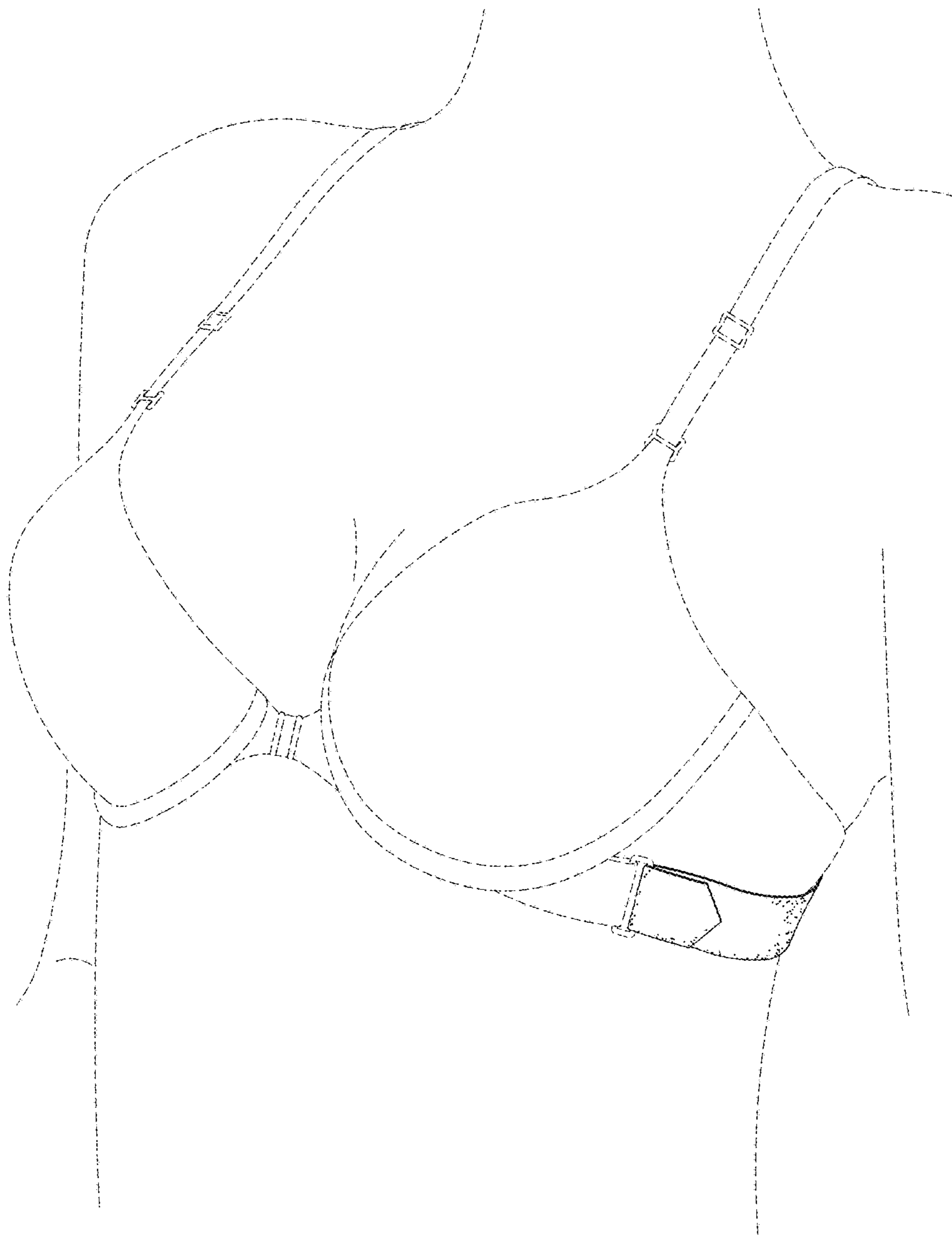


FIG. 36



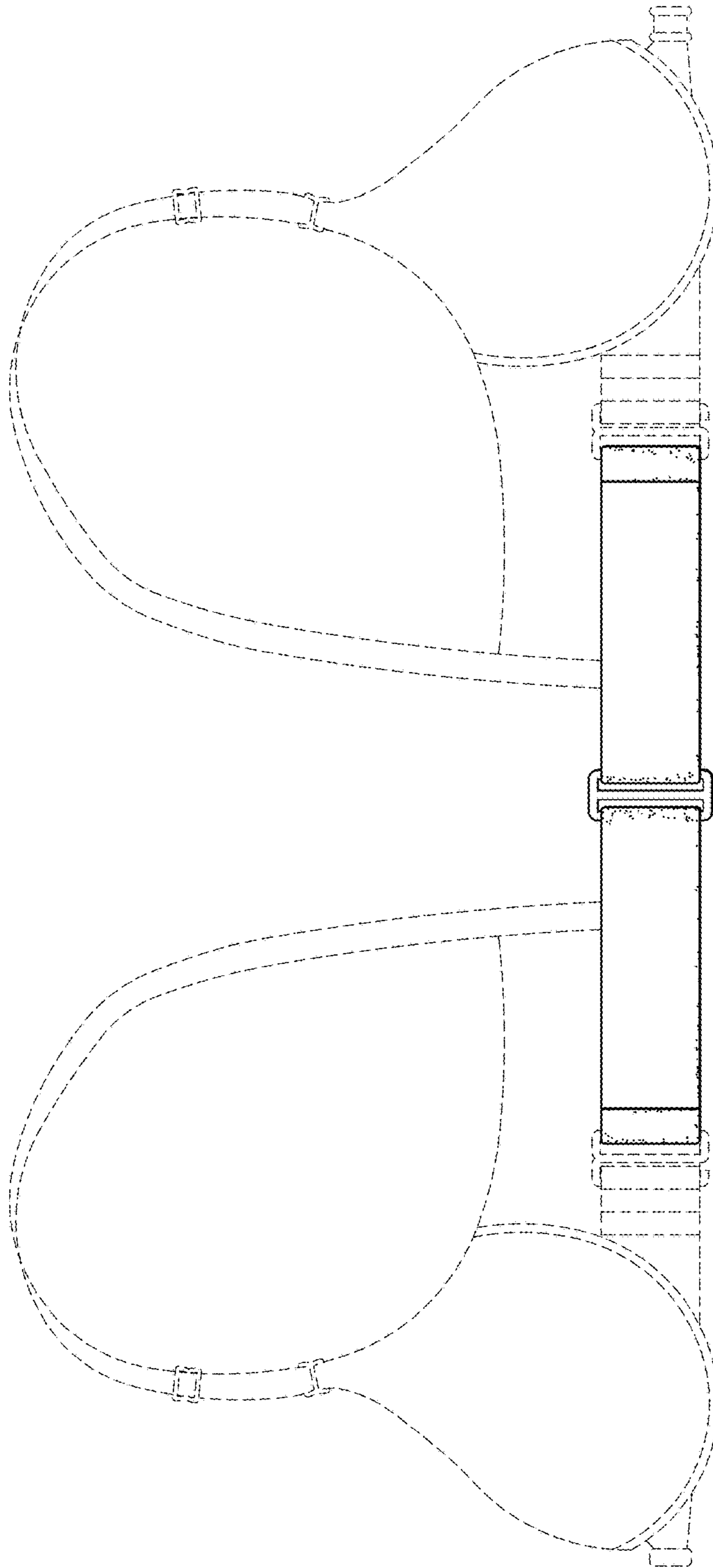


FIG. 37

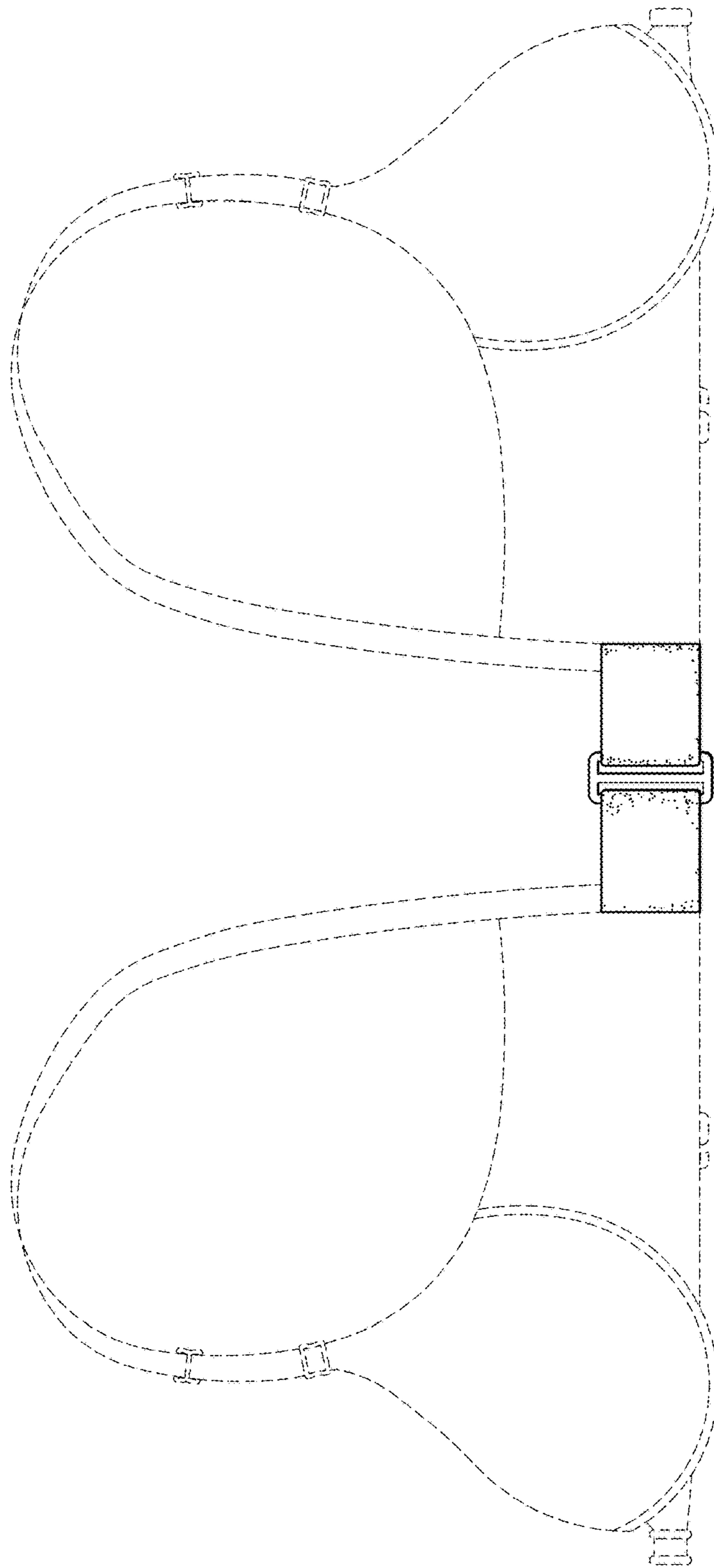


FIG. 38

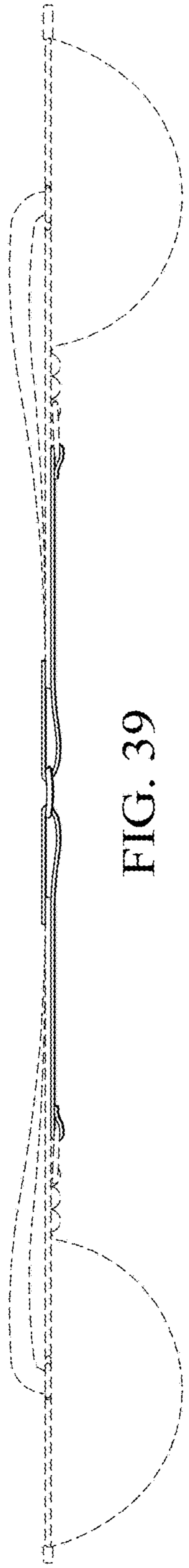


FIG. 39

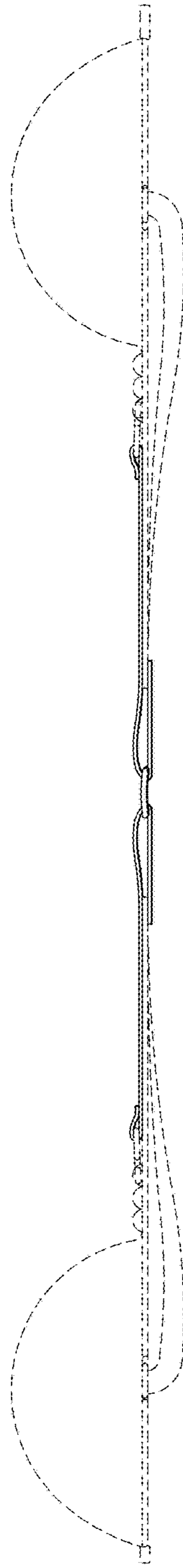


FIG. 40

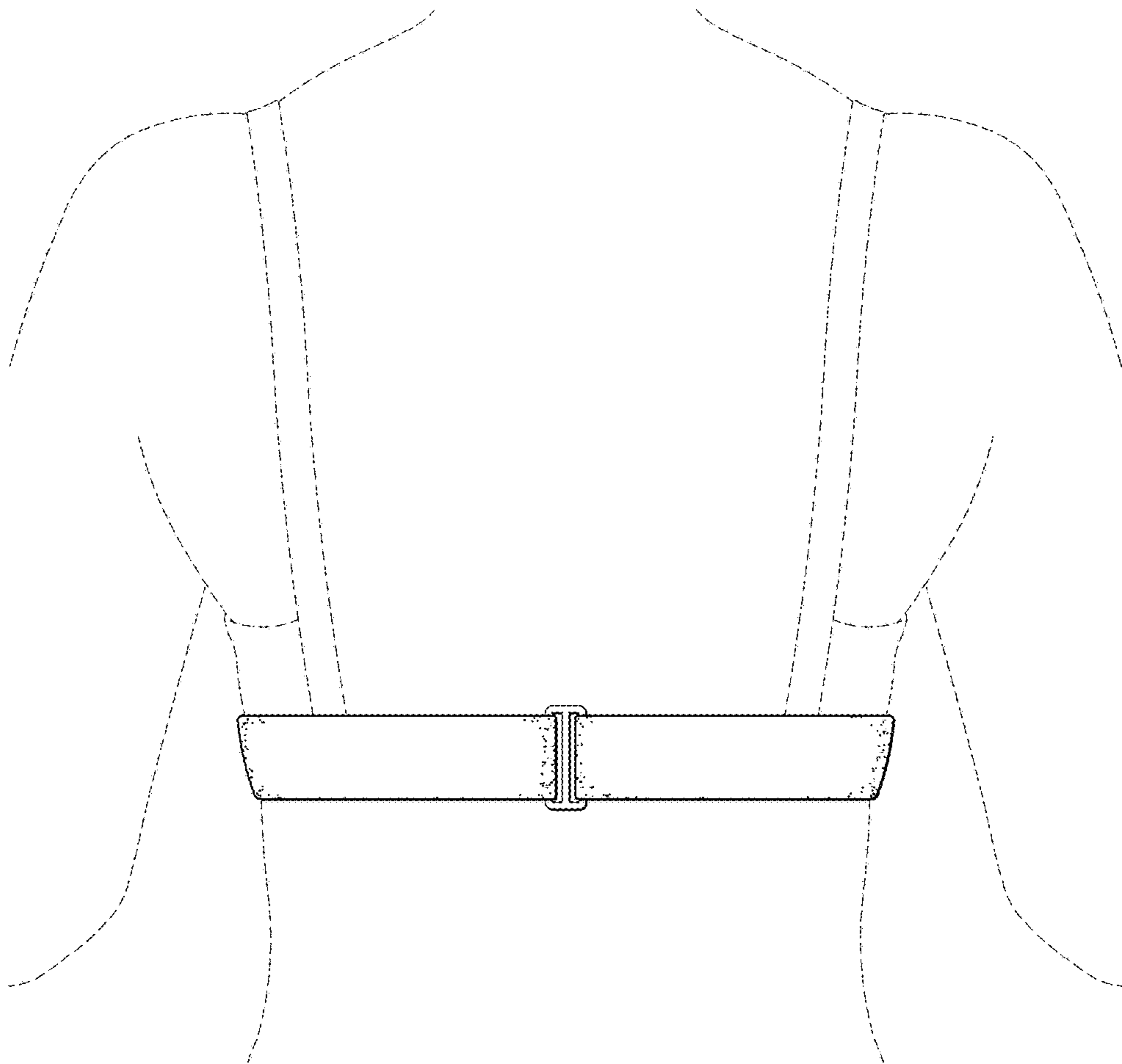


FIG. 41

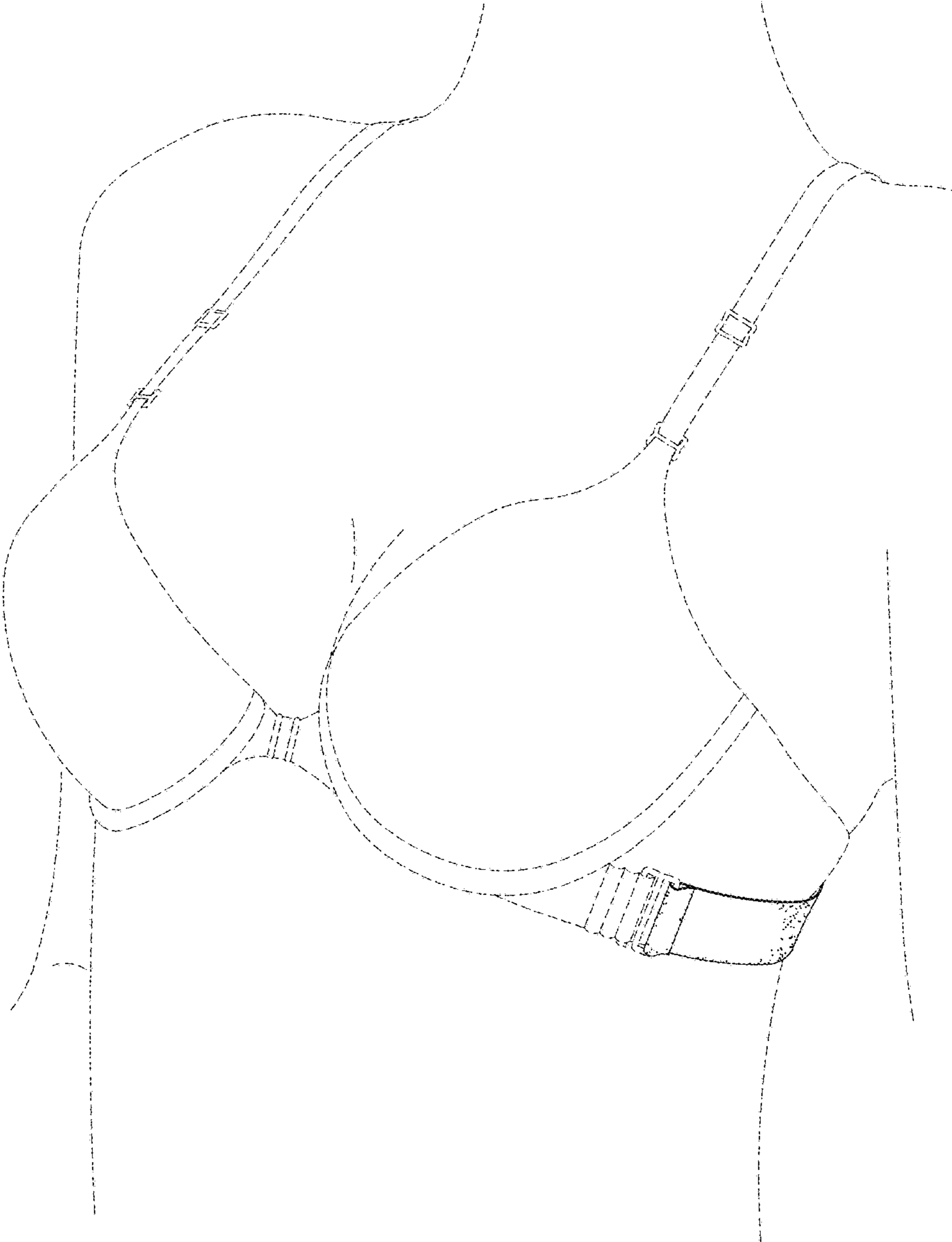


FIG. 42

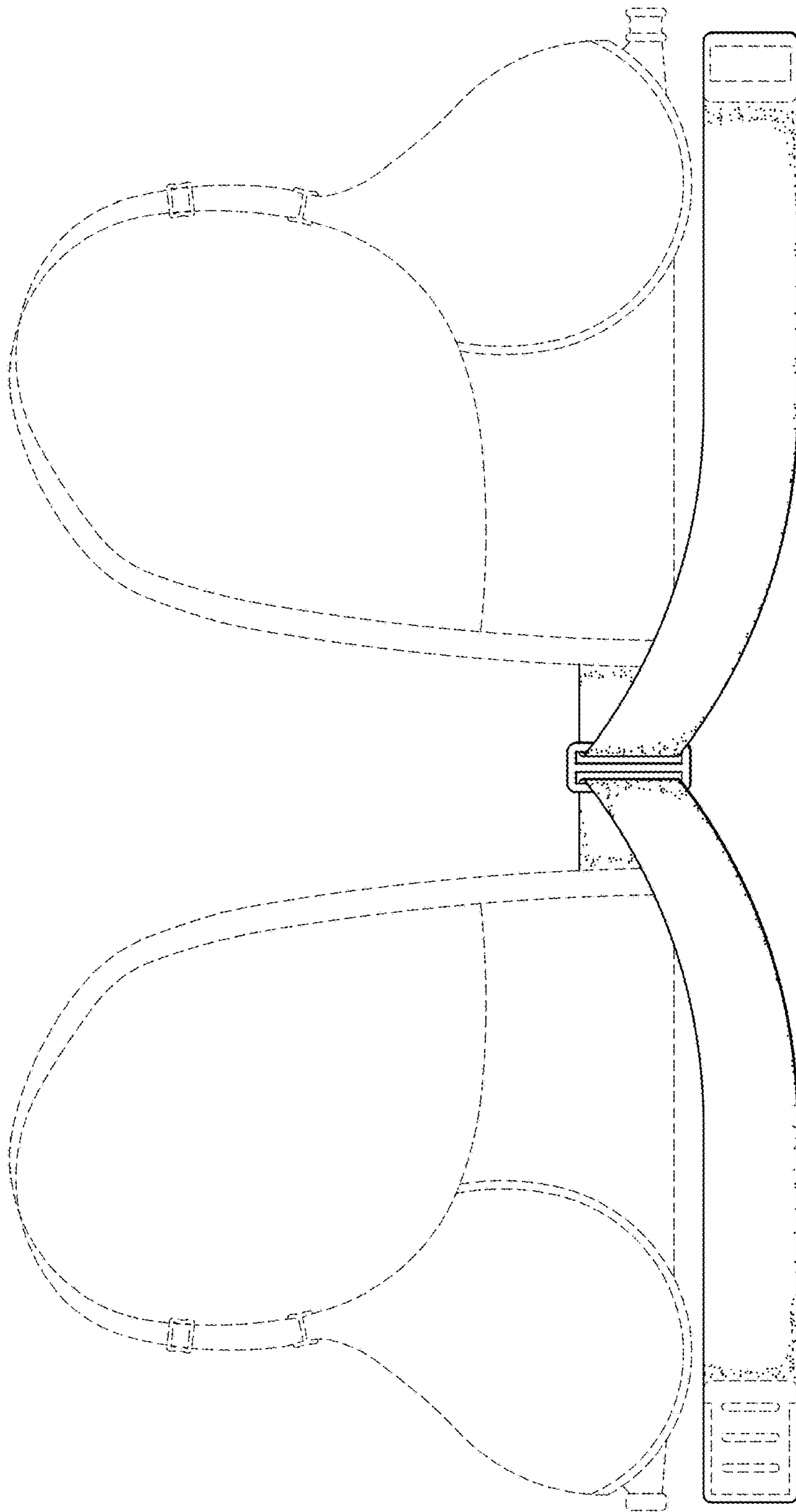


FIG. 43

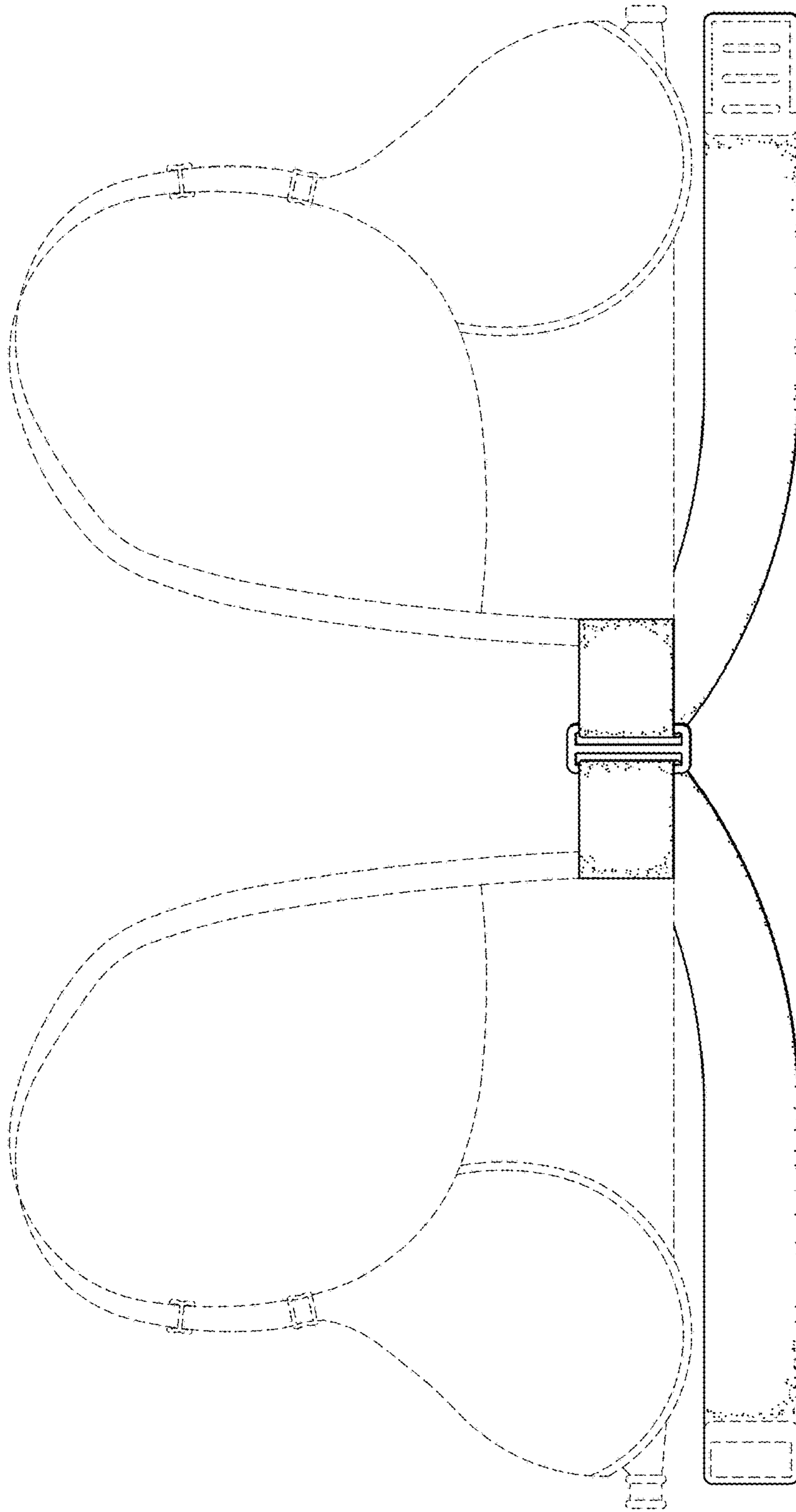


FIG. 44

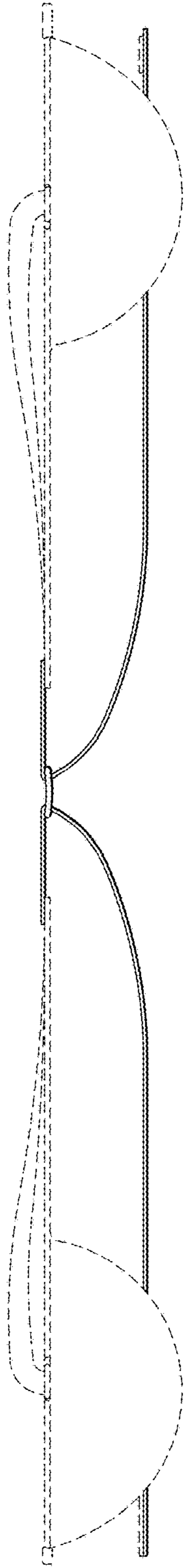


FIG. 45

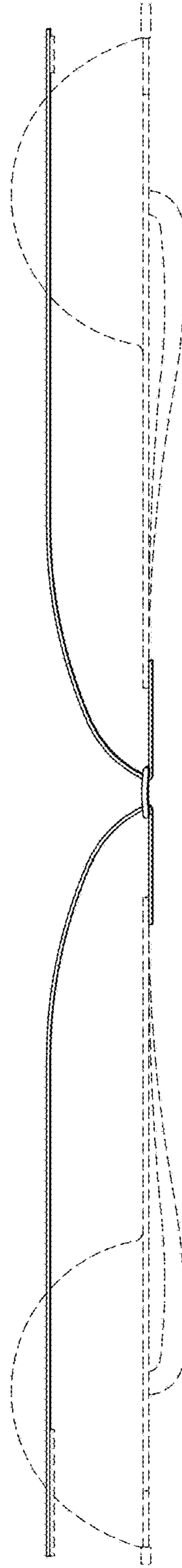


FIG. 46



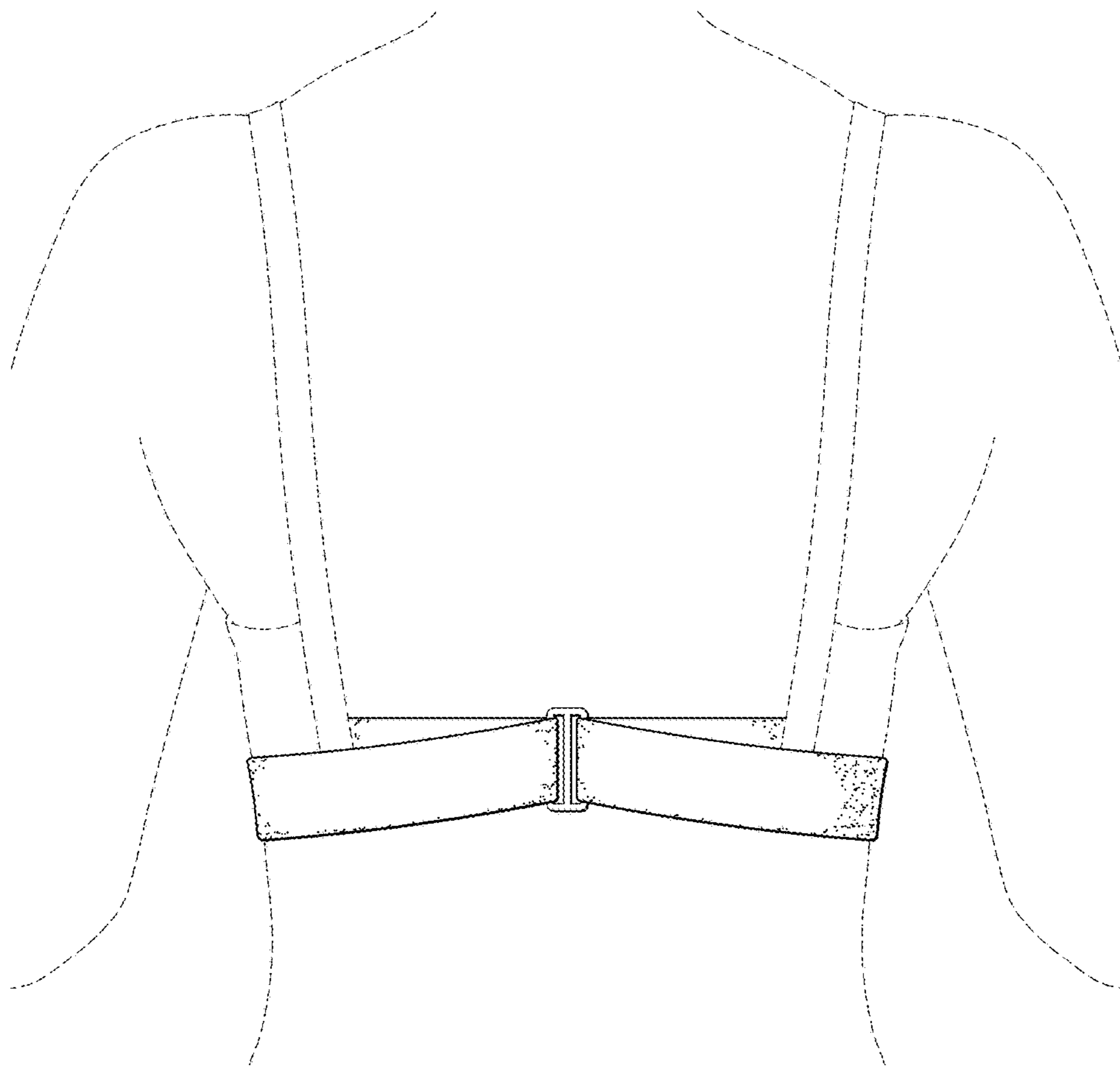


FIG. 47

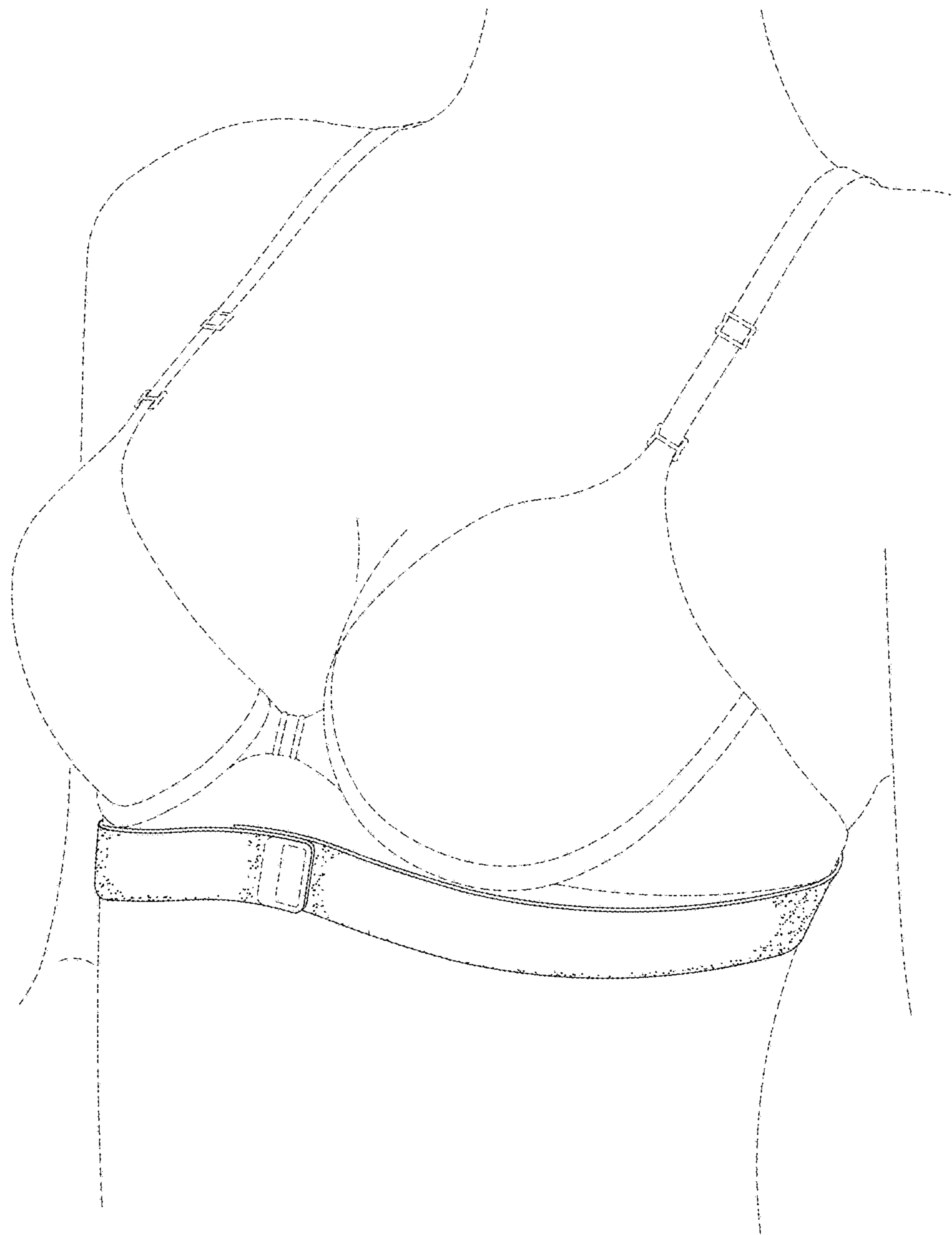


FIG. 48