



US00D865315S

(12) **United States Design Patent** (10) **Patent No.:** **US D865,315 S**  
**King et al.** (45) **Date of Patent:** **\*\* \*Oct. 29, 2019**

(54) **PARKING PAY STATION VIDEO DISPLAY CAP**

(71) Applicant: **IPS Group Inc.**, San Diego, CA (US)

(72) Inventors: **David William King**, Rancho Santa Fe, CA (US); **Alexander Schwarz**, San Diego, CA (US); **David Andrew Jones**, Beecroft (AU); **Choor Hong Tan**, Wentworth Point (AU)

(73) Assignee: **IPS GROUP INC.**, San Diego, CA (US)

(\*) Notice: This patent is subject to a terminal disclaimer.

(\*\*) Term: **15 Years**

(21) Appl. No.: **29/602,241**

(22) Filed: **Apr. 28, 2017**

(51) **LOC (12) Cl.** ..... **99-00**

(52) **U.S. Cl.**  
USPC ..... **D99/43**

(58) **Field of Classification Search**

USPC ..... D99/28, 34, 35, 36, 43, 99;  
D14/300-302, 305, 307, 900-902, 496,  
D14/125, 126, 239; D18/3.1-3.3,  
D18/4.1-4.6, 12.1-12.3; D21/324, 325,  
D21/329, 369, 370; 101/66; 109/1 R,  
109/1 V, 2, 23, 24.1, 25, 58, 58.5, 66;  
446/8-13; 705/16, 17, 18, 42, 43, 45;  
235/51, 379, 380, 382  
CPC .. G06Q 20/10; G06Q 20/108; G06Q 20/1085;  
G06Q 20/18; G07D 1/00; G07D 1/02;  
G07D 1/04; G07D 1/06; G07D 11/00;  
G07D 9/002; G07D 9/04; G07F 19/20;  
G07F 19/201; G07F 19/202; G07F  
19/203; G07F 19/204; G07F 19/205;  
G07F 19/21; G07F 19/00; G07F 7/04;  
G07F 5/00; G07F 1/00; E05G 7/001;  
E05G 1/006; A63H 33/00; A63G 33/005

See application file for complete search history.

(56) **References Cited**

U.S. PATENT DOCUMENTS

D388,227 S	12/1997	Dallman	
D400,684 S	11/1998	Dallman	
5,903,520 A	5/1999	Dee et al.	
D423,181 S *	4/2000	Dallman	..... D99/28
D423,755 S *	4/2000	Ha	..... D14/902
D624,274 S *	9/2010	Pendleton	..... D6/707.2
D735,437 S *	7/2015	Randall	..... D99/28

(Continued)

OTHER PUBLICATIONS

Co-pending U.S. Appl. No. 29/602,232, filed Apr. 28, 2017.

(Continued)

*Primary Examiner* — Elizabeth J Oswecki

(74) *Attorney, Agent, or Firm* — Wilson Sonsini Goodrich & Rosati

(57) **CLAIM**

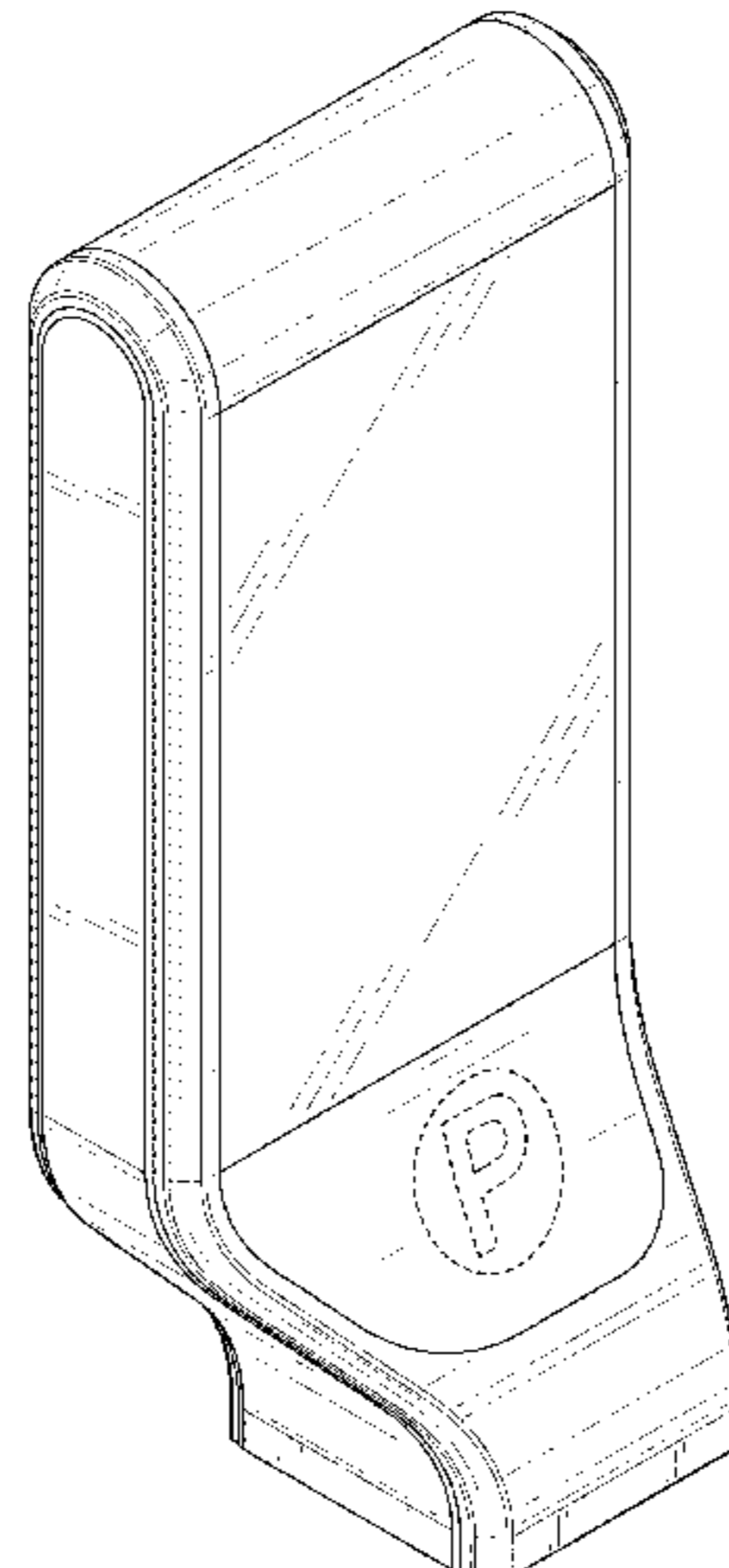
The ornamental design for a parking pay station video display cap, as shown and described.

**DESCRIPTION**

FIG. 1 is a top front perspective view of a parking pay station video display cap, showing our new design;  
FIG. 2 is a front elevational view thereof;  
FIG. 3 is a rear elevational view thereof;  
FIG. 4 is a left side elevational view thereof;  
FIG. 5 is a right side elevational view thereof;  
FIG. 6 is a top plan view thereof;  
FIG. 7 is a bottom plan view thereof; and,  
FIG. 8 is a top front perspective view thereof, shown in a used condition mounted on a parking pay station shown in broken lines.

The broken lines shown in FIG. 8 of the entire parking pay station form no part of the claimed design.

**1 Claim, 8 Drawing Sheets**



(56)

**References Cited**

U.S. PATENT DOCUMENTS

D735,438	S	*	7/2015	Randall	.....	D99/28
D735,440	S	*	7/2015	Randall	.....	D99/28
D735,963	S	*	8/2015	Randall	.....	D99/28
D735,965	S	*	8/2015	Randall	.....	D99/28
D746,015	S	*	12/2015	King	.....	D99/28
D748,364	S	*	1/2016	King	.....	D99/28
D748,888	S	*	2/2016	King	.....	D99/28
D762,040	S	*	7/2016	King	.....	D99/28
D779,771	S	*	2/2017	King	.....	D99/28
D779,772	S	*	2/2017	King	.....	D99/28
D779,773	S	*	2/2017	King	.....	D99/28
D779,774	S	*	2/2017	King	.....	D99/28
D781,024	S	*	3/2017	King	.....	D99/28
D795,523	S	*	8/2017	King	.....	D99/28
D802,874	S	*	11/2017	King	.....	D99/28
D802,875	S	*	11/2017	King	.....	D99/28
D802,876	S	*	11/2017	King	.....	D99/28
D802,877	S	*	11/2017	King	.....	D99/28
D802,878	S	*	11/2017	King	.....	D99/28
D813,059	S	*	3/2018	MacKay	.....	D10/42
2007/0276724	A1	*	11/2007	Catt	.....	G07B 15/00
						705/13
2015/0371483	A1	*	12/2015	Sun	.....	G07F 1/046
						194/347
2017/0034600	A1		2/2017	King et al.		
2017/0083043	A1		3/2017	Bowers et al.		
2018/0322534	A1		11/2018	King et al.		

OTHER PUBLICATIONS

Co-pending U.S. Appl. No. 29/602,237, filed Apr. 28, 2017.  
 Co-pending U.S. Appl. No. 29/602,239, filed Apr. 28, 2017.  
 Co-pending U.S. Appl. No. 29/602,240, filed Apr. 28, 2017.  
 Co-pending U.S. Appl. No. 29/602,934, filed May 4, 2017.

\* cited by examiner

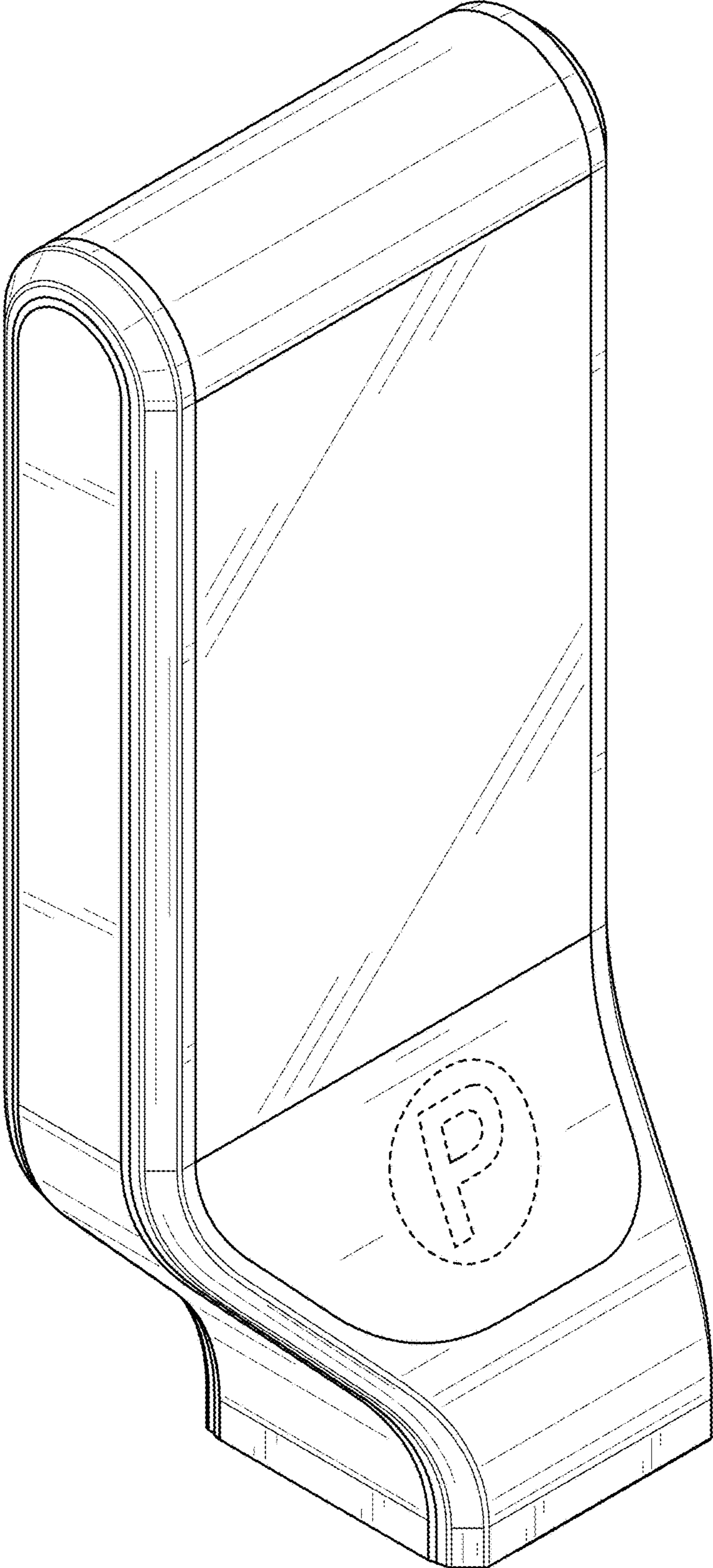


FIG. 1

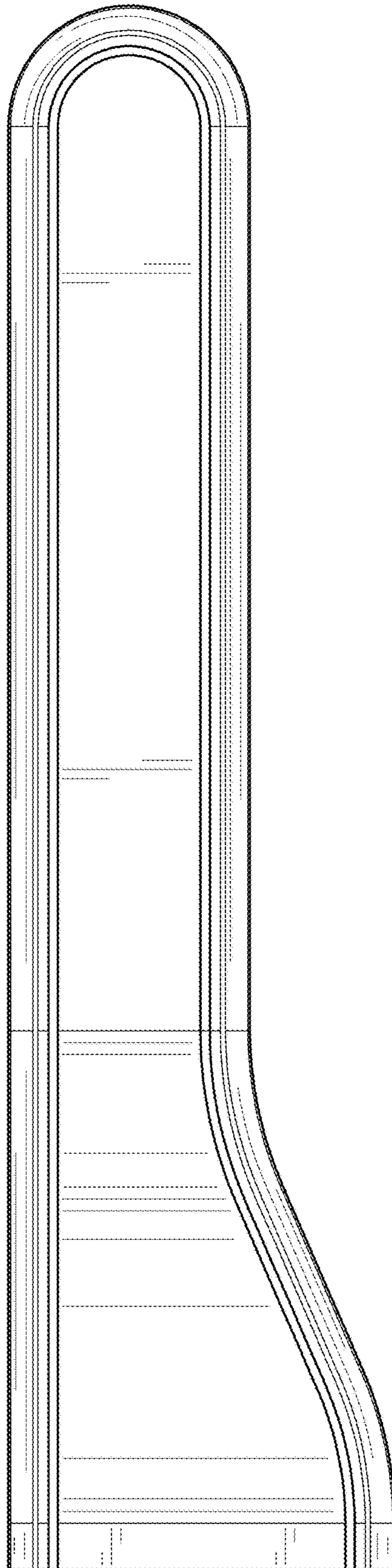


FIG. 2



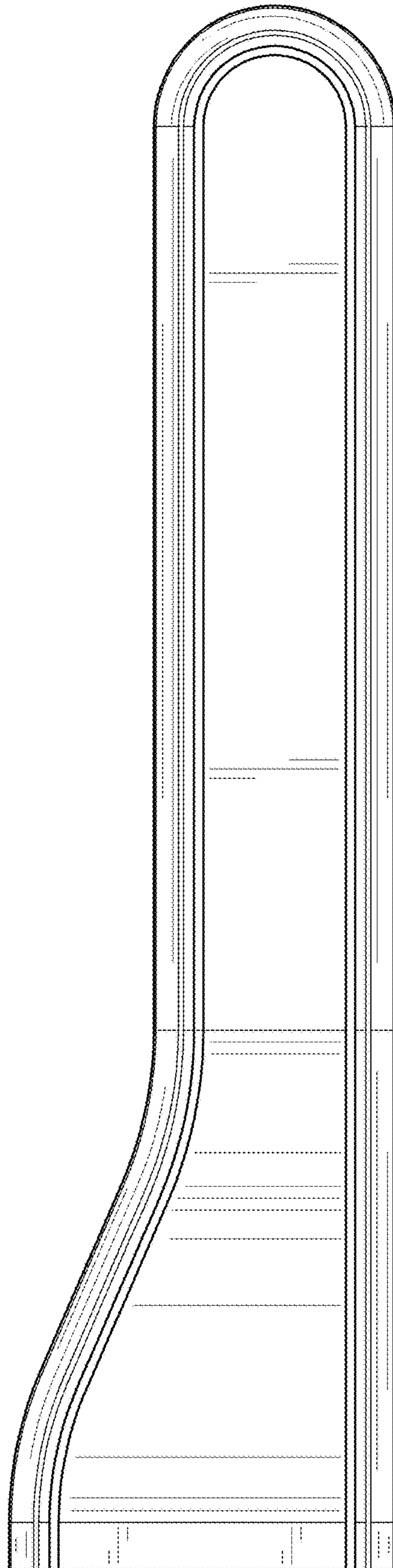


FIG. 3

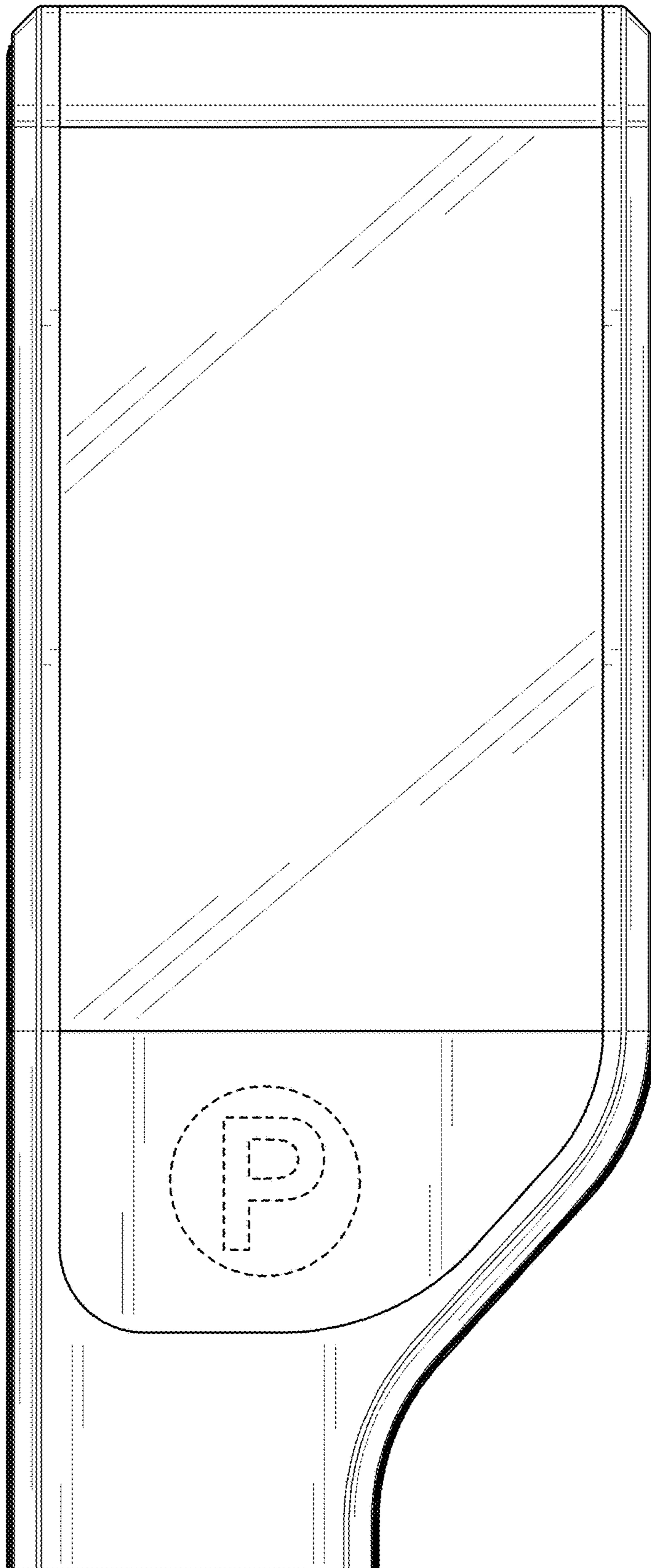


FIG. 4

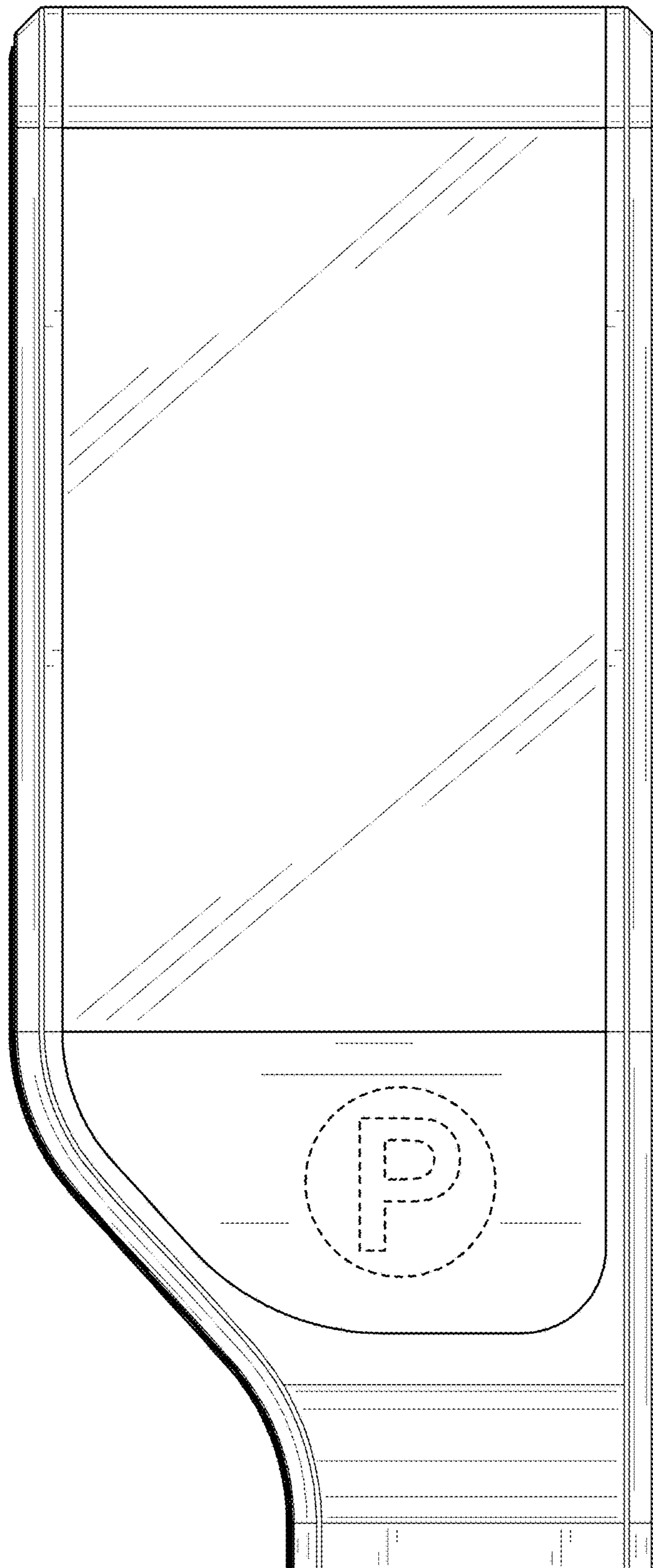


FIG. 5

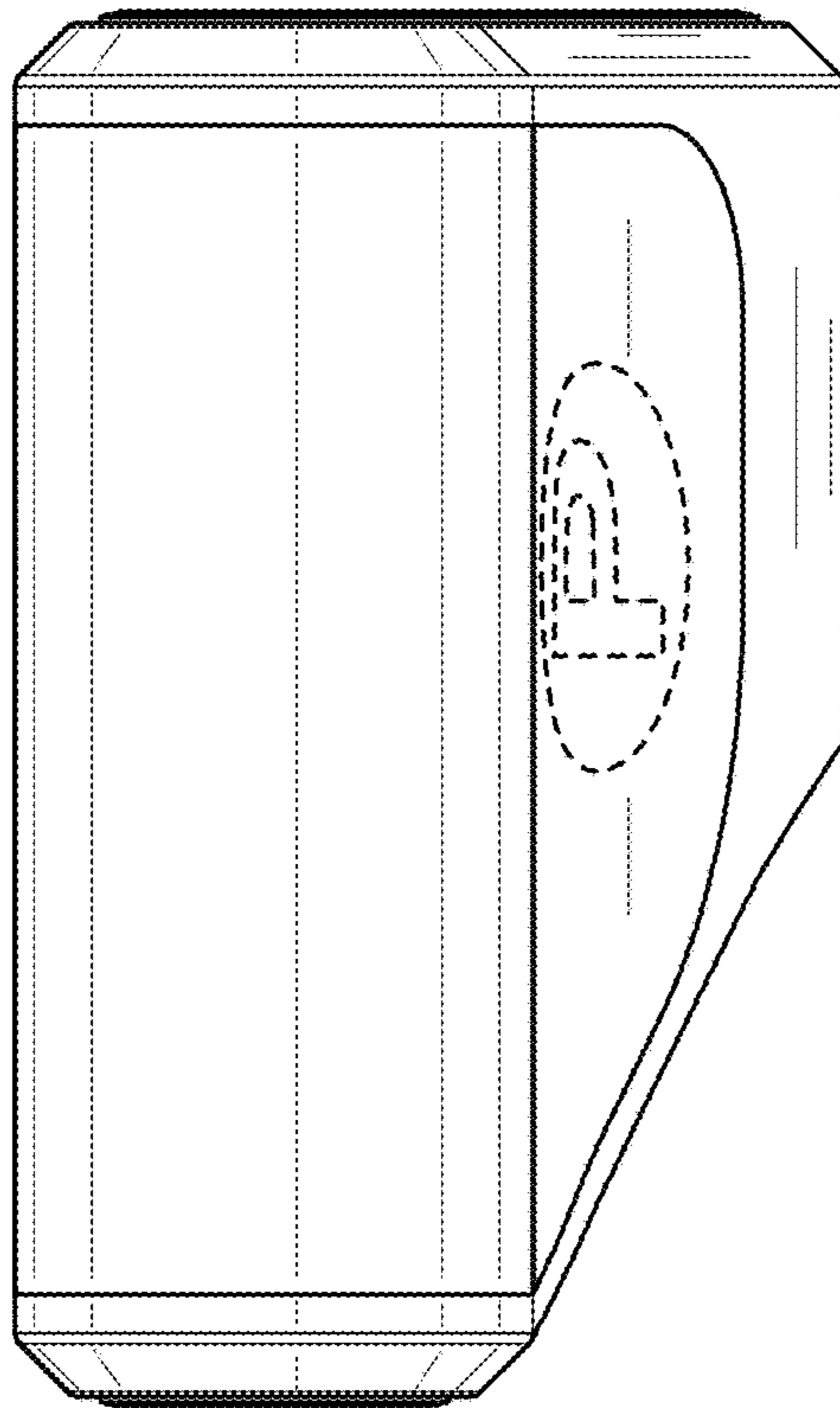


FIG. 6



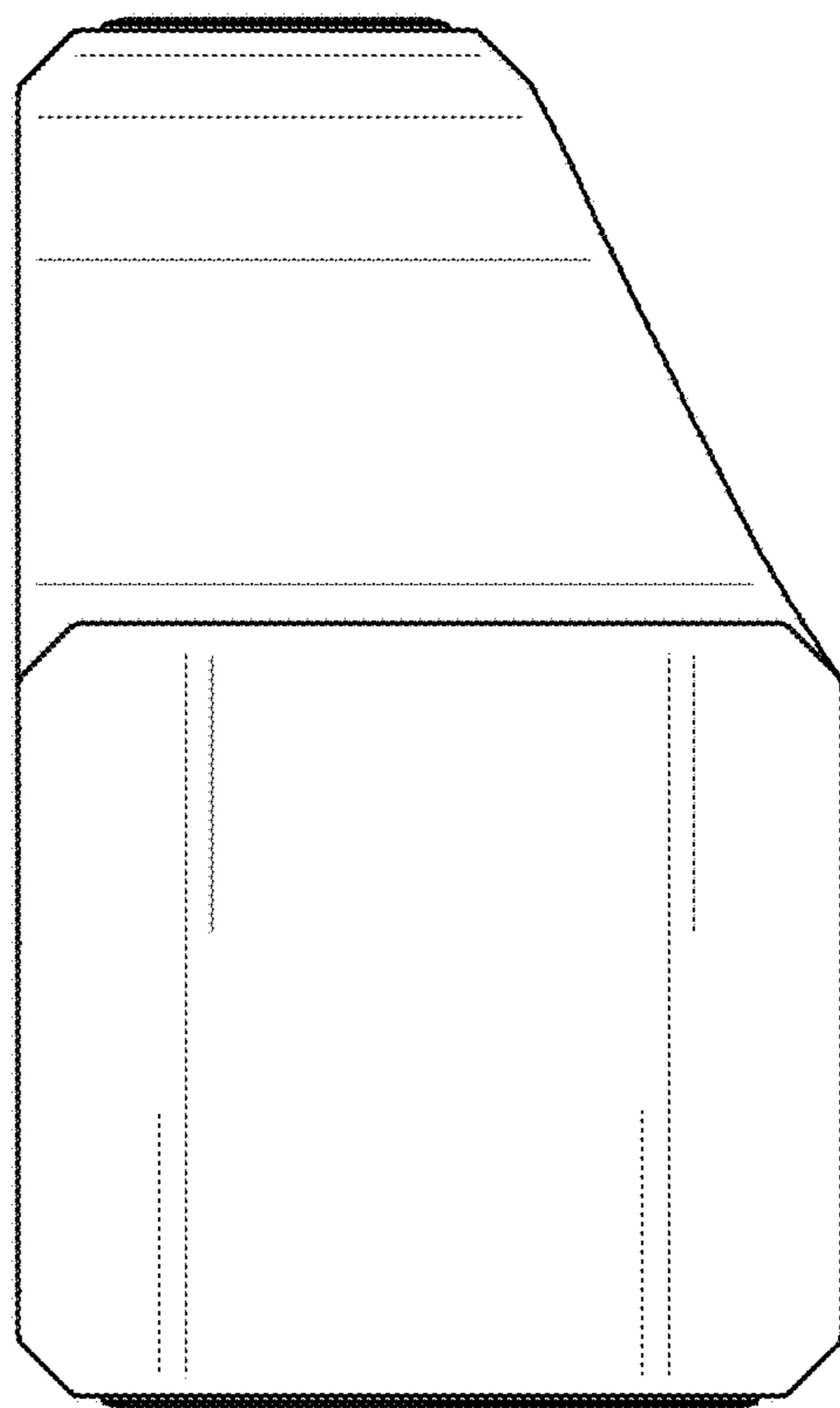


FIG. 7

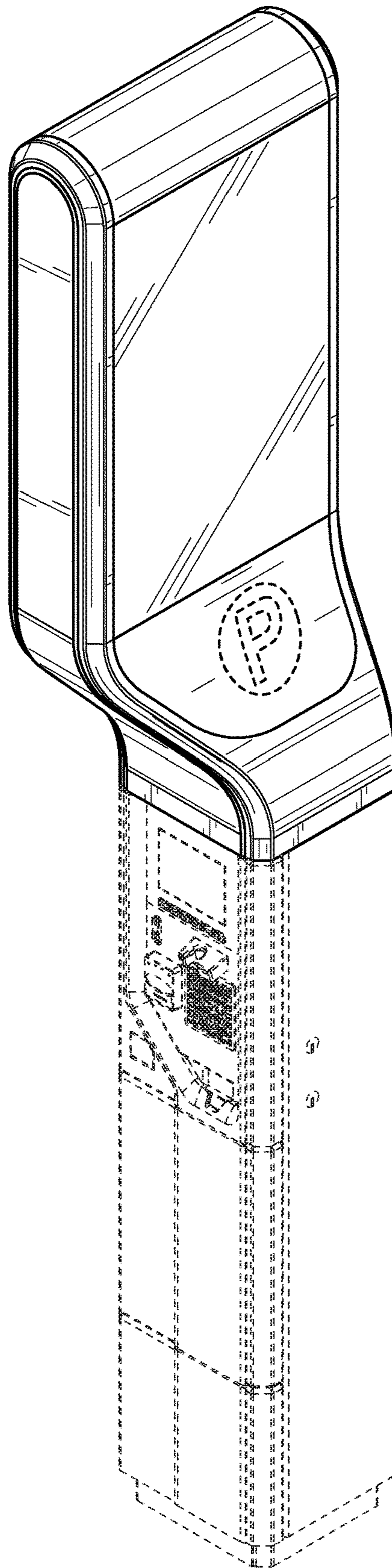


FIG. 8